



US00D854665S

(12) **United States Design Patent** (10) **Patent No.:** **US D854,665 S**
Simon (45) **Date of Patent:** **** Jul. 23, 2019**

(54) **HYDRAULIC GREASE COUPLER**

D333,511 S * 2/1993 Mikiya D13/151
8,915,331 B2 * 12/2014 Alekseyev H02P 7/08
184/105.2
2009/0255760 A1 * 10/2009 Prest B25H 1/0064
184/105.2

(71) Applicant: **MATO GMBH & CO. KG**, Muhlheim
am Main (DE)

(72) Inventor: **Steffen Simon**, Hasselroth (DE)

(Continued)

(73) Assignee: **MATO GMBH & CO. KG**, Muhlheim
am Main (DE)

OTHER PUBLICATIONS

(**) Term: **15 Years**

LockNLube Grease Gun Coupler Posted by LockNLube on Dec. 9,
2013 found on Jun. 7, 2018 at https://www.amazon.com/dp/B00H7LPKKU/ref=sxbs_sxwds-stvpv2_1?pf_rd_m=ATVPDKIKX0DER&pf_rd_p=3233965245922079678&pd_rd_wg=BUtvV&pf_rd_r=5BVGSGRXMWGNXET1ZFIV&pf_rd_s=desktop-sx-bottom-slot&pf_rd_t=301&pd_rd_i=B00H7LPKKU&pd_rd_w=d.*

(21) Appl. No.: **35/503,409**

(22) Filed: **Mar. 9, 2017**

Primary Examiner — Eliza Z Bennett-Hattan
(74) *Attorney, Agent, or Firm* — Christopher C. Dremann,
P.C.; Christopher C. Dremann

(80) **Hague Agreement Data**

Int. Filing Date: **Mar. 9, 2017**
Int. Reg. No.: **DM/096784**
Int. Reg. Date: **Mar. 9, 2017**
Int. Reg. Pub. Date: **Jul. 21, 2017**

(57) **CLAIM**

(30) **Foreign Application Priority Data**

Sep. 12, 2016 (EM) 003 375 856-0001
Sep. 12, 2016 (EM) 003 375 856-0003

The ornamental design for a hydraulic grease coupler, as
shown and described.

(51) **LOC (11) Cl.** **23-01**

(52) **U.S. Cl.**
USPC **D23/262**

DESCRIPTION

(58) **Field of Classification Search**
USPC D24/110.6, 111, 137, 138, 133, 108, 112,
D24/129; D8/45, 382; D23/262, 421,
D23/245
CPC F16N 3/12
See application file for complete search history.

- 1.-2. Hydraulic grease couplers
- 1.1 : Perspective
- 1.2 : Left
- 1.3 : Top
- 1.4 : Bottom
- 1.5 : Front
- 1.6 : Back
- 2.1 : Perspective
- 2.2 : Left
- 2.3 : Top
- 2.4 : Bottom
- 2.5 : Front
- 2.6 : Back

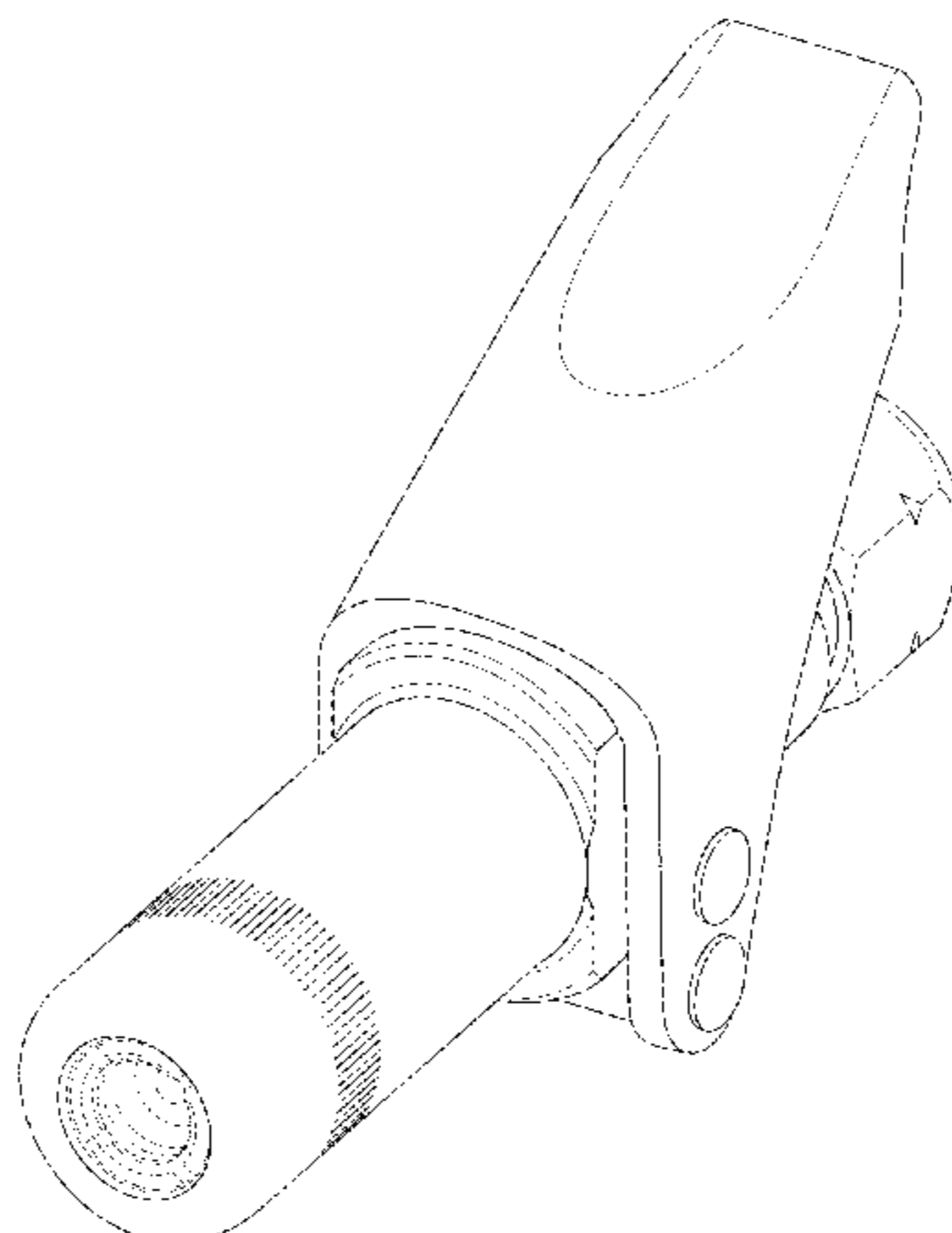
(56) **References Cited**

U.S. PATENT DOCUMENTS

D295,599 S * 5/1988 Shew D8/14.1
D299,167 S * 12/1988 Adair D24/138
D333,178 S * 2/1993 Novy 285/239
D333,179 S * 2/1993 Mikiya D23/262

Design 1 shows a hydraulic grease coupler (with a rotary
connection) to couple an outlet of a grease gun and a grease

(Continued)



nipple; design 2 shows a hydraulic grease coupler (with a rotary connection) to couple an outlet of a grease gun and a grease nipple.

The portions of the hydraulic grease couplers shown in broken lines form no part of the claimed design.

1 Claim, 12 Drawing Sheets

(56)

References Cited

U.S. PATENT DOCUMENTS

2010/0300567	A1 *	12/2010	Svensson	E21B 33/038 137/614.05
2012/0267890	A1 *	10/2012	Gurney	F16L 37/138 285/308
2014/0265316	A1 *	9/2014	Mullin	F16L 37/23 285/315
2015/0184801	A1 *	7/2015	Gurney	F16K 15/183 222/318
2015/0233524	A1 *	8/2015	Kuo	F16N 19/00 222/386
2018/0142837	A1 *	5/2018	Boren	F16N 3/12

* cited by examiner

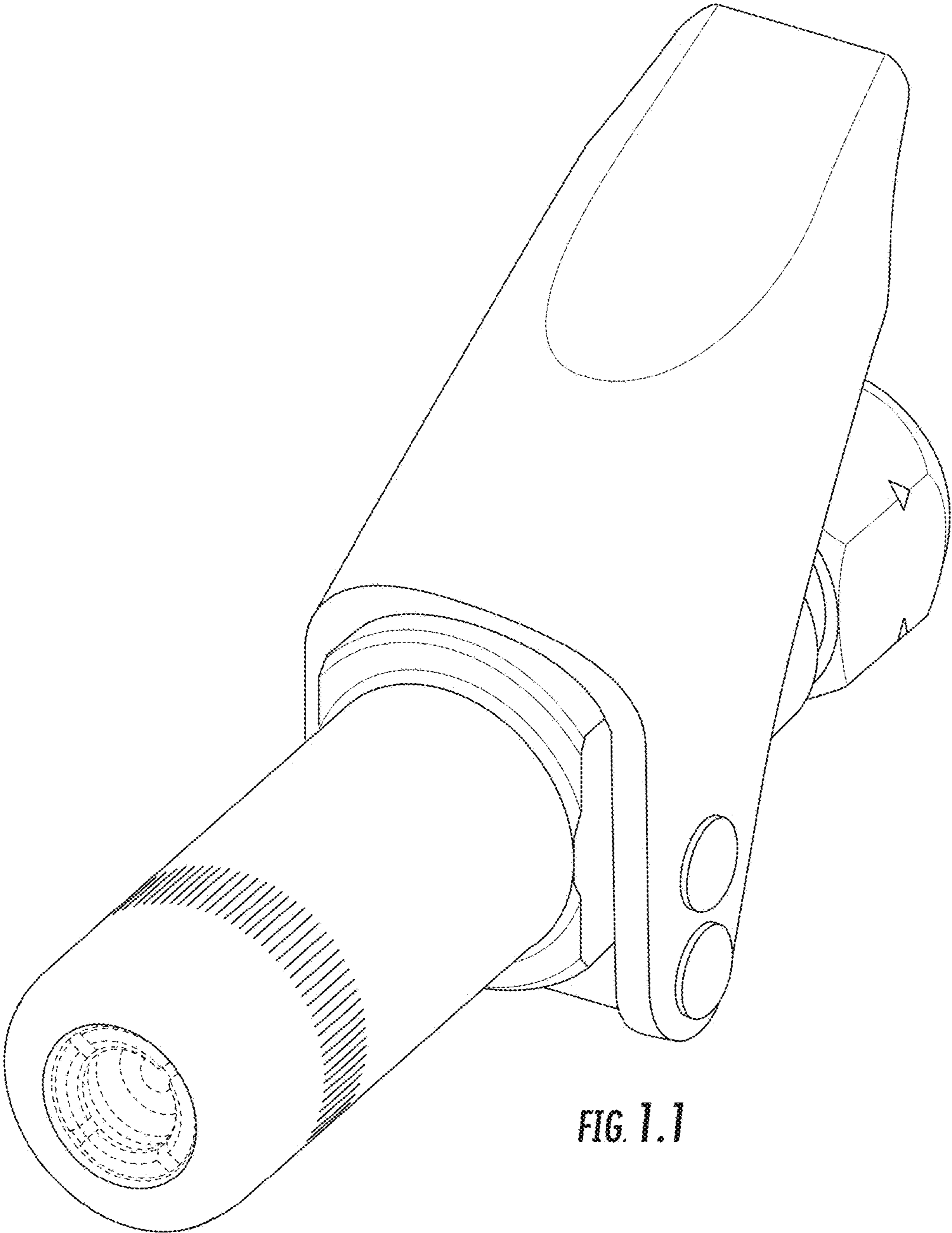


FIG. 1.1

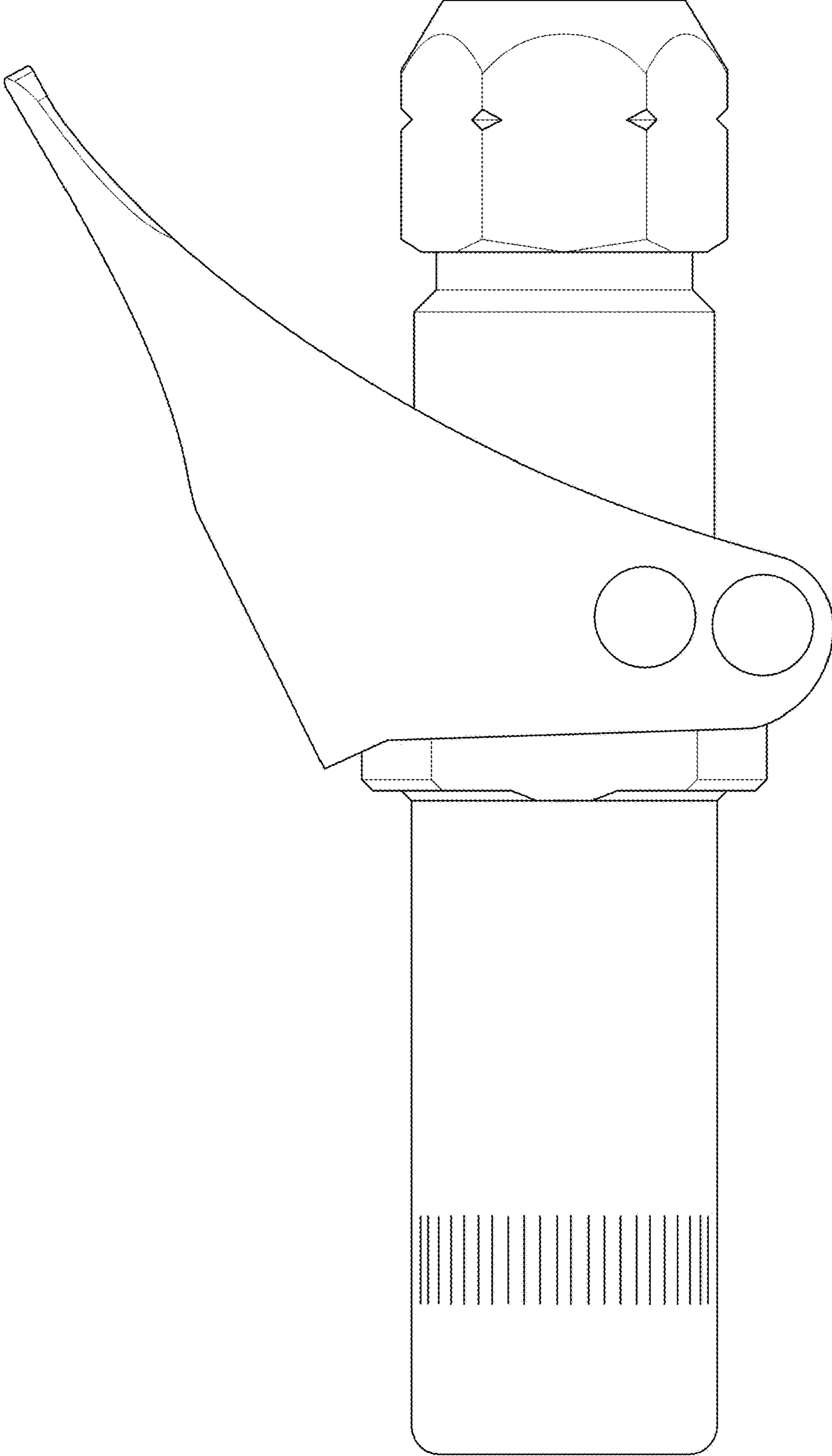


FIG. 1.2

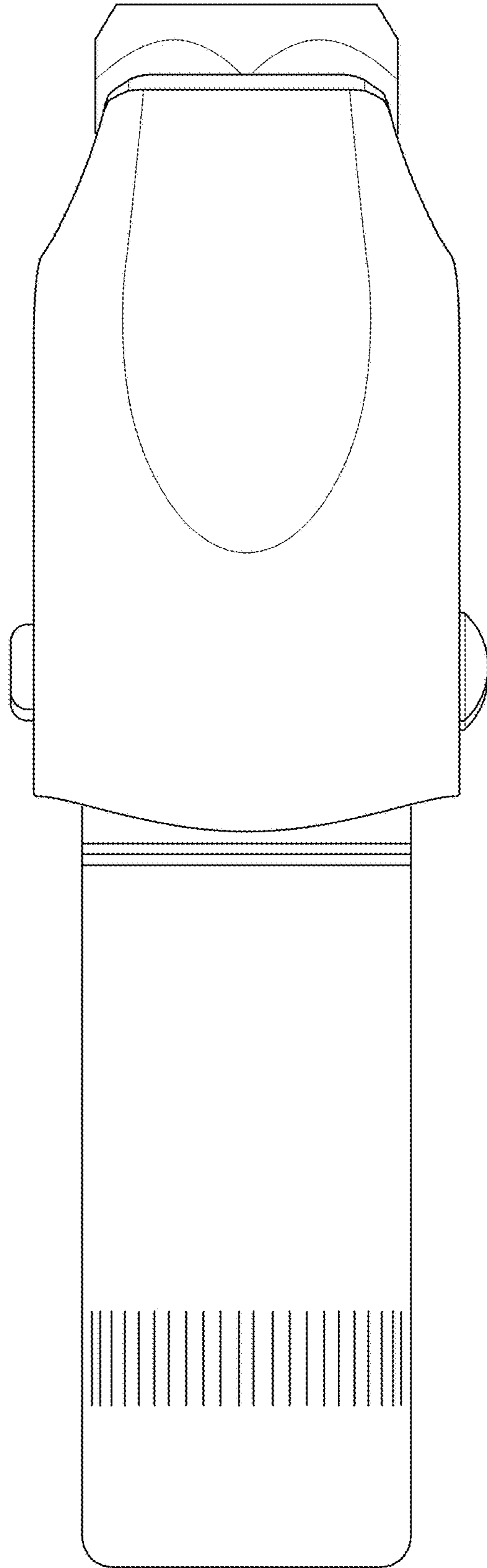


FIG. 1.3

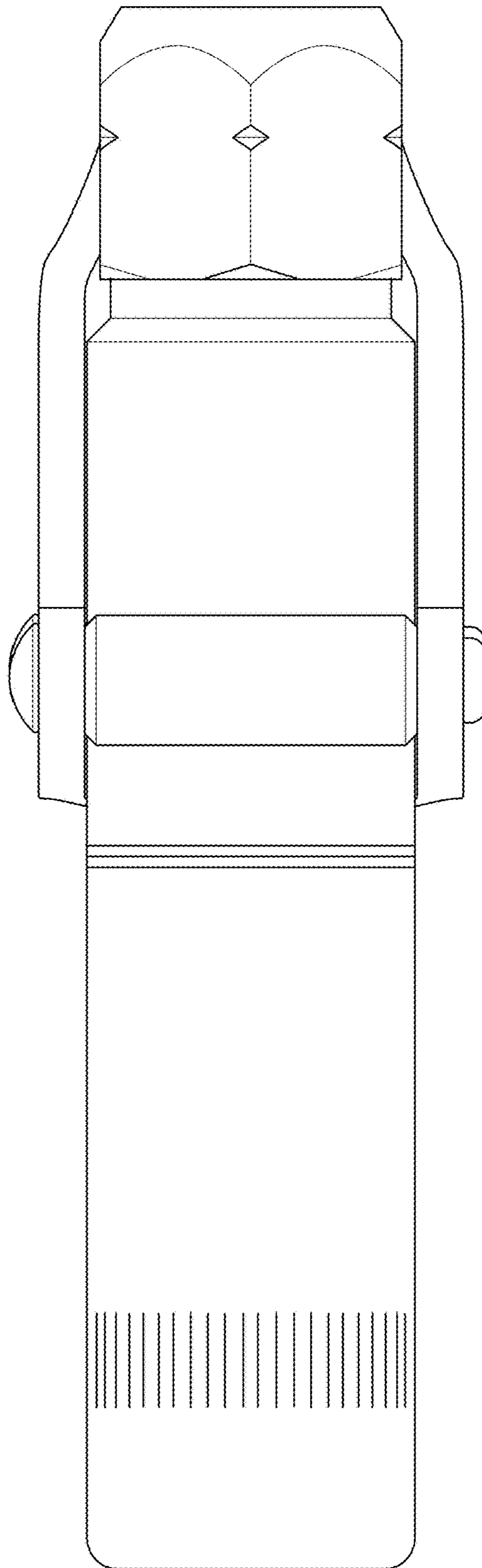


FIG. 1.4

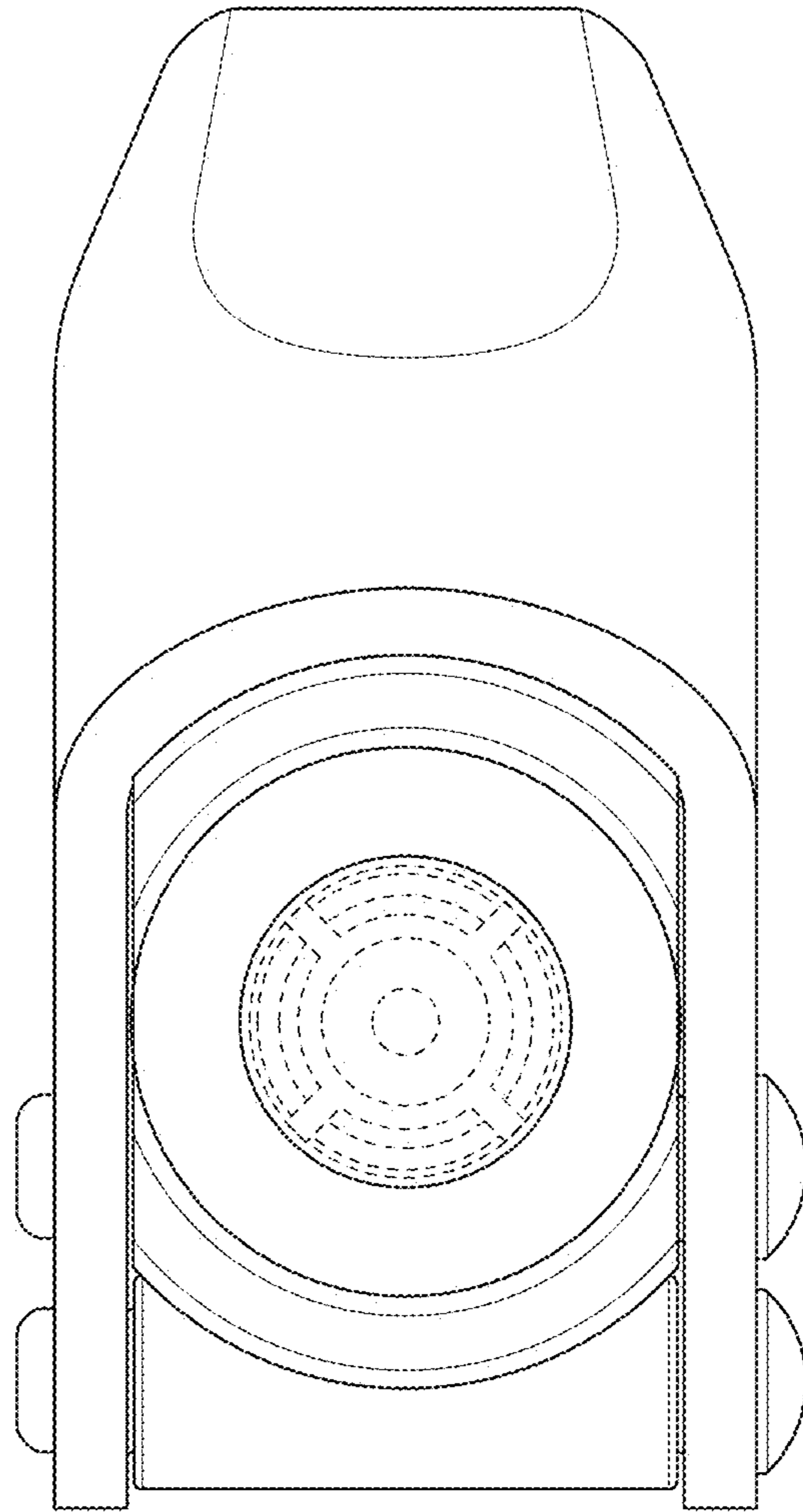


FIG. 1.5

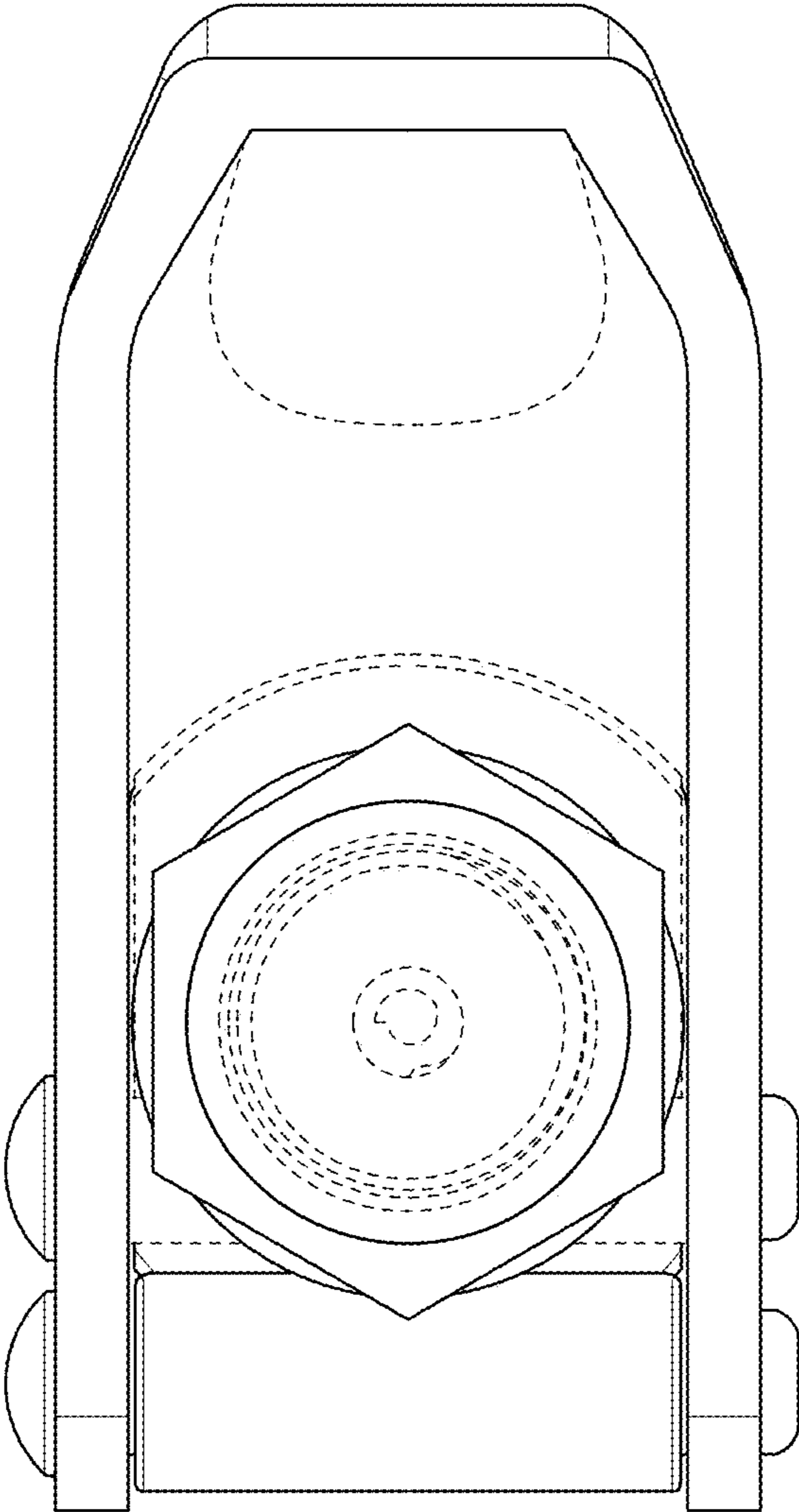


FIG. 1.6

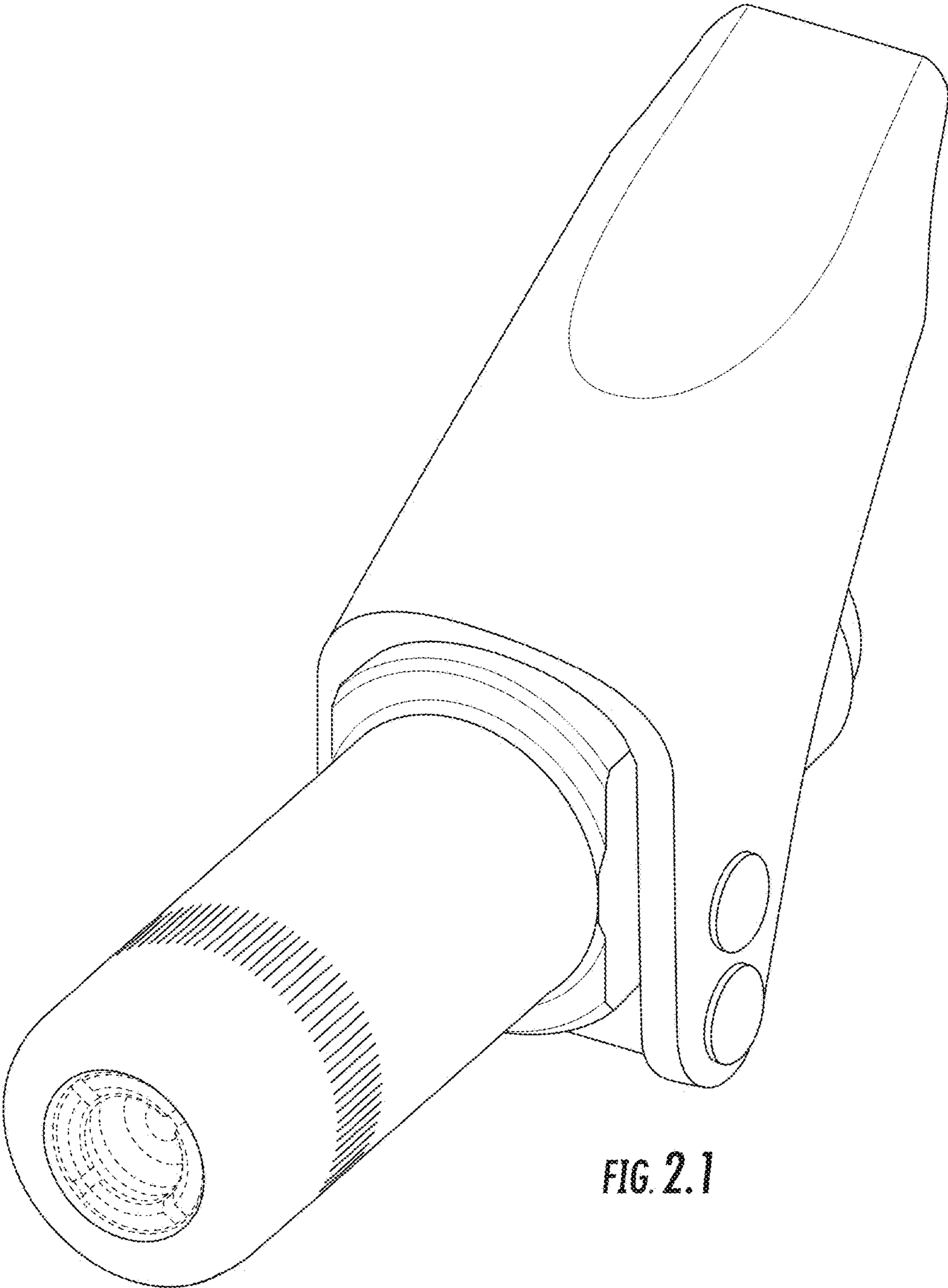


FIG. 2.1

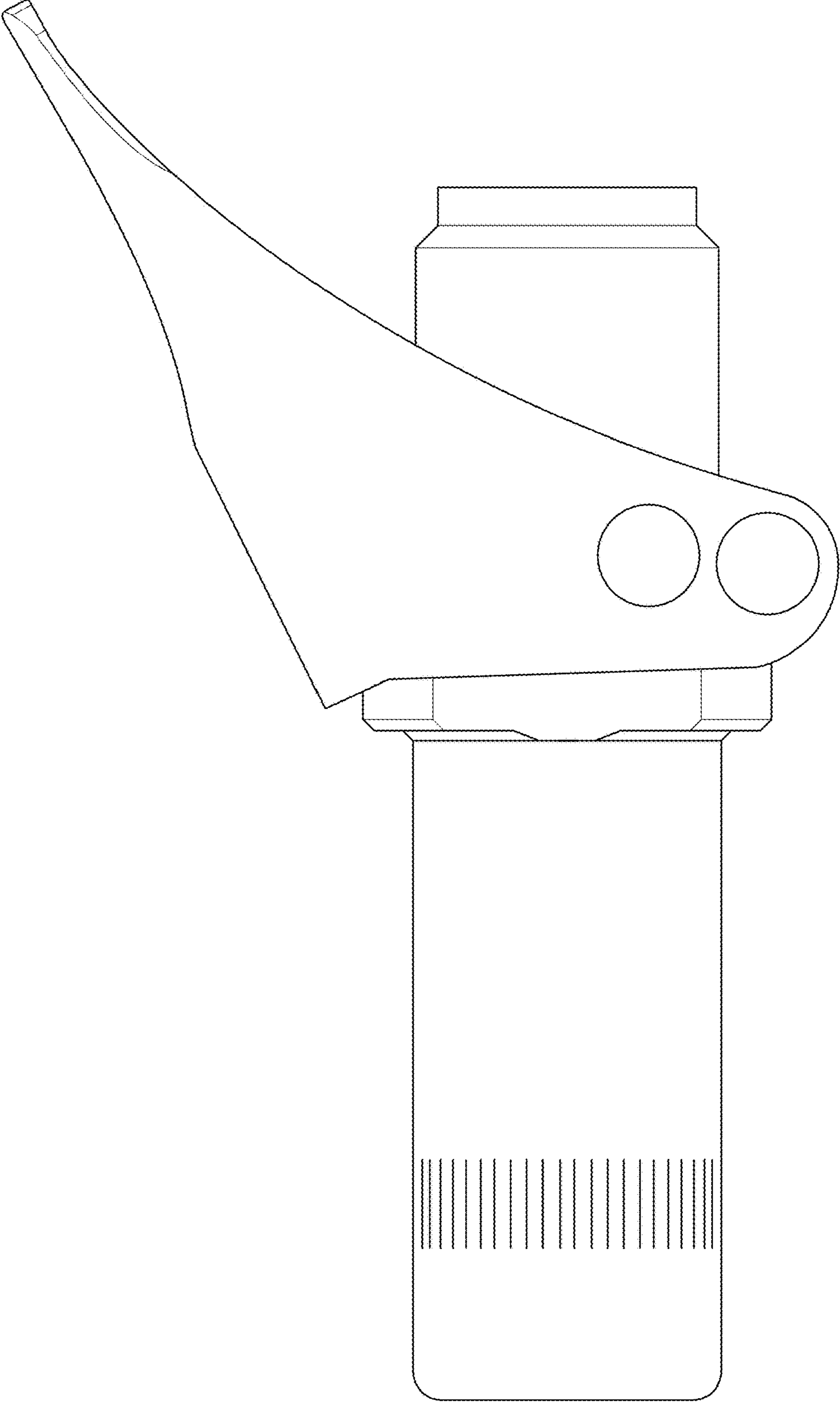


FIG. 2.2

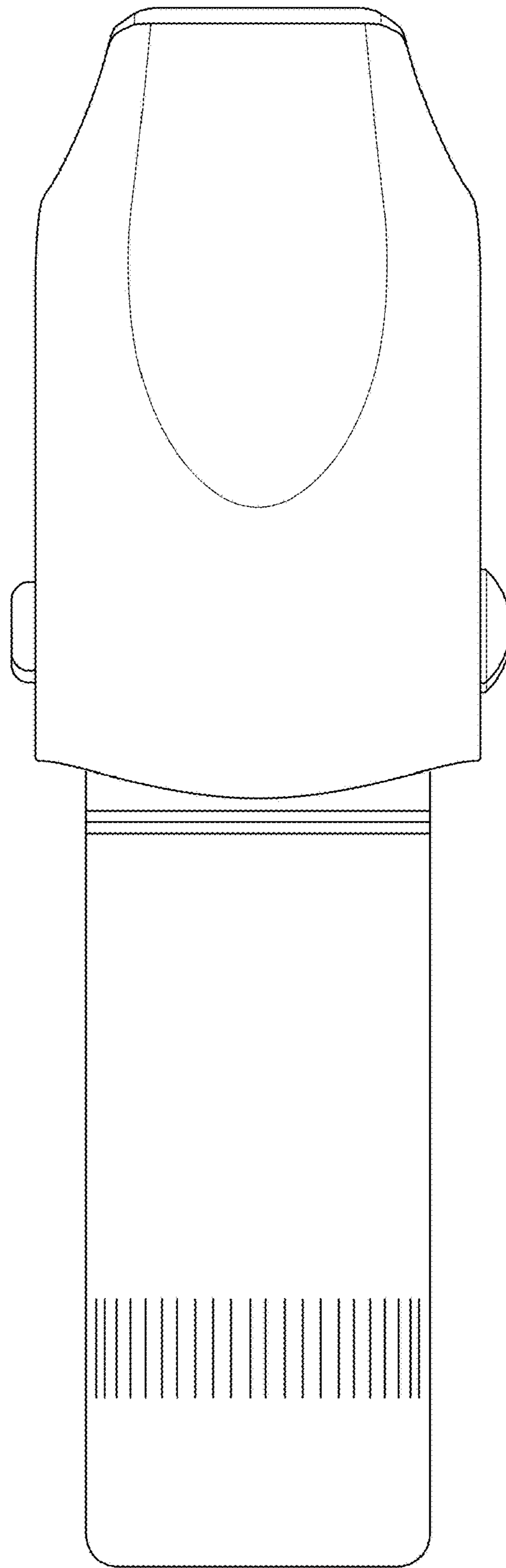


FIG. 2.3

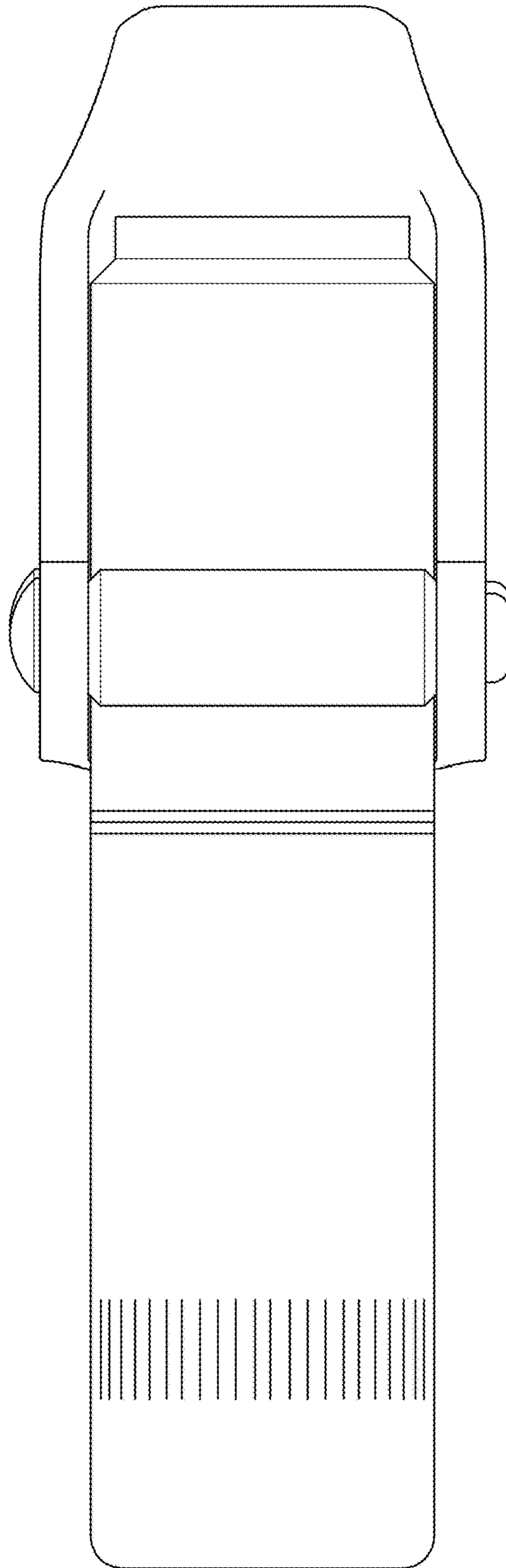


FIG. 2.4

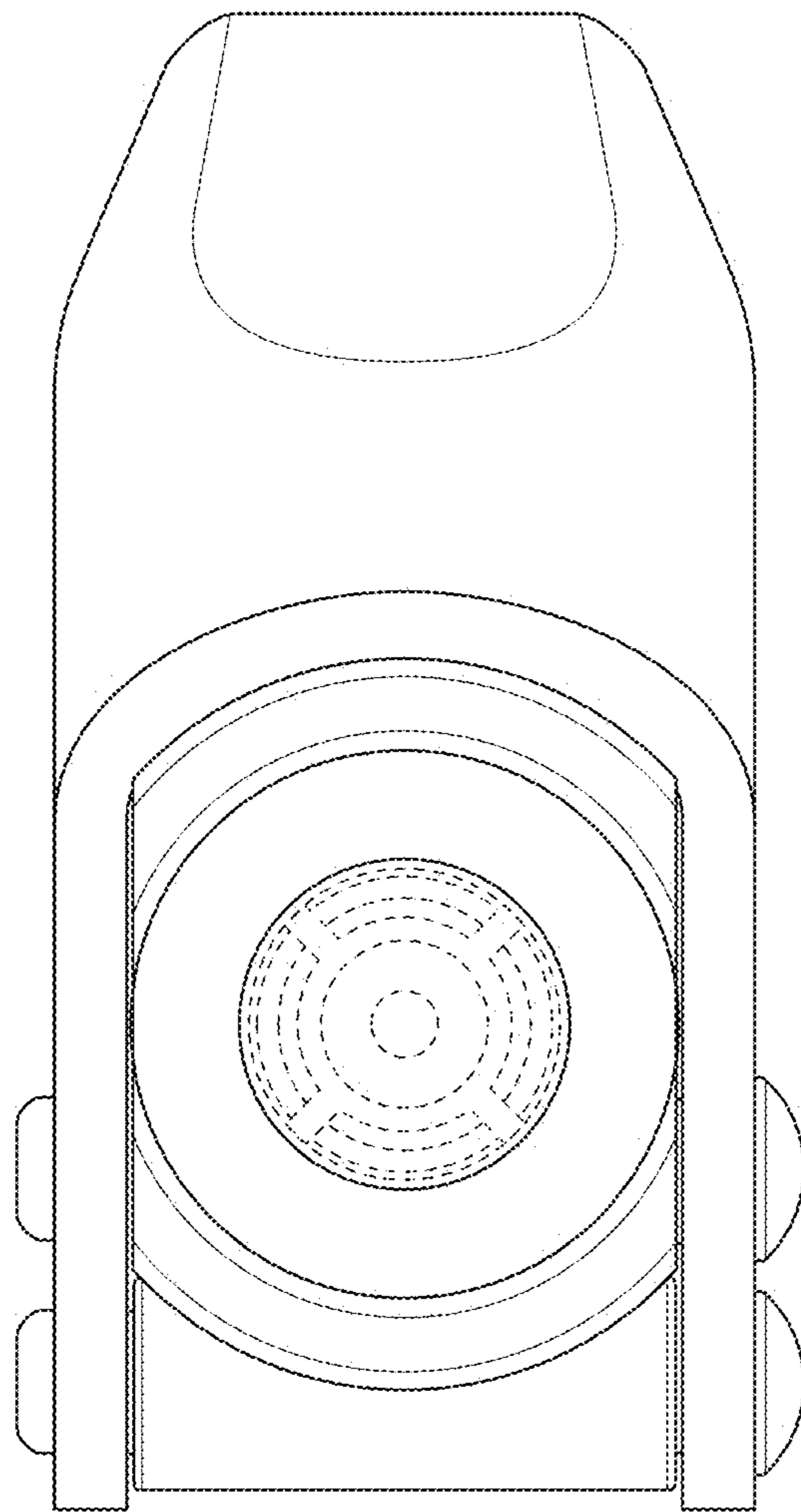


FIG. 2.5

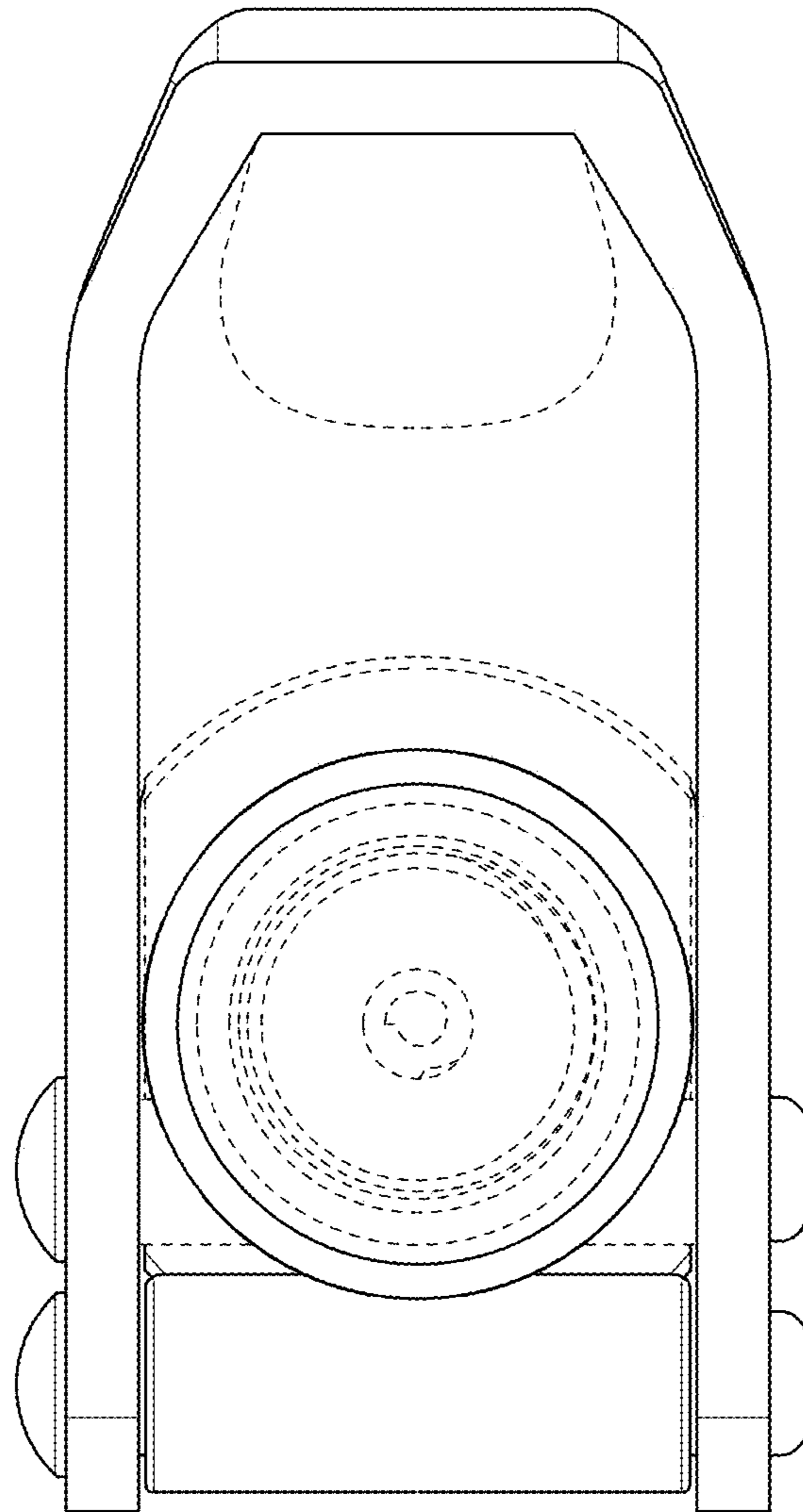


FIG. 2.6