



US00D854664S

(12) **United States Design Patent**  
**Chen**

(10) **Patent No.:** **US D854,664 S**

(45) **Date of Patent:** **\*\* Jul. 23, 2019**

(54) **FAUCET**

(71) Applicant: **Hui Chen**, Wenzhou (CN)

(72) Inventor: **Hui Chen**, Wenzhou (CN)

(\*\*) Term: **15 Years**

(21) Appl. No.: **29/643,386**

(22) Filed: **Apr. 8, 2018**

(51) **LOC (11) Cl.** ..... **23-01**

(52) **U.S. Cl.**  
USPC ..... **D23/255**

(58) **Field of Classification Search**  
USPC ..... D23/238-245, 249, 250, 252, 254-255,  
D23/257; 4/675-678  
CPC ..... Y10T 137/9464  
See application file for complete search history.

(56) **References Cited**

**U.S. PATENT DOCUMENTS**

D581,030 S *	11/2008	Fritz	.....	D23/255
D594,532 S *	6/2009	Schoenherr	.....	D23/238
D718,427 S *	11/2014	Fritz	.....	D23/257
D723,138 S *	2/2015	Ke	.....	D23/238

D790,670 S *	6/2017	Downey	.....	D23/255
D827,106 S *	8/2018	Rexach	.....	D23/255
D839,998 S *	2/2019	Chen	.....	D23/255
D840,513 S *	2/2019	Chen	.....	D23/255

\* cited by examiner

*Primary Examiner* — Eric L Goodman  
*Assistant Examiner* — Amy C Wierenga

(74) *Attorney, Agent, or Firm* — Raymond Y. Chan;  
David and Raymond Patent Firm

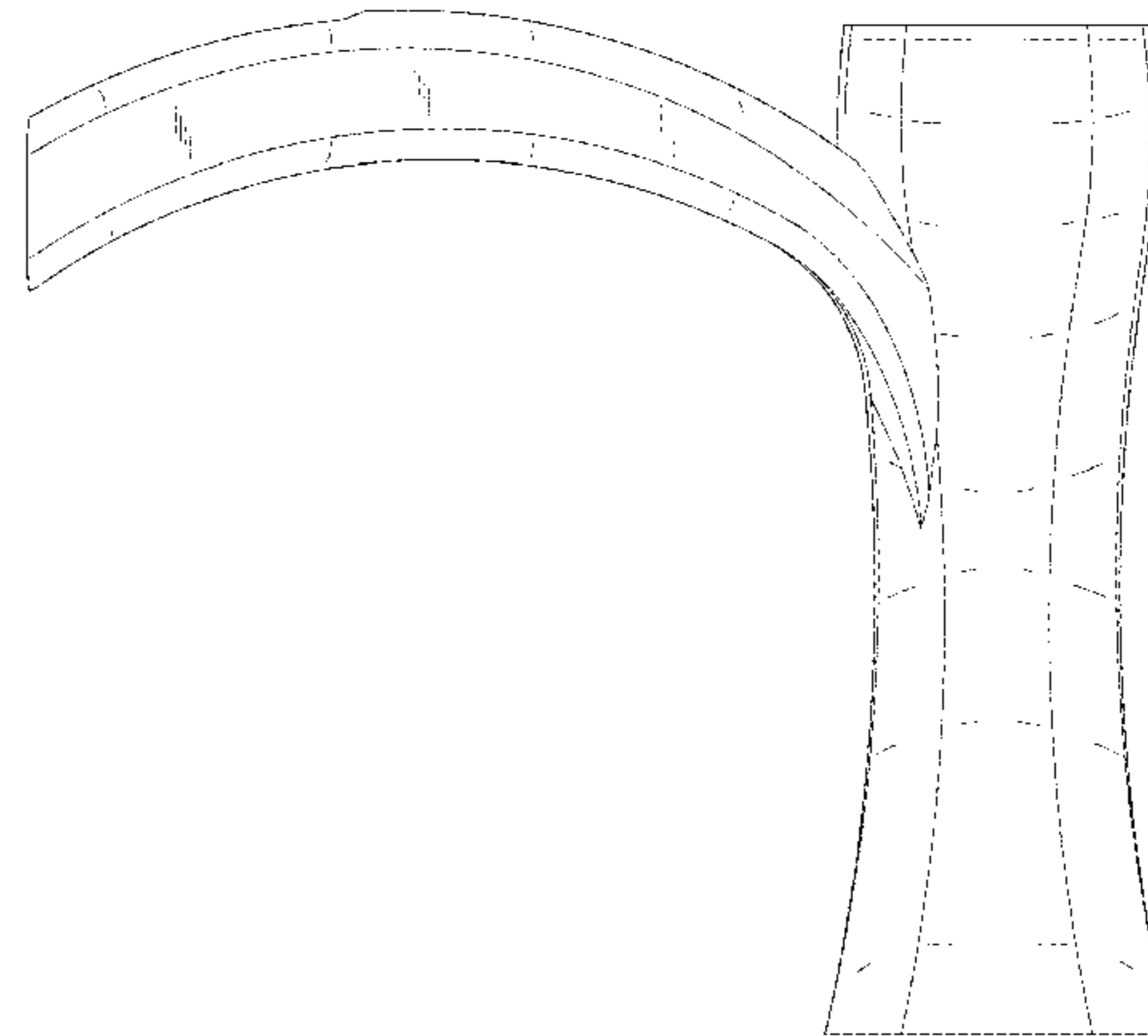
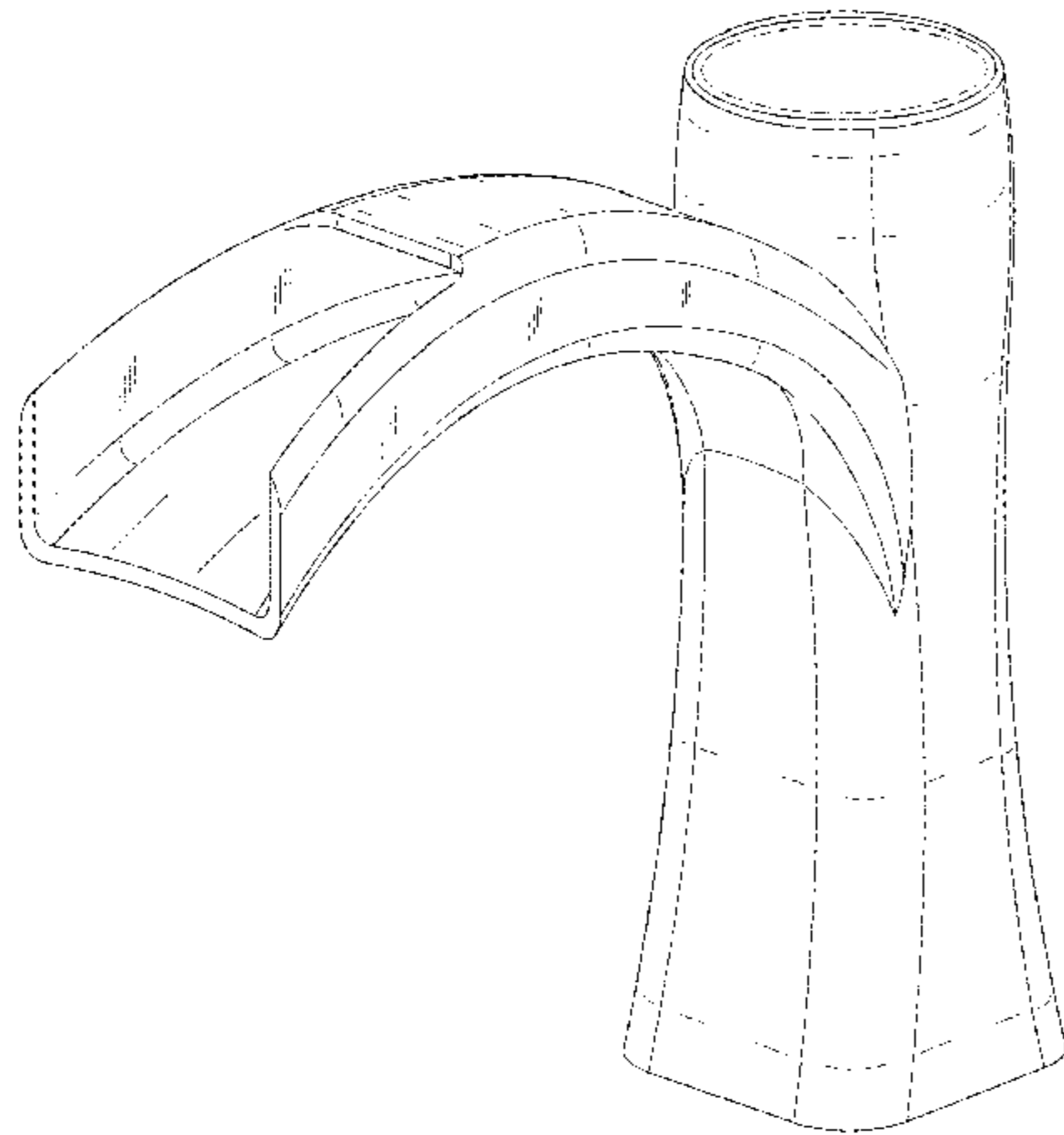
(57) **CLAIM**

The ornamental design for a faucet, as shown and described.

**DESCRIPTION**

FIG. 1 is a perspective view of the faucet showing my new design;  
FIG. 2 is a right view thereof;  
FIG. 3 is a left view thereof;  
FIG. 4 is a front view thereof;  
FIG. 5 is a rear view thereof;  
FIG. 6 is a top perspective view thereof; and,  
FIG. 7 is a bottom perspective view thereof.  
The broken lines represent portions of the faucet that form no part of the claim.

**1 Claim, 7 Drawing Sheets**



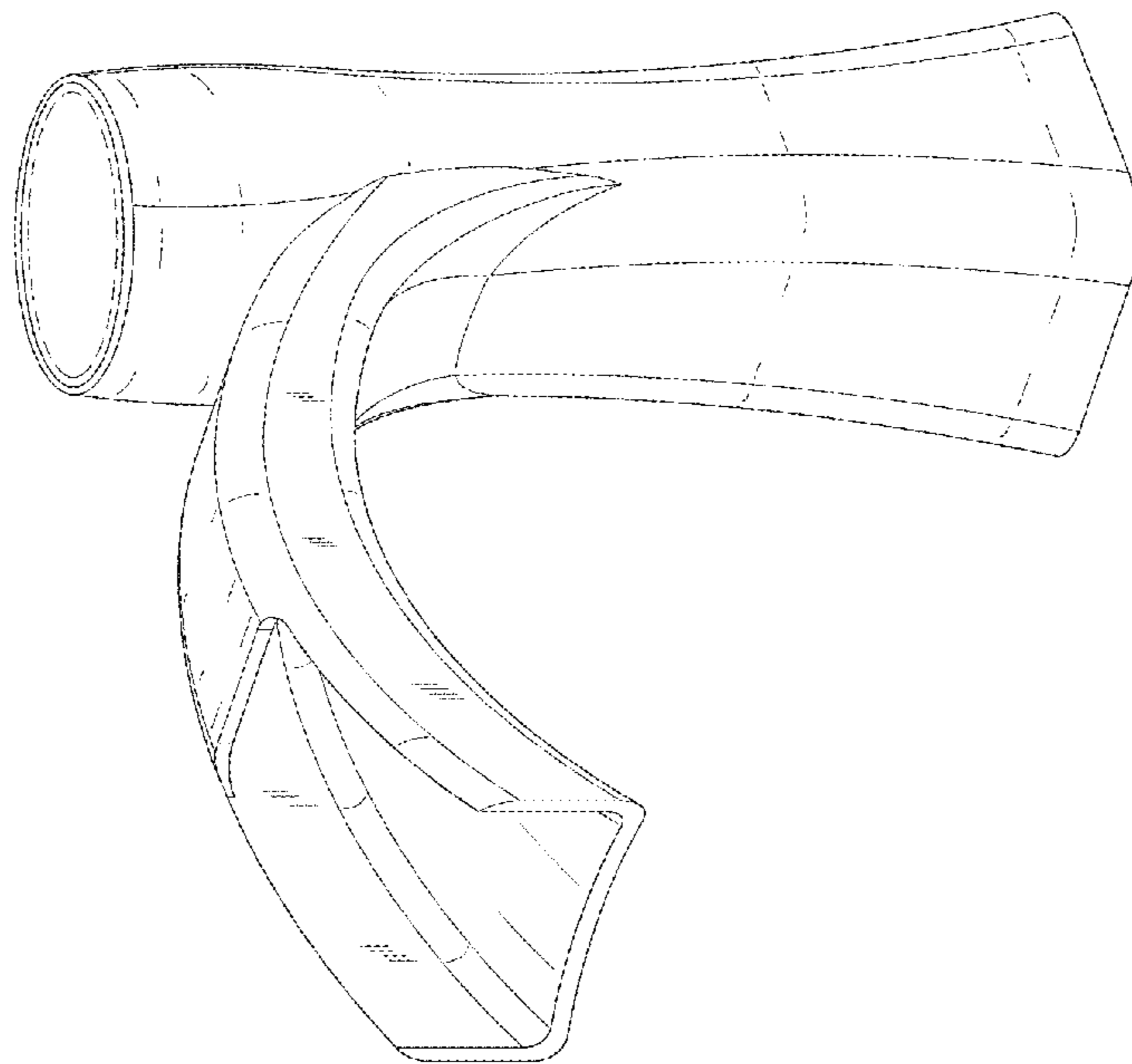


FIG.1

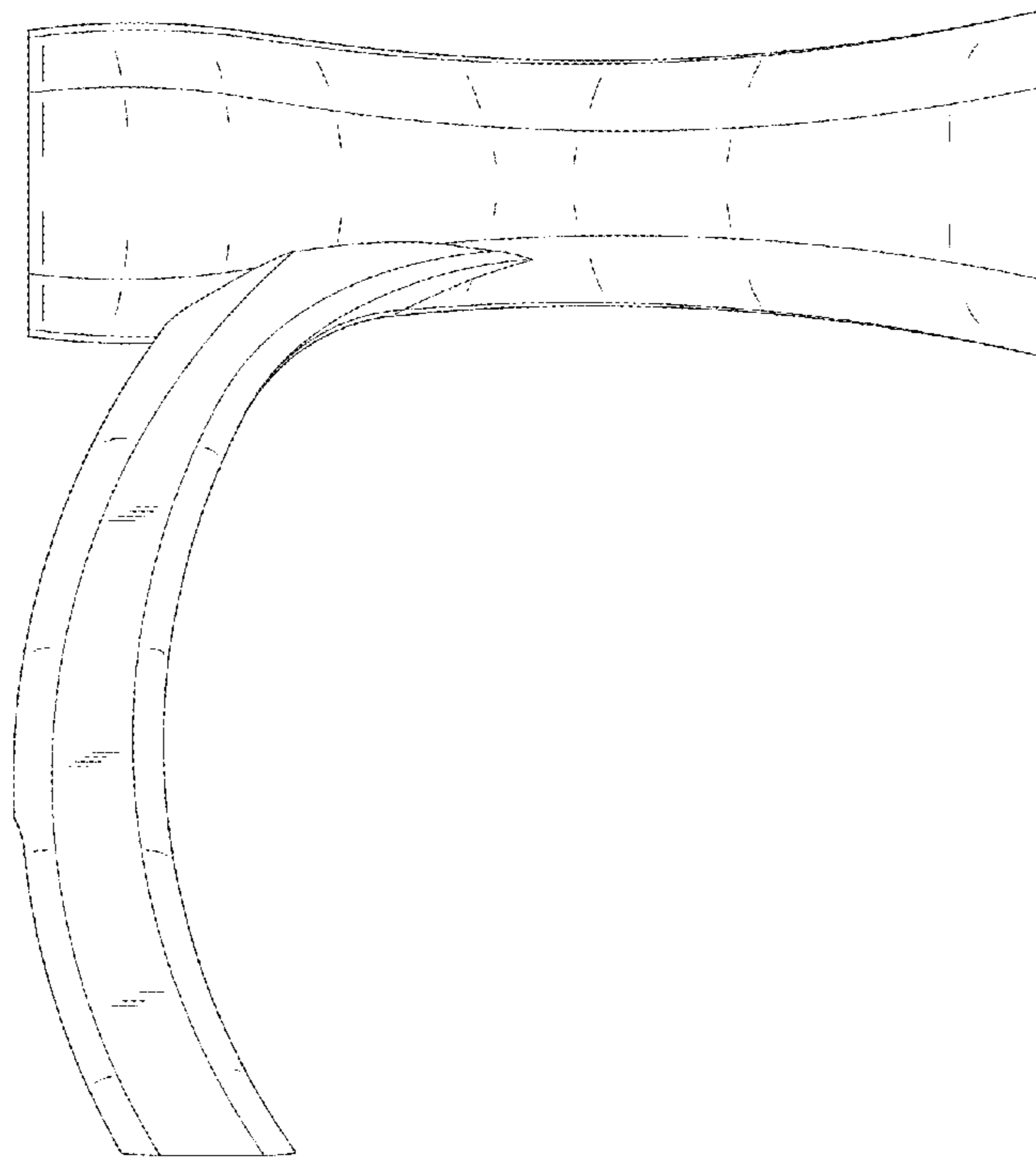


FIG. 2

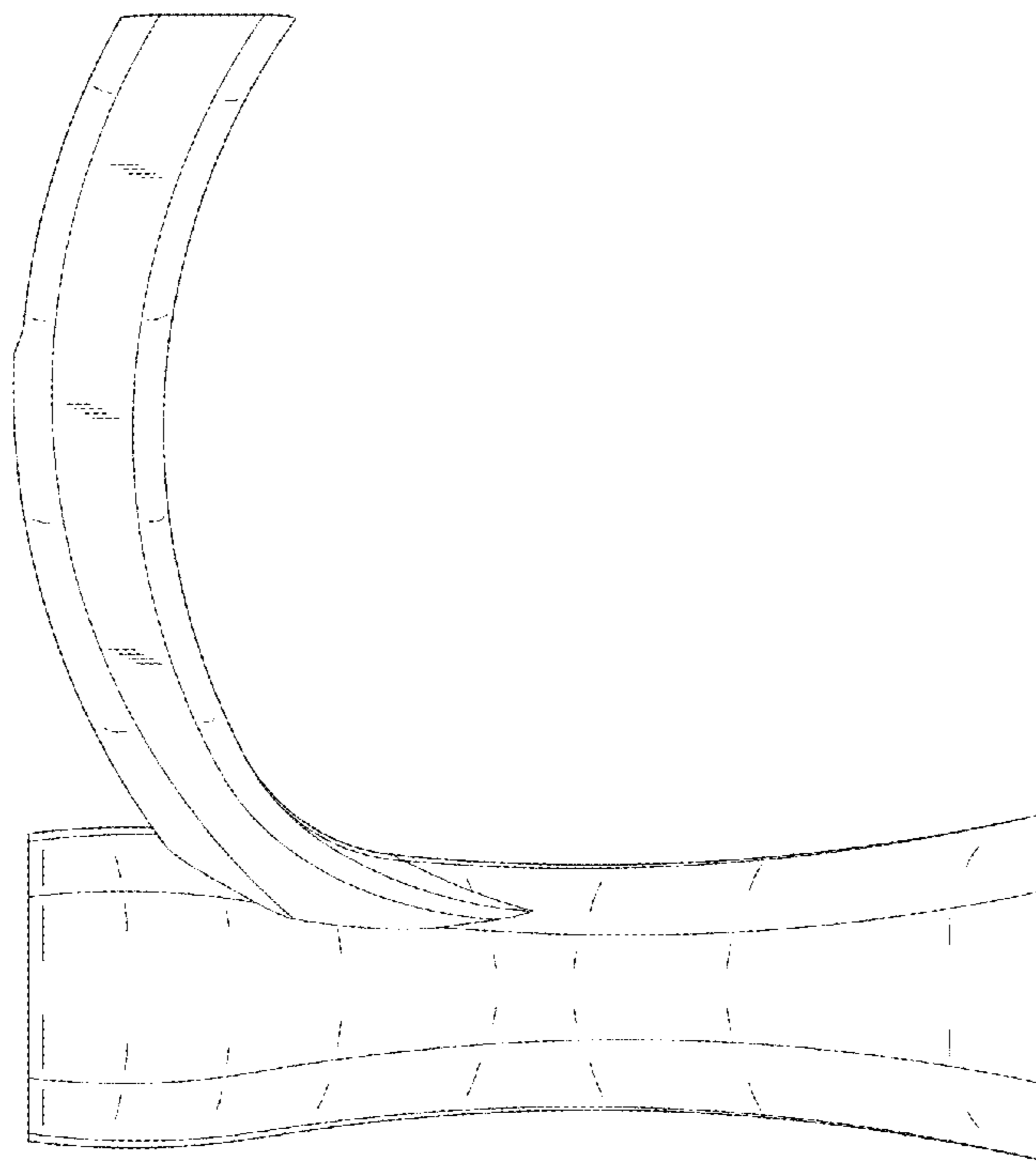


FIG. 3

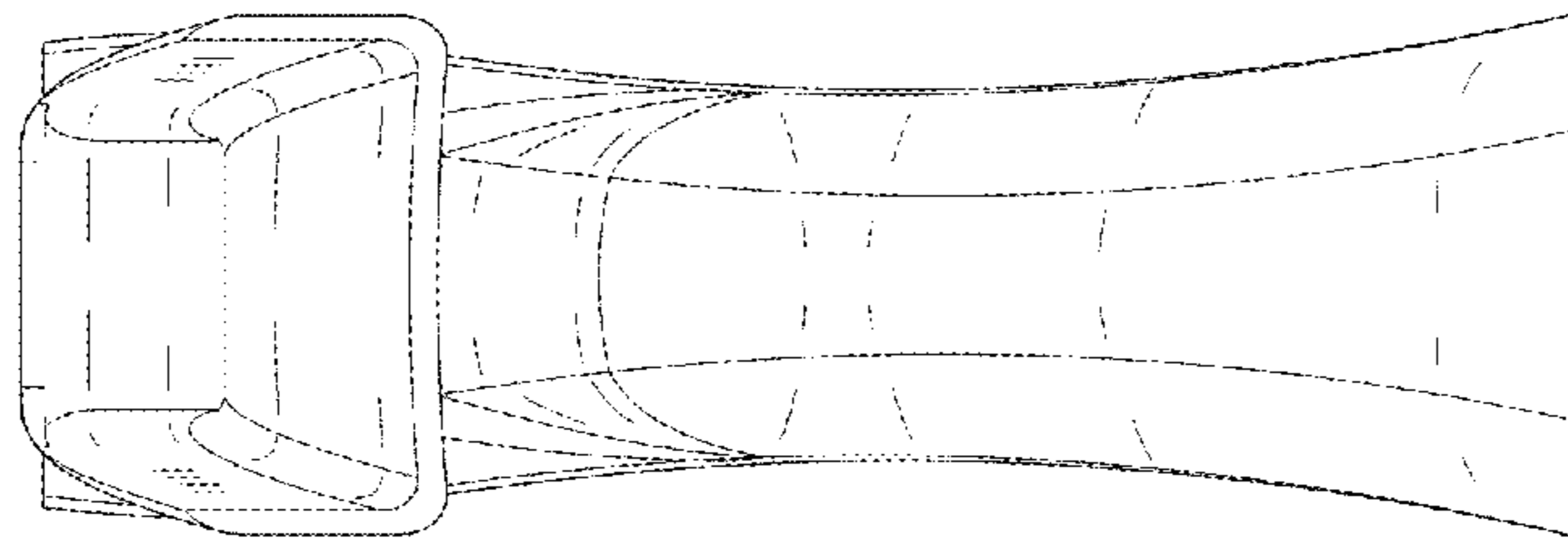


FIG. 4

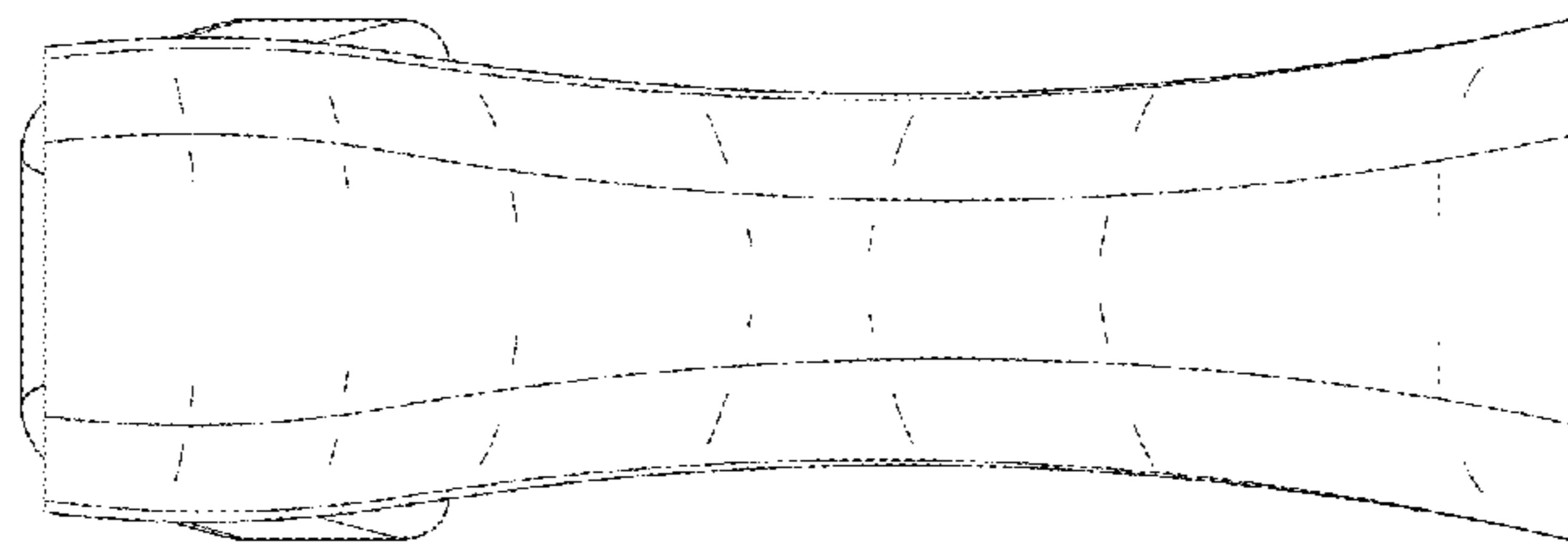


FIG. 5

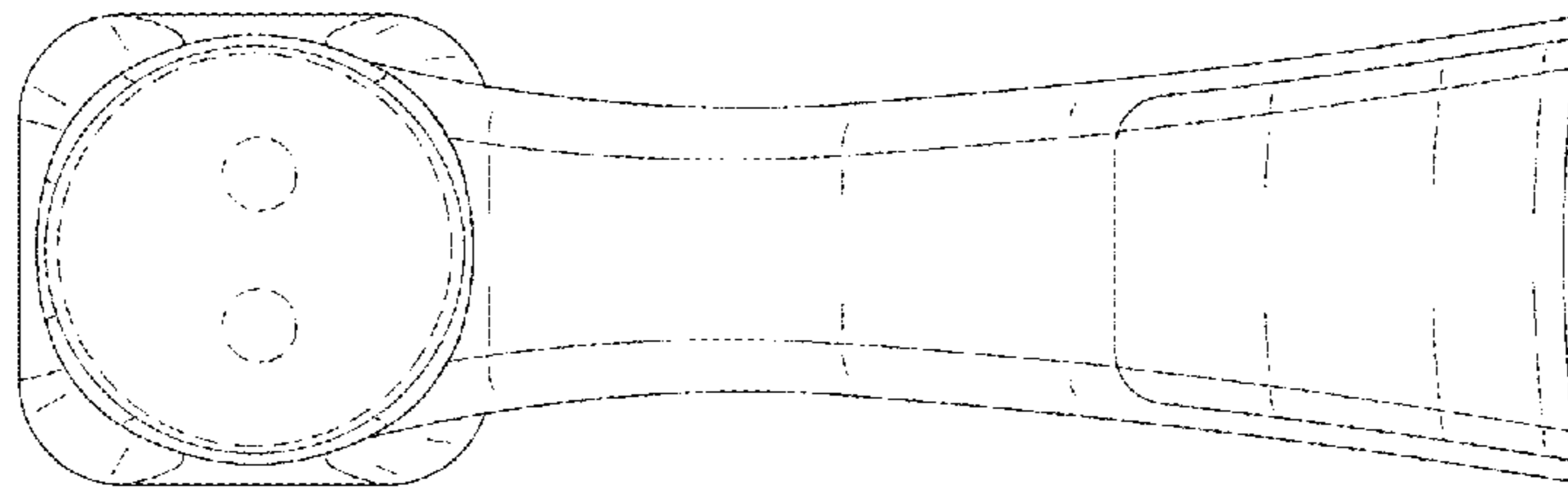


FIG.6

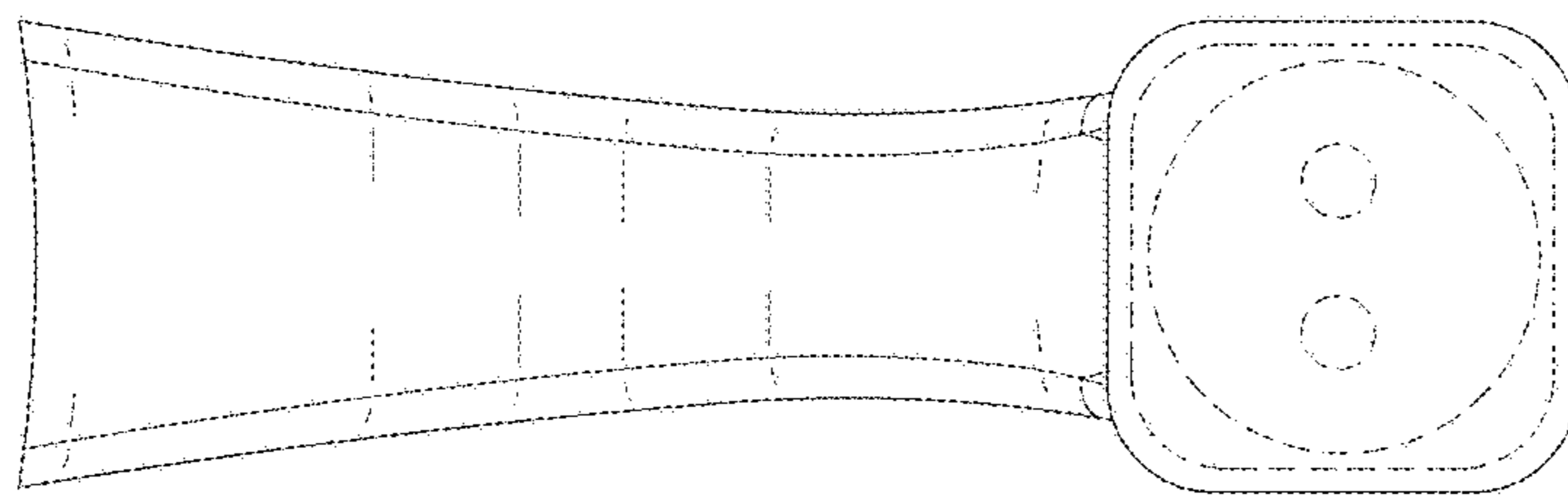


FIG. 7