



US00D854661S

(12) **United States Design Patent**
Hsieh et al.

(10) **Patent No.:** **US D854,661 S**
(45) **Date of Patent:** **** Jul. 23, 2019**

(54) **FAUCET BRIDGE AND SPOUT**

(71) Applicant: **HORNG LAI INDUSTRIAL CO., LTD.**, Chang Hua Hsien (TW)

(72) Inventors: **Cheng-Yeh Hsieh**, Chang Hua Hsien (TW); **Chia-Yi Hsieh**, Chang Hua Hsien (TW)

(73) Assignee: **Horng Lai Industrial Co., Ltd.**, Chang Hua Hsien (TW)

(**) Term: **15 Years**

(21) Appl. No.: **29/617,971**

(22) Filed: **Sep. 18, 2017**

(51) **LOC (11) Cl.** **23-01**

(52) **U.S. Cl.**
USPC **D23/249**

(58) **Field of Classification Search**
USPC D23/238-243, 249
CPC Y10T 137/9464; E03C 1/04; E03C 1/02;
E03C 1/0404; E03C 1/0411; E03C
1/0414

See application file for complete search history.

(56) **References Cited**

U.S. PATENT DOCUMENTS

D111,011 S *	8/1938	Bloch	D23/240
D430,649 S *	9/2000	Milrud	D23/249
D487,585 S *	3/2004	Shieh	D23/239
D510,413 S *	10/2005	Ouyoung	D23/249
D693,439 S *	11/2013	Shieh	D23/241
D743,003 S *	11/2015	Shieh	D23/241

D792,560 S * 7/2017 Kulig D23/249

* cited by examiner

Primary Examiner — Robert A Delehanty

(74) *Attorney, Agent, or Firm* — Alan D. Kamrath; Mayer & Williams PC

(57) **CLAIM**

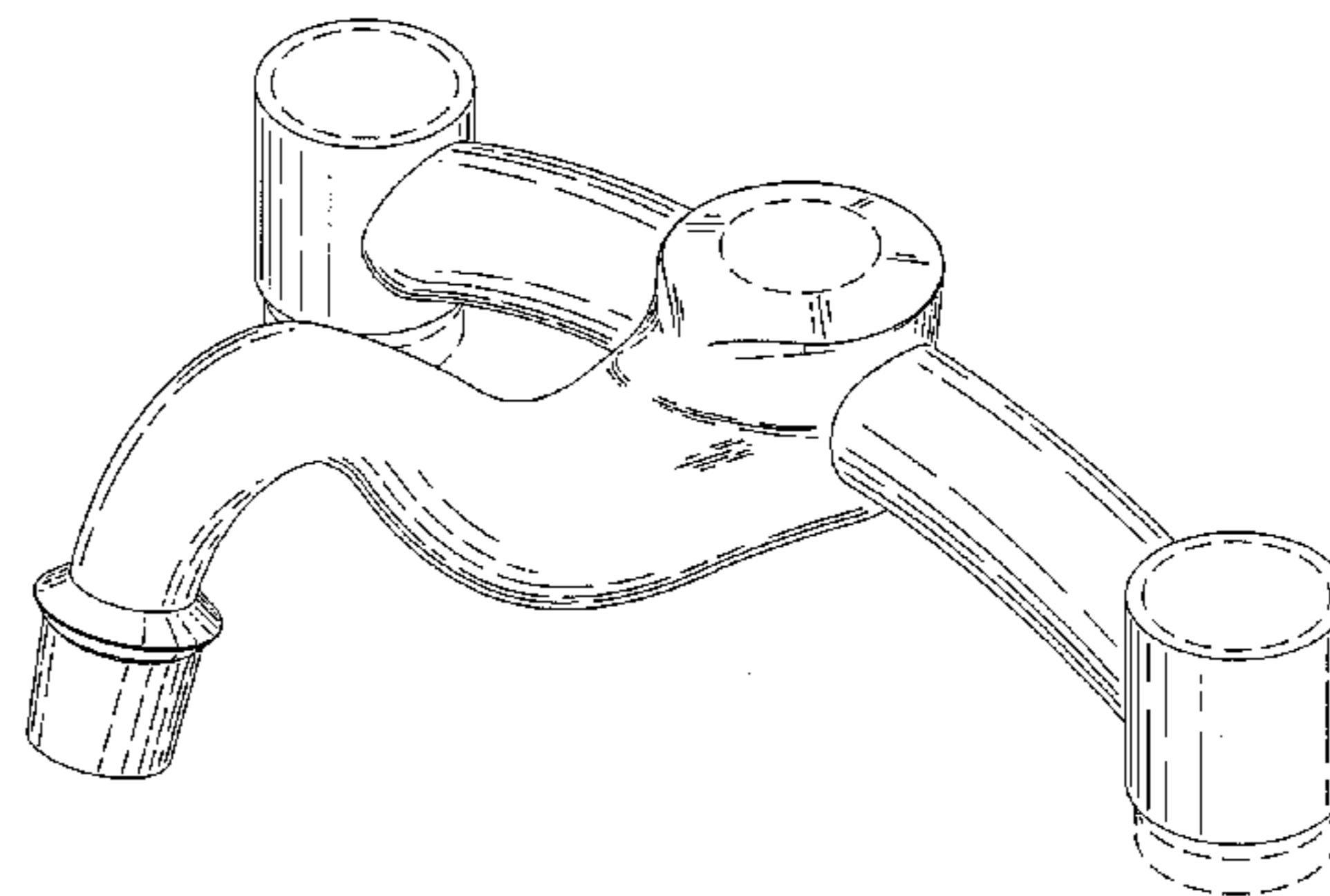
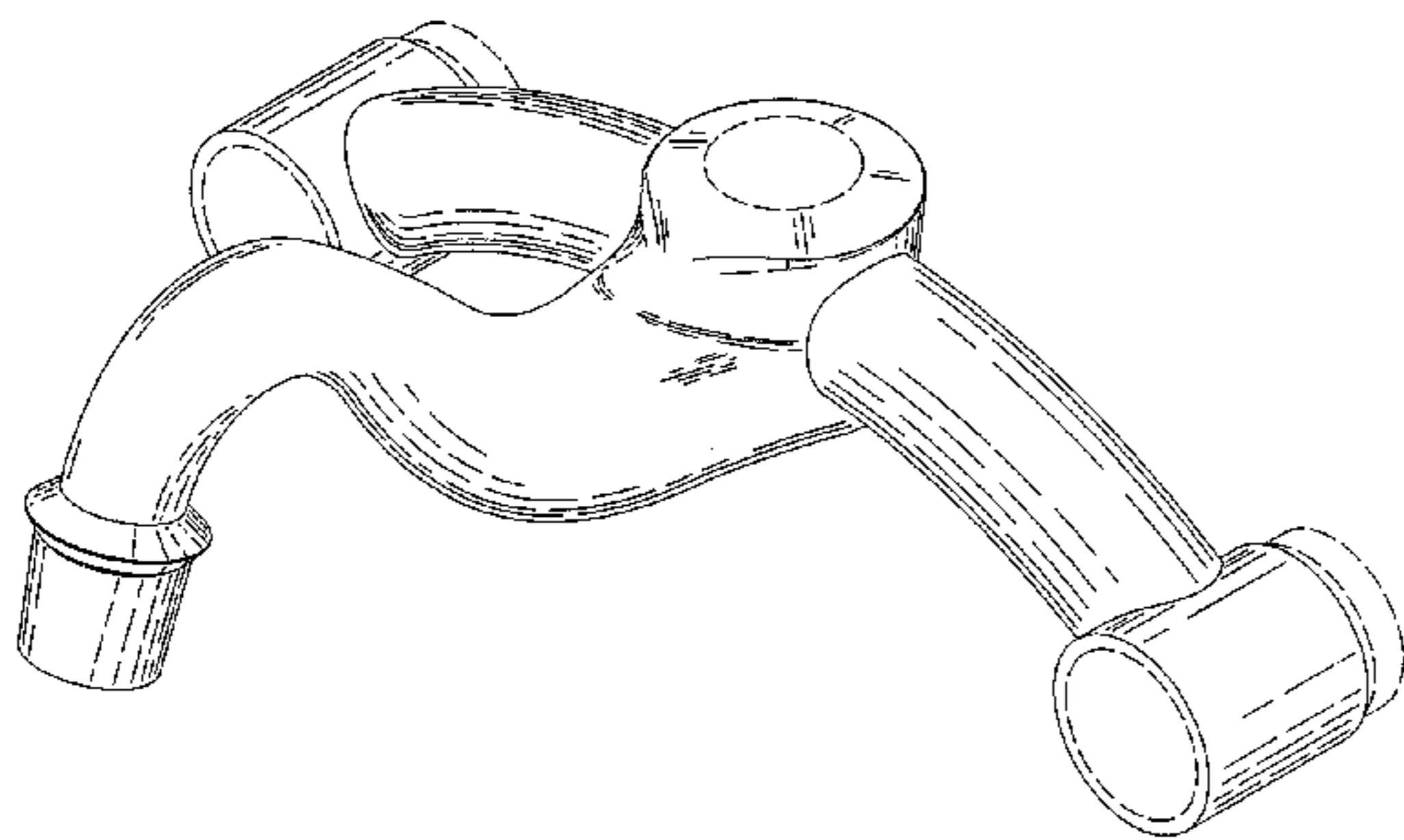
The ornamental design for a faucet bridge and spout, as shown and described.

DESCRIPTION

FIG. 1 is a perspective view of a faucet bridge and spout showing our new design;
 FIG. 2 is a front elevational view thereof;
 FIG. 3 is a rear elevational view thereof;
 FIG. 4 is a left side elevational view thereof;
 FIG. 5 is a right side elevational view thereof;
 FIG. 6 is a top plan view thereof;
 FIG. 7 is a bottom plan view thereof;
 FIG. 8 is a perspective view of another embodiment of a faucet bridge and spout showing our new design;
 FIG. 9 is a front elevational view of the faucet bridge and spout of FIG. 8;
 FIG. 10 is a rear elevational view of the faucet bridge and spout of FIG. 8;
 FIG. 11 is a left side elevational view of the faucet bridge and spout of FIG. 8;
 FIG. 12 is a right side elevational view of the faucet bridge and spout of FIG. 8;
 FIG. 13 is a top plan view of the faucet bridge and spout of FIG. 8; and,
 FIG. 14 is a bottom plan view of the faucet bridge and spout of FIG. 8.

The broken lines shown in the drawing are for illustrative purposes only, and form no part of the claimed design.

1 Claim, 14 Drawing Sheets



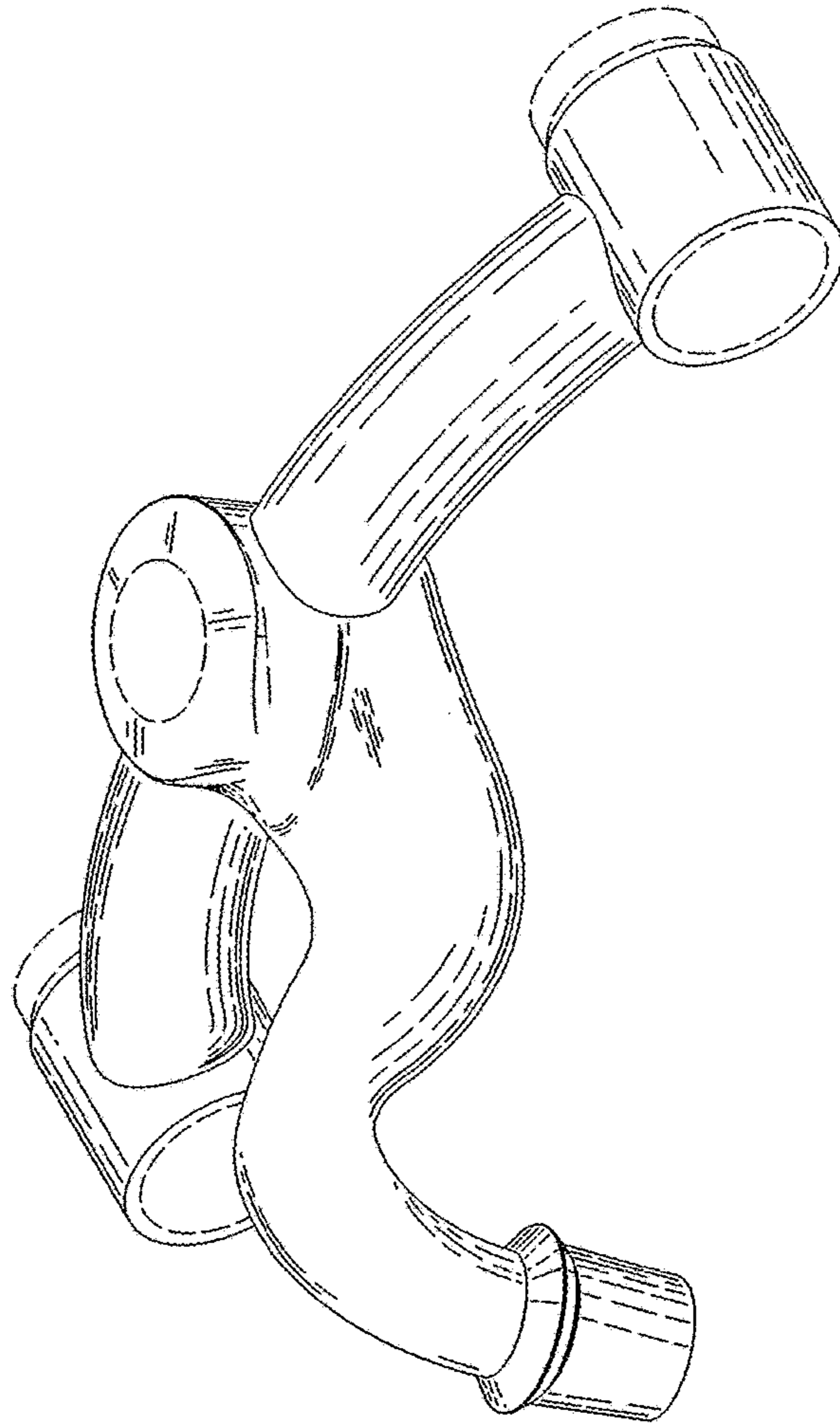


FIG. 1

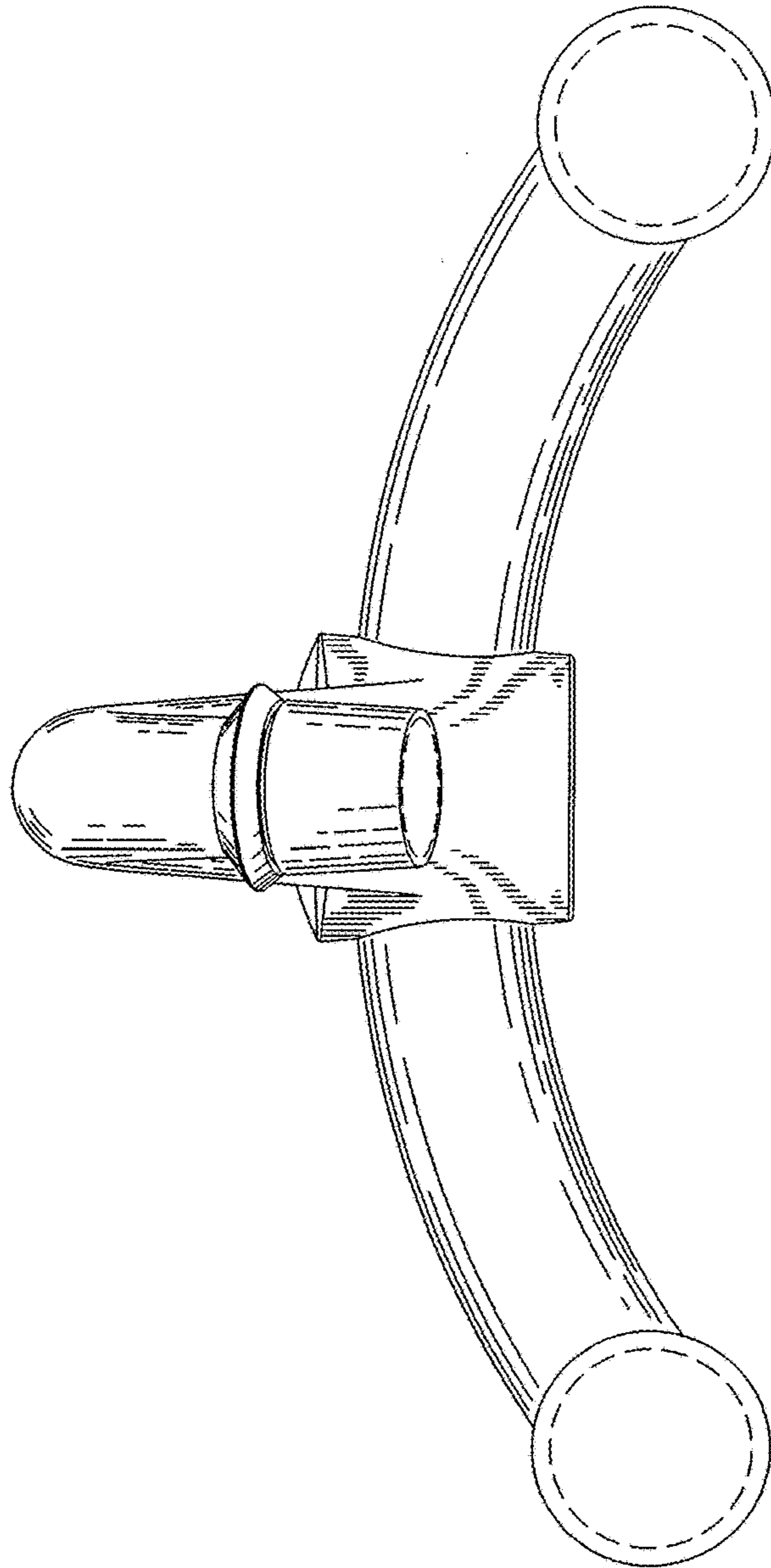


FIG. 2

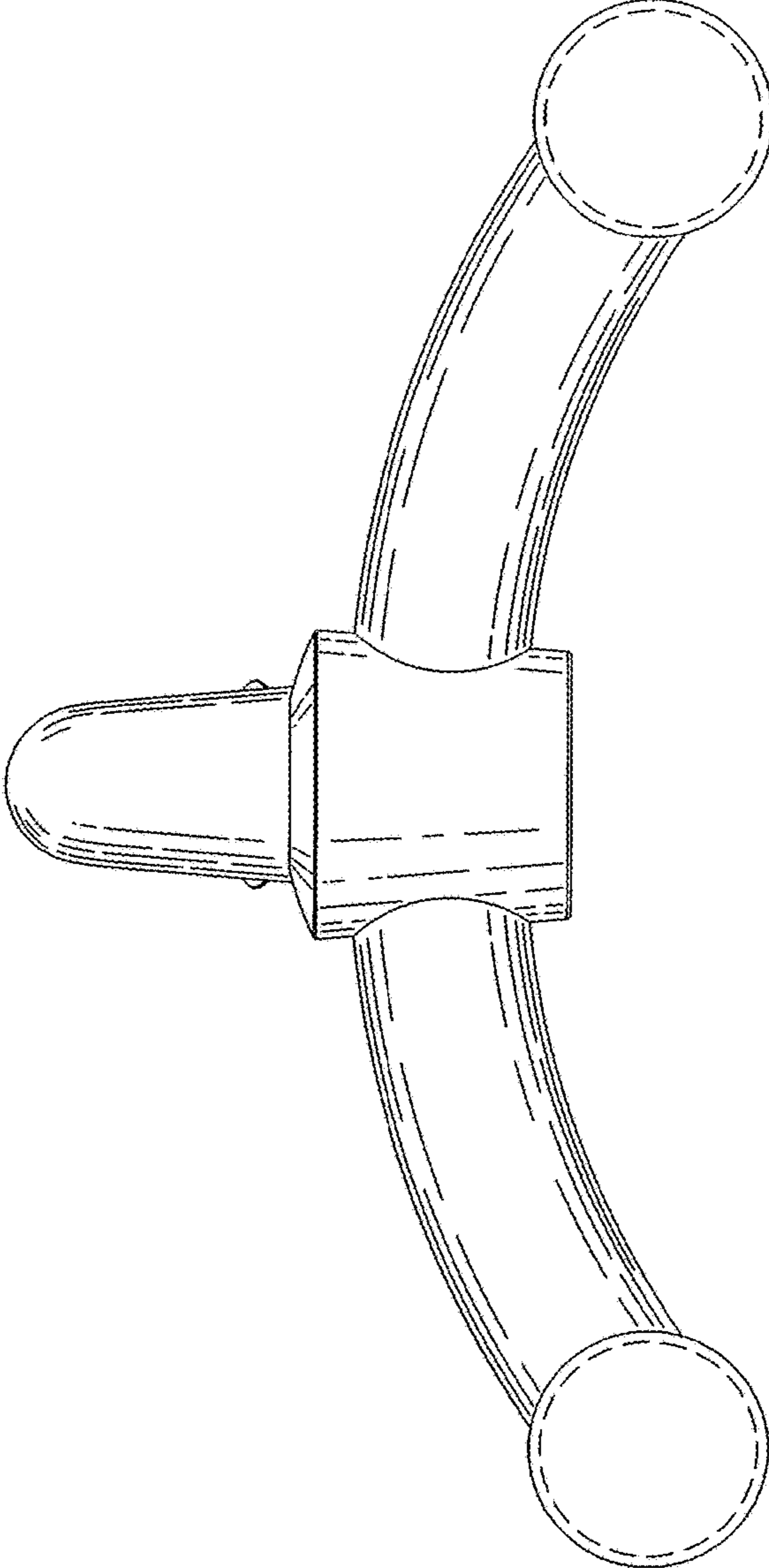


FIG. 3

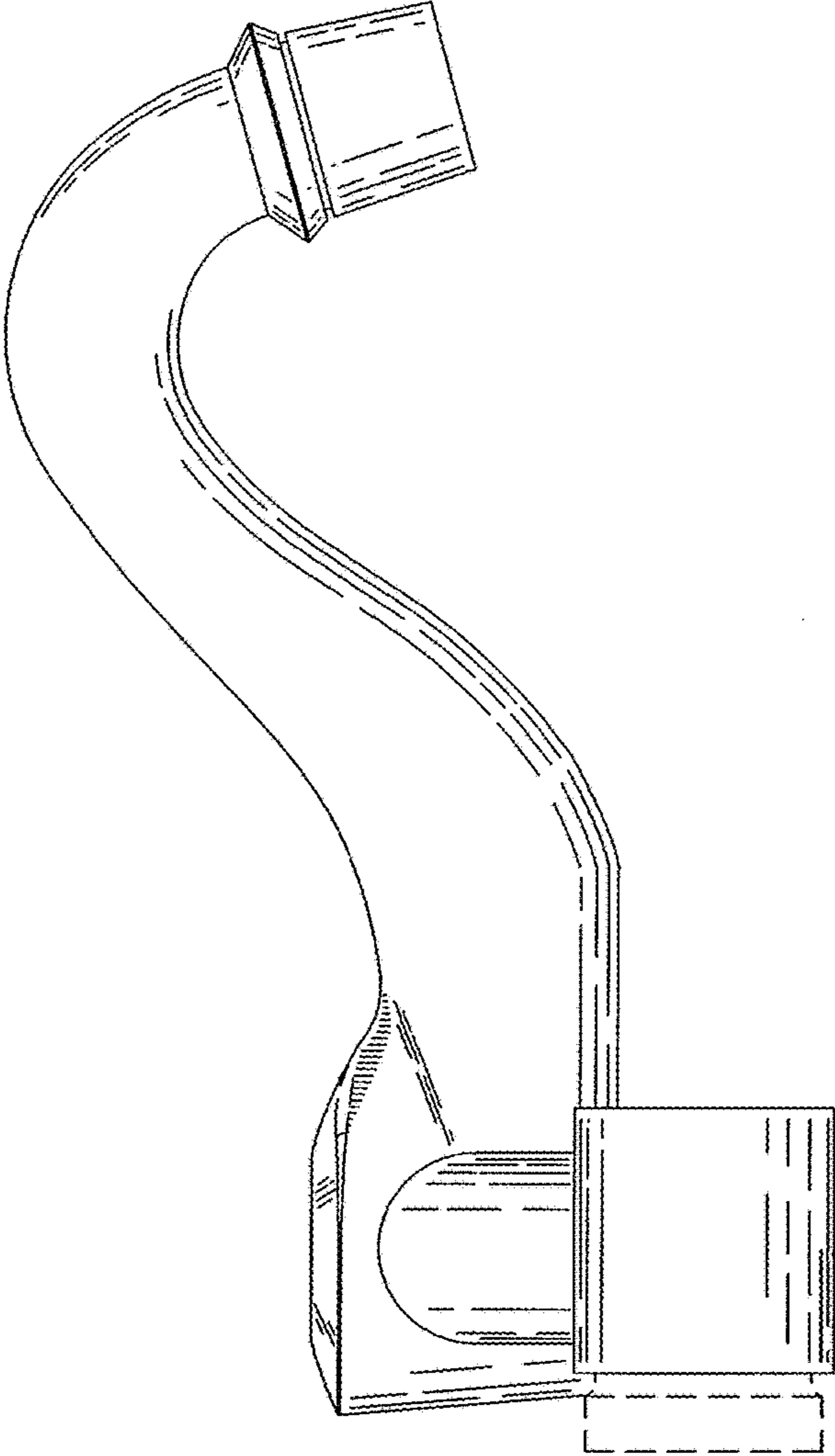


FIG. 4

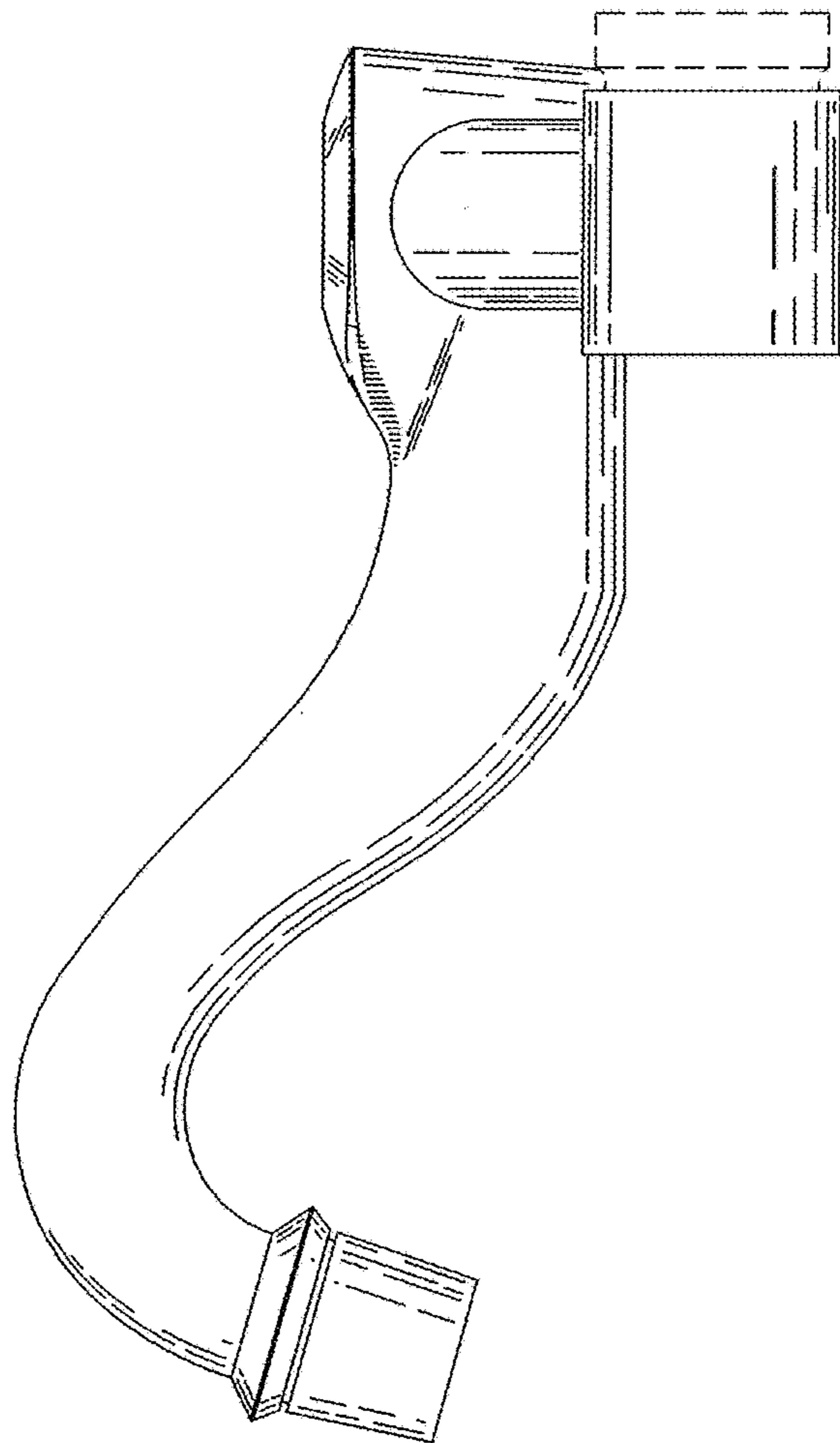


FIG. 5

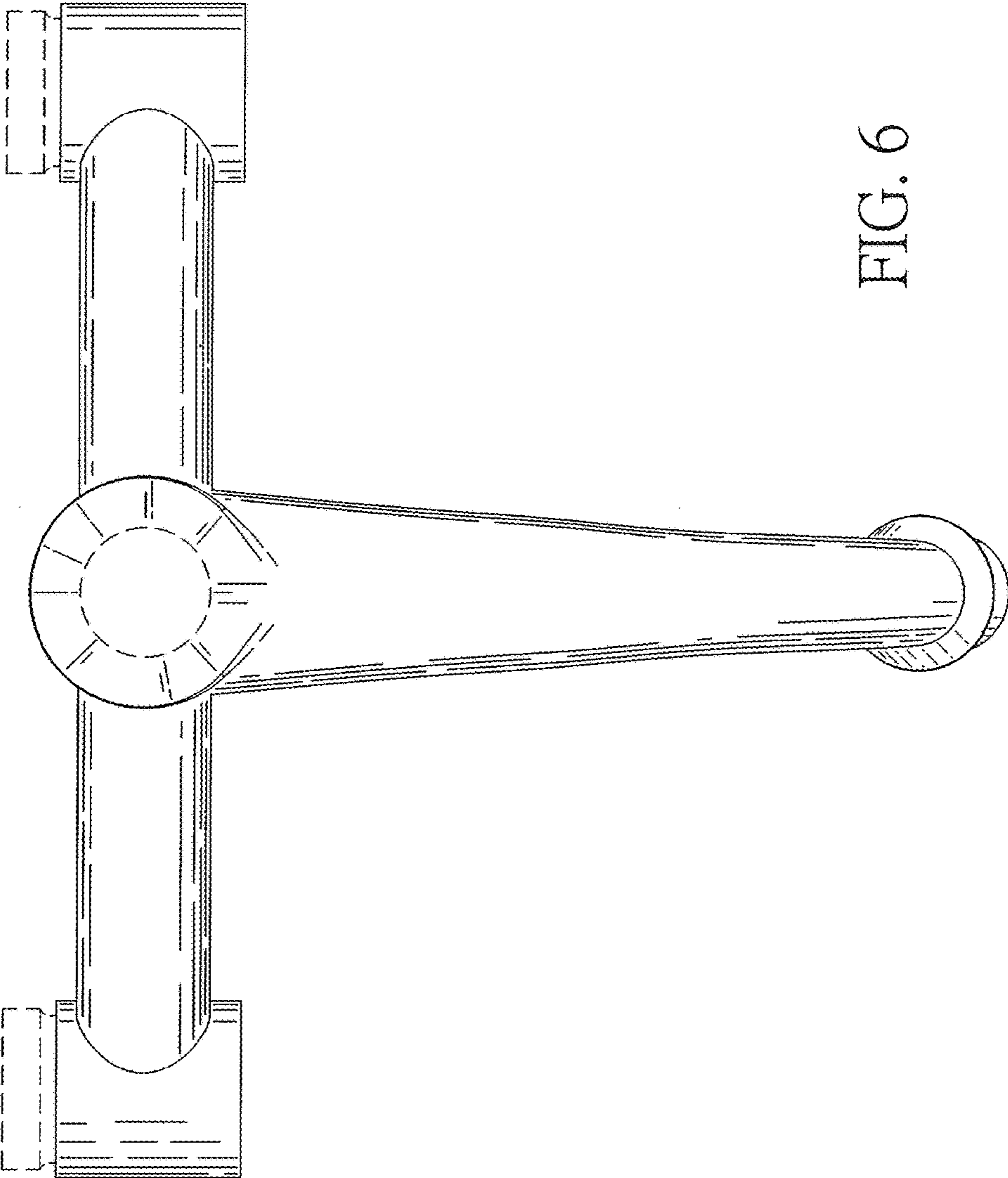


FIG. 6

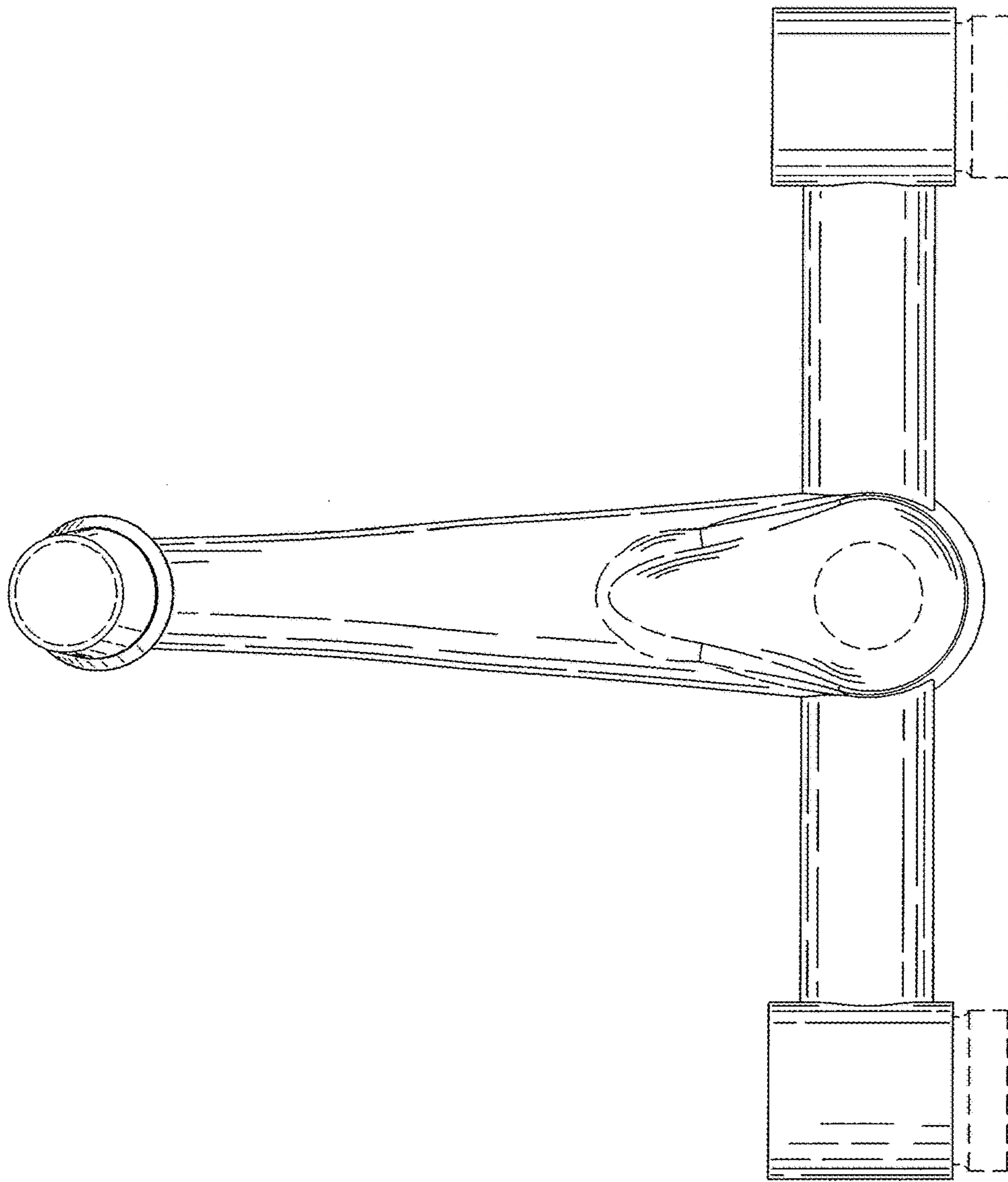


FIG. 7

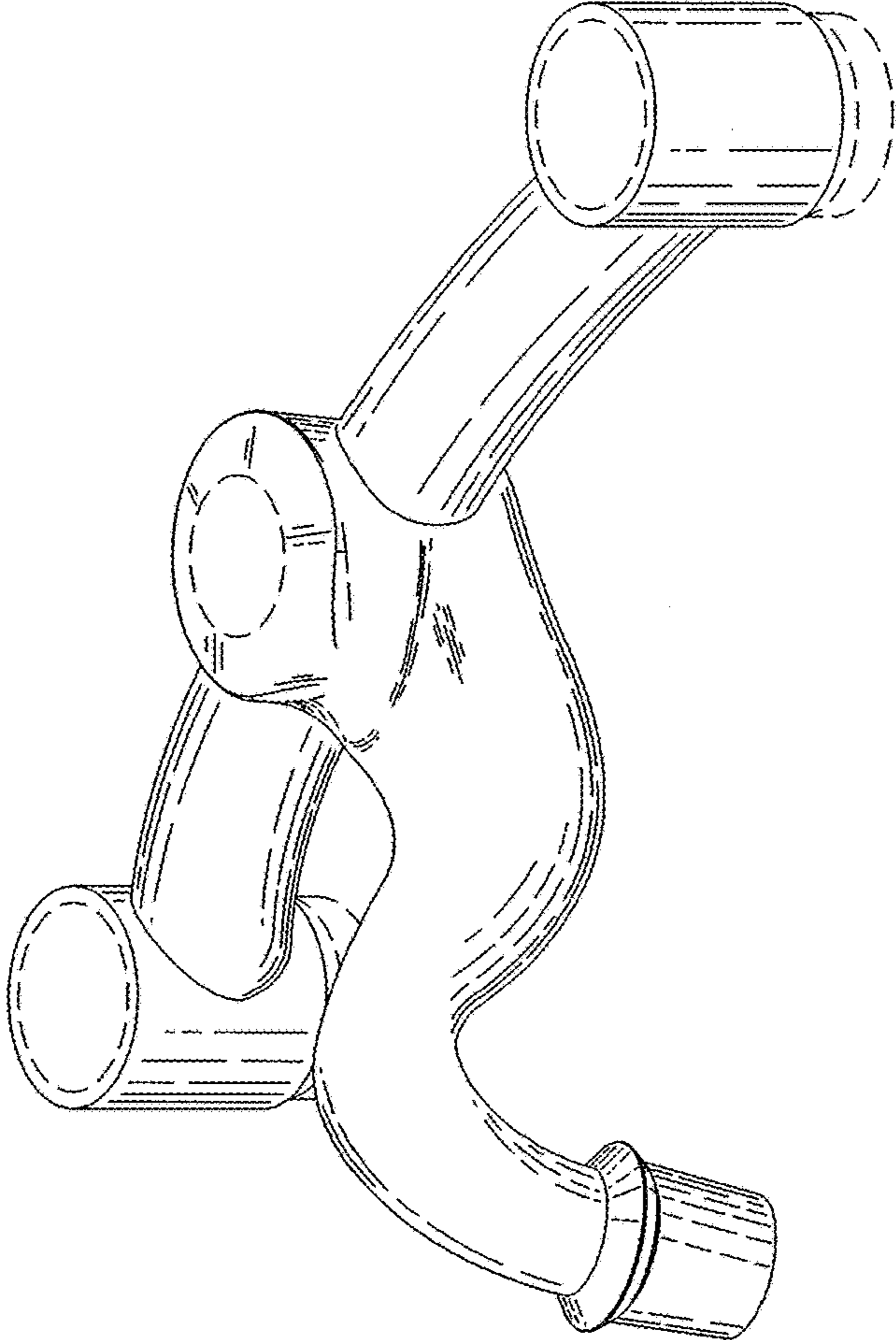


FIG. 8

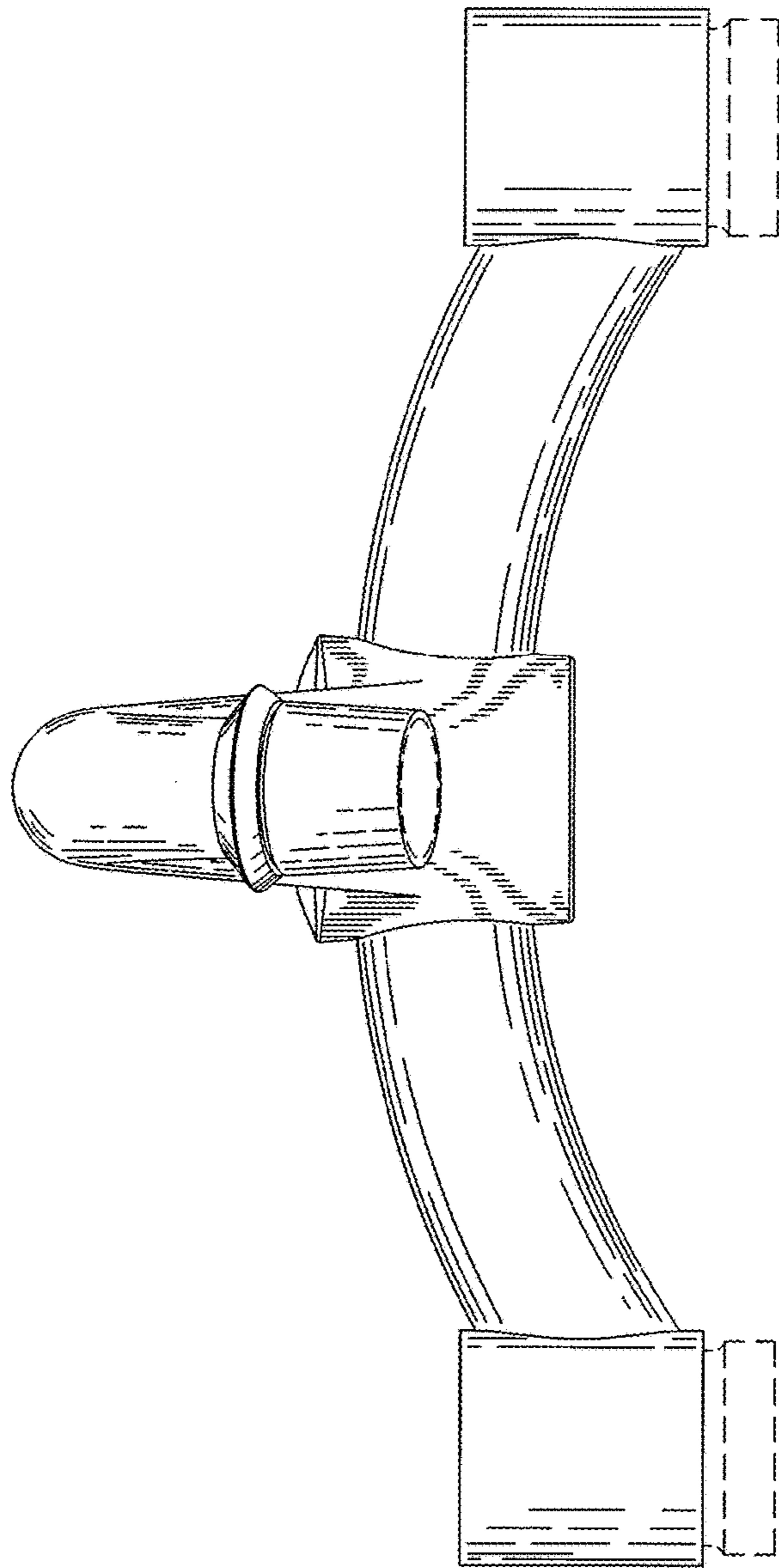


FIG. 9

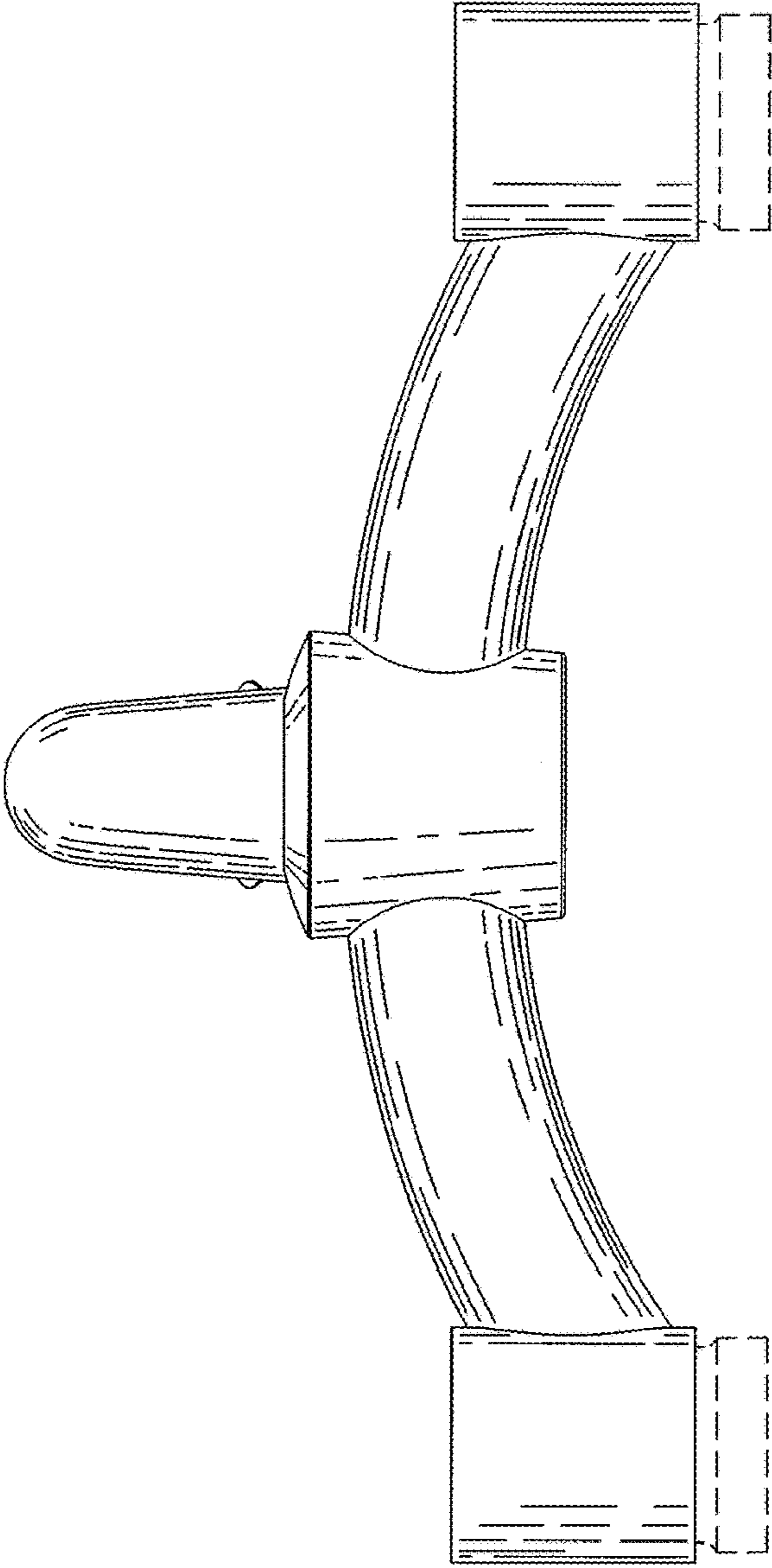


FIG. 10

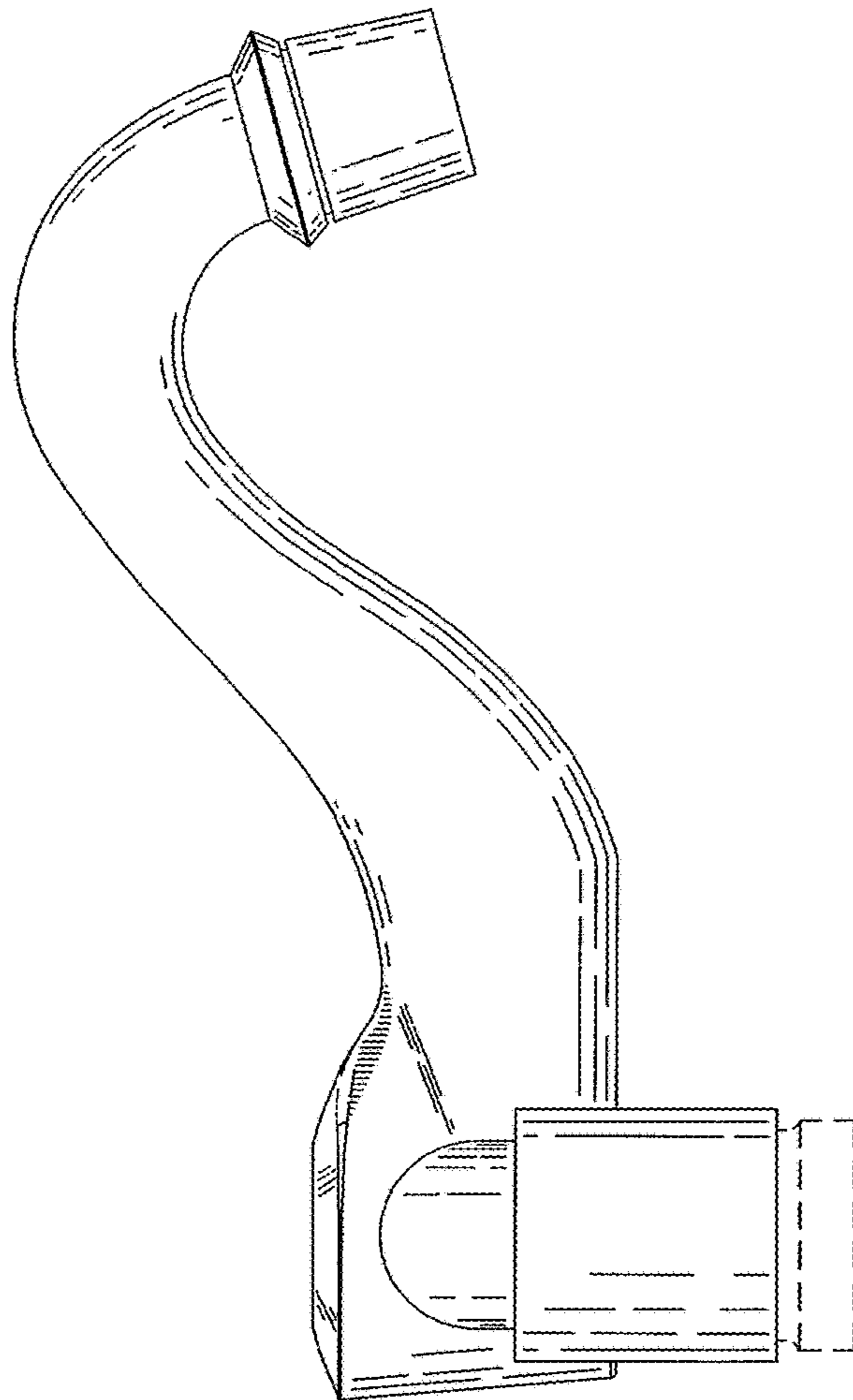


FIG. 11

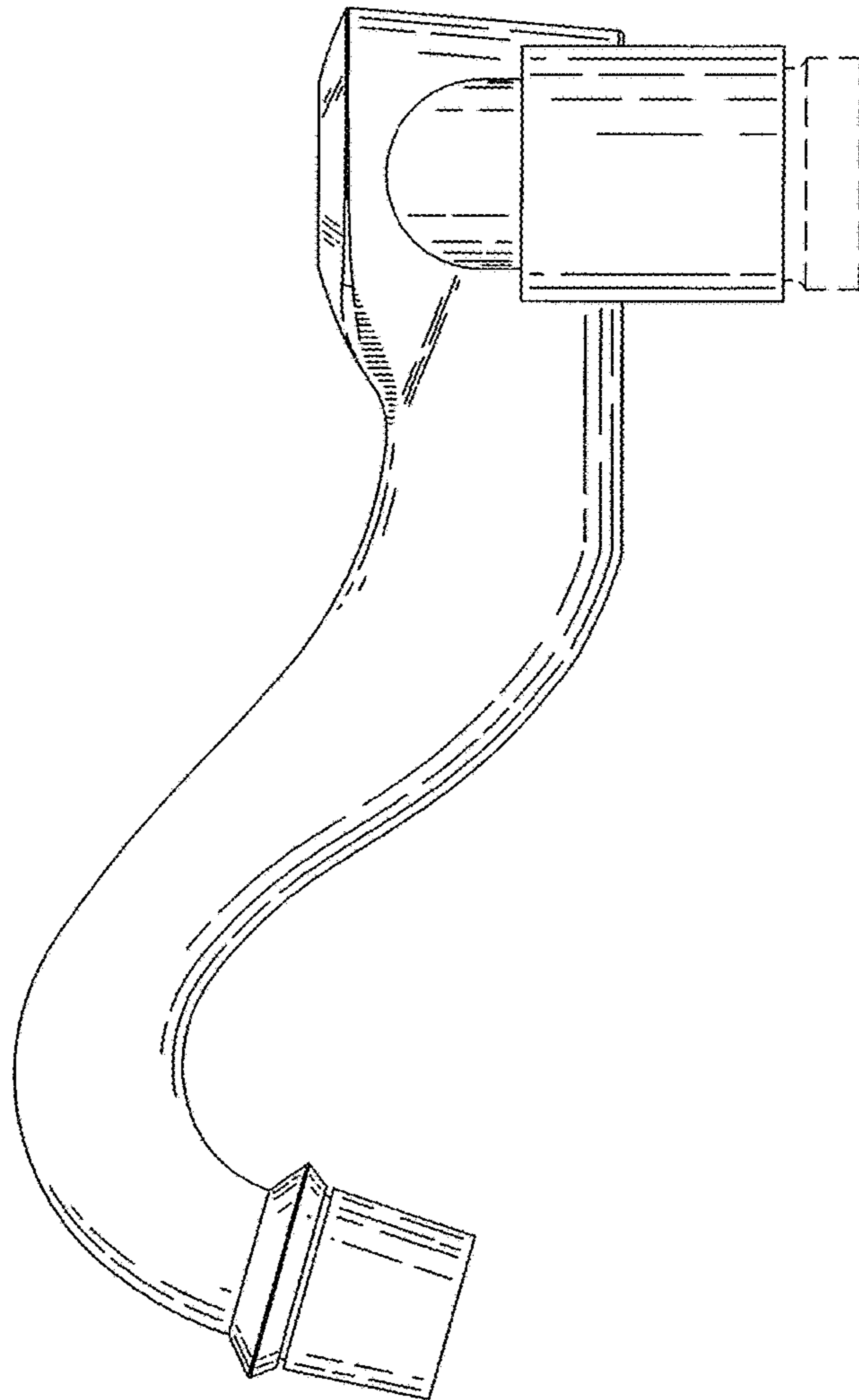


FIG. 12

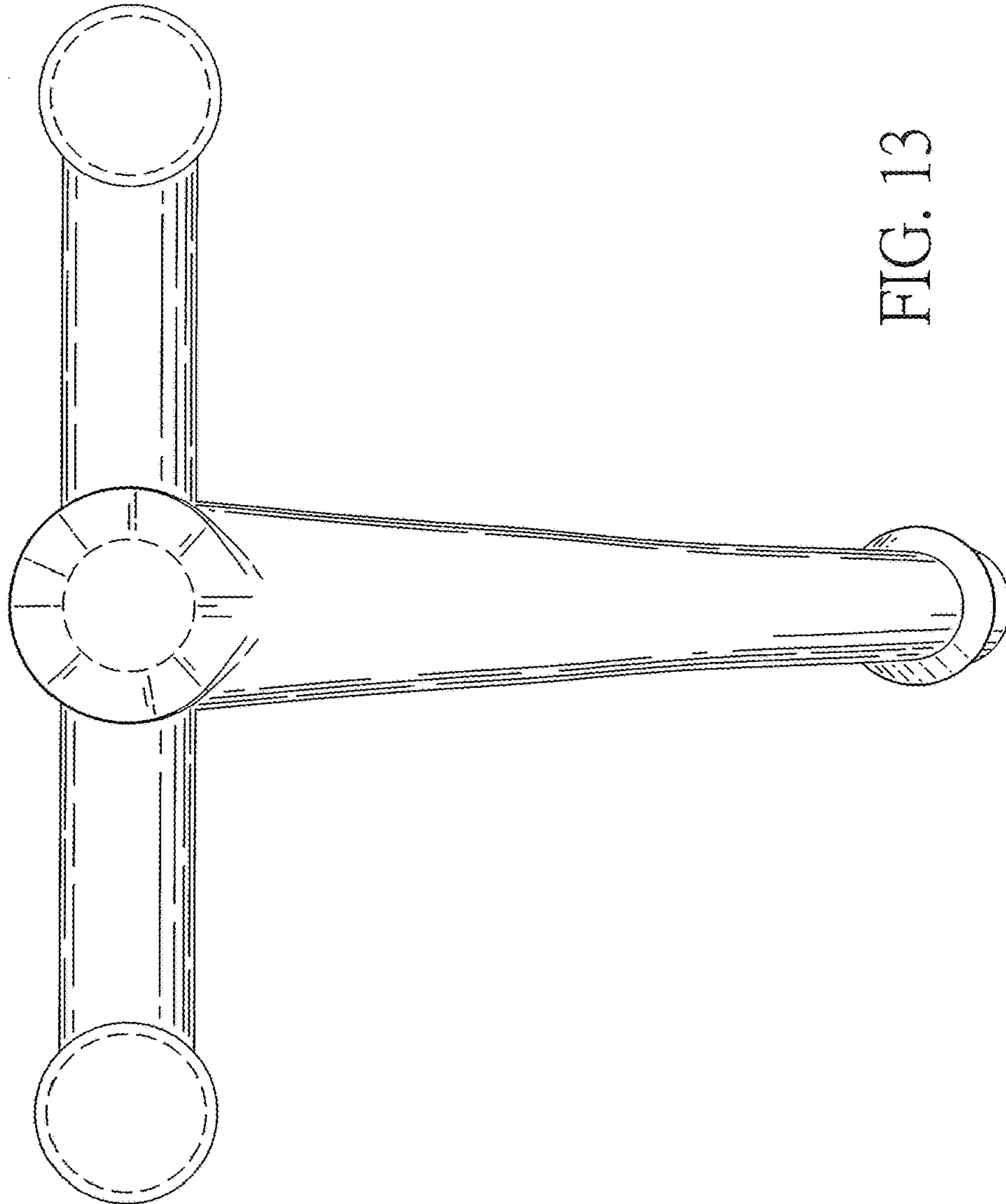


FIG. 13

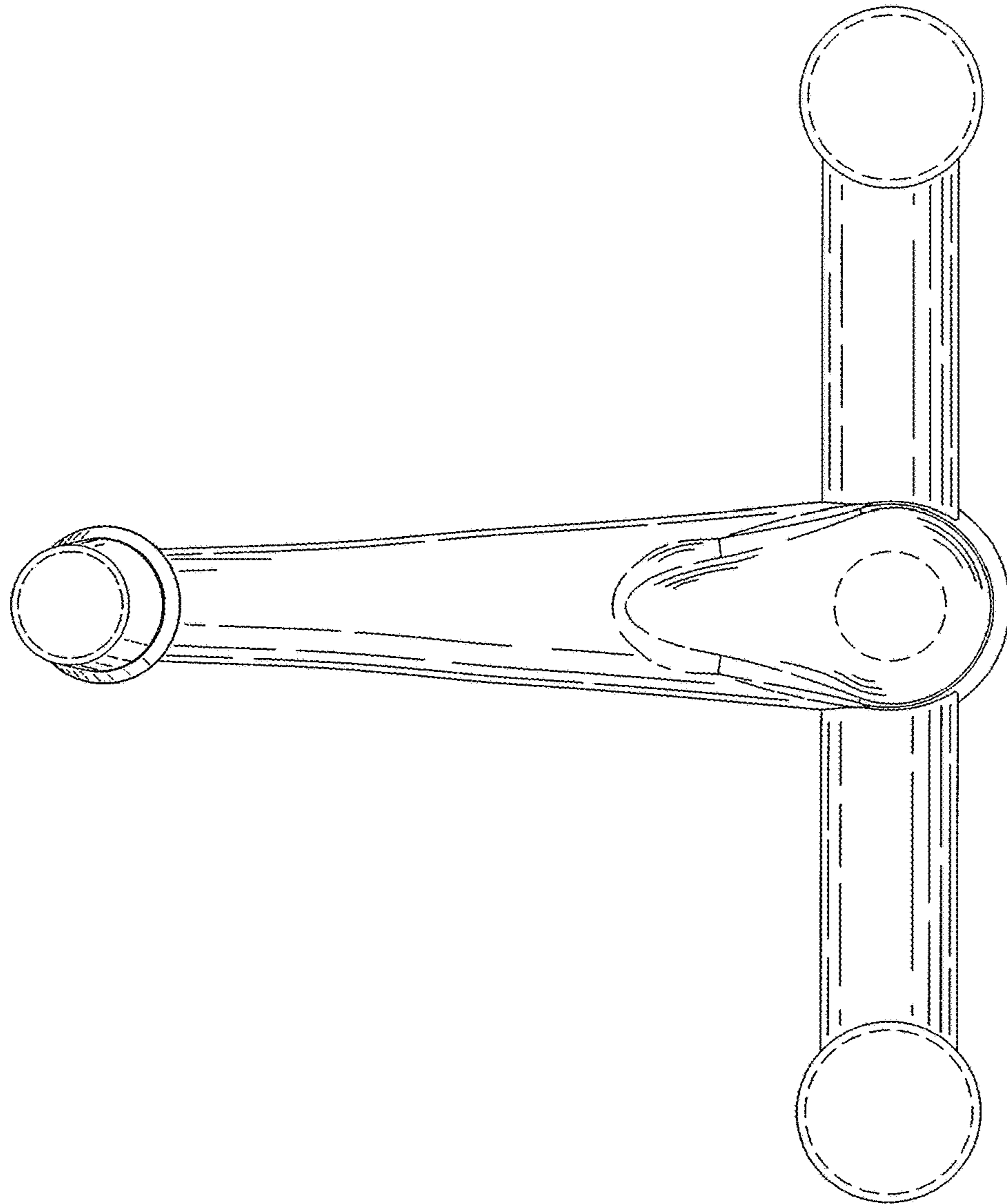


FIG. 14