



US00D854660S

(12) **United States Design Patent**
Yung

(10) **Patent No.:** **US D854,660 S**

(45) **Date of Patent:** **** Jul. 23, 2019**

(54) **BALL VALVE**

(71) Applicant: **Eastern Foundry & Fittings Inc.**,
Richmond Hill (CA)

(72) Inventor: **Jacky Chi Pang Yung**, Richmond Hill
(CA)

(73) Assignee: **Eastern Foundry & Fittings Inc.**,
Richmond Hill (CA)

(**) Term: **15 Years**

(21) Appl. No.: **29/665,811**

(22) Filed: **Oct. 7, 2018**

Related U.S. Application Data

(62) Division of application No. 29/593,577, filed on Feb.
9, 2017, now Pat. No. Des. 834,150.

(51) **LOC (11) Cl.** **23-01**

(52) **U.S. Cl.**
USPC **D23/245**

(58) **Field of Classification Search**

USPC D23/233, 235, 237, 241, 244, 245, 248,
D23/249, 250, 259, 262, 263, 266, 236,
D23/252; 137/15.18, 553, 533.11;
251/315.01, 315.16, 14, 148, 172, 181
CPC F16K 27/067; F16K 5/0689; F16K 5/0647;
F16K 15/188; F16K 15/183; F16K
31/602; F16K 31/52458; E21B 2034/002;
F16L 37/47

See application file for complete search history.

(56) **References Cited**

U.S. PATENT DOCUMENTS

D411,870 S * 7/1999 Humber D23/233
D412,561 S * 8/1999 Voo D23/245
D473,931 S * 4/2003 Lai D23/233

D478,650 S * 8/2003 Lai D23/233
D486,204 S * 2/2004 Tripp D23/245
D542,382 S * 5/2007 Cook D23/233
D796,633 S * 9/2017 Adey B03C 1/286
D23/233
2010/0230624 A1* 9/2010 Tejamo F16K 5/201
251/315.16

* cited by examiner

Primary Examiner — Cynthia Ramirez

Assistant Examiner — Gino Colan

(74) *Attorney, Agent, or Firm* — Elan IP Inc.

(57) **CLAIM**

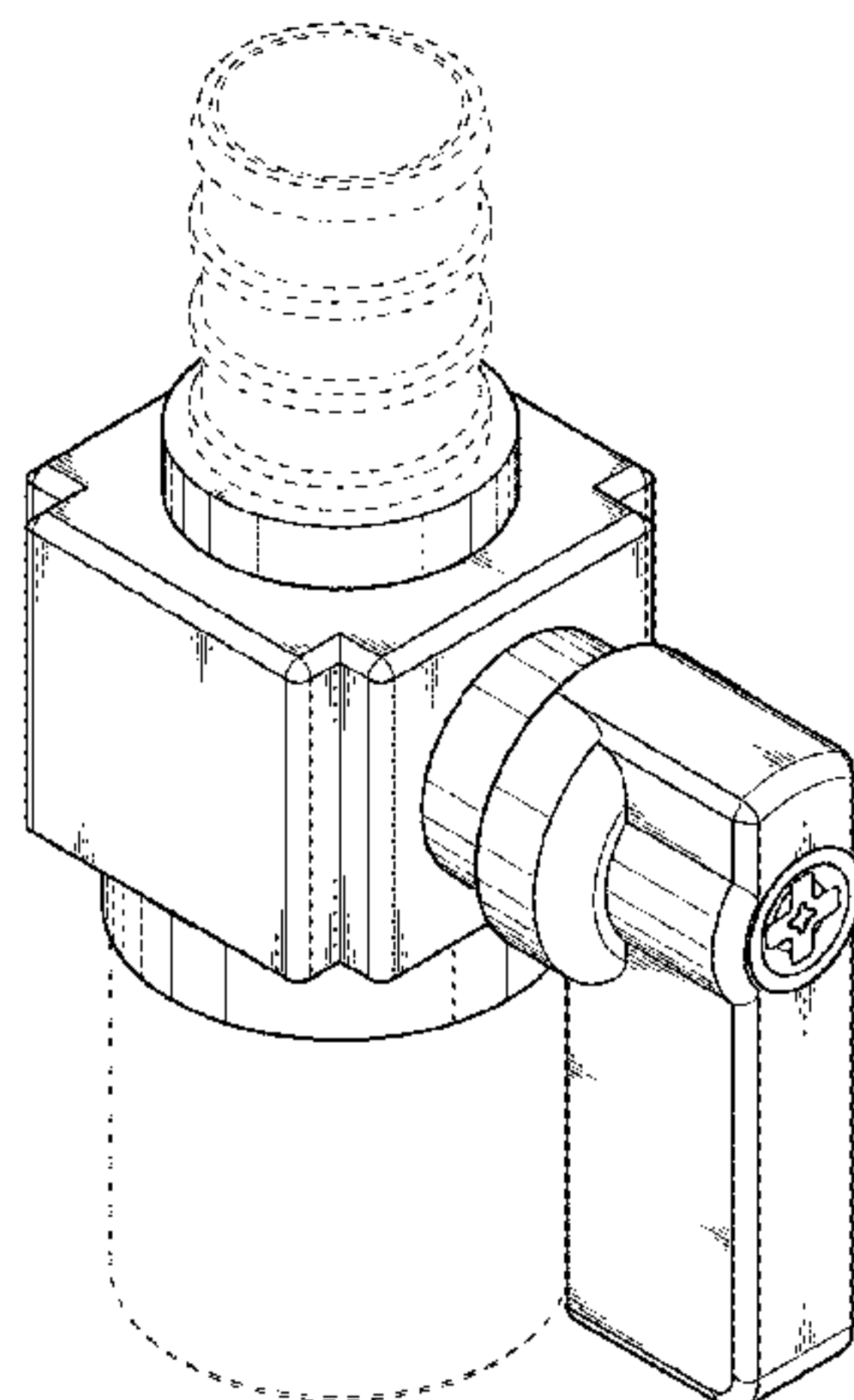
The ornamental design for a ball valve, as shown and
described.

DESCRIPTION

FIG. 1 is a perspective view of a first embodiment of a ball
valve showing my new design;
FIG. 2 is a front view of FIG. 1;
FIG. 3 is a rear view of FIG. 1;
FIG. 4 is a right side view of FIG. 1;
FIG. 5 is a left side view of FIG. 1;
FIG. 6 is a top view of FIG. 1;
FIG. 7 is a bottom view of FIG. 1;
FIG. 8 is is a perspective view of a second embodiment of
a ball valve showing my new design;
FIG. 9 is a front view of FIG. 8;
FIG. 10 is a rear view of FIG. 8;
FIG. 11 is a left side view of FIG. 8;
FIG. 12 is a right side view of FIG. 8;
FIG. 13 is a top view of FIG. 8; and,
FIG. 14 is a bottom view of FIG. 8.

The broken lines shown in the figures are for illustrating
portions of the ball valve and form no part of the claimed
design.

1 Claim, 14 Drawing Sheets



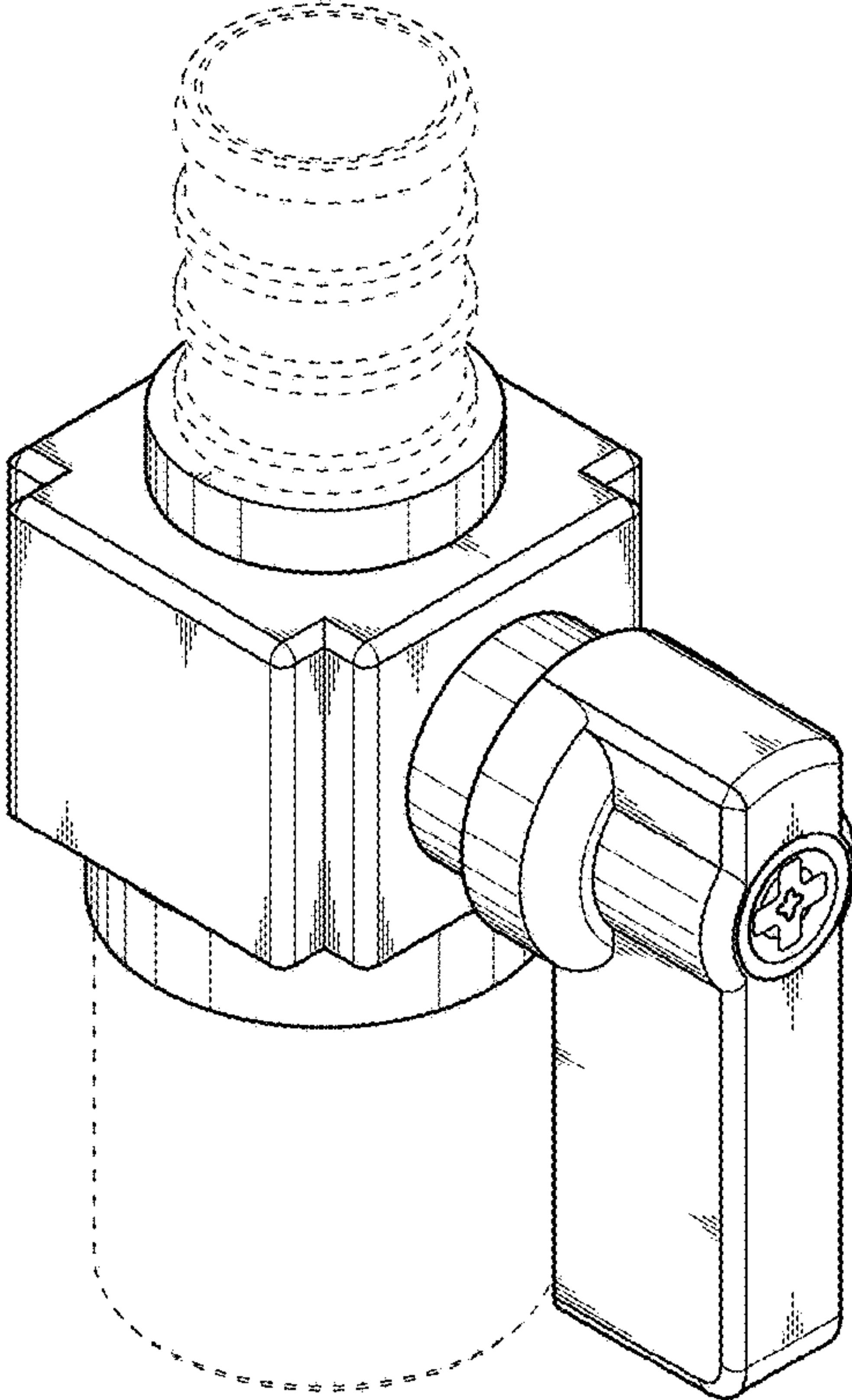


FIG. 1

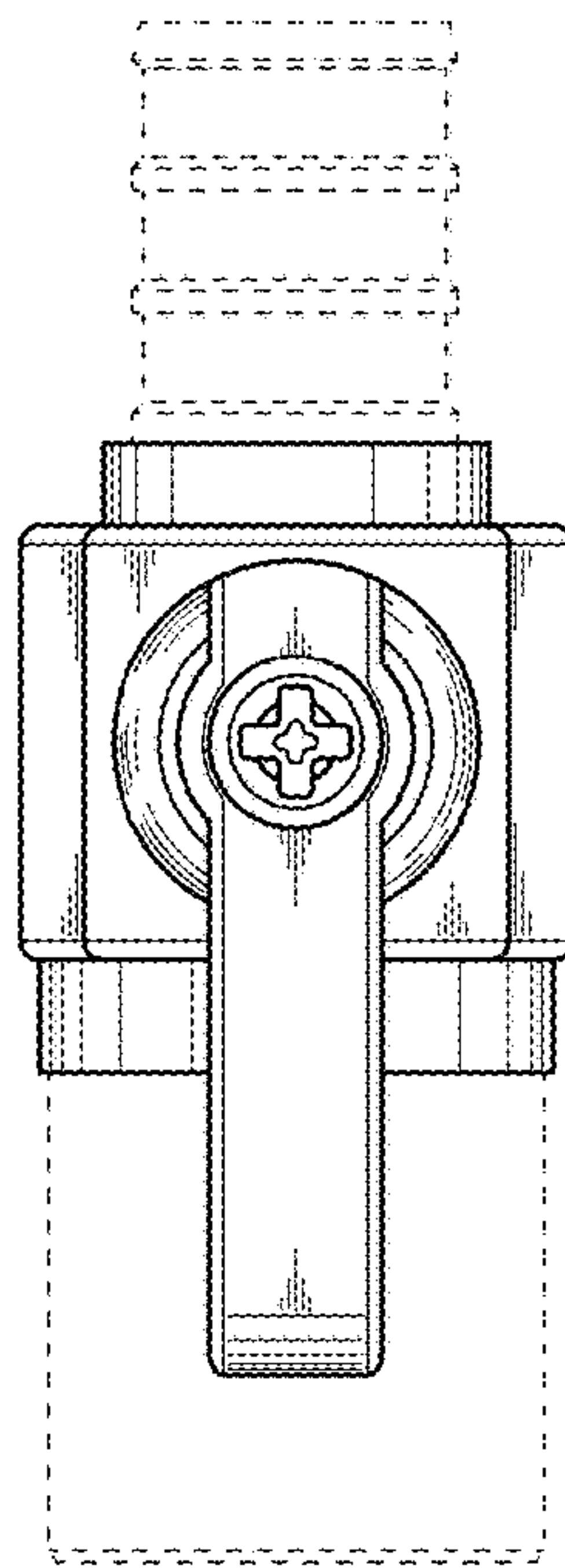


FIG. 2

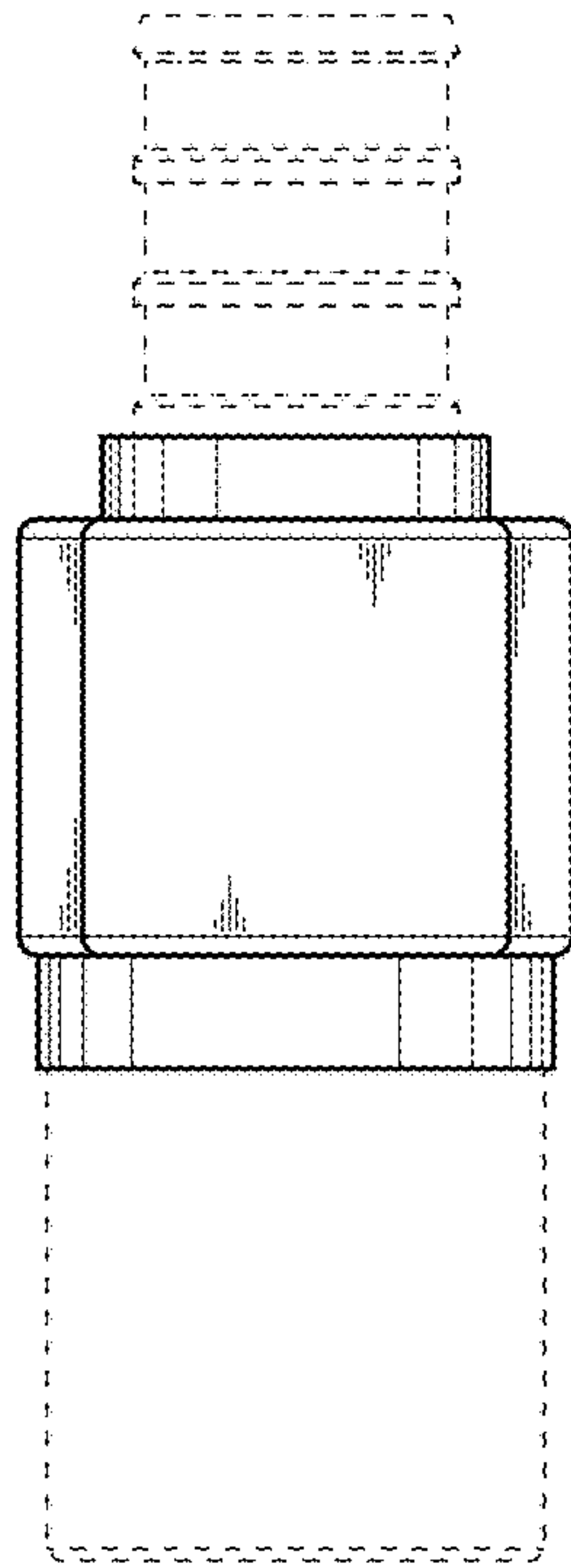


FIG. 3

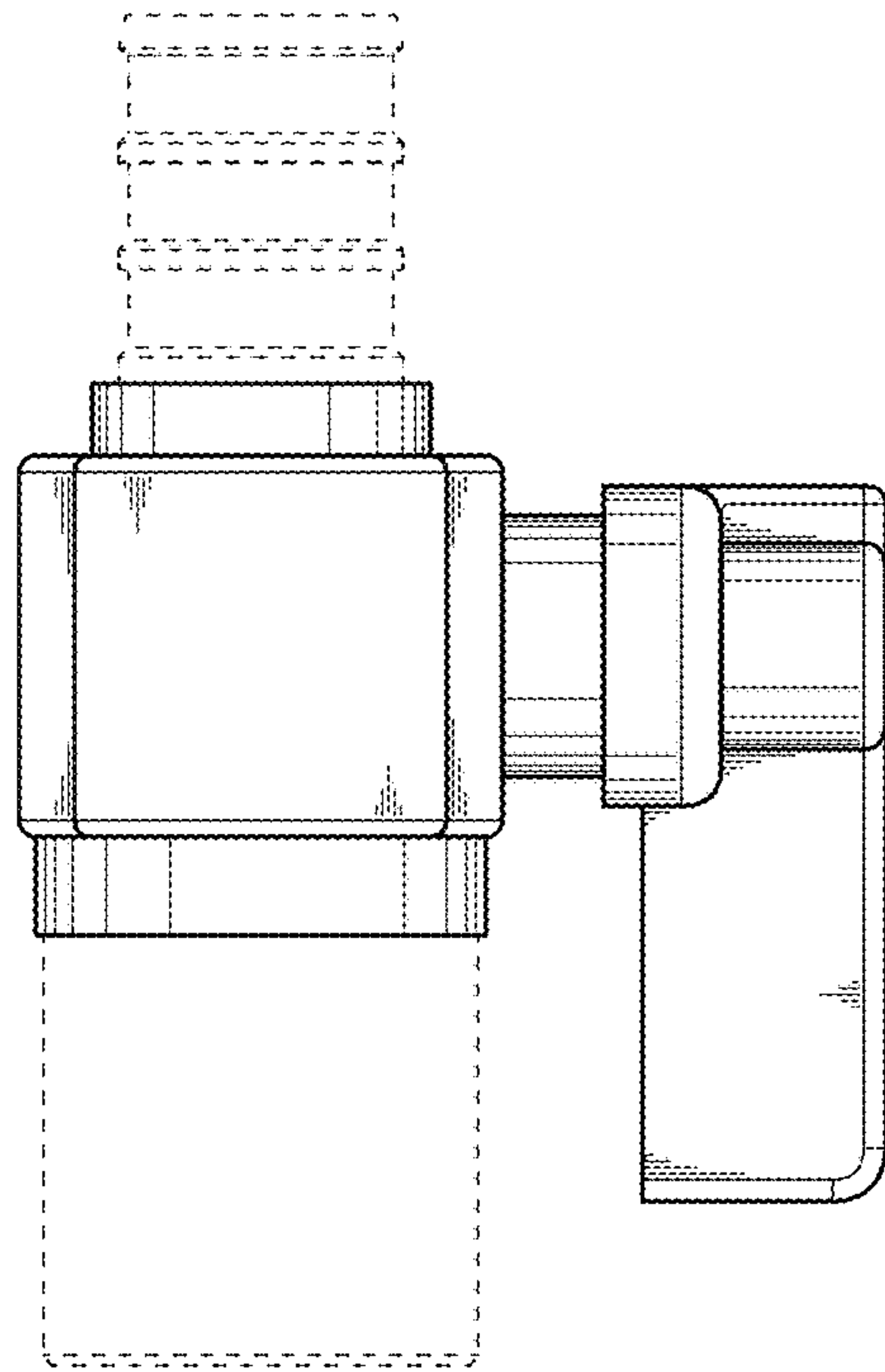


FIG. 4

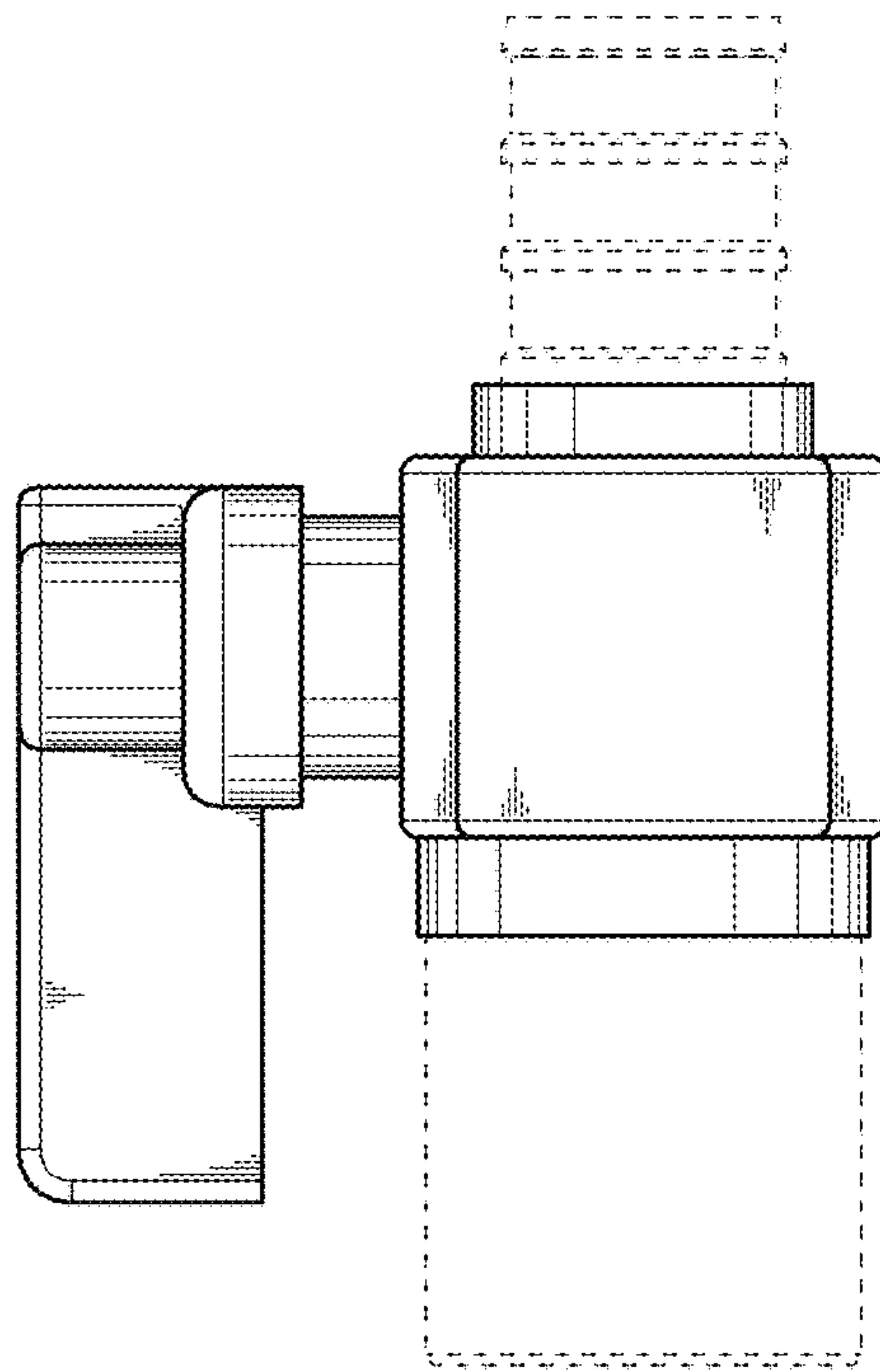


FIG. 5

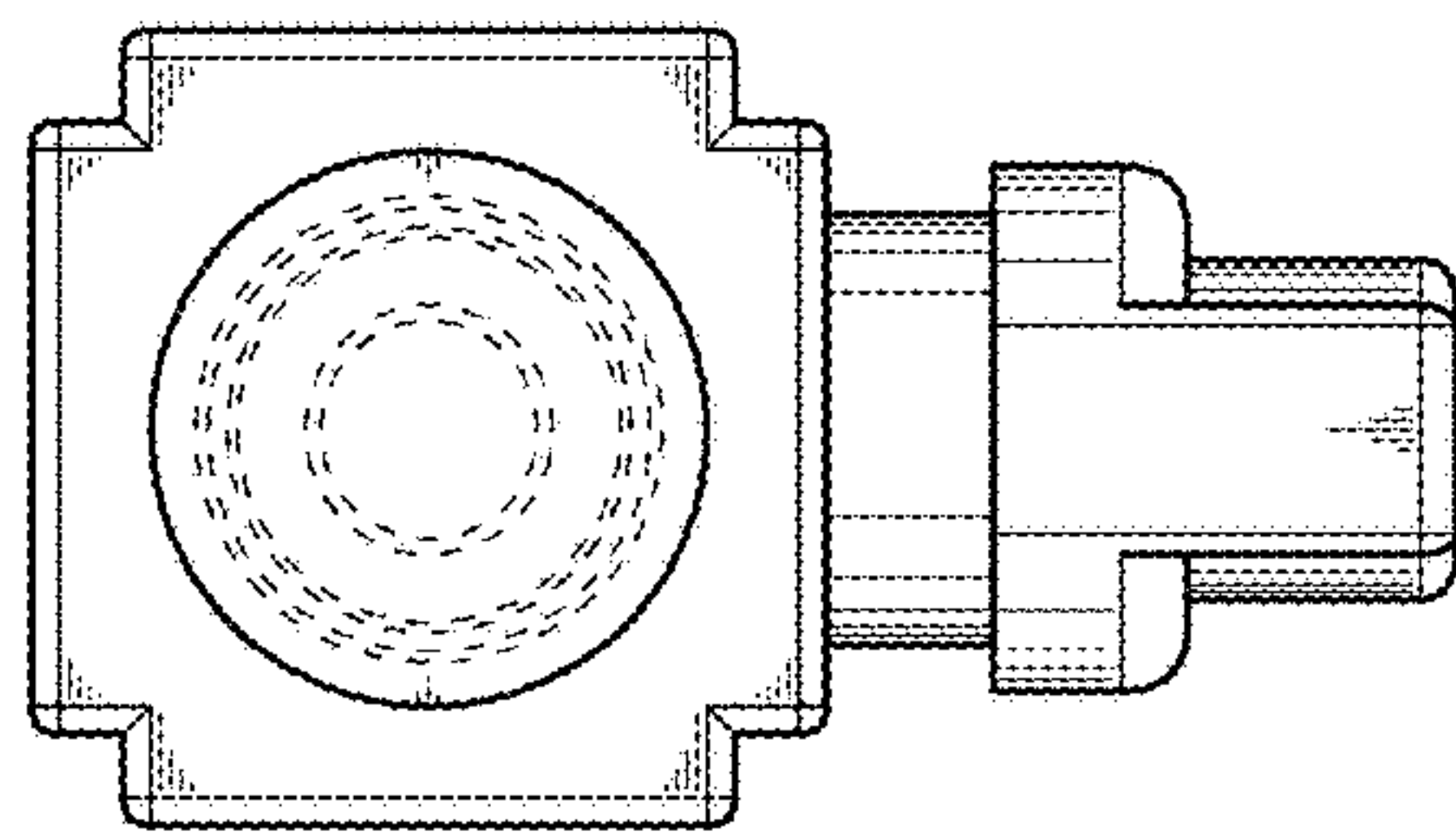


FIG. 6

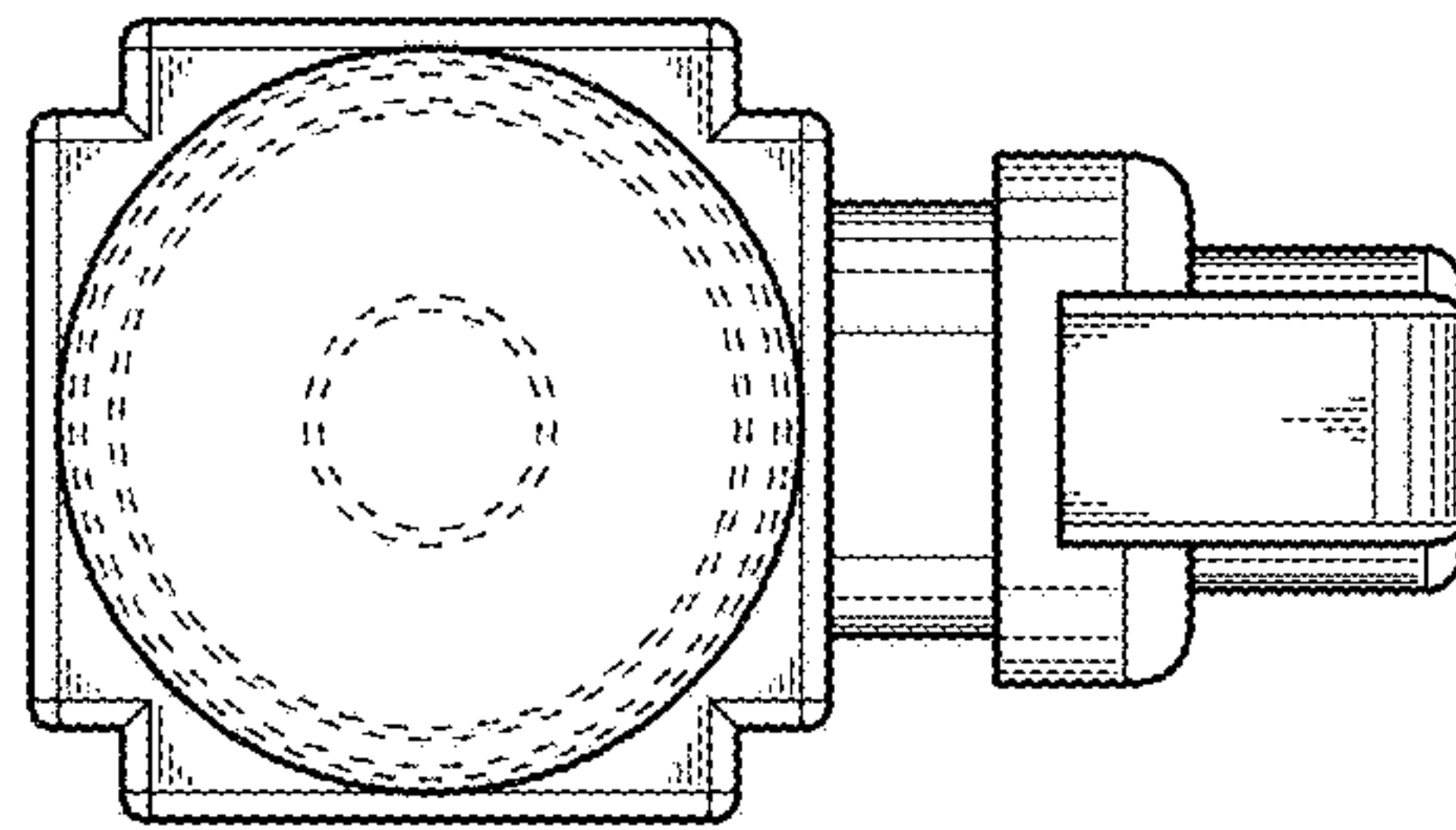


FIG. 7

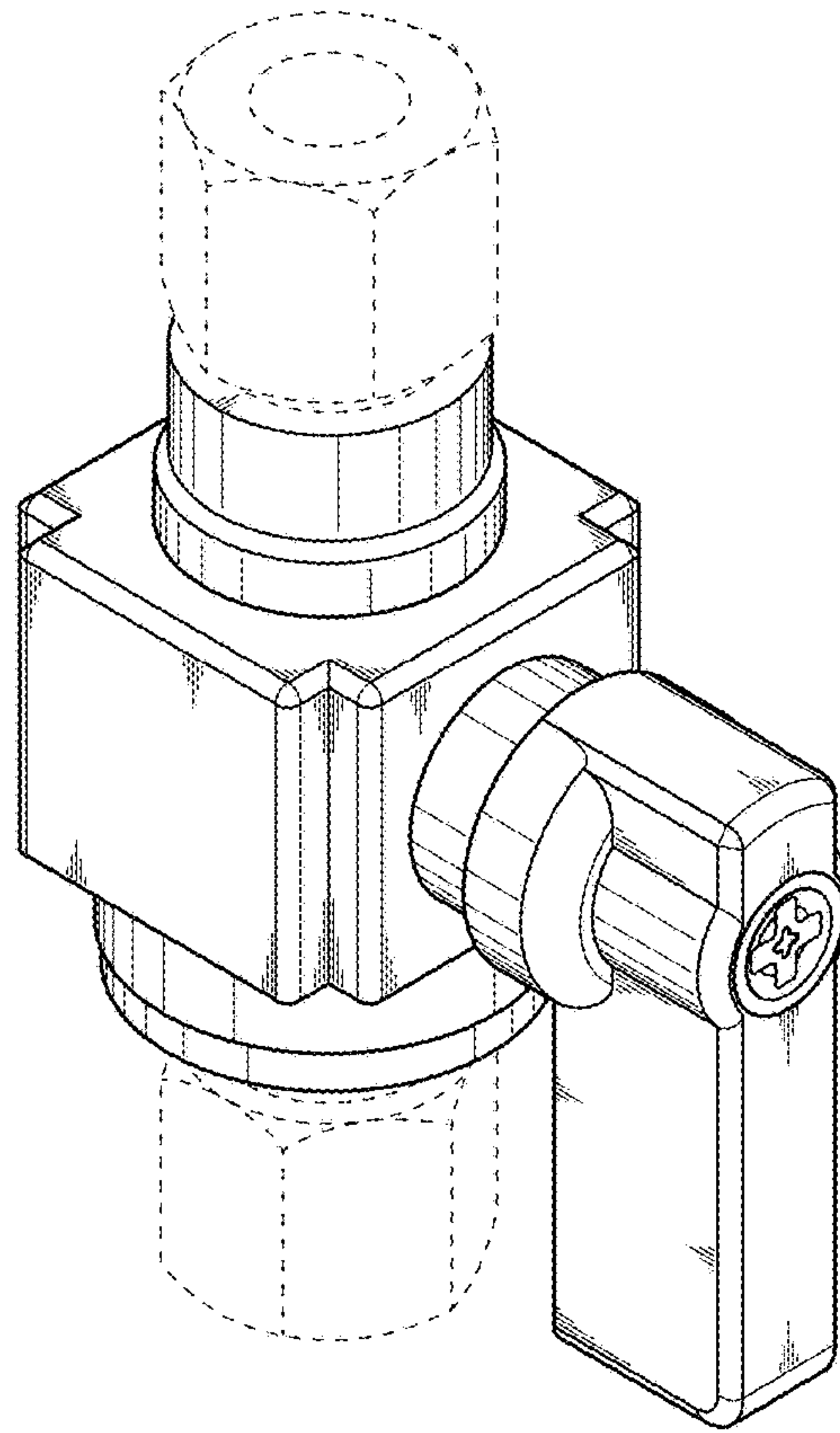


FIG. 8

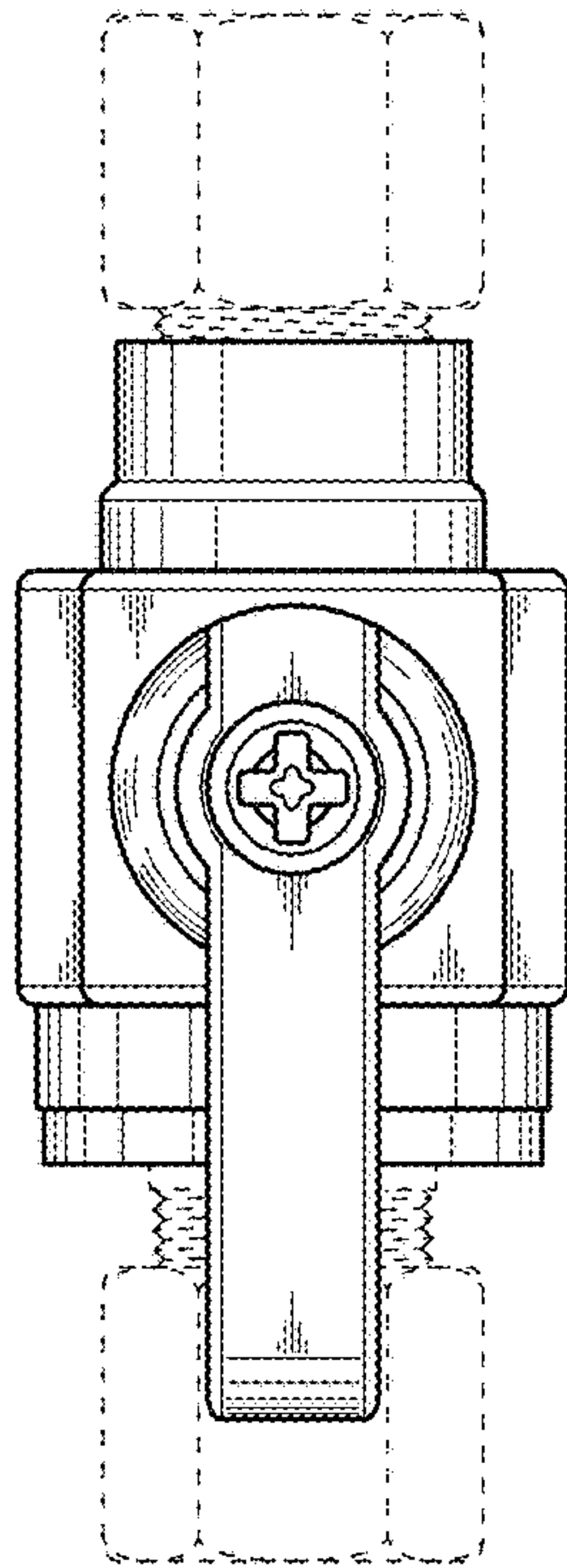


FIG. 9

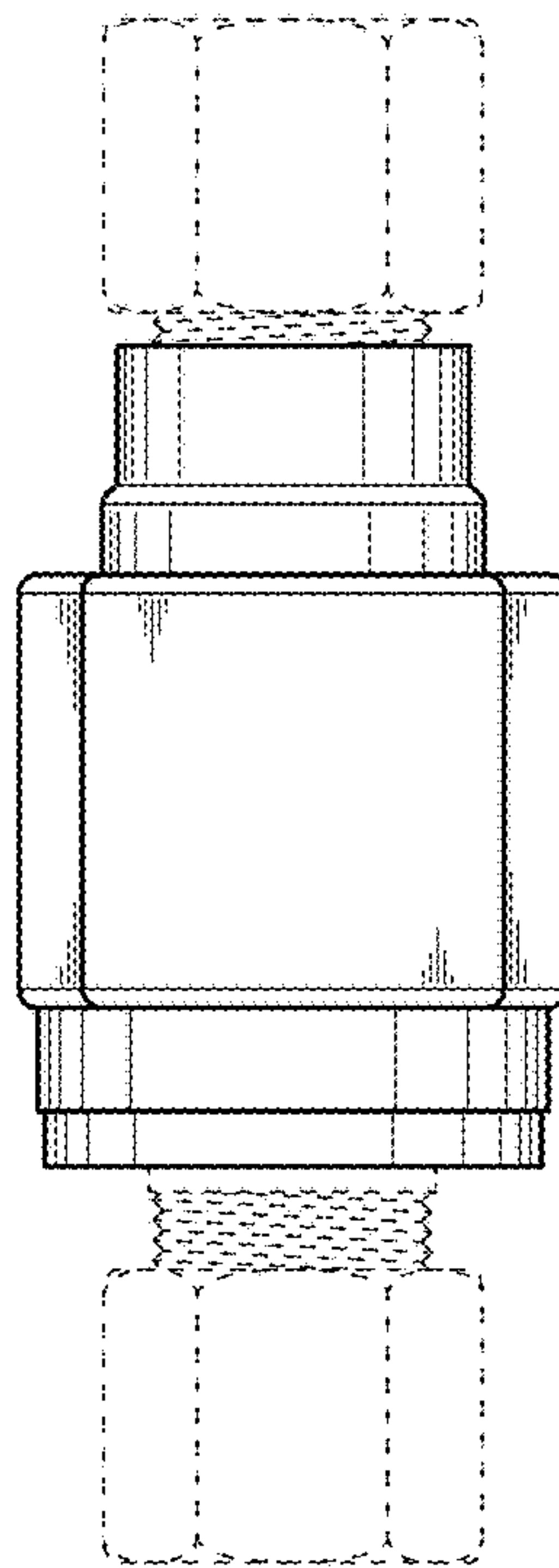


FIG. 10

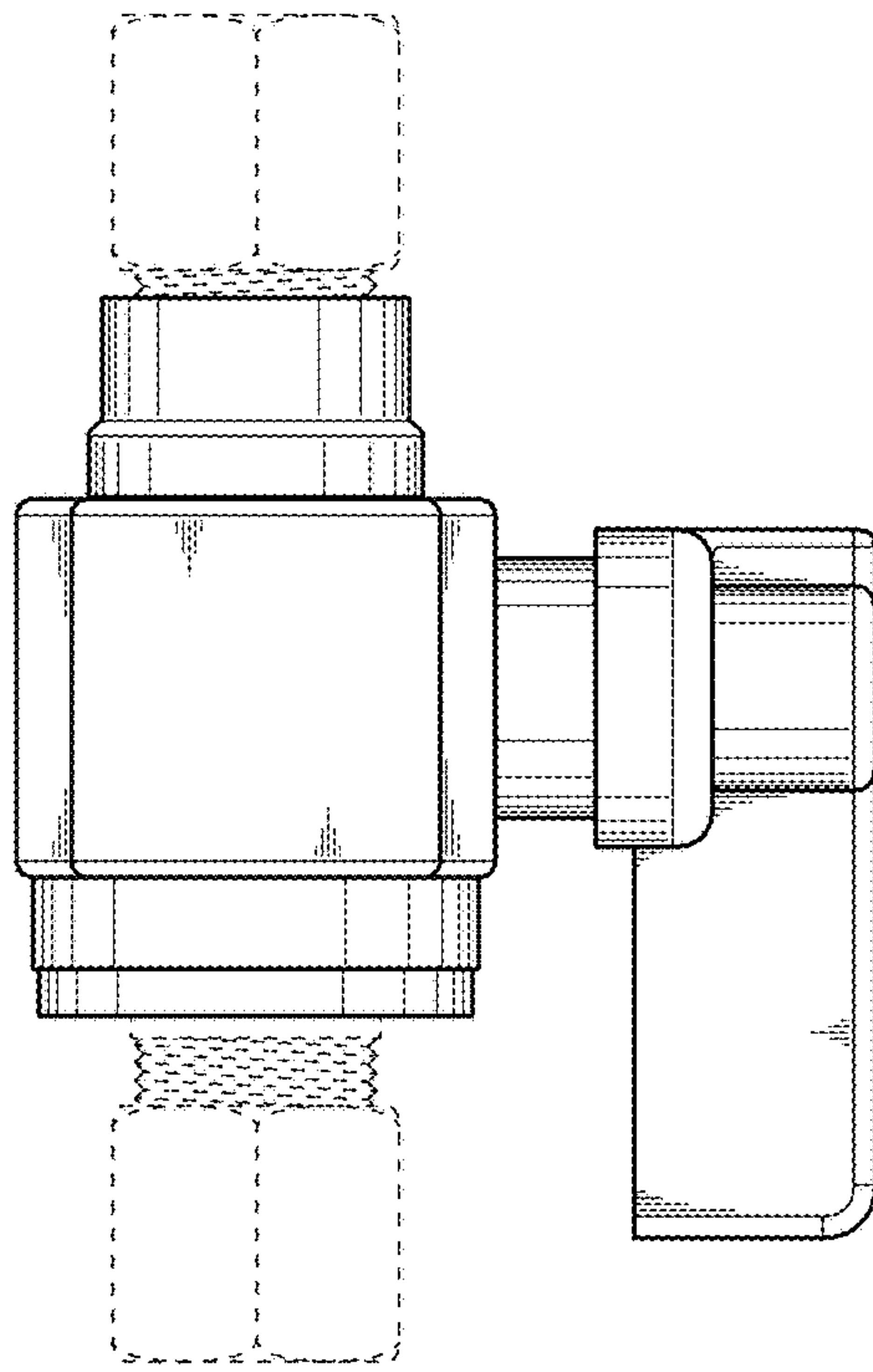


FIG. 11

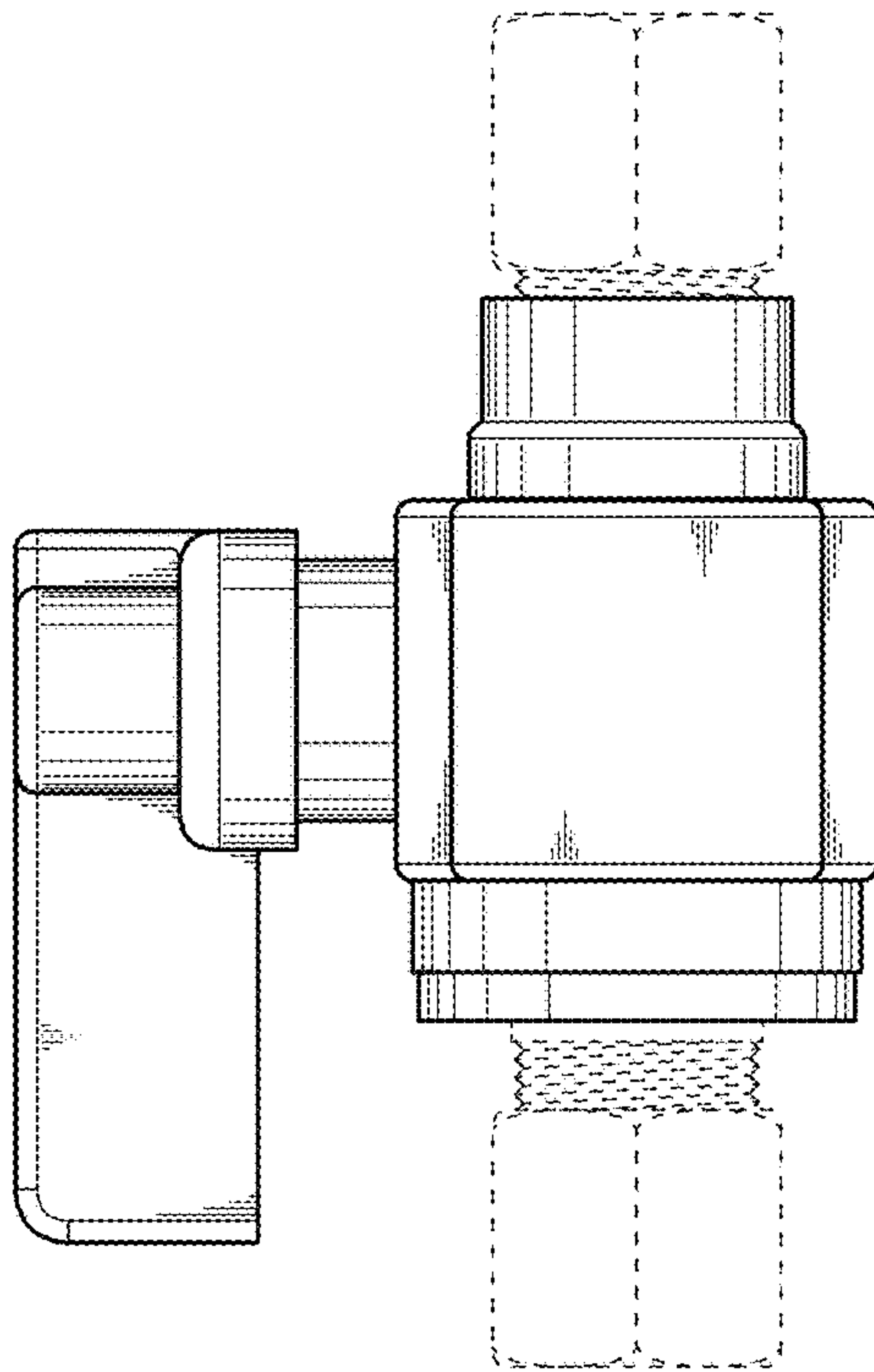


FIG. 12

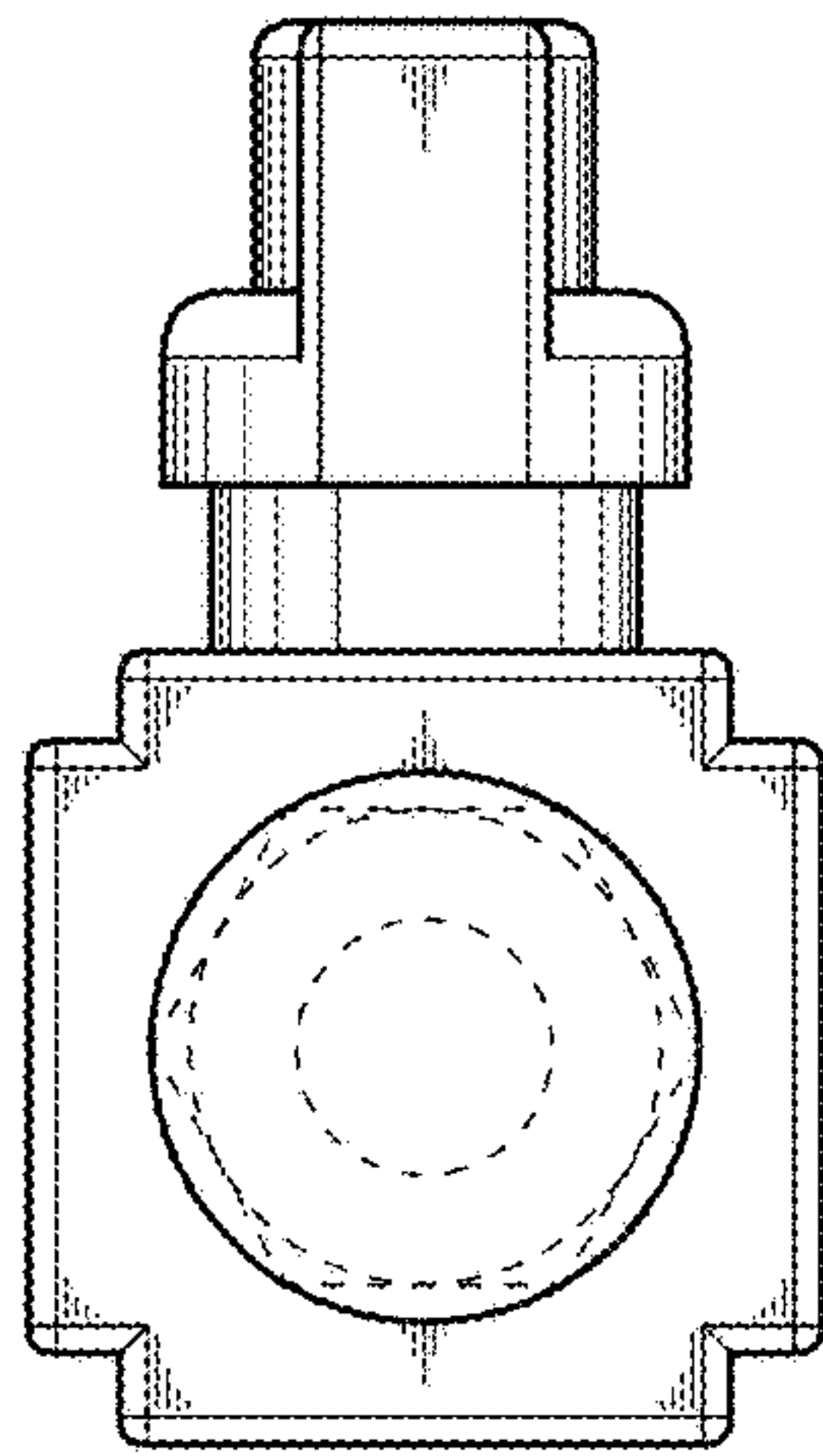


FIG. 13

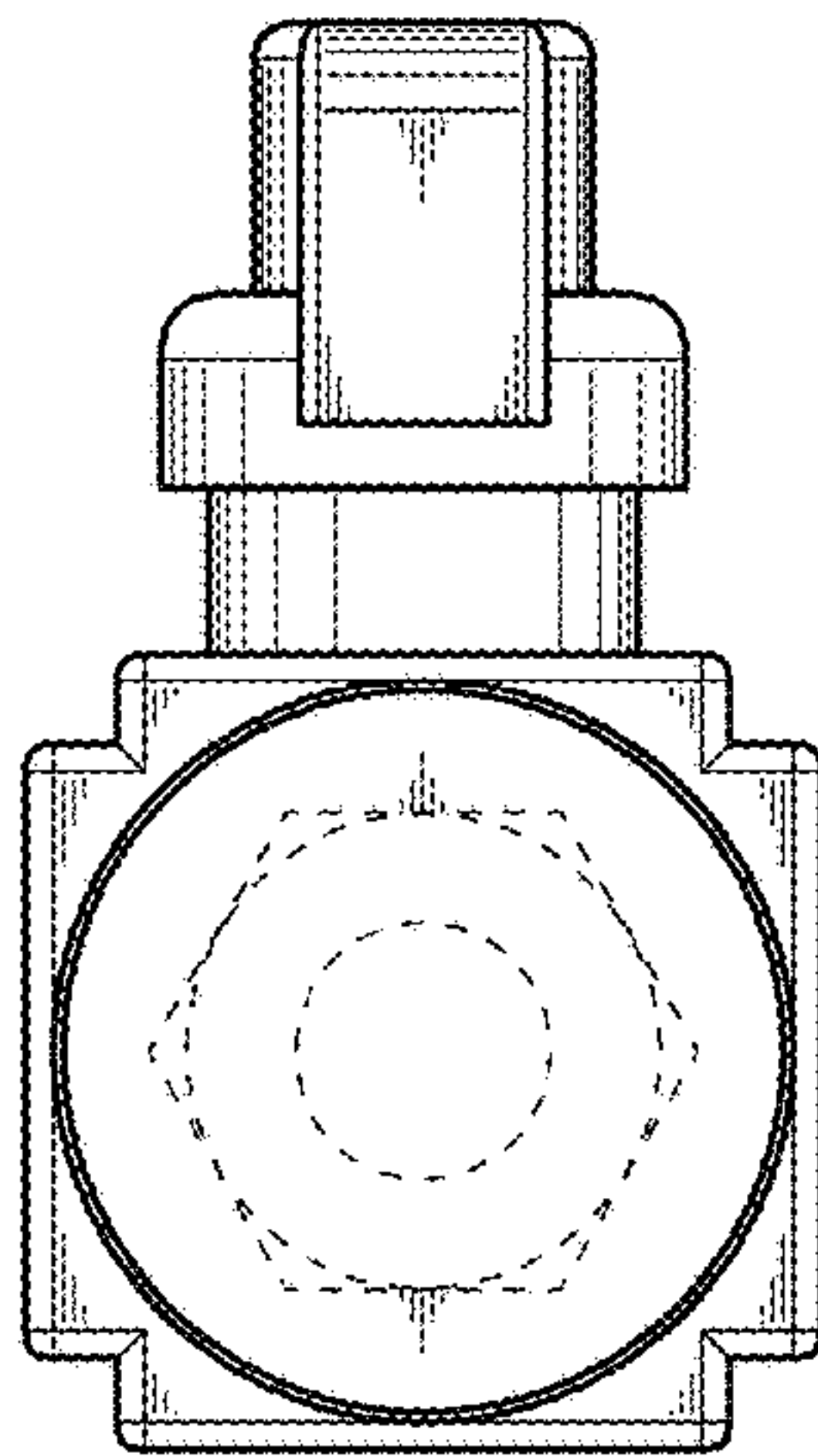


FIG. 14