



US00D854657S

(12) **United States Design Patent** (10) **Patent No.:** **US D854,657 S**  
**Buerli** (45) **Date of Patent:** **\*\* Jul. 23, 2019**

(54) **CONTROL VALVE**

(71) Applicant: **Georg Fischer JRG AG**, Sissach (CH)

(72) Inventor: **Stephan Buerli**, Frenkendorf (CH)

(73) Assignee: **Georg Fischer JRG AG**, Sissach (CH)

(\*\*) Term: **15 Years**

(21) Appl. No.: **29/617,729**

(22) Filed: **Sep. 15, 2017**

(30) **Foreign Application Priority Data**

Apr. 11, 2017 (WO) ..... DM 095 975

(51) **LOC (11) Cl.** ..... **23-01**

(52) **U.S. Cl.**  
USPC ..... **D23/235**

(58) **Field of Classification Search**

USPC ..... D23/233, 235, 237, 241, 242, 244,  
D23/245–249; 137/15.19, 613, 15.21,  
137/312, 614.04, 625.64, 599.11, 614.17,  
137/625.3; 210/241, 141, 222, 316,  
210/195.1; 251/129.11, 318  
CPC .... B29C 53/76; B29C 66/52241; F16L 47/32;  
F16L 41/021

See application file for complete search history.

(56) **References Cited**

U.S. PATENT DOCUMENTS

D621,003	S	*	8/2010	Gramegna	.....	D23/233
D635,644	S	*	4/2011	Yamada	.....	D23/233
D639,392	S	*	6/2011	Yamada	.....	D23/233
D667,082	S	*	9/2012	Fukushima	.....	D23/235
D667,930	S	*	9/2012	Yamada	.....	D23/233
9,599,264	B2		3/2017	Buerli et al.		
D800,258	S	*	10/2017	Komatsuzaki	.....	D23/235

\* cited by examiner

*Primary Examiner* — Cynthia Ramirez

*Assistant Examiner* — Gino Colan

(74) *Attorney, Agent, or Firm* — Harness, Dickey & Pierce, P.L.C.

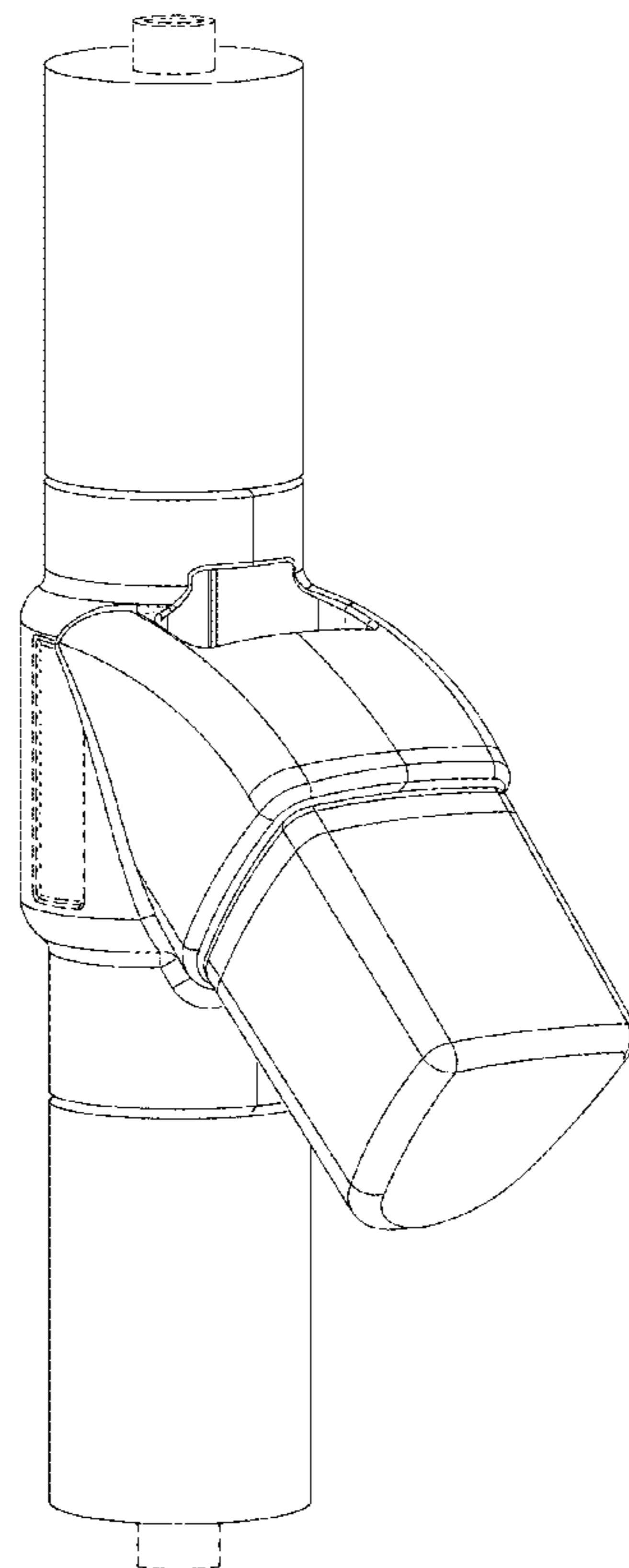
(57) **CLAIM**

The ornamental design for a control valve, as shown and described.

**DESCRIPTION**

FIG. 1 is a front perspective view of a control valve showing my new design;  
FIG. 2 is a top left perspective view thereof; and,  
FIG. 3 is a bottom right perspective view thereof.  
The broken lines shown in the figures are included for the purpose of illustrating portions of the control valve and form no part of the claimed design.

**1 Claim, 3 Drawing Sheets**



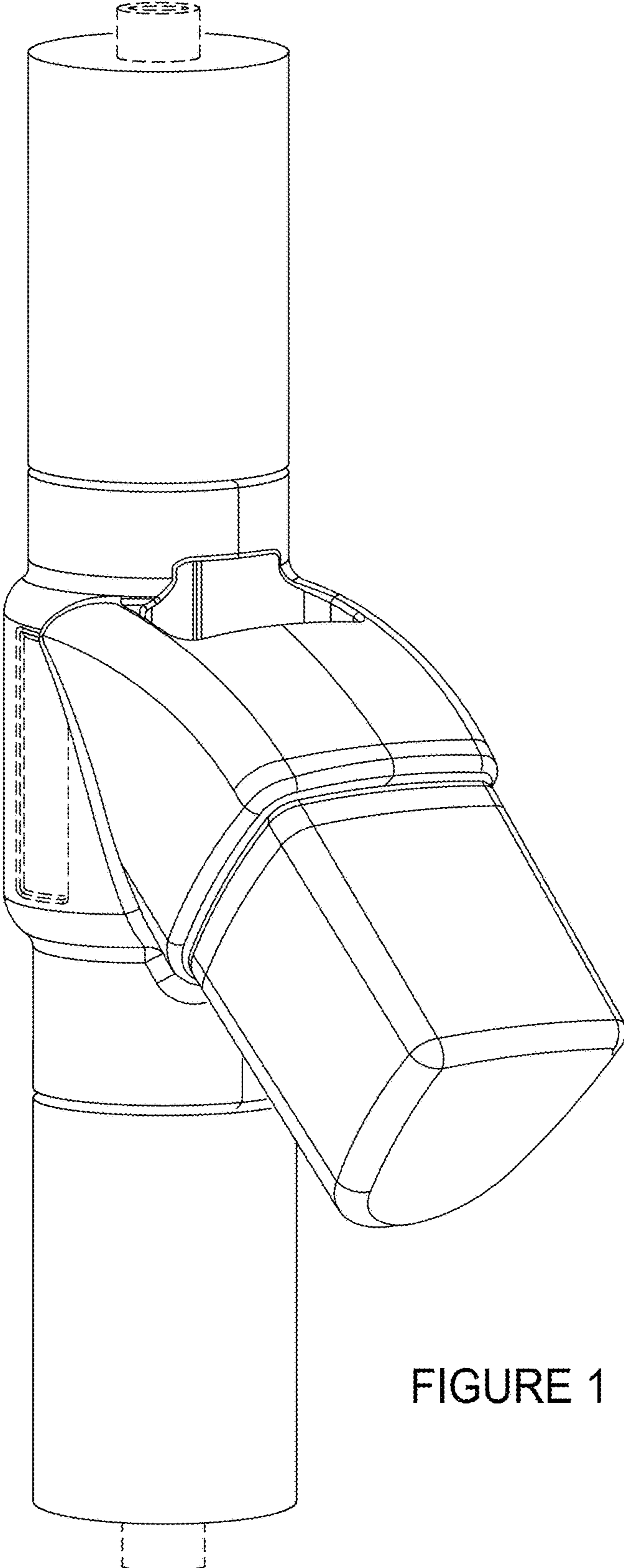


FIGURE 1

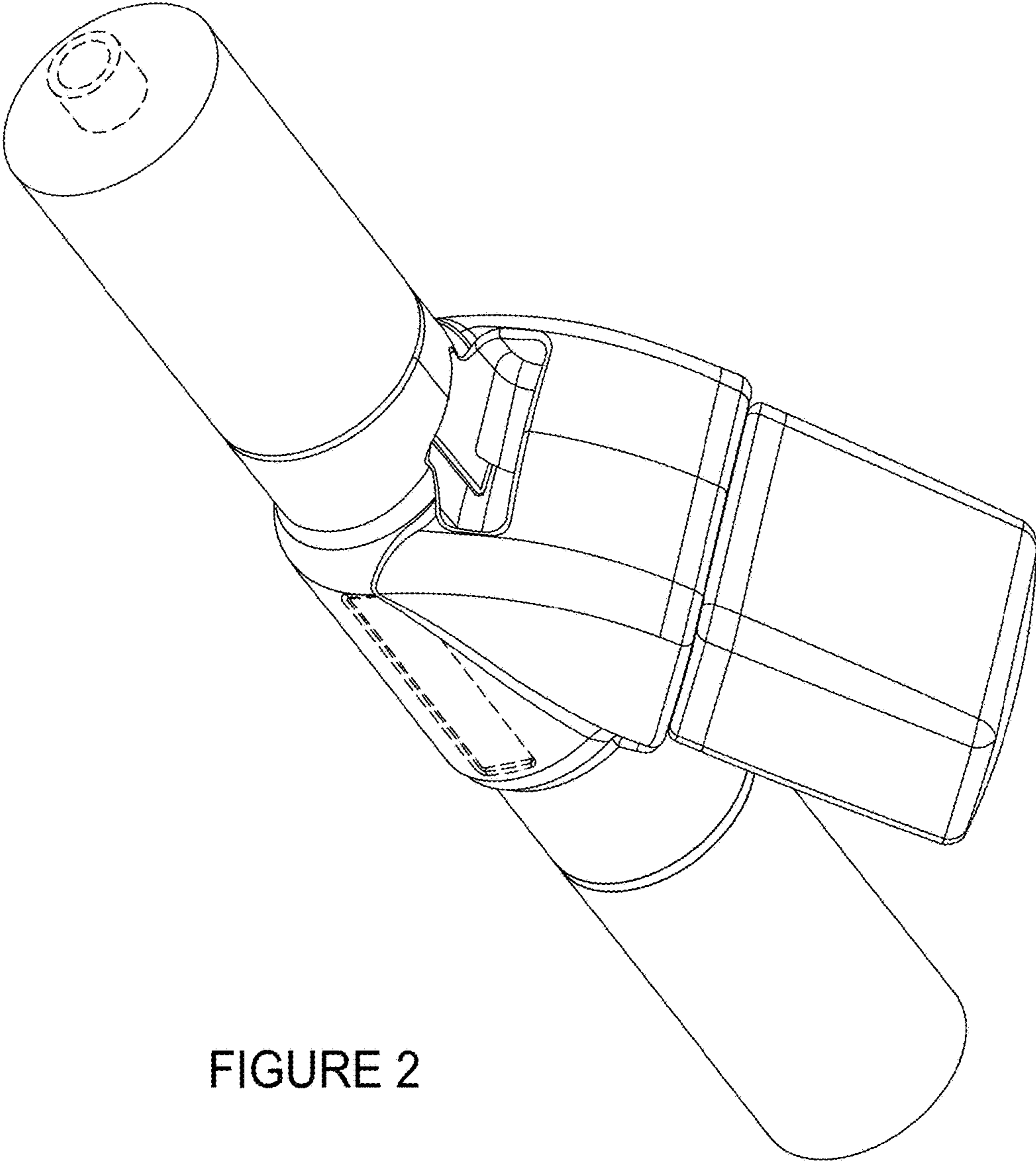


FIGURE 2

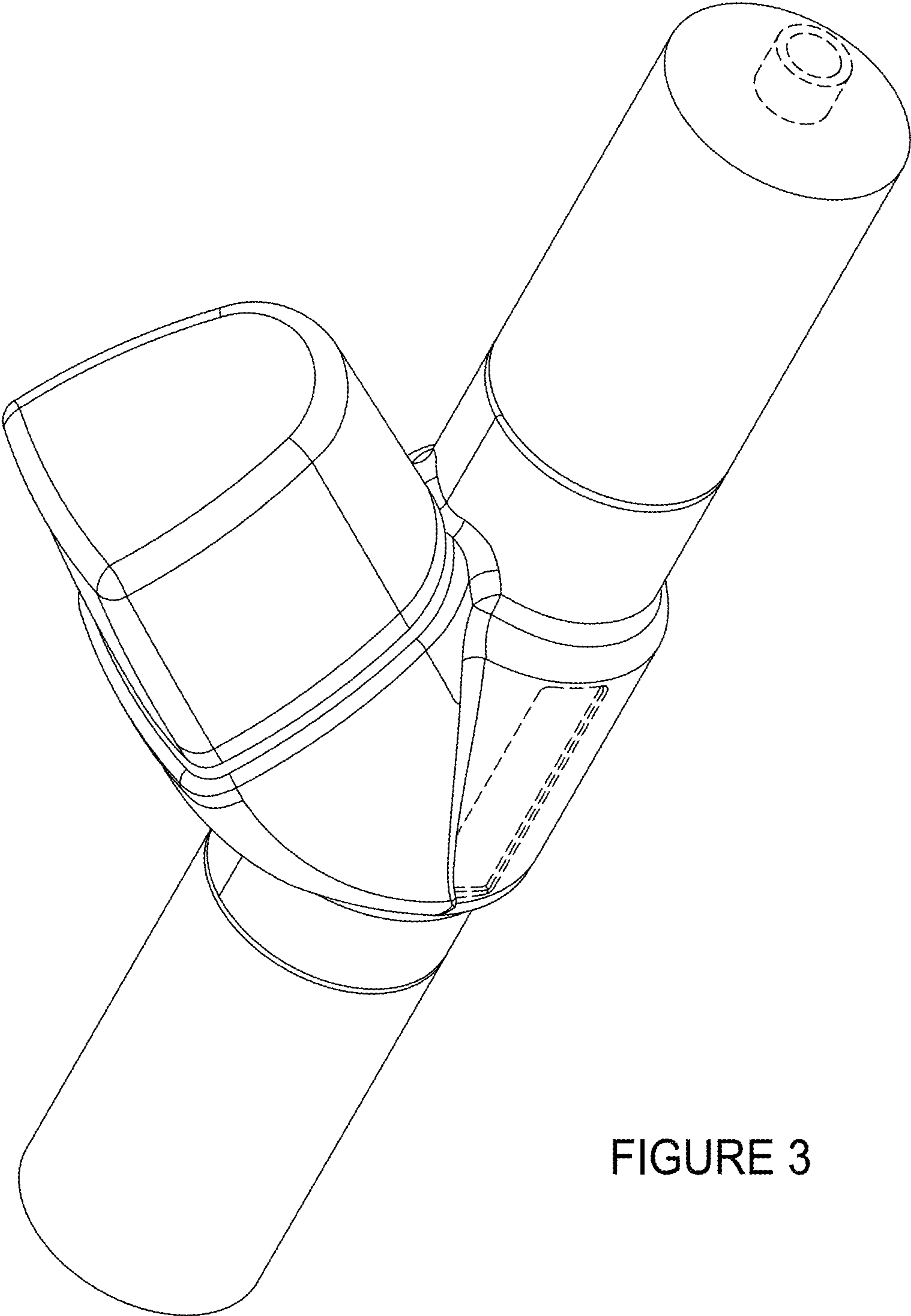


FIGURE 3