



US00D854656S

(12) **United States Design Patent**
Koyama et al.

(10) **Patent No.:** **US D854,656 S**
(45) **Date of Patent:** **** Jul. 23, 2019**

(54) **FLUID CONTROLLER**

(71) Applicants: **NAGANO KEIKI CO., LTD.**, Tokyo (JP); **FUJIKIN INCORPORATED**, Osaka (JP)

(72) Inventors: **Takehiro Koyama**, Tokyo (JP); **Kunihiko Daido**, Osaka (JP); **Katsutoshi Shoji**, Osaka (JP)

(**) Term: **15 Years**

(21) Appl. No.: **35/502,950**

(22) Filed: **Nov. 10, 2016**

(80) **Hague Agreement Data**

Int. Filing Date: **Nov. 10, 2016**
Int. Reg. No.: **DM/094845**
Int. Reg. Date: **Nov. 10, 2016**
Int. Reg. Pub. Date: **May 12, 2017**

(30) **Foreign Application Priority Data**

May 19, 2016 (JP) 2016-010691
May 19, 2016 (JP) 2016-010692

(51) **LOC (11) Cl.** **23-01**

(52) **U.S. Cl.**
USPC **D23/233**

(58) **Field of Classification Search**
USPC D23/233, 235-237; D21/484, 491, 500, D21/501
CPC F16N 35/00; F16N 35/02; F16K 27/003; F15B 13/081; F15B 13/0814; F15B 13/0817; F15B 13/0825; F15B 13/0835; F15B 13/0875

See application file for complete search history.

(56) **References Cited**

U.S. PATENT DOCUMENTS

2,093,341 A * 9/1937 Reiche A63H 33/102 446/104
2,132,647 A * 10/1938 Robins A63H 33/108 446/94

3,474,382 A * 10/1969 Coon H01R 24/58 439/222
3,570,534 A * 3/1971 Beavers B60T 11/24 137/594
3,617,108 A * 11/1971 Fritsch G02B 3/12 359/665
3,654,960 A * 4/1972 Kiernan F15B 13/0817 137/271

(Continued)

Primary Examiner — Keli L Hill

(74) *Attorney, Agent, or Firm* — Mori & Ward, LLP

(57) **CLAIM**

The ornamental design for a fluid controller, as shown and described.

DESCRIPTION

2. Fluid controller

2.1 : Front

2.2 : Top

2.3 : Back

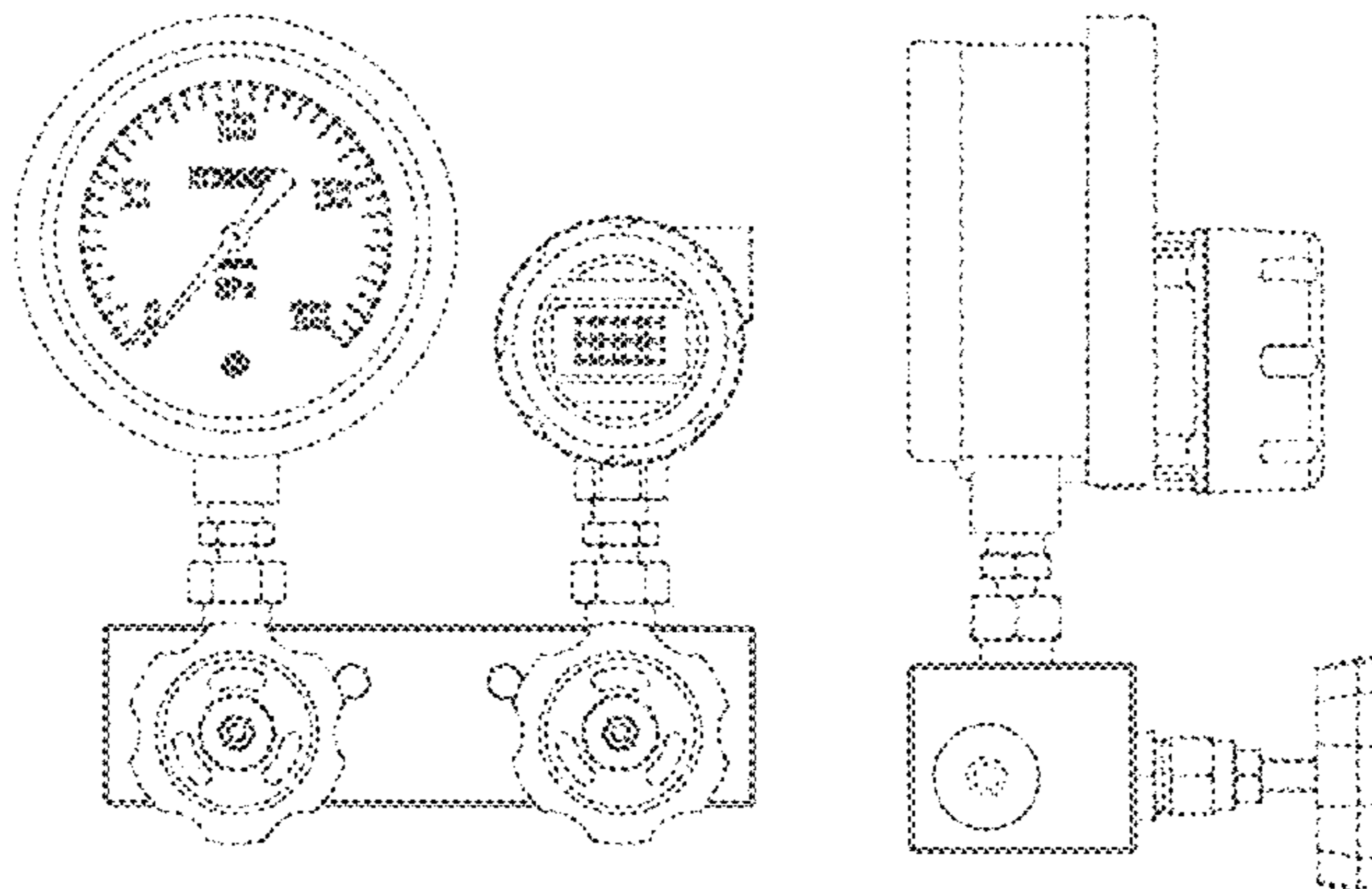
2.4 : Bottom

2.5 : Right

2.6 : Left

The parts shown in the dotted lines form no part of the claimed design; each article is a fluid controller which is used as a part of a hydrogen line and other production lines; in the reproductions **2.1** and **2.3**, the two circles, right and left of the center, that appear on the block are the through holes for inserting the mounting screws; in the reproduction **2.4**, the four small circles, right and left of the center, that appear on the block are the holes for leak check and interior structures of the top two circles being shown in dotted lines and disclaimed; the triple circle which appears on the block in the reproductions **2.5** and **2.6** is a pipe connecting port with the two innermost circles of the triple circle being shown in dotted lines and disclaimed.

1 Claim, 6 Drawing Sheets



(56)

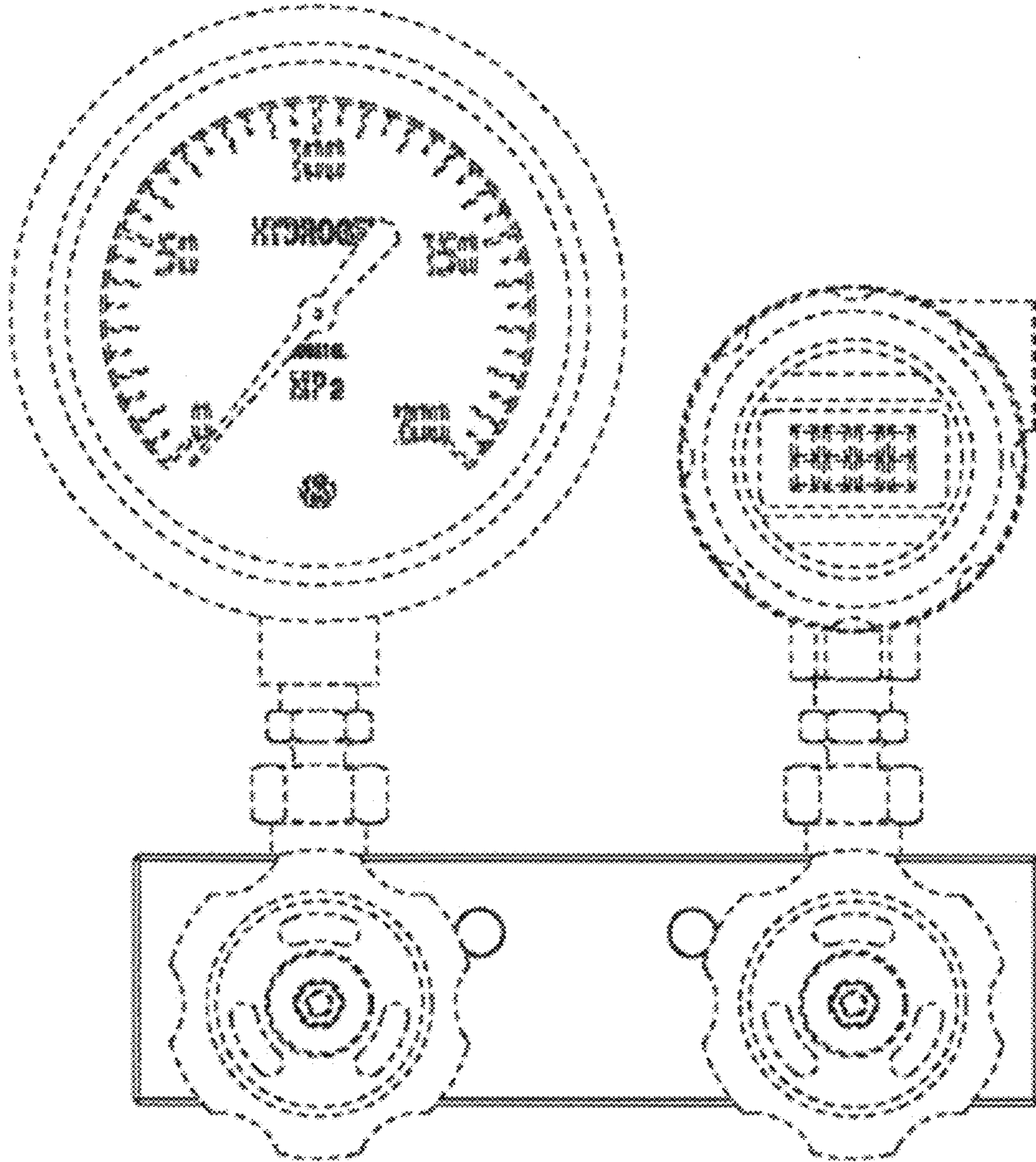
References Cited

U.S. PATENT DOCUMENTS

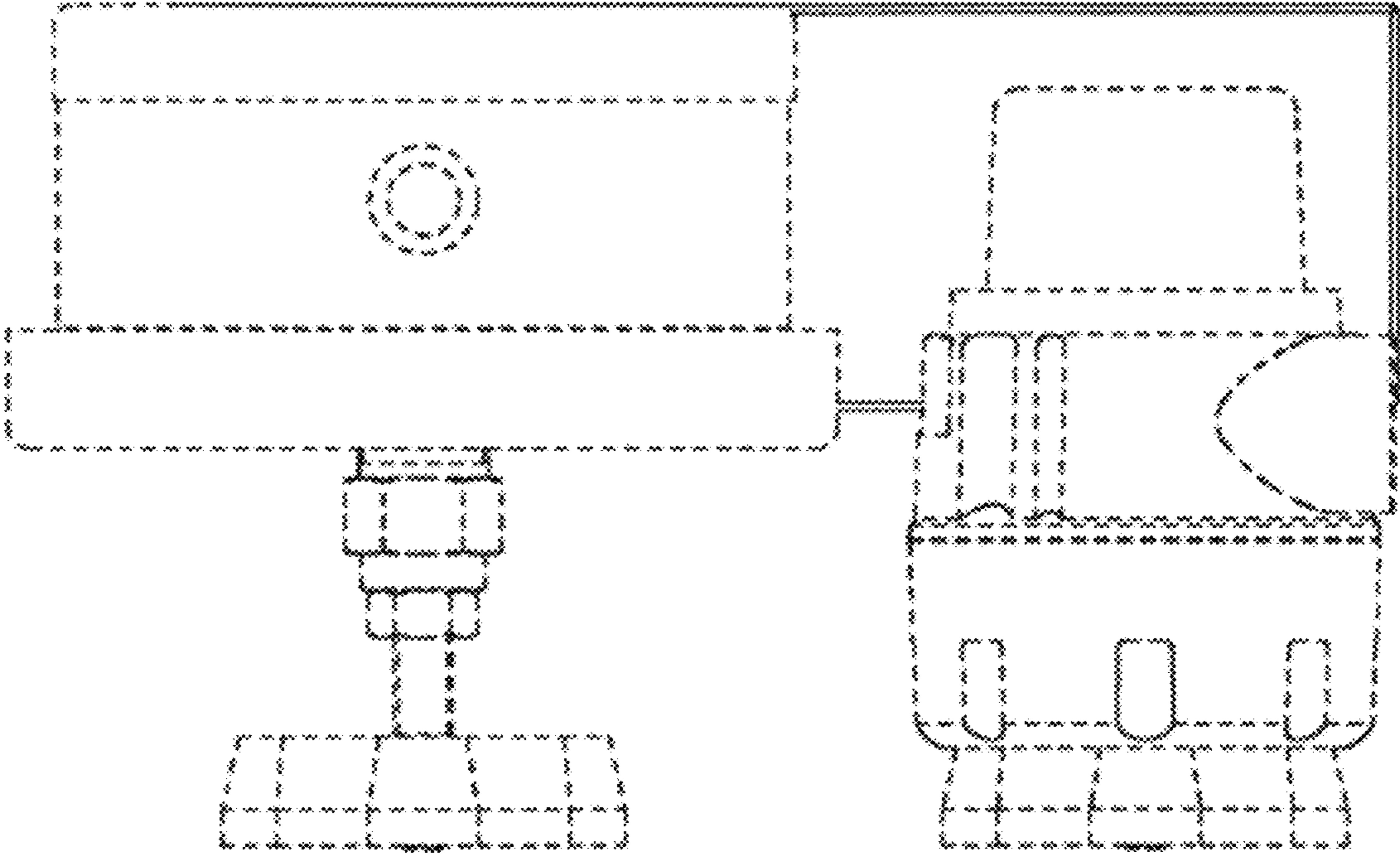
3,680,589 A *	8/1972	Jeans	F15B 13/0814	7,357,141 B2 *	4/2008	Janietz	F15B 13/081
				137/271					137/1
D232,085 S *	7/1974	Benzing	D10/49	D578,549 S *	10/2008	Nimberger	D15/5
D259,934 S *	7/1981	Lovret	D15/5	D608,416 S *	1/2010	Schmidt	F16K 27/003
D288,910 S *	3/1987	Linzer	D10/103					D23/233
4,758,195 A *	7/1988	Walsh	A63H 33/04	D619,219 S *	7/2010	Waymire	D23/237
				401/196	D633,181 S *	2/2011	Shinohara	D23/245
D368,130 S *	3/1996	Itafuji	D23/233	8,220,495 B2 *	7/2012	Nakata	F16K 27/003
5,709,247 A *	1/1998	Hutton	F15B 13/0814					137/884
				137/597	D687,125 S *	7/2013	Hawes	F16N 25/02
D513,307 S *	12/2005	Funes	D23/233					D23/233
7,004,199 B1 *	2/2006	Funes	F17D 1/04	D690,392 S *	9/2013	Miyazoe	D23/233
				137/884	D697,146 S *	1/2014	Richards	D21/484
D518,875 S *	4/2006	Fukushima	D23/233	D731,620 S *	6/2015	Galle	F15B 13/081
D521,596 S *	5/2006	Nimberger	A63H 33/04					D23/233
				D15/5	9,212,755 B2 *	12/2015	Kuriki	F16K 27/003
D521,597 S *	5/2006	Nimberger	D23/233	D752,715 S *	3/2016	Yakushijin	E04B 2/18
7,191,571 B2 *	3/2007	Schools	E04B 2/18					D23/233
				52/439	9,309,983 B2 *	4/2016	Yogo	F16K 27/003
D548,818 S *	8/2007	Feng	F15B 13/0814	9,470,363 B2 *	10/2016	Roys	F16N 25/02
				D23/233	D800,871 S *	10/2017	Arai	B60T 11/24
									D23/233
					D829,863 S *	10/2018	Miyazoe	D23/233

* cited by examiner

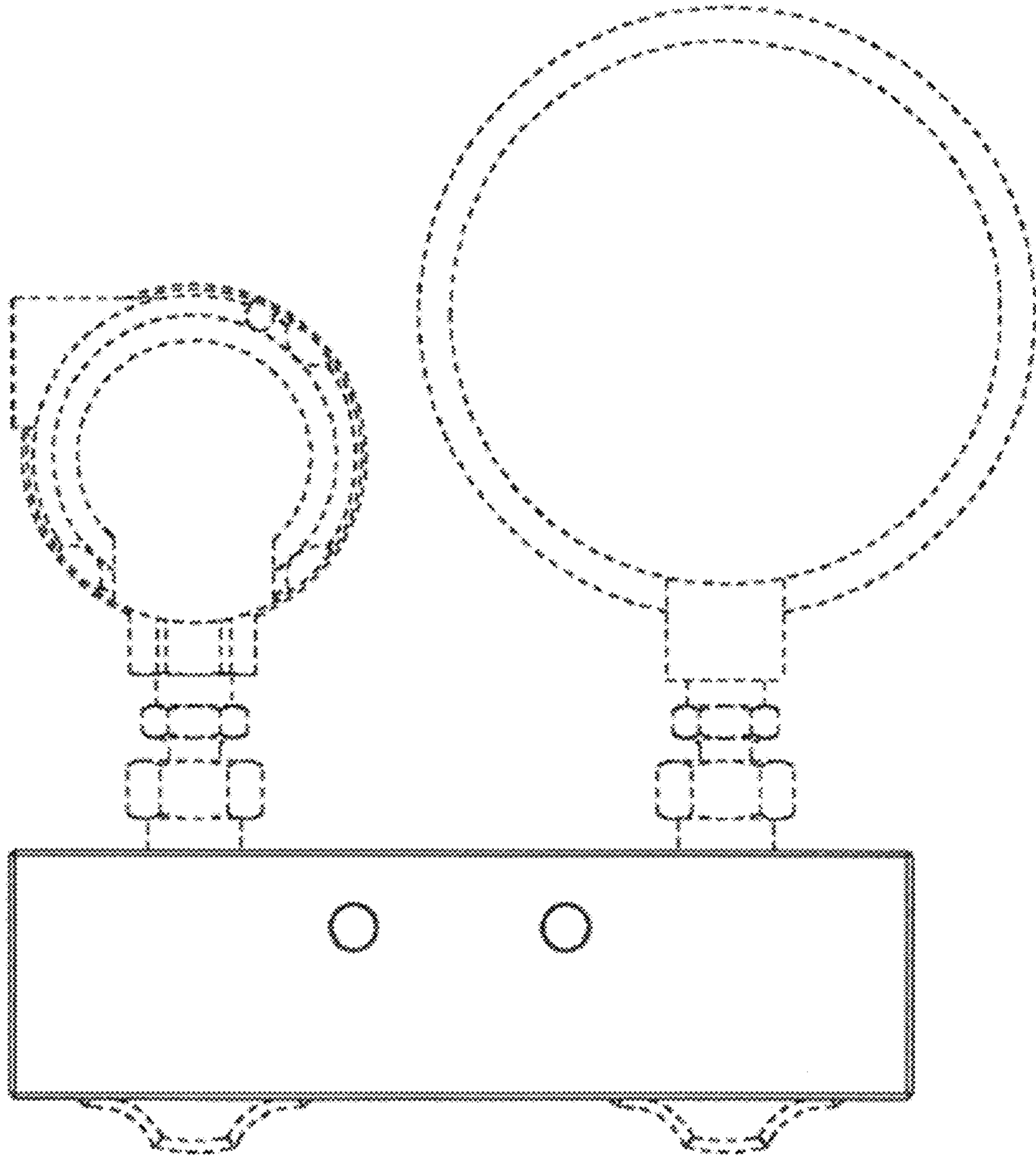
2.1



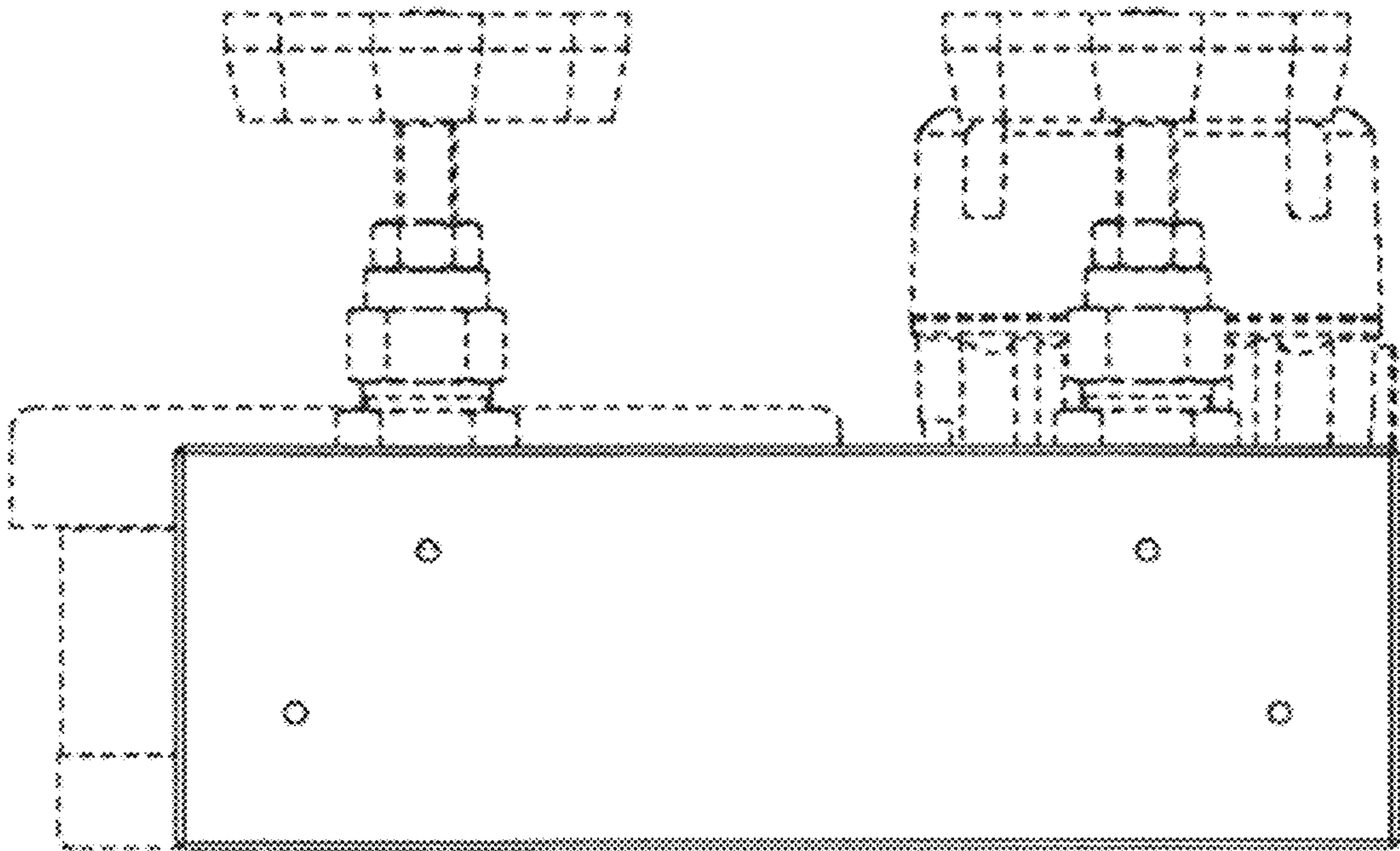
2.2



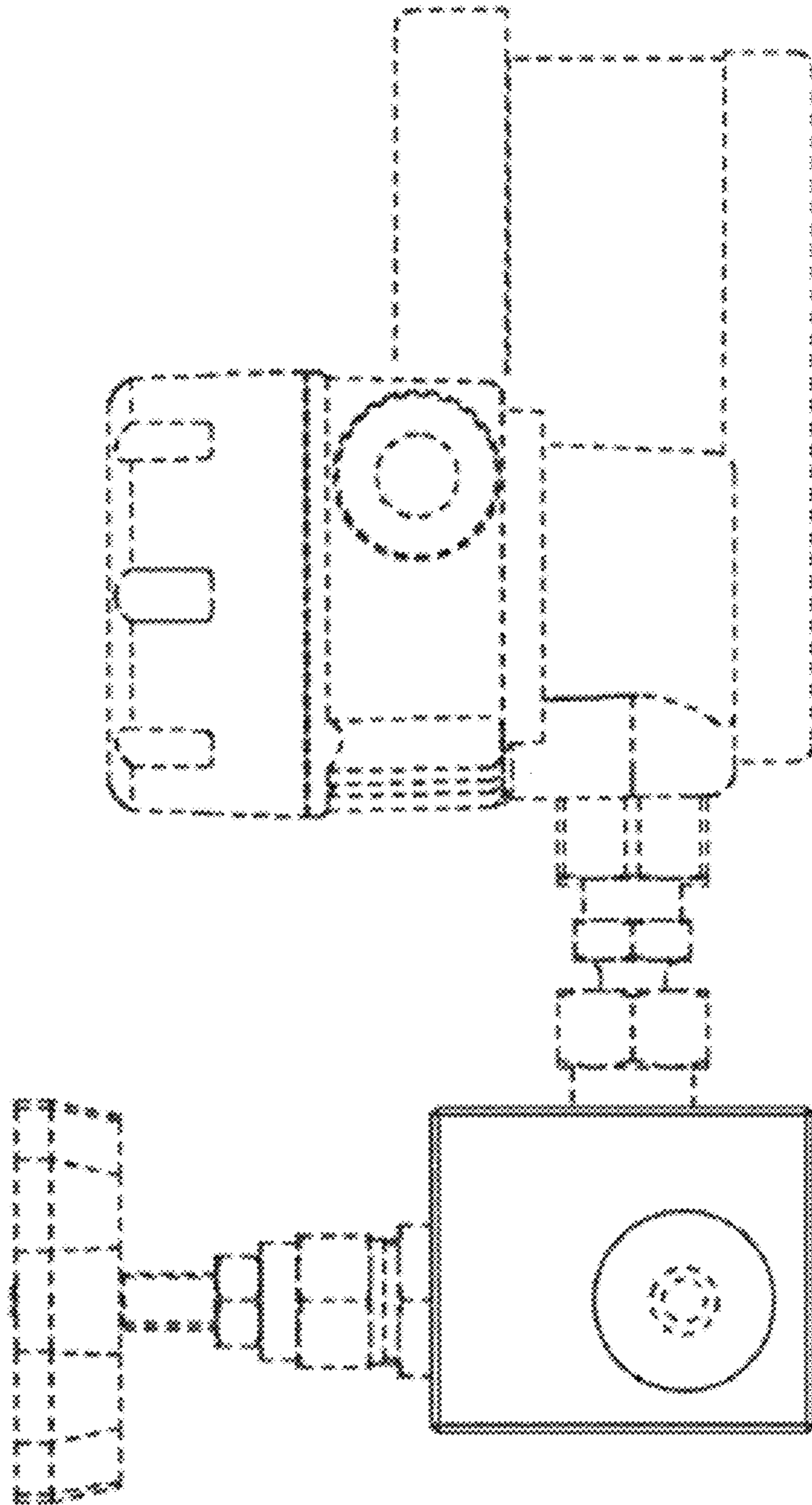
2.3



2.4



2.5



2.6

