



US00D854655S

(12) **United States Design Patent** (10) **Patent No.:** **US D854,655 S**
Satake et al. (45) **Date of Patent:** **** Jul. 23, 2019**

(54) **EXPANSION VALVE**
(71) Applicant: **TGK CO., LTD.**, Tokyo (JP)
(72) Inventors: **Ryosuke Satake**, Tokyo (JP); **Takeshi Kaneko**, Tokyo (JP); **Yuta Iwamoto**, Tokyo (JP)
(73) Assignee: **TGK CO., LTD.**, Tokyo (JP)

D782,009 S * 3/2017 Watanabe D23/233
D782,010 S * 3/2017 Watanabe D23/233
D799,009 S * 10/2017 Satake D23/233
D799,640 S * 10/2017 Satake D23/233
D800,256 S * 10/2017 Satake D23/233
D826,379 S * 8/2018 Hayakawa D23/233
D826,380 S * 8/2018 Hayakawa D23/233
D827,092 S * 8/2018 Hayakawa D23/233

(**) Term: **15 Years**
(21) Appl. No.: **29/612,660**

FOREIGN PATENT DOCUMENTS

EM 002836304-0001 10/2015
EM 002836304-0002 10/2015
EM 003399195-0001 9/2016

(22) Filed: **Aug. 2, 2017**
(51) **LOC (11) Cl.** **23-01**
(52) **U.S. Cl.**
USPC **D23/233**
(58) **Field of Classification Search**
USPC D23/233, 234–237, 244–249; 137/15.04,
137/549, 597, 625.29, 625.4, 625.47;
251/62, 63, 63.5, 129.1, 129.16–129.18,
251/149.1, 214, 309–310; 62/527, 225,
62/126, 324.1, 202, 211, 115
CPC F25B 41/062; F25B 2600/2513; F25B
2341/065; F16K 31/002; F16K 31/025
See application file for complete search history.

* cited by examiner

Primary Examiner — Cynthia Ramirez
Assistant Examiner — Gino Colan
(74) *Attorney, Agent, or Firm* — Penilla IP, APC

(56) **References Cited**

(57) **CLAIM**

The ornamental design for an expansion valve, as shown and described.

U.S. PATENT DOCUMENTS

DESCRIPTION

D440,632 S 4/2001 Fukuda et al. D23/233
D589,118 S 3/2009 Watanabe D23/233
D649,222 S 11/2011 Kobayashi et al. D23/233
D683,815 S * 6/2013 Kobayashi D23/233
D683,816 S * 6/2013 Kobayashi D23/233
D712,010 S 8/2014 Okutsu et al. D23/233
D754,818 S 4/2016 Watanabe et al. D23/233

FIG. 1 is a front perspective view of an expansion valve showing our new design;
FIG. 2 is a rear perspective view thereof;
FIG. 3 is a front view thereof;
FIG. 4 is a rear view thereof;
FIG. 5 is a top view thereof;
FIG. 6 is a bottom view thereof; and,
FIG. 7 is a right side view thereof, the left side view being a mirror image thereof.
The broken lines are for the purpose of illustrating portions of the expansion valve and form no part of the claimed design.

1 Claim, 7 Drawing Sheets

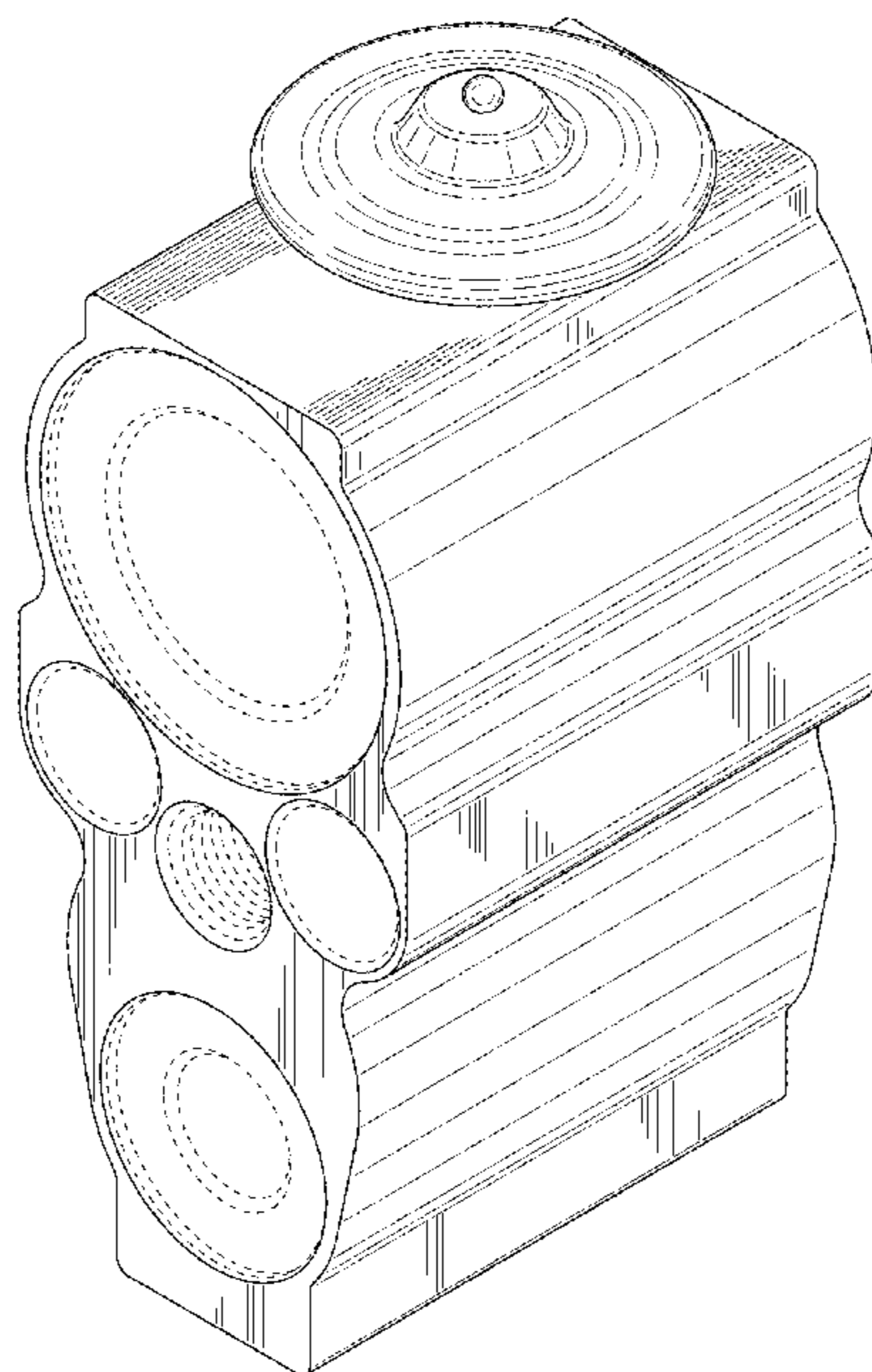


FIG. 1

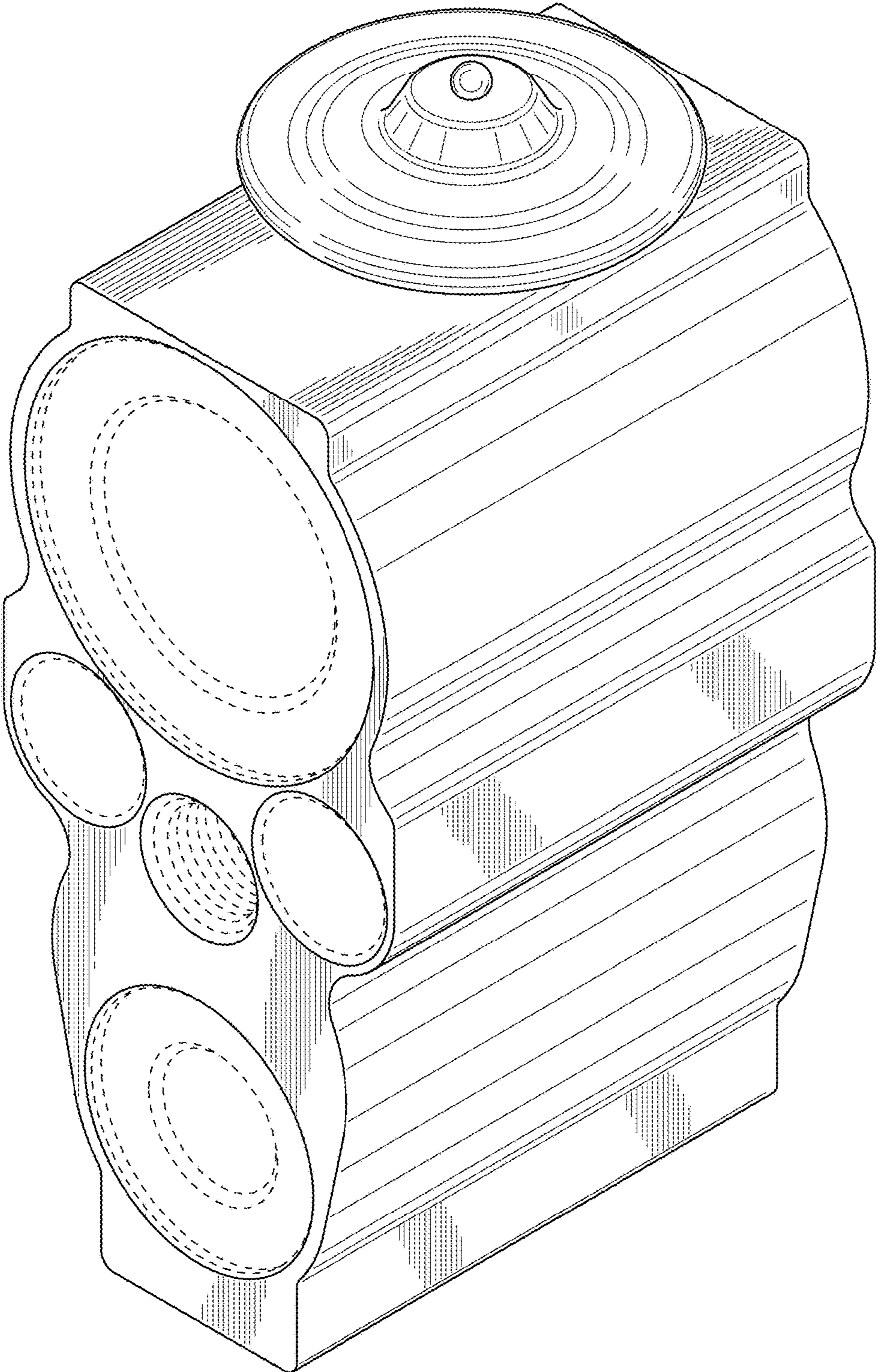


FIG. 2

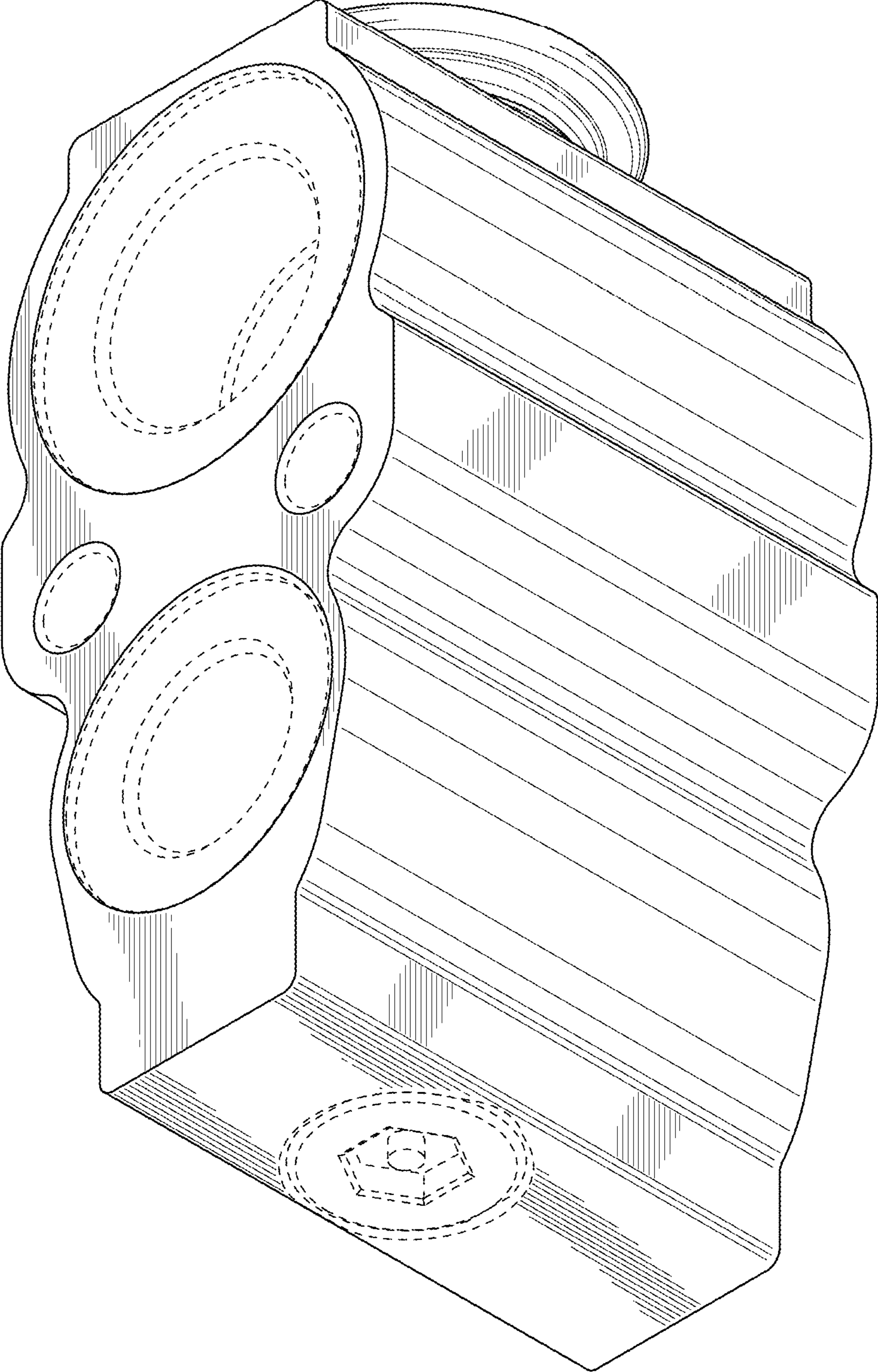


FIG. 3

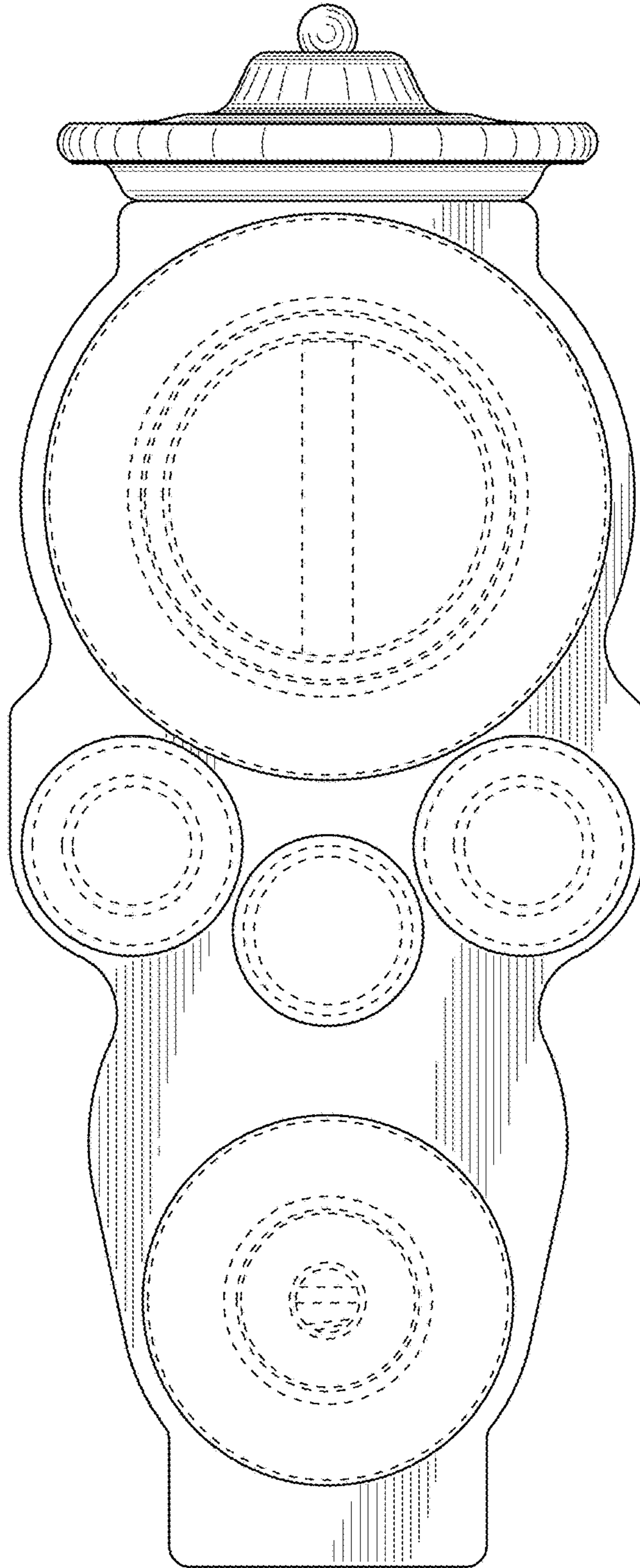


FIG. 4

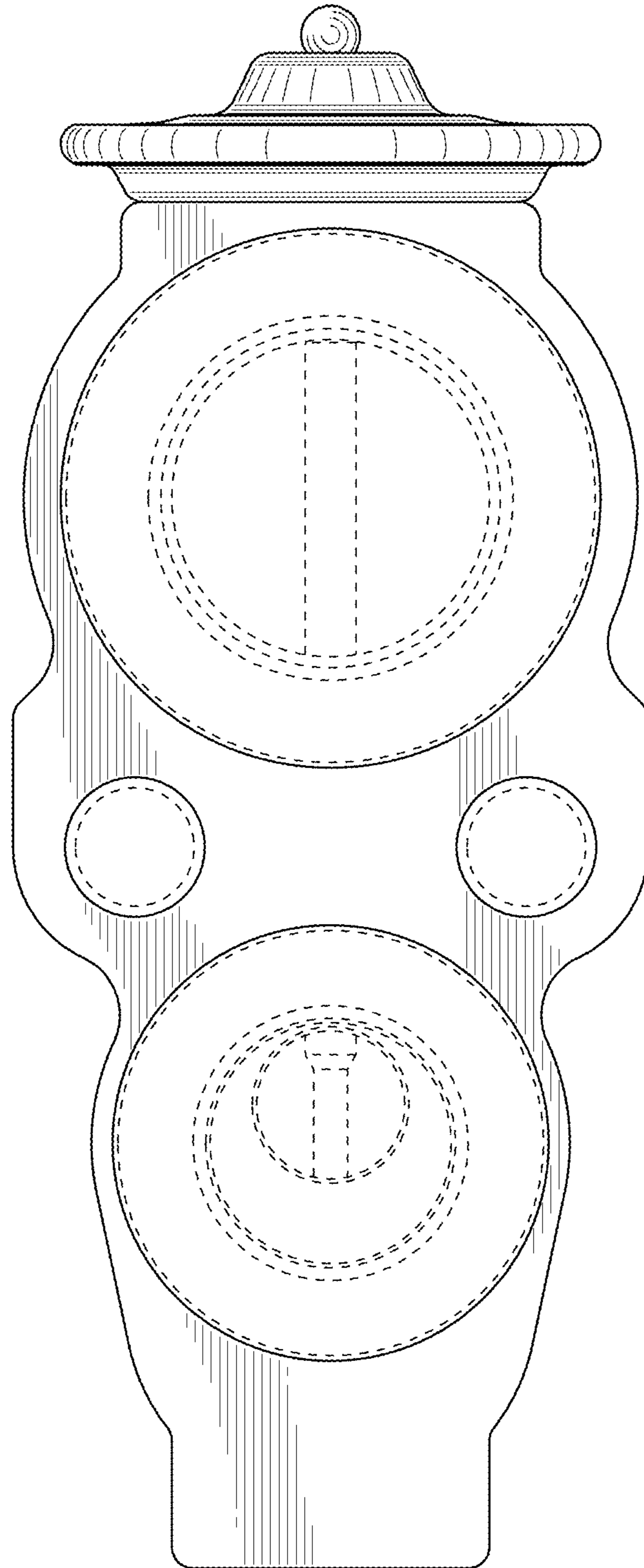


FIG. 5

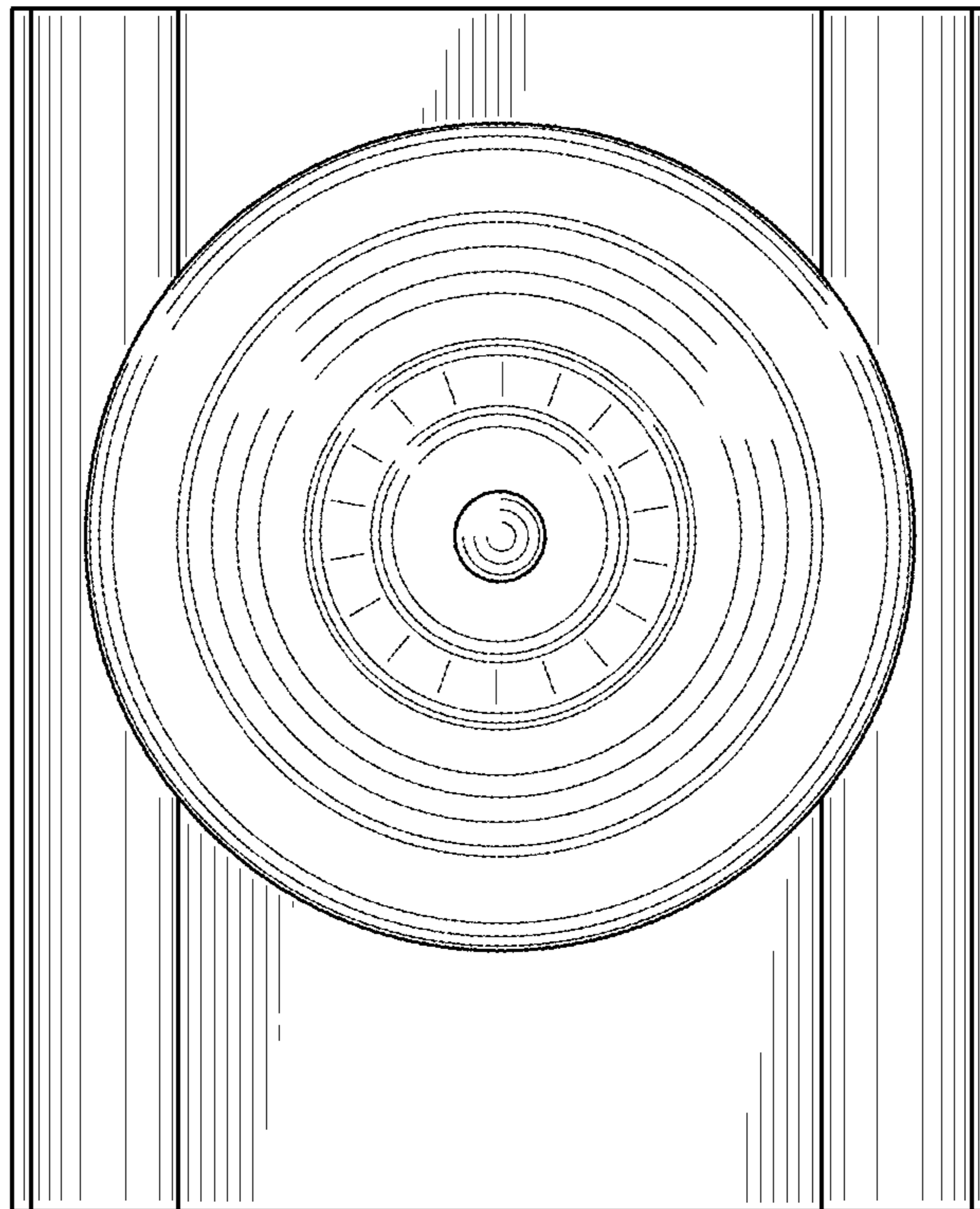


FIG. 6

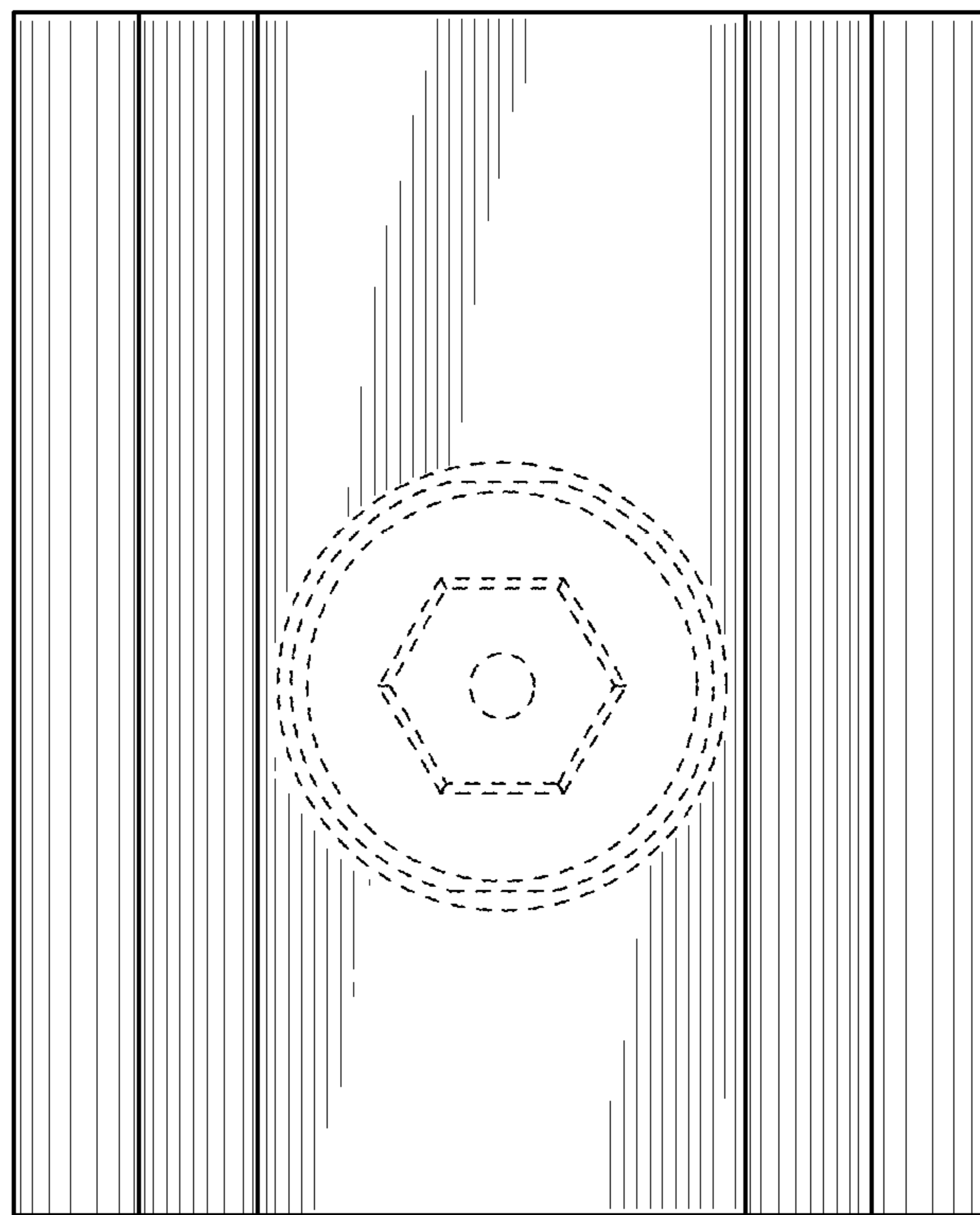


FIG. 7

