



US00D854654S

(12) **United States Design Patent**  
**Peterson**

(10) **Patent No.:** **US D854,654 S**  
(45) **Date of Patent:** **\*\* Jul. 23, 2019**

(54) **BRACKET FOR A HANDHELD CLEANSING DEVICE**

(71) Applicant: **Water Pik, Inc.**, Fort Collins, CO (US)

(72) Inventor: **Preston Peterson**, Fort Collins, CO (US)

(73) Assignee: **WATER PIK, INC.**, Fort Collins, CO (US)

(\*\*) Term: **15 Years**

(21) Appl. No.: **29/625,855**

(22) Filed: **Nov. 13, 2017**

(51) **LOC (11) Cl.** ..... **23-01**

(52) **U.S. Cl.**  
USPC ..... **D23/225; D6/524**

(58) **Field of Classification Search**  
USPC ..... D23/213, 223, 226, 228; D6/524, 525; D8/349

CPC .. B05B 1/00; B05B 1/02; B05B 1/005; B05B 1/14; B05B 1/18; B05B 1/185

See application file for complete search history.

(56) **References Cited**

**U.S. PATENT DOCUMENTS**

2,678,457 A	5/1954	Demo et al.
3,910,265 A	10/1975	Coleman
3,927,434 A	12/1975	Burgess
4,089,079 A	5/1978	Nicholson
4,151,623 A	5/1979	Steere
4,228,558 A	10/1980	Zhadanov
4,239,409 A	12/1980	Osrow
4,461,052 A	7/1984	Mostul
4,703,536 A	11/1987	Livneh
4,796,321 A	1/1989	Lee
4,841,590 A	6/1989	Terry et al.
5,065,463 A	11/1991	Le

(Continued)

**FOREIGN PATENT DOCUMENTS**

BE 893388 10/1982  
CN 2140203 8/1993

(Continued)

**OTHER PUBLICATIONS**

Aquacare rainfall combo, <http://www.amazon.com/AquaCare-HotelSpa%C2%AE-Ultra-luxury-Rainfall-Hydrobrush/dp/B00JUTV2VS>, retrieved on Dec. 30, 2014, 1 page.

(Continued)

*Primary Examiner* — Robin V Webster

(74) *Attorney, Agent, or Firm* — Dorsey & Whitney LLP

(57) **CLAIM**

The ornamental design for a bracket for a handheld cleansing device, as shown and described.

**DESCRIPTION**

FIG. 1 is an isometric view of an embodiment of a bracket for a handheld cleansing device with certain components shown in dashed lines for environment.

FIG. 2 is a top, front isometric view of the bracket for a handheld cleansing device of FIG. 1.

FIG. 3 is a front elevation view of the bracket for a handheld cleansing device of FIG. 1.

FIG. 4 is a rear elevation view of the bracket for a handheld cleansing device of FIG. 1.

FIG. 5 is a right side elevation view of the bracket for a handheld cleansing device of FIG. 1.

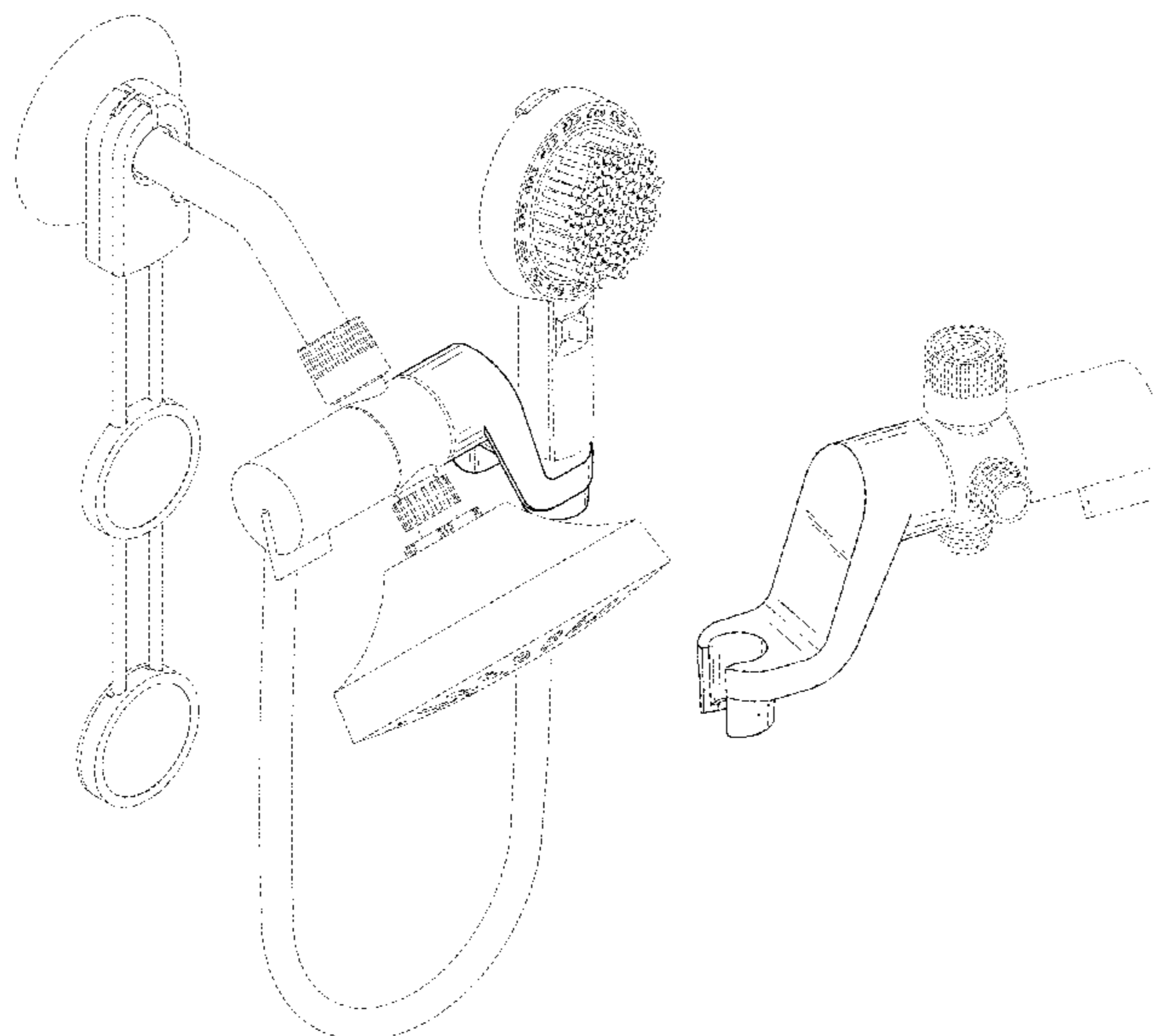
FIG. 6 is a left side elevation view of the bracket for a handheld cleansing device of FIG. 1.

FIG. 7 is a top plan view of the bracket for a handheld cleansing device of FIG. 1; and,

FIG. 8 is a bottom plan view of the bracket for a handheld cleansing device FIG. 1.

The broken lines, which define the bounds of the claimed design, form no part of the claimed design.

**1 Claim, 5 Drawing Sheets**



(56)

## References Cited

## U.S. PATENT DOCUMENTS

5,142,723 A 9/1992 Lusting  
D340,376 S \* 10/1993 Klose ..... D23/223  
D341,191 S \* 11/1993 Klose ..... D23/223  
5,382,221 A 1/1995 Hsu et al.  
5,385,532 A 1/1995 Shyu  
5,561,869 A 10/1996 Sarel  
5,647,841 A 7/1997 Groenewold et al.  
D385,333 S \* 10/1997 Caroen ..... D23/228  
D387,230 S \* 12/1997 von Buelow ..... D23/223  
5,769,802 A 6/1998 Wang  
5,891,063 A 4/1999 Vigil  
6,041,462 A 3/2000 Marques  
6,058,543 A 5/2000 Thompson  
D433,589 S \* 11/2000 Haug ..... B05B 1/1618  
D6/524  
6,170,108 B1 1/2001 Knight  
6,205,607 B1 3/2001 Tse  
6,230,717 B1 5/2001 Marx et al.  
D448,069 S \* 9/2001 Wales ..... D23/213  
6,363,565 B1 4/2002 Paffrath  
6,569,170 B1 5/2003 Kellogg  
6,595,440 B2 7/2003 Moriarty et al.  
RE38,397 E 1/2004 Gueret  
6,730,051 B2 5/2004 Lin  
D493,864 S \* 8/2004 Haug ..... E03C 1/06  
D23/213  
6,799,346 B2 10/2004 Jeng et al.  
D500,358 S 12/2004 Haug  
D523,809 S 6/2006 Roth et al.  
7,157,816 B2 1/2007 Pilcher et al.  
D549,964 S 9/2007 Roth et al.  
7,293,302 B2 11/2007 Mesa  
7,306,569 B2 12/2007 LaJoie et al.  
7,320,691 B2 1/2008 Pilcher et al.  
7,337,487 B2 3/2008 Leonardi  
7,386,906 B2 6/2008 Roth et al.  
7,451,513 B2 11/2008 Torres  
D601,803 S 10/2009 Reishus et al.  
7,597,495 B2 10/2009 Gueret  
7,665,171 B2 2/2010 Alexander et al.  
7,670,305 B2 3/2010 Zhadanov et al.  
D614,732 S \* 4/2010 Deng ..... D23/228  
7,758,525 B2 7/2010 Thiebaut et al.  
7,786,626 B2 8/2010 Reishus et al.  
7,789,092 B2 9/2010 Akridge et al.  
7,814,585 B1 10/2010 Reich  
7,823,593 B2 11/2010 Gueret  
7,841,927 B2 11/2010 Krause et al.  
7,857,241 B2 12/2010 Deng  
7,937,784 B2 \* 5/2011 Qiu ..... B05B 1/1618  
4/661  
D639,391 S \* 6/2011 Yongyan ..... D23/228  
8,088,085 B2 1/2012 Thiebaut et al.  
8,157,753 B2 4/2012 Nichols  
8,302,615 B2 11/2012 Thiebaut  
8,308,390 B2 11/2012 Kao  
D679,502 S 4/2013 Itano et al.  
8,407,825 B2 4/2013 Kao  
8,425,134 B2 4/2013 Gueret  
D683,139 S 5/2013 Chikos et al.  
8,439,588 B2 5/2013 Houman  
8,469,909 B2 6/2013 Pilcher et al.  
D685,453 S \* 7/2013 Wilson ..... D23/228  
8,484,788 B2 7/2013 Brewer et al.  
8,511,927 B2 8/2013 Houman  
8,555,811 B2 10/2013 Dole  
8,608,251 B2 12/2013 Nirwing et al.  
D705,900 S \* 5/2014 Bailey ..... D23/228  
8,720,799 B2 \* 5/2014 Tseng ..... E03C 1/06  
239/443  
D719,640 S \* 12/2014 Yu ..... D23/228  
9,032,576 B2 5/2015 Zelickson et al.  
9,107,486 B2 8/2015 Brewer et al.  
9,138,257 B2 9/2015 Revivo  
D754,288 S \* 4/2016 Bahler ..... D23/228

9,347,208 B2 \* 5/2016 Quinn ..... E03C 1/0412  
2004/0117931 A1 6/2004 Washington  
2004/0167481 A1 8/2004 Carlucci et al.  
2005/0138740 A1 6/2005 Alfano  
2006/0076436 A1 4/2006 Zhadanov et al.  
2007/0095362 A1 5/2007 Koopah  
2007/0101522 A1 5/2007 Alfano  
2008/0104787 A1 5/2008 Keenan et al.  
2011/0085845 A1 4/2011 Cutler  
2011/0114754 A1 5/2011 Li et al.  
2011/0121105 A1 5/2011 Moriarty et al.  
2011/0142529 A1 6/2011 Oh et al.  
2011/0185521 A1 8/2011 Temple  
2012/0037184 A1 2/2012 Czetty et al.  
2012/0124758 A1 5/2012 Sabisch et al.  
2012/0138087 A1 6/2012 Newlin  
2012/0159724 A1 6/2012 Houman  
2012/0209151 A1 8/2012 Zhou et al.  
2013/0060176 A1 3/2013 Nichols  
2013/0098382 A1 4/2013 Martin et al.  
2013/0139841 A1 6/2013 Dumousseaux et al.  
2014/0007362 A1 1/2014 Park et al.  
2014/0058300 A1 2/2014 Ungemach et al.  
2014/0099154 A1 4/2014 O'Neill  
2014/0135665 A1 5/2014 Pilcher et al.  
2014/0276281 A1 9/2014 Nefcy  
2014/0305458 A1 10/2014 Brewer et al.  
2014/0309662 A1 10/2014 Brewer et al.  
2015/0040331 A1 2/2015 White  
2015/0065927 A1 3/2015 Brewer et al.  
2015/0165179 A1 6/2015 Grez  
2015/0182078 A1 7/2015 Miller et al.  
2015/0182290 A1 7/2015 Grez  
2015/0305487 A1 10/2015 Pardo et al.  
2015/0359324 A1 12/2015 Brewer  
2016/0015150 A1 1/2016 Casasanta, III  
2016/0037902 A1 2/2016 Grez

## FOREIGN PATENT DOCUMENTS

CN 2169359 6/1994  
CN 1410168 4/2003  
CN 2611047 4/2004  
CN 2723038 9/2005  
CN 2843622 12/2006  
CN 1972612 5/2007  
CN 2910075 6/2007  
CN 201026474 2/2008  
CN 201346171 11/2009  
CN 101797128 8/2010  
CN 201949941 8/2011  
CN 202045028 11/2011  
CN 102349739 2/2012  
CN 202842758 4/2013  
CN 203170464 9/2013  
CN 103655160 3/2014  
CN 103717116 4/2014  
CN 203860668 10/2014  
CN 203861095 10/2014  
CN 204091850 1/2015  
CN 204192481 3/2015  
CN 204671034 9/2015  
DE 1566490 11/1970  
EP 0280833 9/1988  
GB 2237505 5/1991  
WO WO01/19281 3/2001  
WO WO2010/084870 7/2010  
WO WO2013/021380 2/2013  
WO WO2013/095462 6/2013  
WO WO2013/122400 8/2013  
WO WO2014/173126 10/2014

## OTHER PUBLICATIONS

Interlink TheraClense™, <http://www.itlk.com/theraclense.html>, retrieved on Dec. 30, 2014, 2 pages.  
Koninklijke Philips N.V. PureRadiance Facial Cleansing System leaflet, 2014, 2 pages.

(56)

**References Cited**

OTHER PUBLICATIONS

Koninklijke Philips N.V. PureRadiance user manual, 2014, 64 pages.

Aquatrim-shower massage, <http://www.kaboodle.com/reviews/aquatrim--shower-massage>, retrieved on Mar. 27, 2015, 1 page.

Encapsulation Carpet Cleaning is Changing the Industry, <http://cimex-carpet-cleaning.com/#Company>, retrieved on Mar. 27, 2015, 1 page.

\* cited by examiner

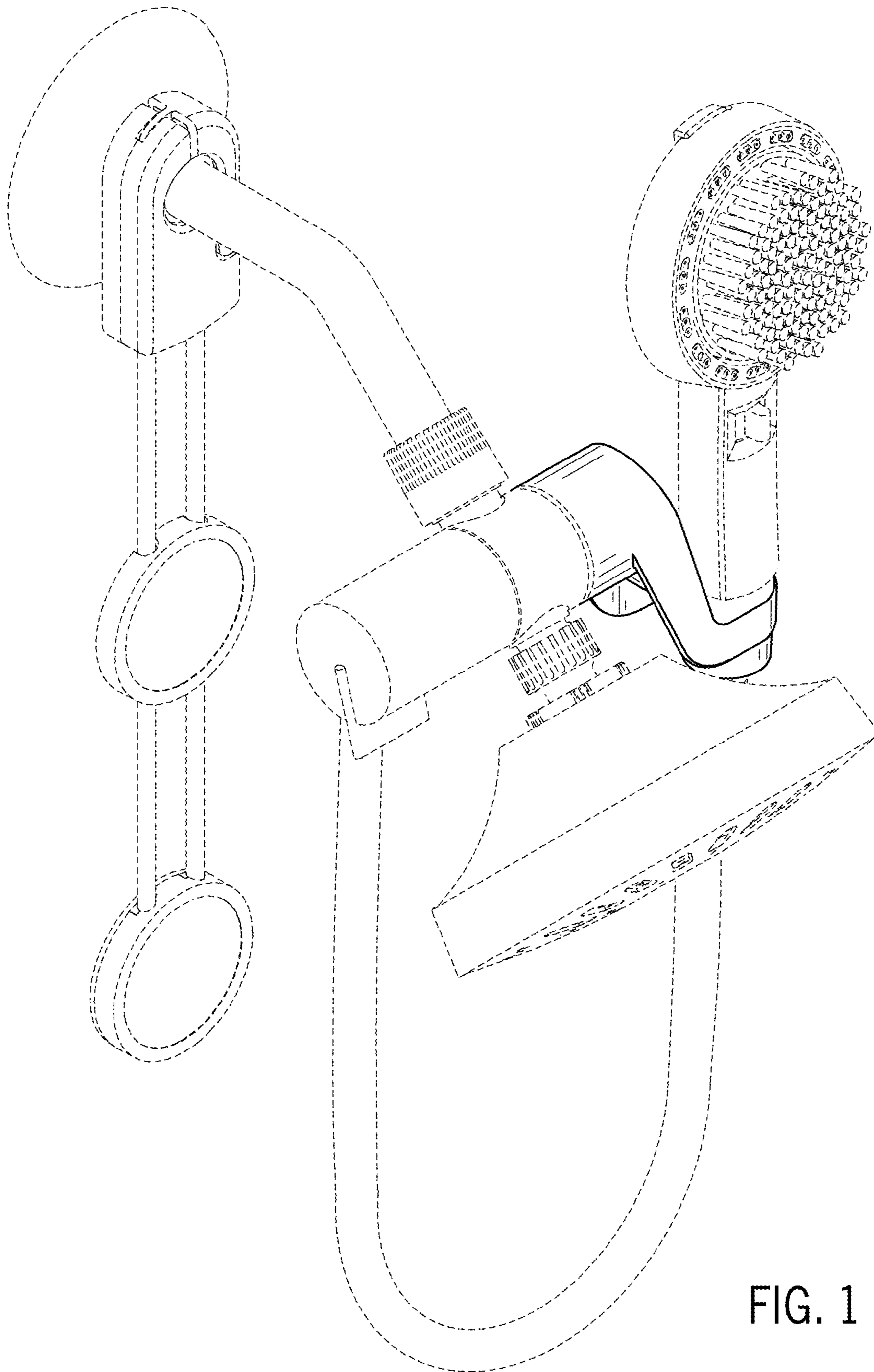


FIG. 1

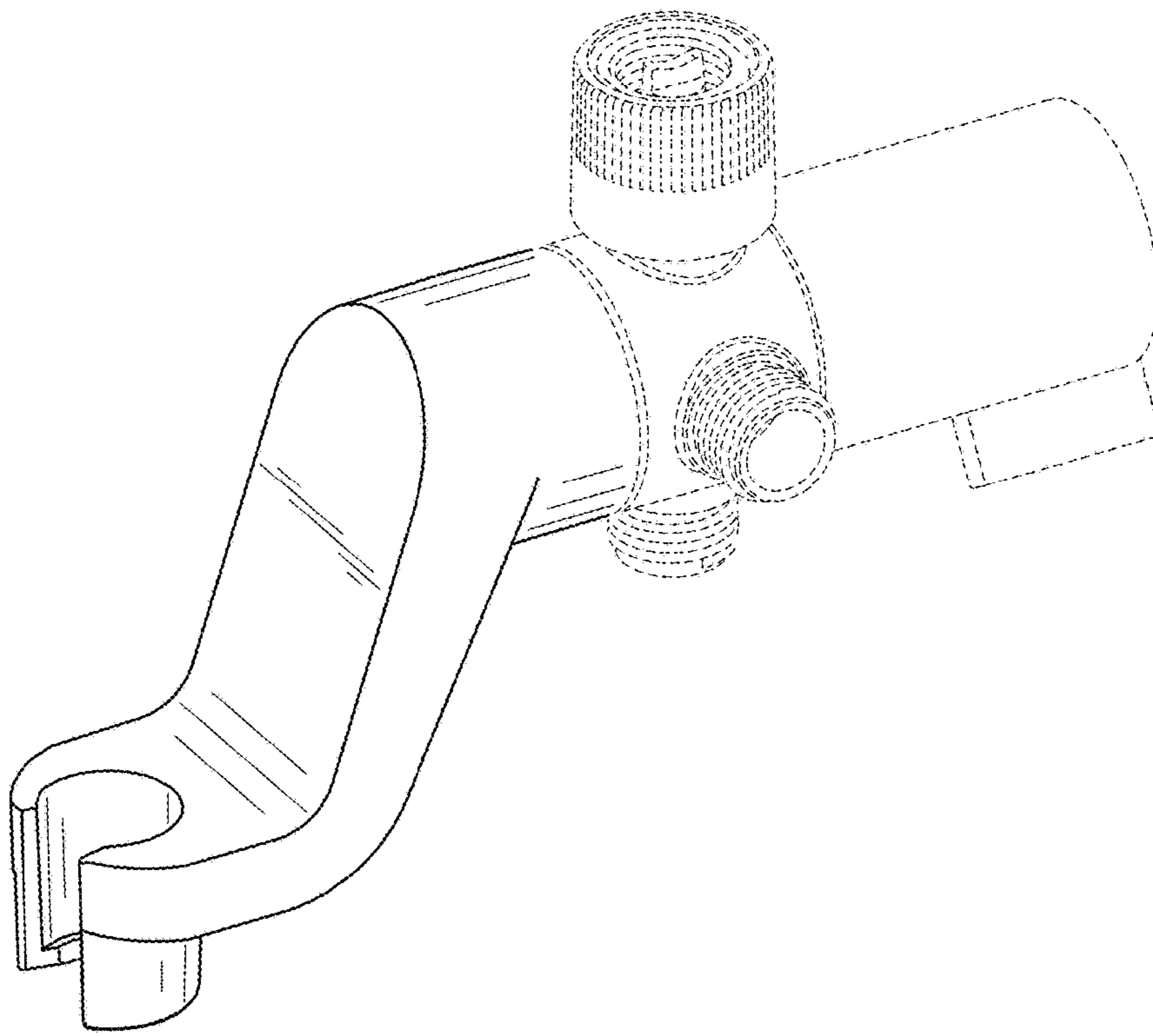


FIG. 2

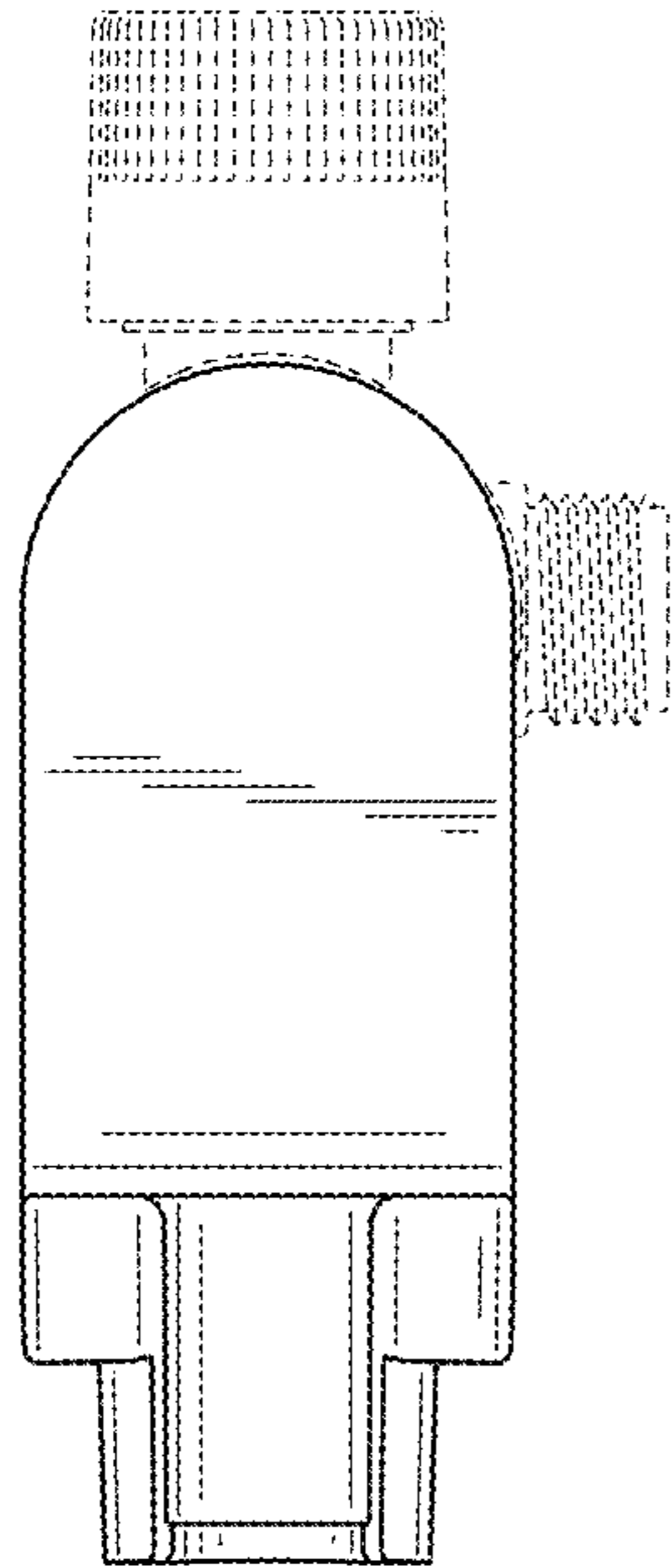


FIG. 3

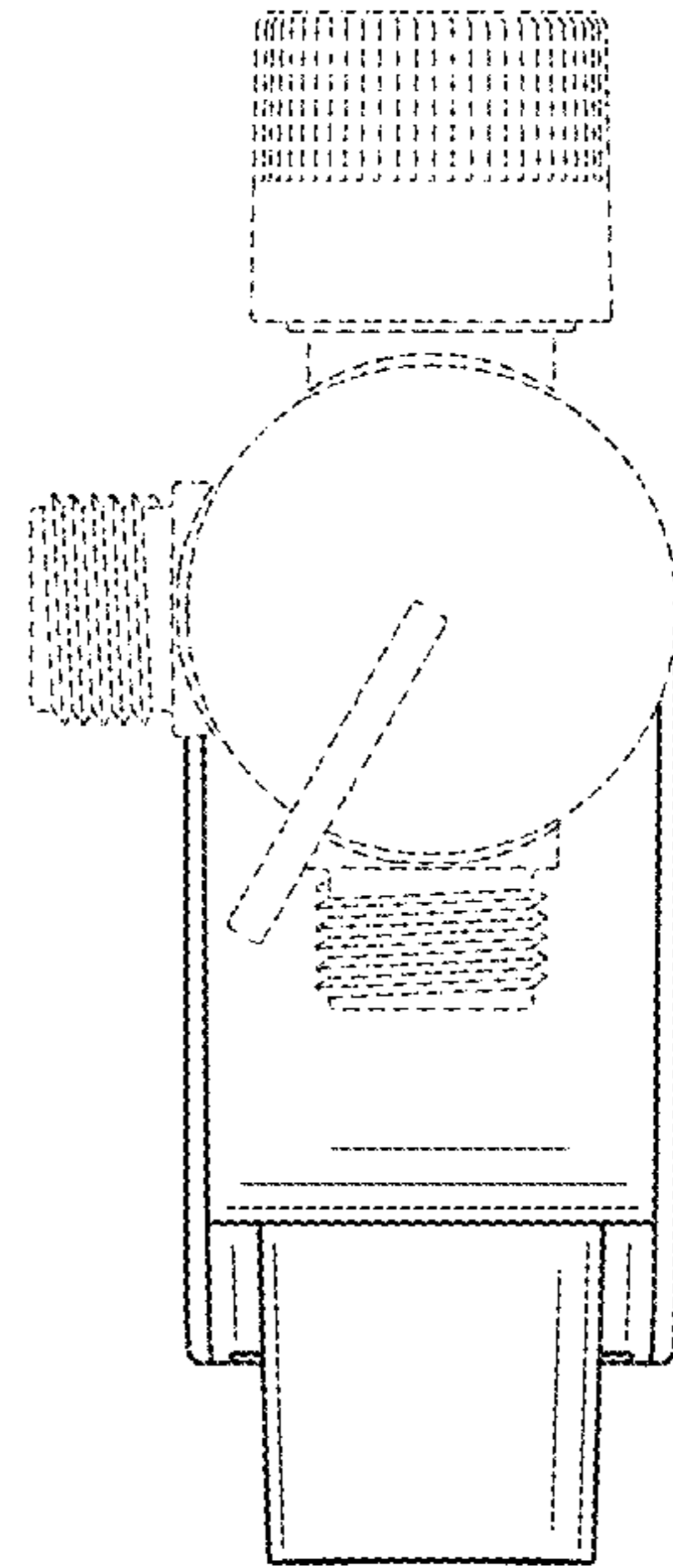
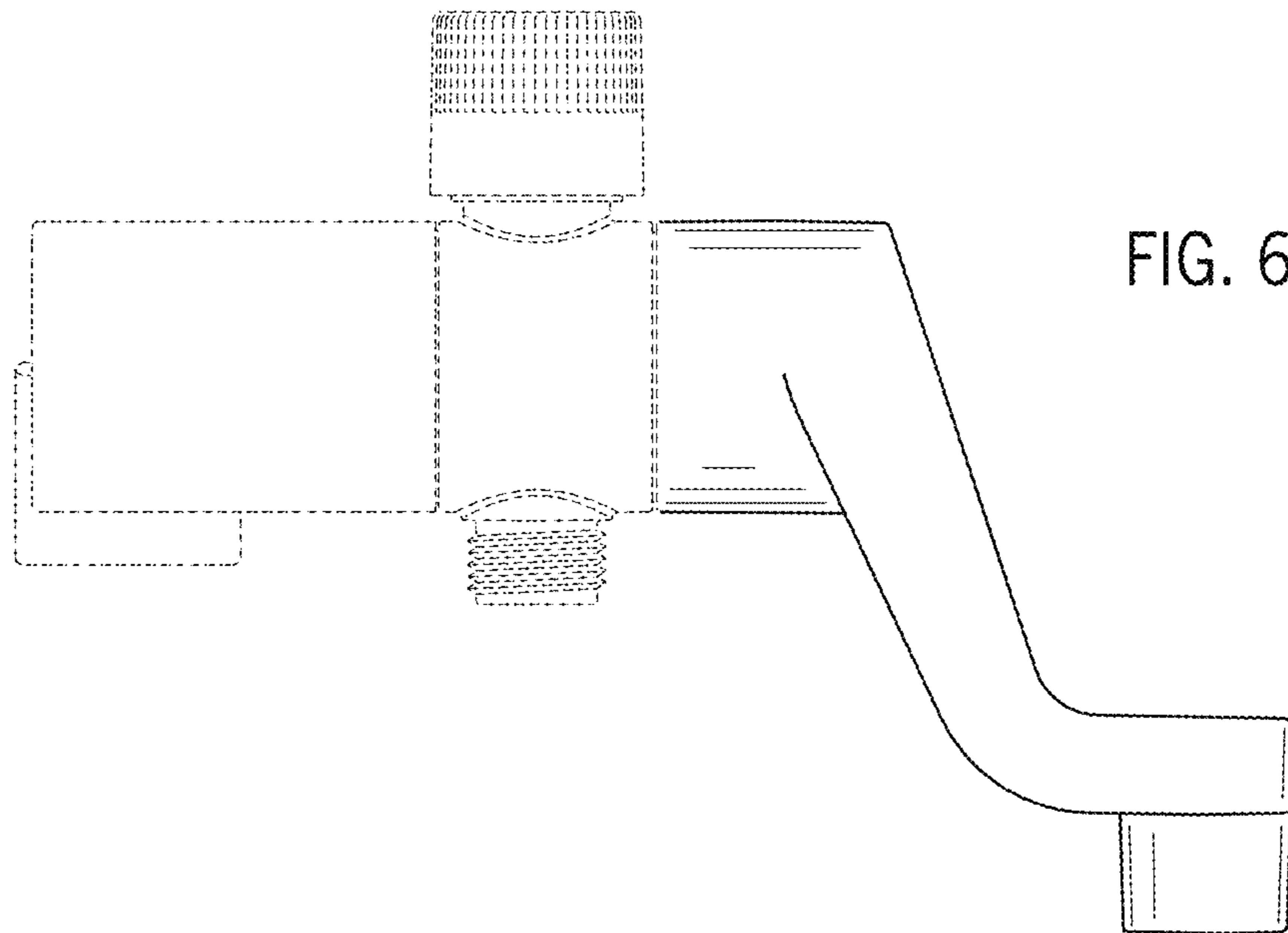
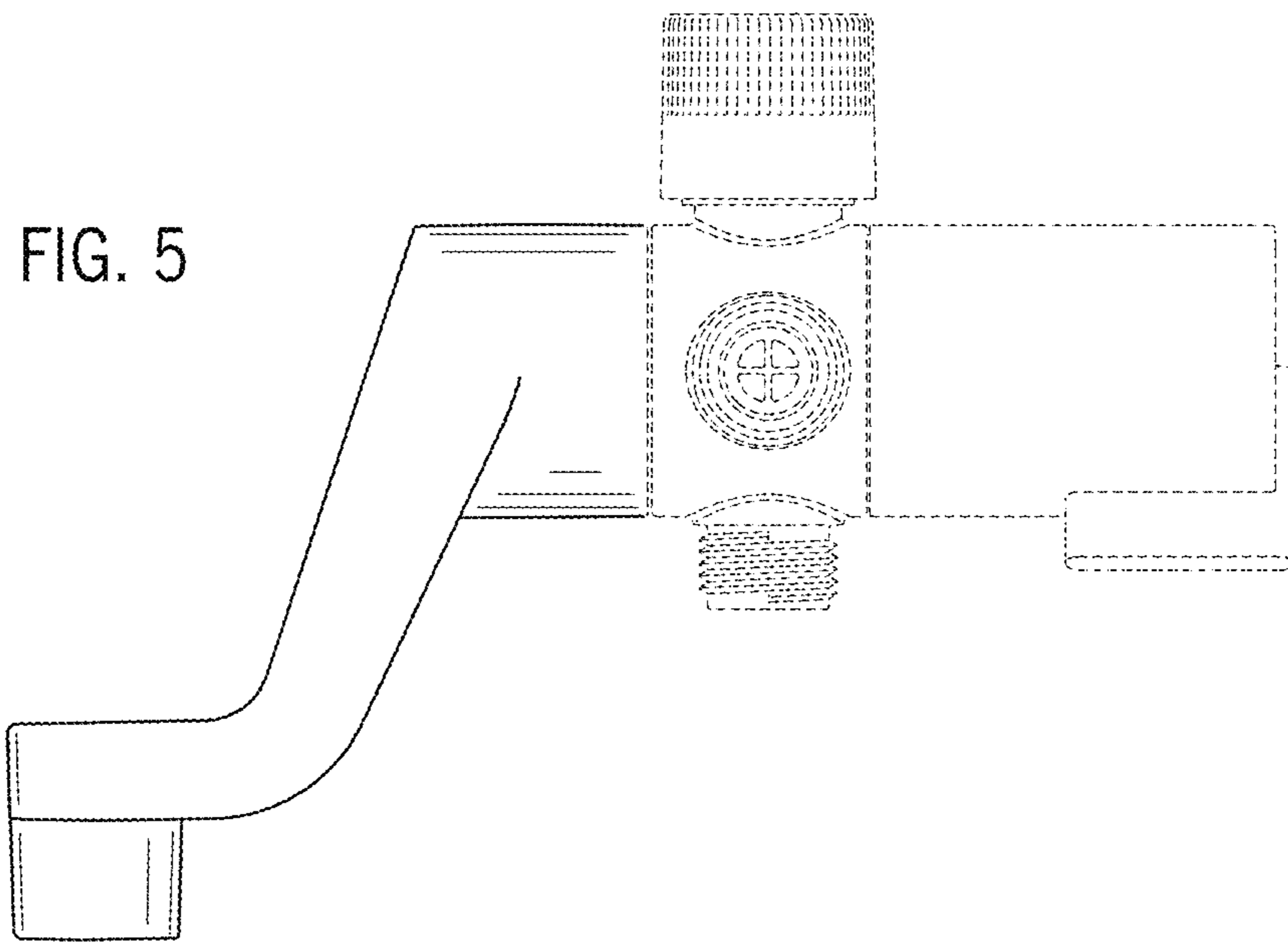


FIG. 4



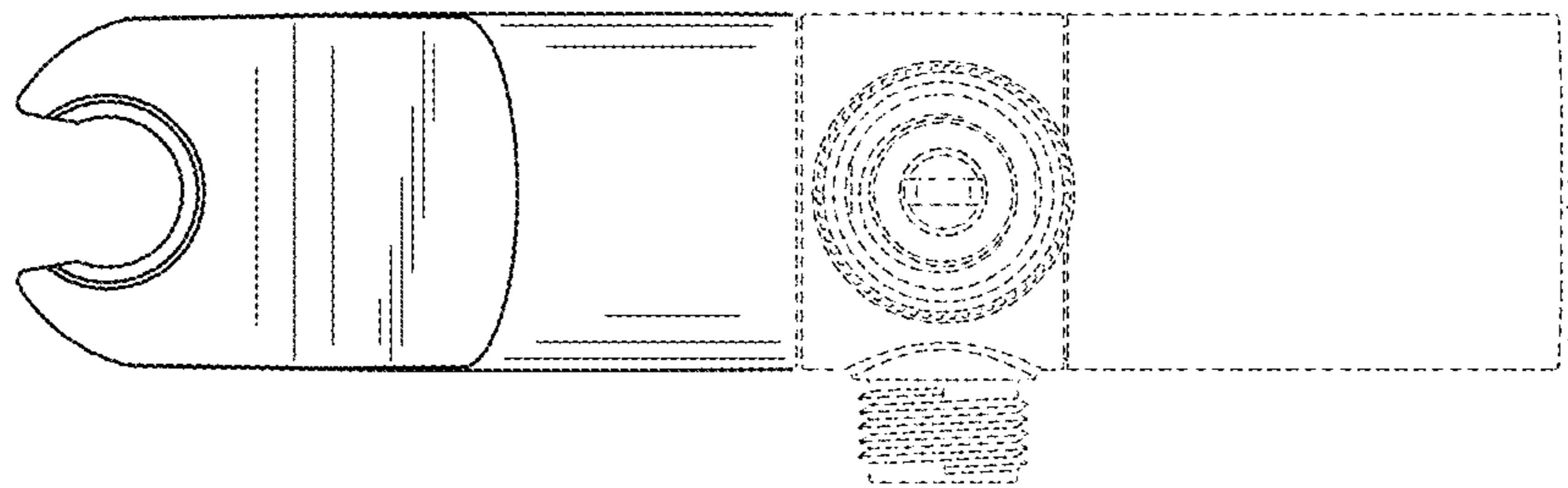


FIG. 7

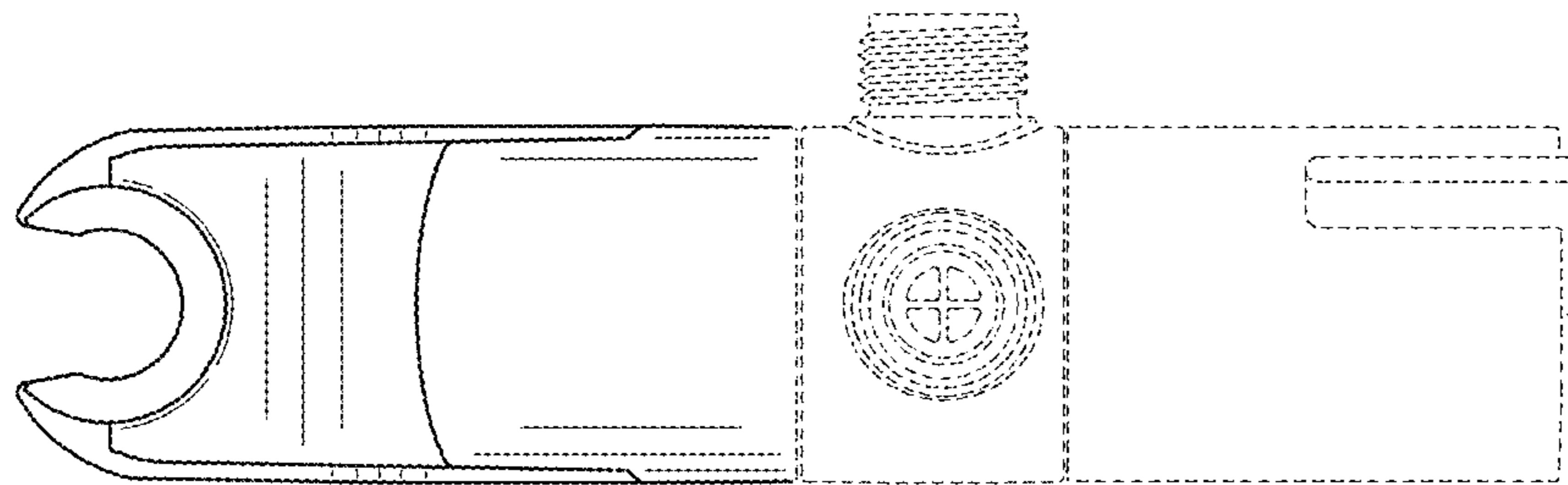


FIG. 8