



US00D854652S

(12) **United States Design Patent** (10) **Patent No.:** **US D854,652 S**
Price et al. (45) **Date of Patent:** **** Jul. 23, 2019**

(54) **RIBBON APPLICATION BAR**
(71) Applicant: **Specialized Pavement Marking, Inc.**,
Tualatin, OR (US)
(72) Inventors: **Mark A. Price**, Prineville, OR (US);
Robert J. Busse, Lake Oswego, OR
(US)
(73) Assignee: **Specialized Pavement Marking, Inc.**,
Tualatin, OR (US)
(**) Term: **15 Years**
(21) Appl. No.: **29/612,302**
(22) Filed: **Jul. 31, 2017**
(51) **LOC (11) Cl.** **23-01**
(52) **U.S. Cl.**
USPC **D23/213**
(58) **Field of Classification Search**
USPC D10/109.1, 113.1; D23/213, 223, 226,
D23/229-230; 239/600-601, DIG. 14,
239/525-526; D4/114, 115; D6/512,
D6/522, 524, 533, 546, 549
CPC E01C 23/22; B05B 7/025; B05B 7/0416;
F16K 31/363
See application file for complete search history.

(56) **References Cited**
U.S. PATENT DOCUMENTS
1,644,226 A * 10/1927 Bedard D21G 9/00
15/405
D110,213 S * 6/1938 Hazenberg D8/314
2,548,788 A * 4/1951 Helme A23L 3/10
239/110

(Continued)

Primary Examiner — David G Muller
Assistant Examiner — Nathan M Johnston

(74) *Attorney, Agent, or Firm* — Schwabe, Williamson &
Wyatt, P.C.

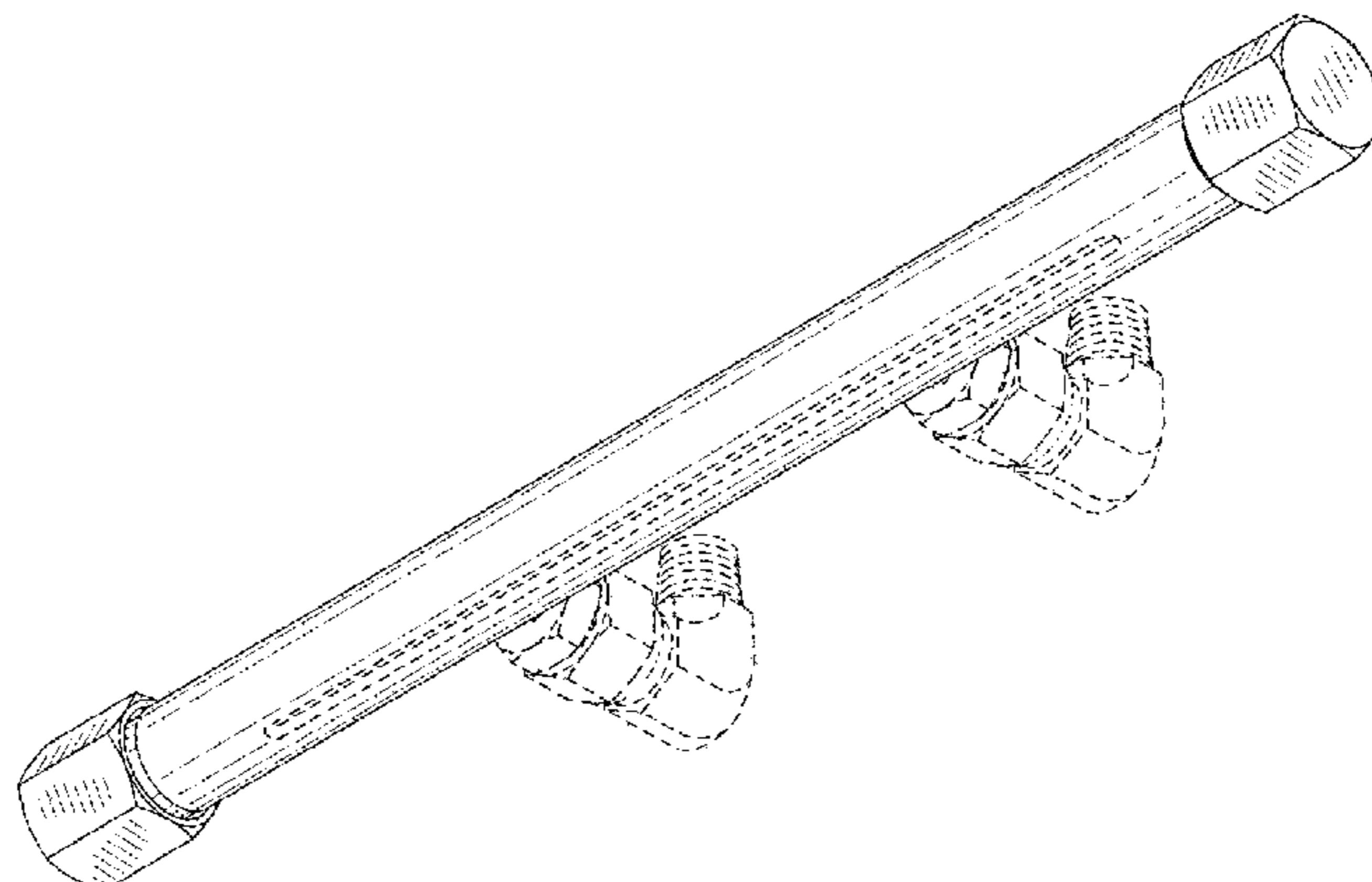
(57) **CLAIM**
The ornamental design for ribbon application bar, as shown
and described.

DESCRIPTION

FIG. 1 is a perspective view from the underside of a first
embodiment of a ribbon application bar showing our new
design;
FIG. 2 is a perspective view from the upper side thereof;
FIG. 3 is an end elevation view thereof;
FIG. 4 is a top plan view thereof;
FIG. 5 is a bottom plan view thereof;
FIG. 6 is a front elevation view thereof;
FIG. 7 is a rear elevation view thereof;
FIG. 8 is a perspective view from the underside of a second
embodiment of a ribbon application bar showing our new
design;
FIG. 9 is a perspective view from the upper side thereof;
FIG. 10 is an end elevation view thereof;
FIG. 11 is a top plan view thereof;
FIG. 12 is a bottom plan view thereof;
FIG. 13 is a front elevation view thereof;
FIG. 14 is a rear elevation view thereof;
FIG. 15 is a perspective view from the underside of a third
embodiment of a ribbon application bar showing our new
design;
FIG. 16 is a perspective view from the upper side thereof;
FIG. 17 is an end elevation view thereof;
FIG. 18 is a top plan view thereof;
FIG. 19 is a bottom plan view thereof;
FIG. 20 is a front elevation view thereof; and,
FIG. 21 is a rear elevation view thereof.

The dashed lines immediately adjacent to the shaded areas
in the figures represent the boundaries of the claimed design.
The dashed lines in the figures illustrate the portions of the
design that form no part of the claimed design. None of the
broken lines form any part of the claimed design.

1 Claim, 6 Drawing Sheets



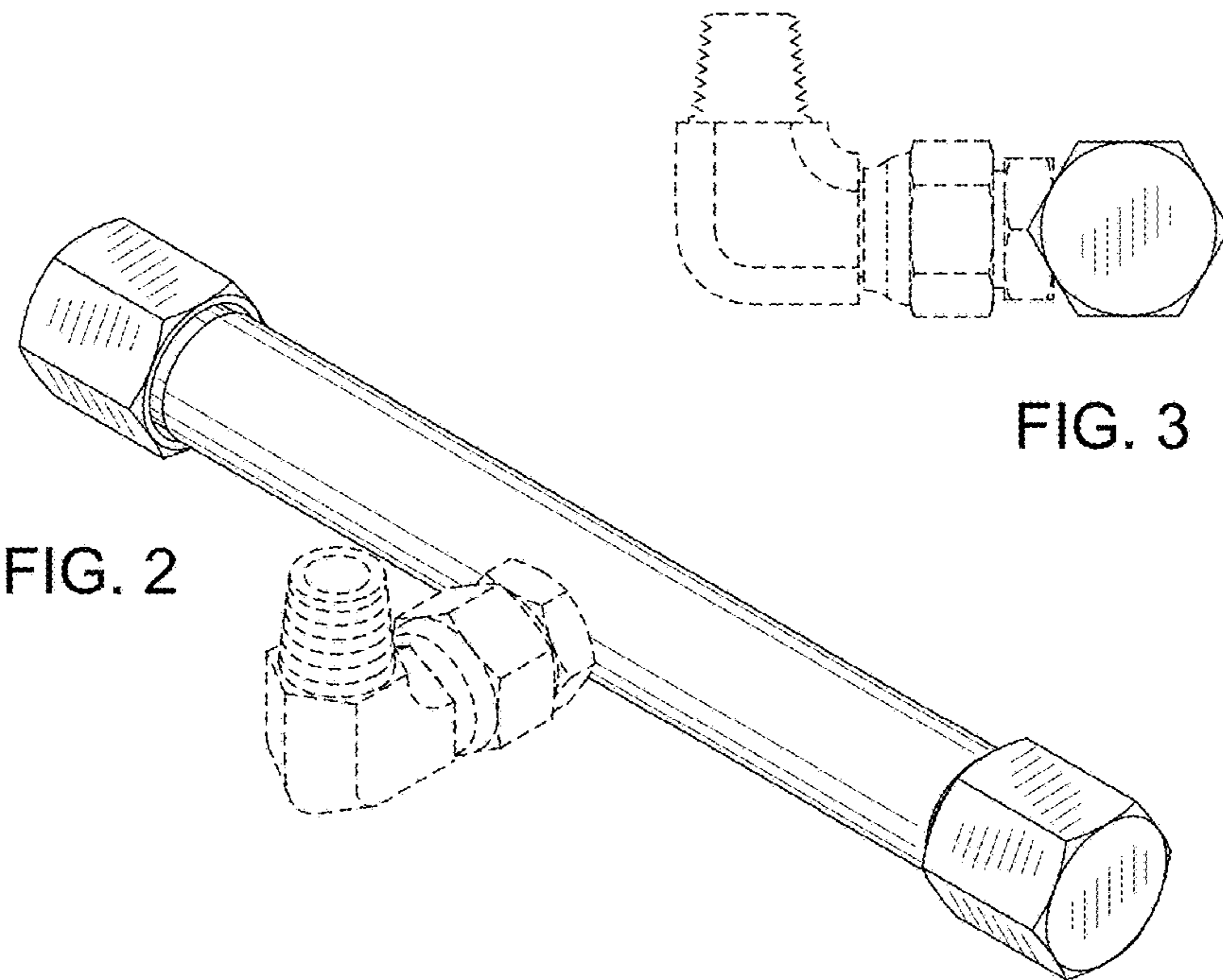
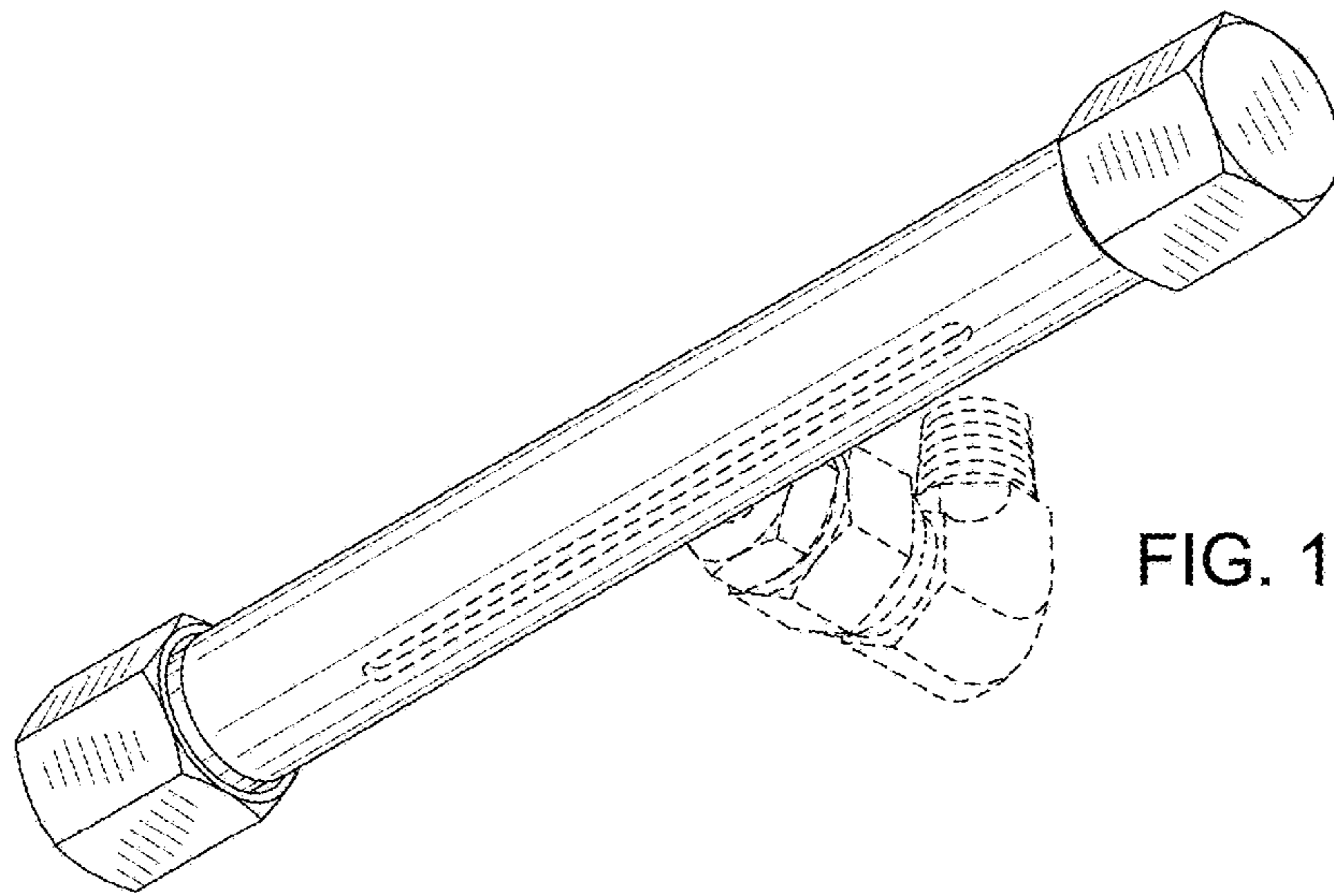
(56)

References Cited

U.S. PATENT DOCUMENTS

2,858,995 A * 11/1958 Sarro A47K 10/3836
211/123
3,854,685 A * 12/1974 Parduhn F16B 7/0486
116/63 R
RE31,495 E * 1/1984 Zublin E21B 37/00
134/167 C
4,588,131 A * 5/1986 Yamamoto B05B 7/0062
239/428.5
D306,896 S * 3/1990 Duke D23/213
D353,873 S * 12/1994 Schoeneman D23/213
5,680,991 A * 10/1997 Truitt B05B 7/025
239/290
5,862,987 A * 1/1999 Reif A01M 7/006
239/209
D446,877 S * 8/2001 Lester D26/72
D450,566 S * 11/2001 Gottwald D6/323
D453,953 S * 2/2002 Pearl D23/213
D477,944 S * 8/2003 Cummings D6/524
D486,332 S * 2/2004 Hoernig D6/520
D511,807 S * 11/2005 Pan D23/213
D545,406 S * 6/2007 Surinak D23/266
D668,742 S * 10/2012 English D23/213
D696,042 S * 12/2013 Starck D6/520
8,939,385 B2 * 1/2015 Huffman B05B 7/0884
239/268
D733,256 S * 6/2015 Turner B60S 3/04
D23/213
D751,171 S * 3/2016 Bahler D23/213
D783,308 S * 4/2017 Kuo D6/549
D797,468 S * 9/2017 Andrew D6/540
2018/0030678 A1 * 2/2018 Price B05B 1/044

* cited by examiner



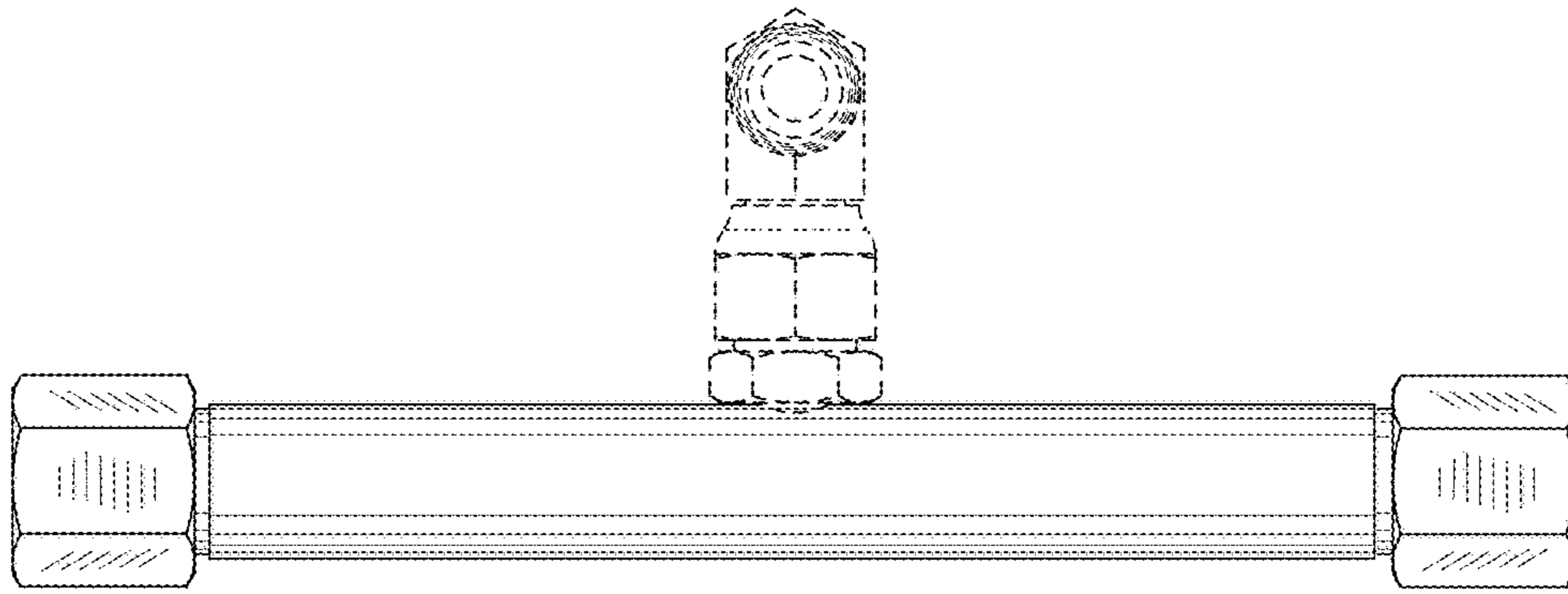


FIG. 4

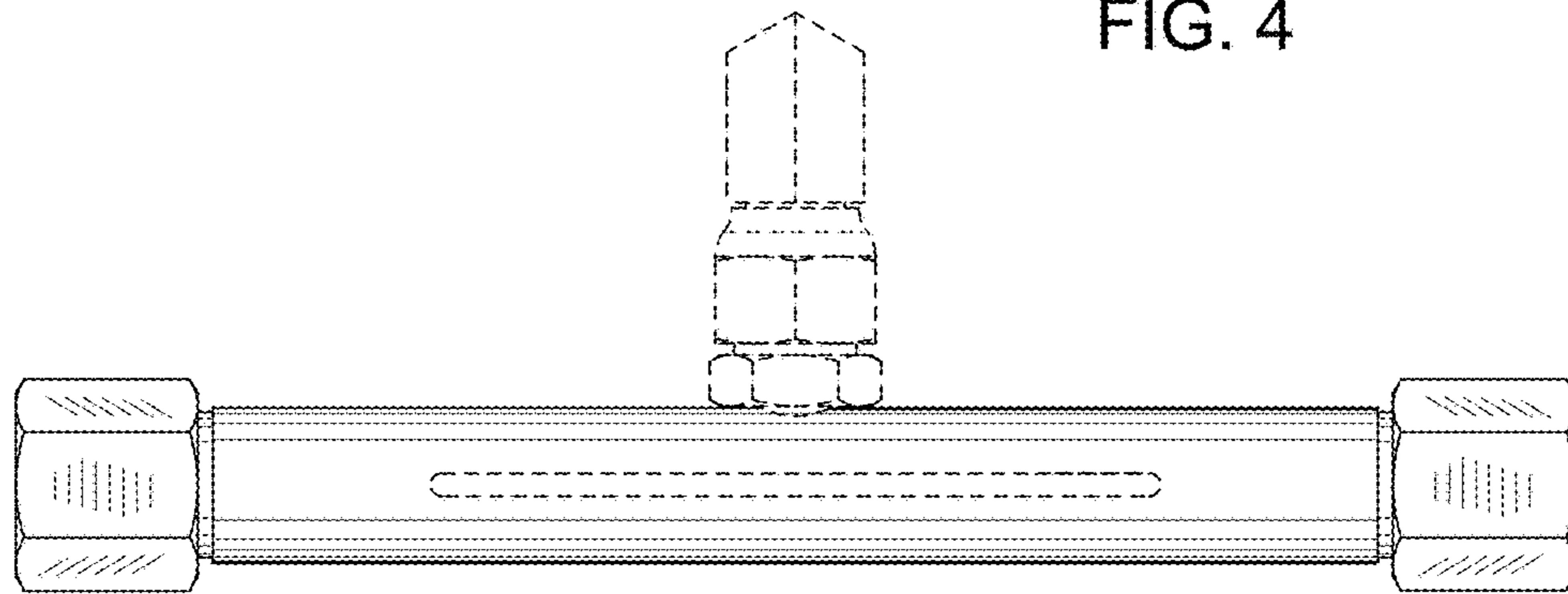


FIG. 5

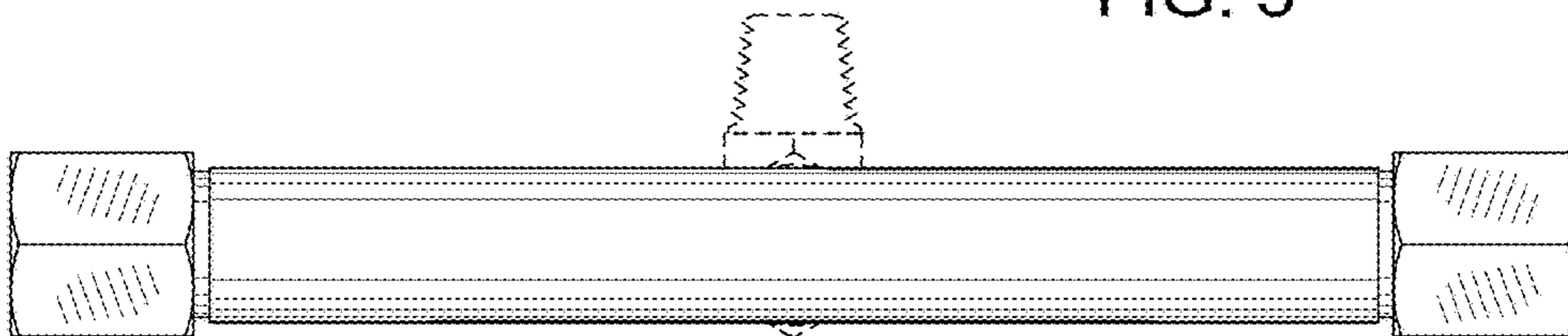


FIG. 6

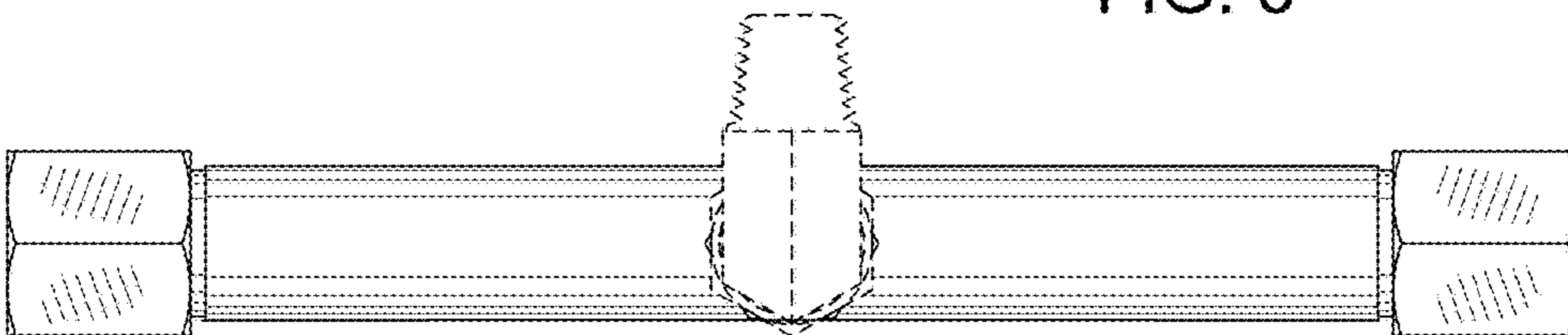


FIG. 7

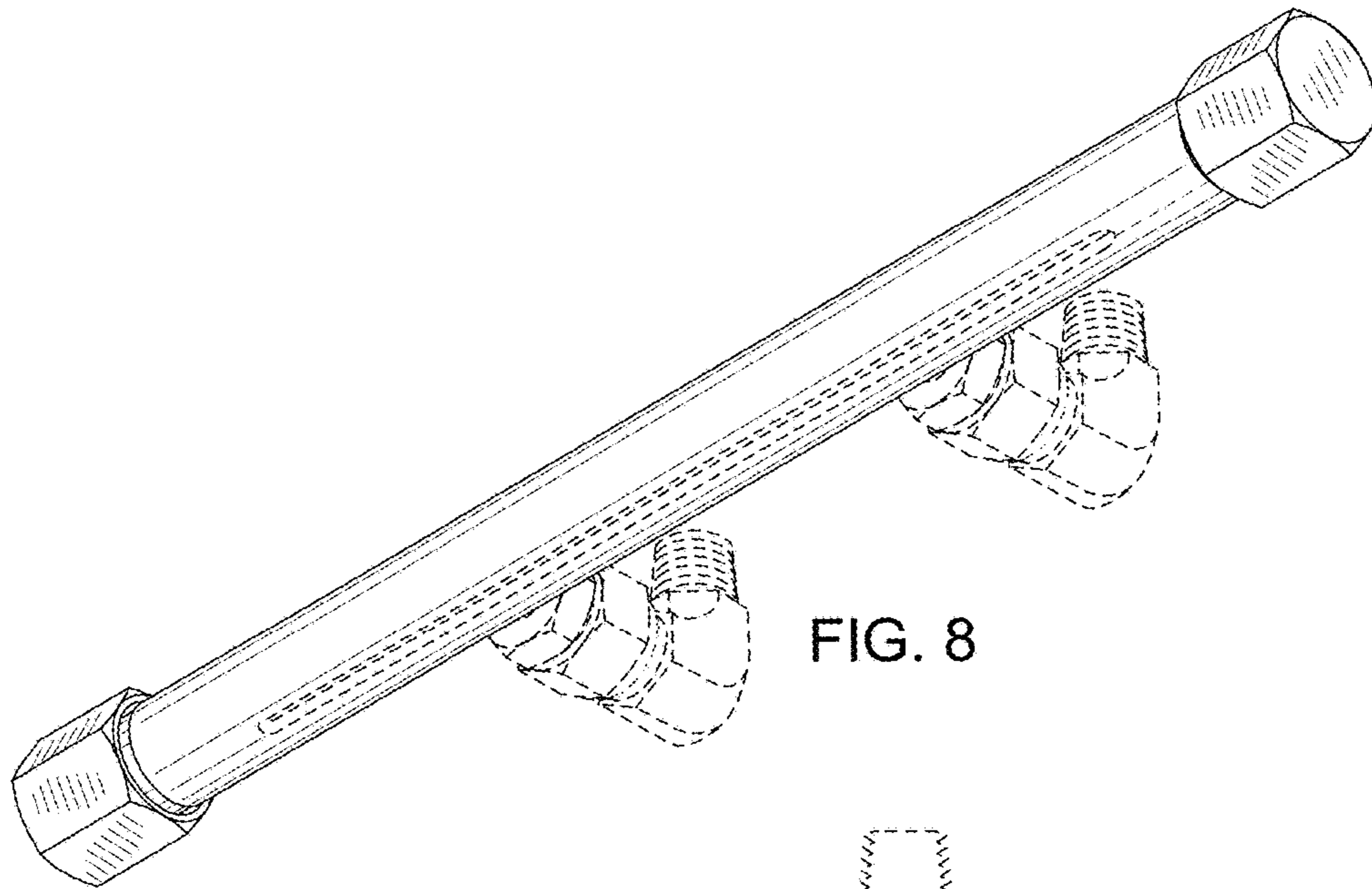


FIG. 8

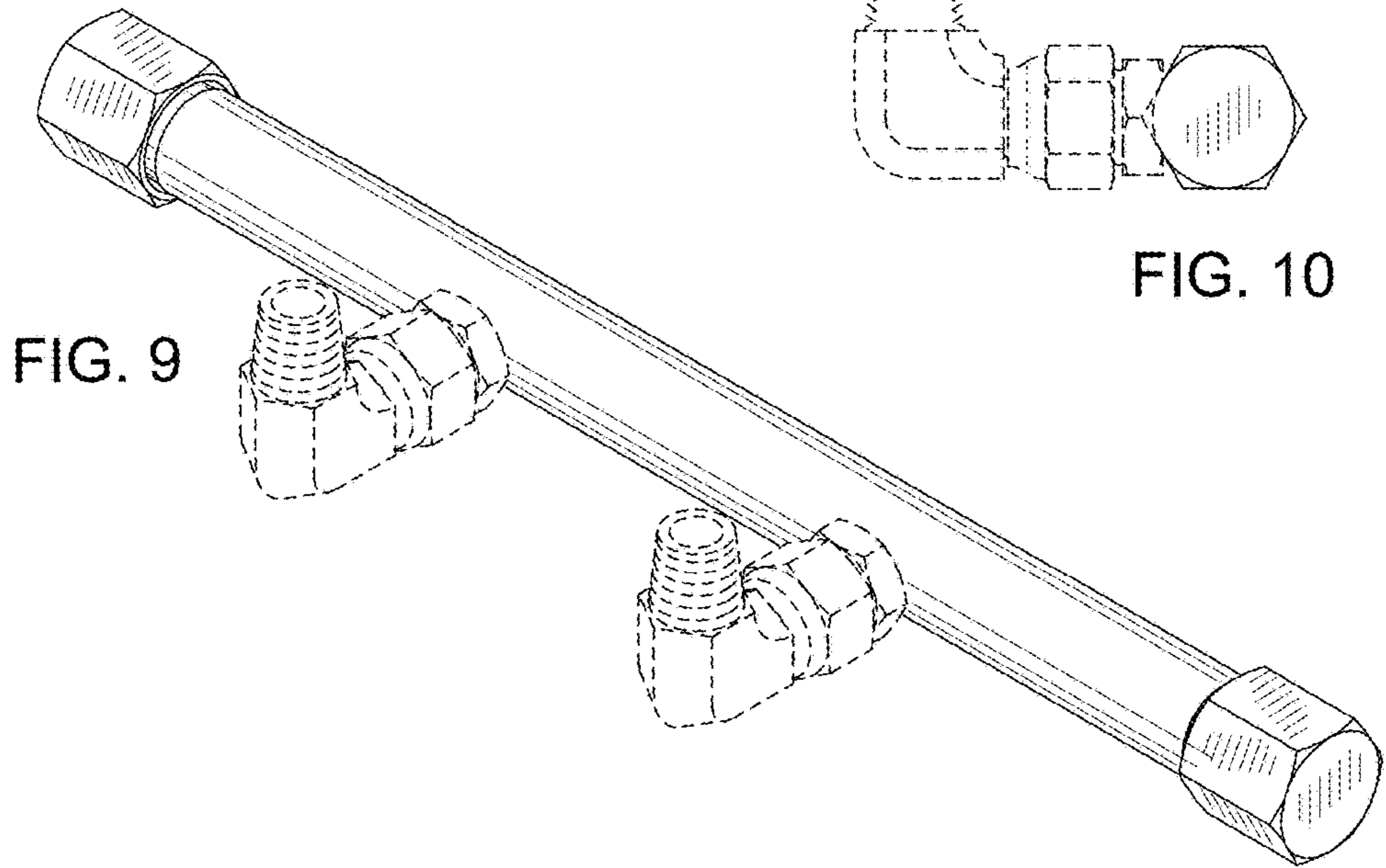


FIG. 9

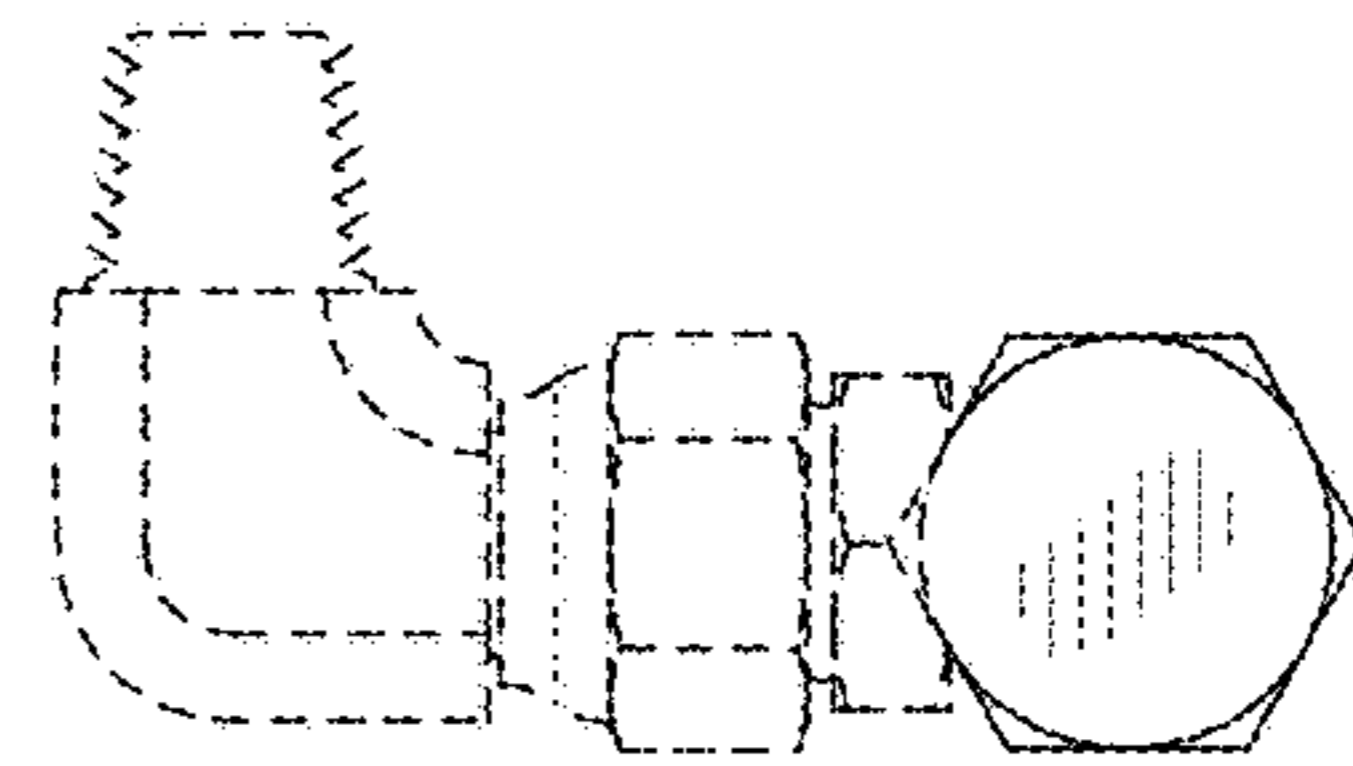
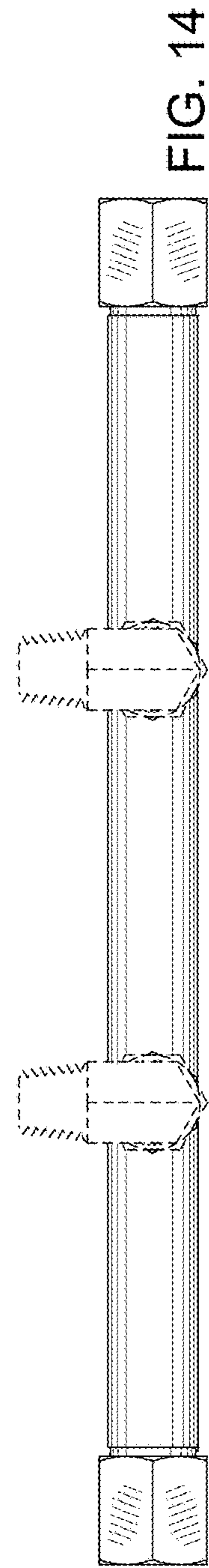
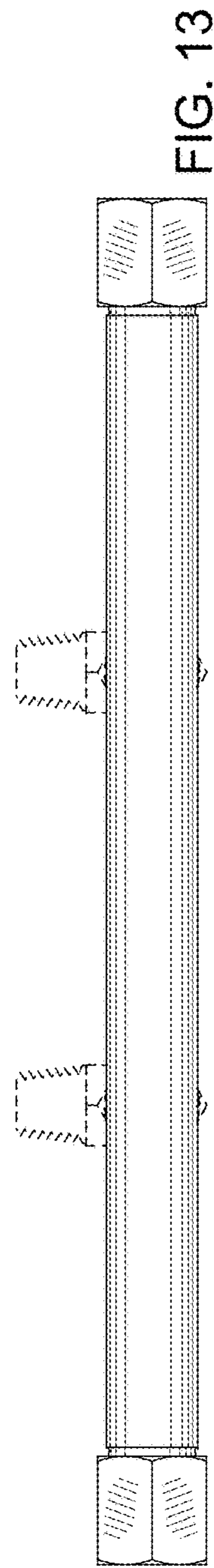
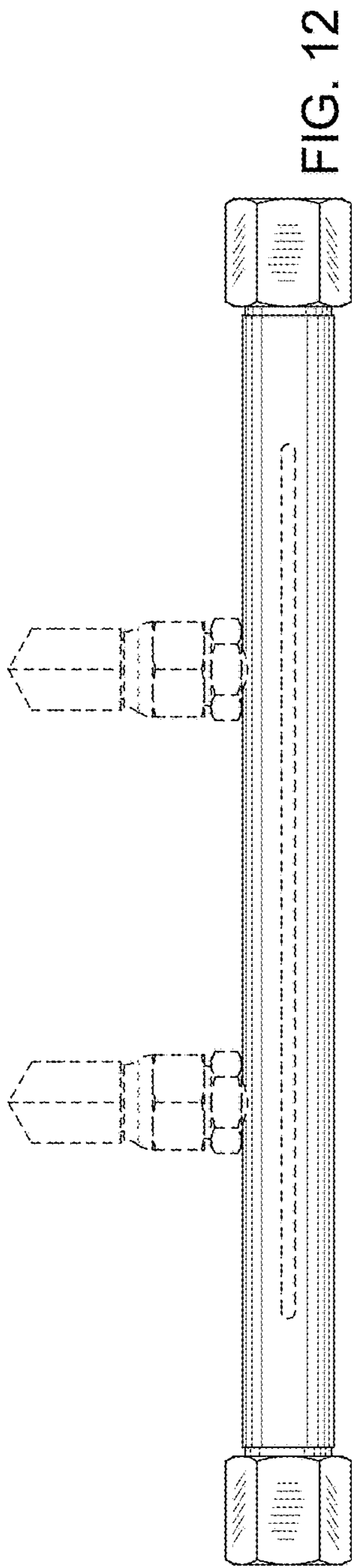
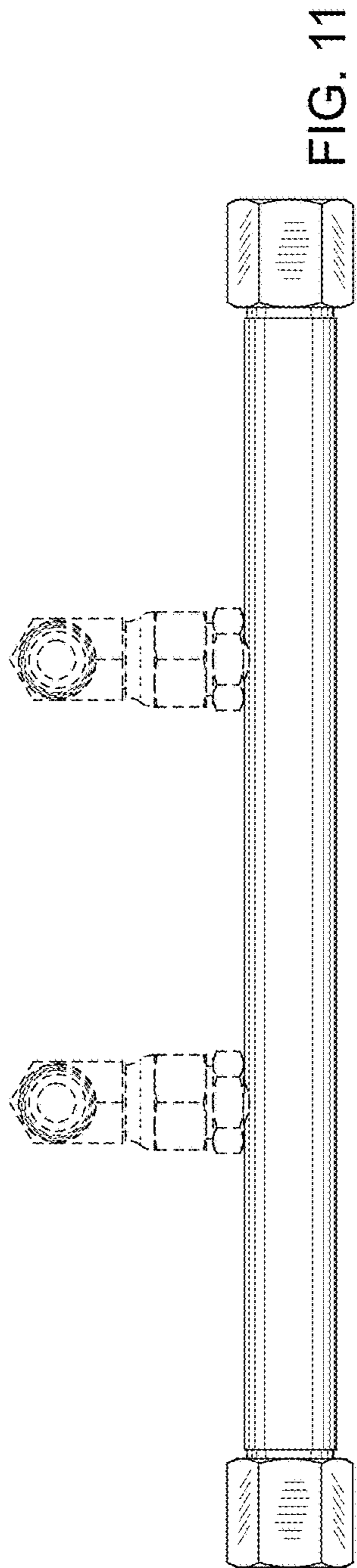


FIG. 10



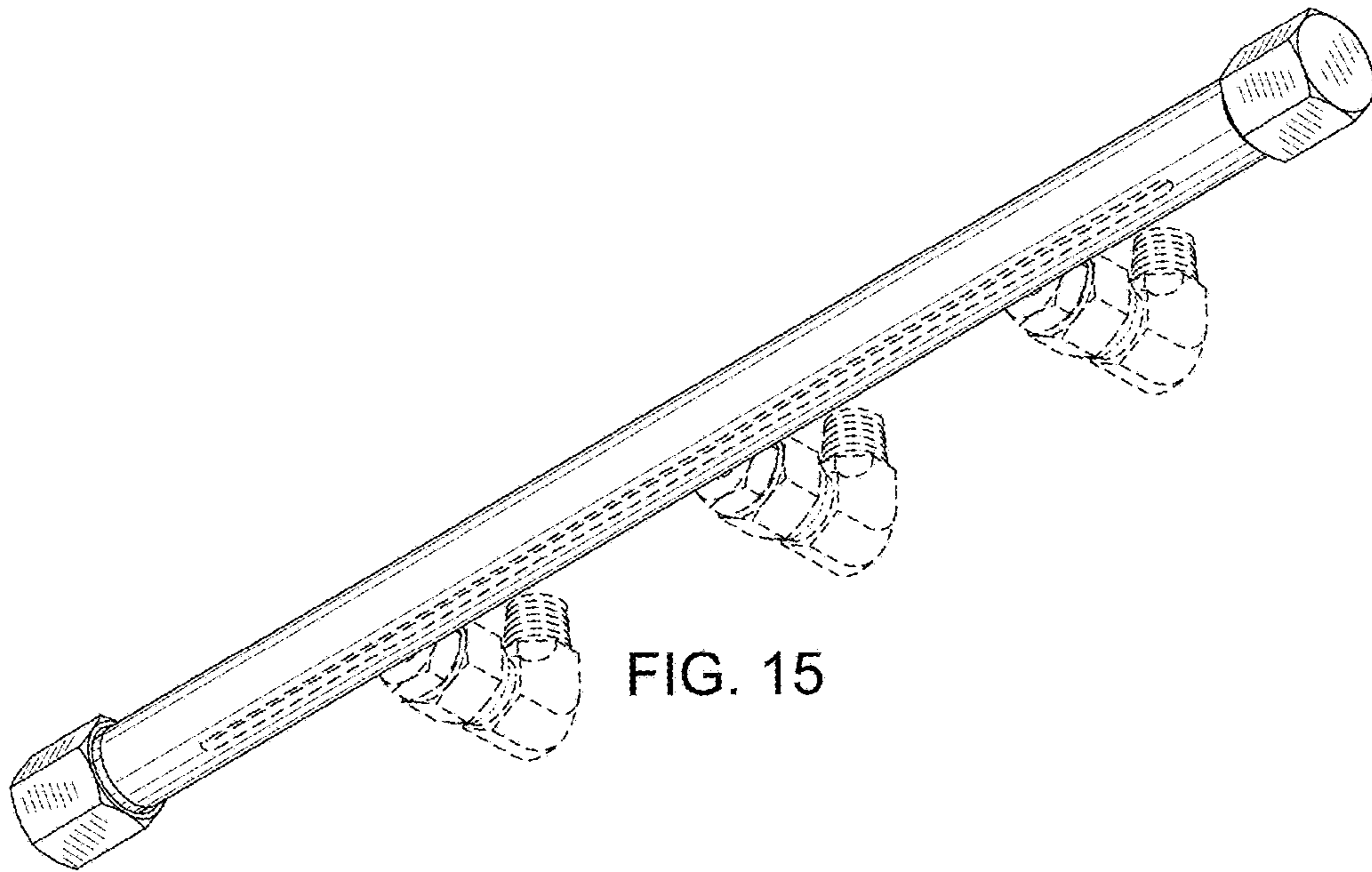


FIG. 15

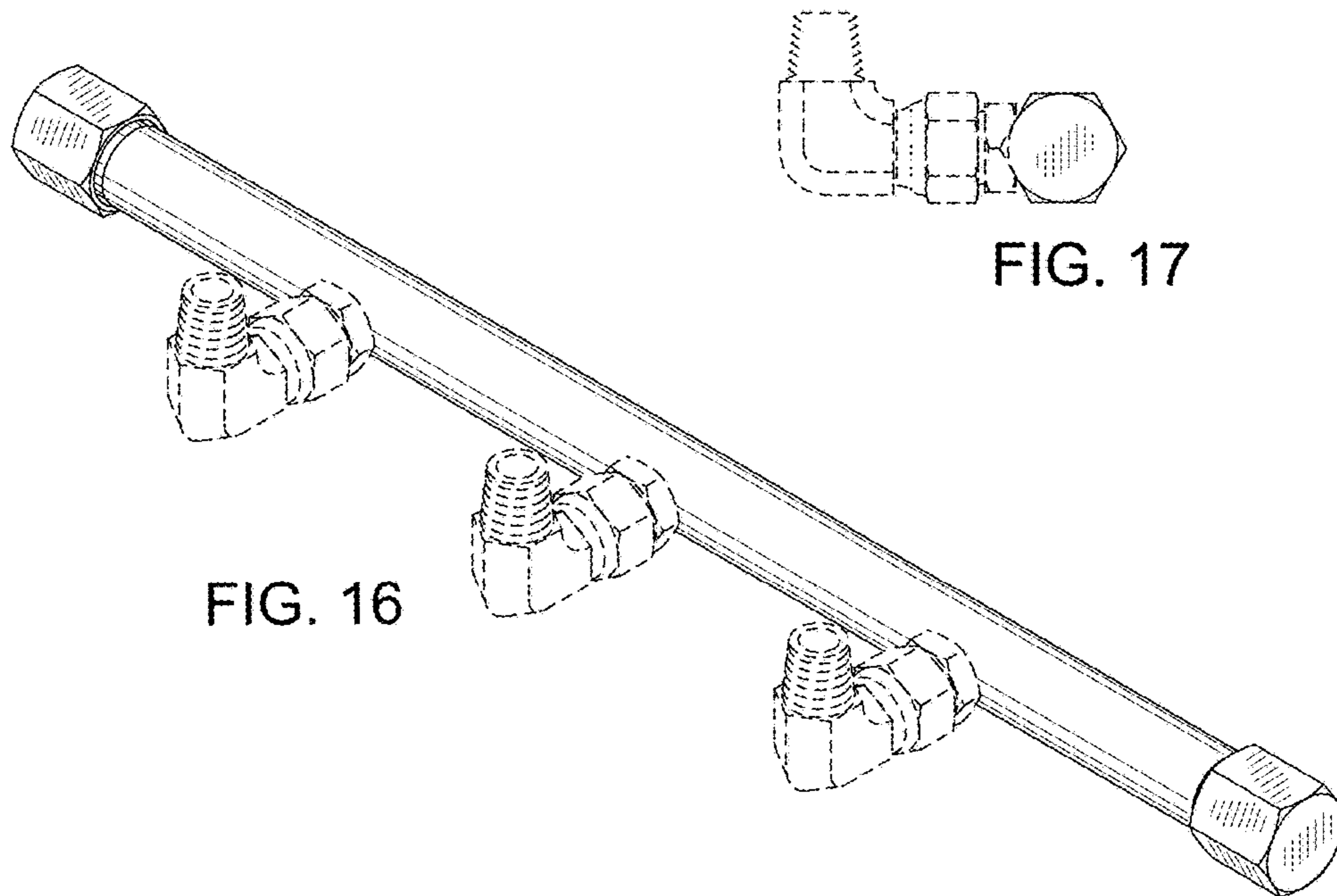


FIG. 16

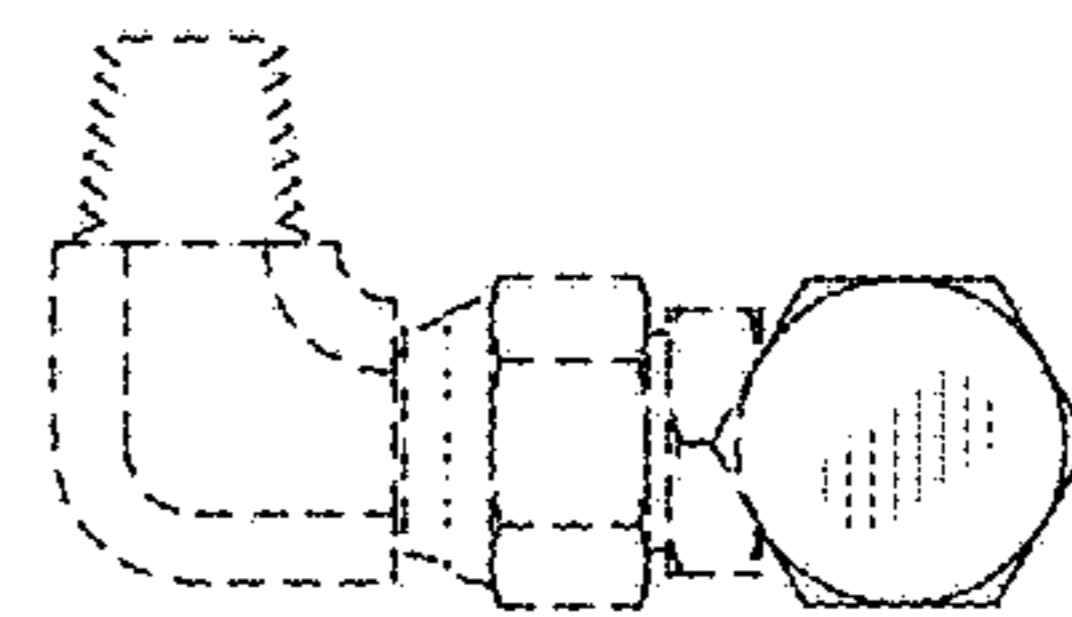


FIG. 17

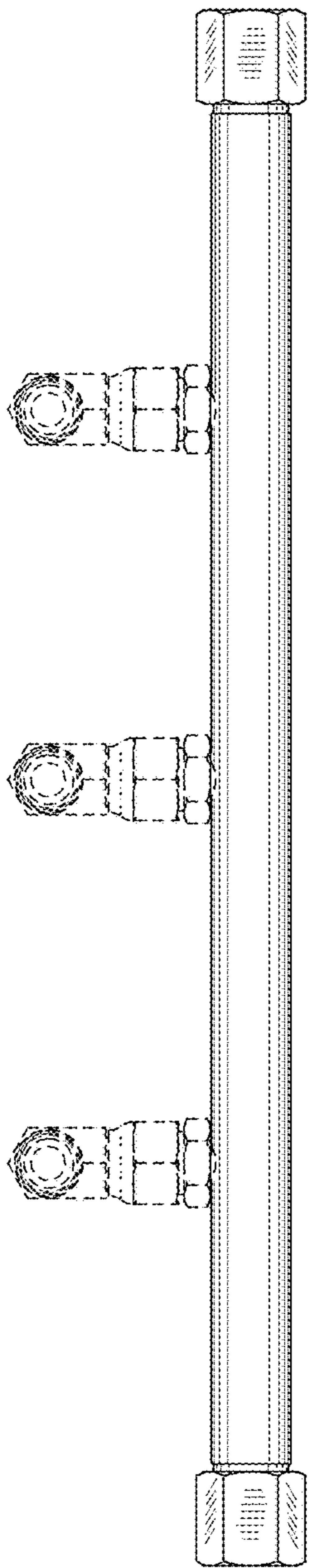


FIG. 18

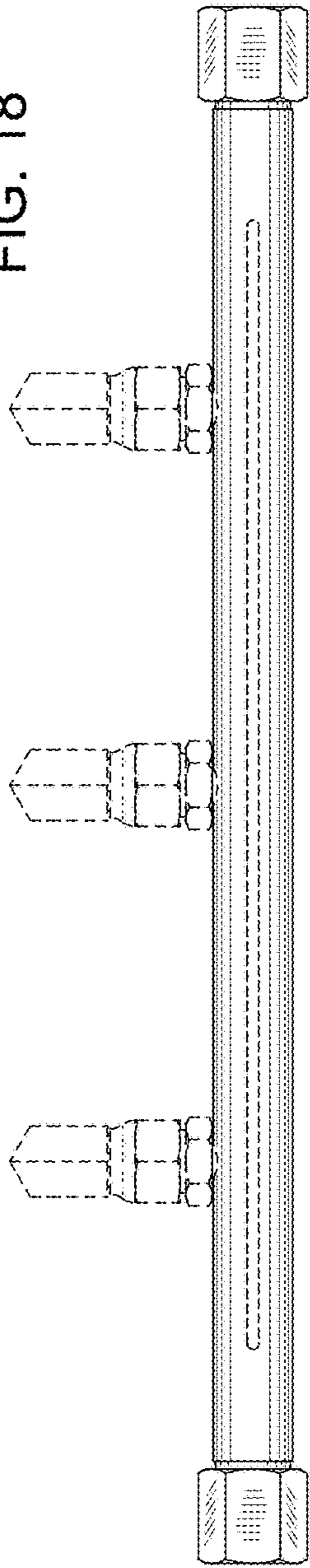


FIG. 19

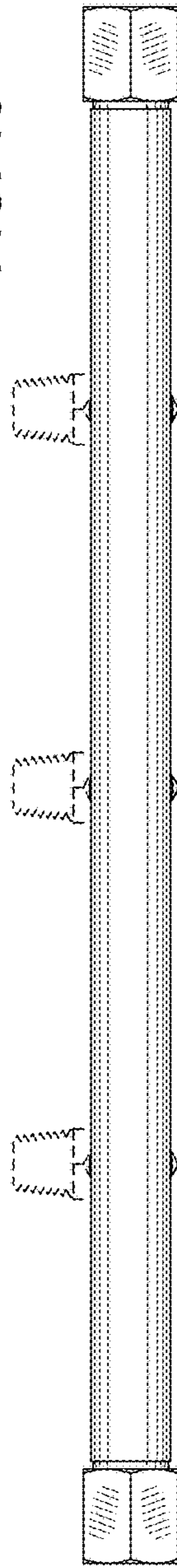


FIG. 20

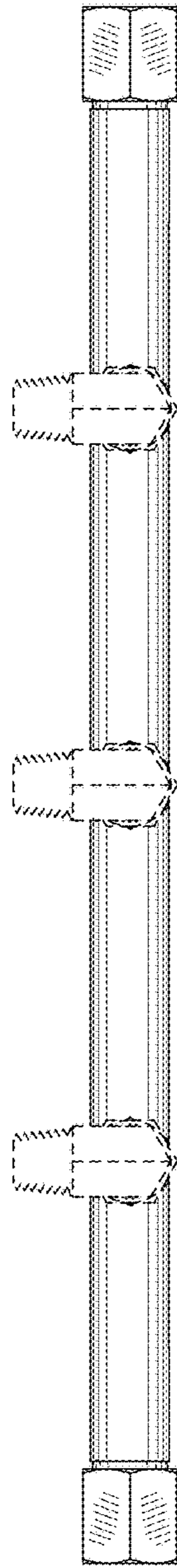


FIG. 21