



US00D854651S

(12) **United States Design Patent**  
**Verrett, Jr.**

(10) **Patent No.: US D854,651 S**  
(45) **Date of Patent: \*\* Jul. 23, 2019**

(54) **WATER SPRAYER HEAD**  
(71) Applicant: **Richard I. Verrett, Jr.**, Woodland Hills, CA (US)  
(72) Inventor: **Richard I. Verrett, Jr.**, Woodland Hills, CA (US)  
(\*\*) Term: **15 Years**  
(21) Appl. No.: **29/609,854**  
(22) Filed: **Jul. 6, 2017**  
(51) **LOC (11) Cl. .... 23-01**  
(52) **U.S. Cl.**  
USPC ..... **D23/213**  
(58) **Field of Classification Search**  
USPC ..... D23/213; 239/443, 433, 599-601; D15/138  
CPC .... B05B 1/02; B05B 1/04; B05B 1/18; B05B 1/08; B05B 1/005; B05B 1/042; E03C 1/086  
See application file for complete search history.

(56) **References Cited**

**U.S. PATENT DOCUMENTS**

1,896,204 A \* 2/1933 Schacht ..... E03C 1/086 210/445  
2,964,248 A \* 12/1960 O'Brien ..... B05B 1/04 239/544  
3,398,899 A \* 8/1968 Fry ..... B05B 1/042 239/592  
4,346,849 A \* 8/1982 Rood ..... B05B 1/00 239/597  
4,437,103 A \* 3/1984 Ikeda ..... B41J 2/162 239/601  
4,570,858 A \* 2/1986 Bintner ..... B05B 15/00 239/390  
4,718,607 A \* 1/1988 Levine ..... B05B 7/0416 239/451

7,128,283 B1 \* 10/2006 Shahin ..... B05B 1/042 239/600  
7,219,849 B1 \* 5/2007 Hedger ..... B05B 1/26 239/543  
7,712,433 B2 \* 5/2010 Lim ..... B05B 1/04 118/313  
8,079,534 B2 \* 12/2011 Fecht ..... B05B 1/042 239/590.5  
8,220,670 B2 \* 7/2012 Moribata ..... A45D 40/0075 215/235  
8,714,201 B2 \* 5/2014 Teng ..... E03C 1/08 137/504  
8,757,087 B2 \* 6/2014 Doker ..... A61M 5/329 118/307  
9,381,533 B2 \* 7/2016 Pellin ..... B05B 7/02  
9,631,855 B2 \* 4/2017 Dodson ..... B05B 1/02  
9,919,322 B2 \* 3/2018 Kim ..... B05B 5/0255

\* cited by examiner

*Primary Examiner* — Robin V Webster  
(74) *Attorney, Agent, or Firm* — Dunlap Bennett & Ludwig PLLC

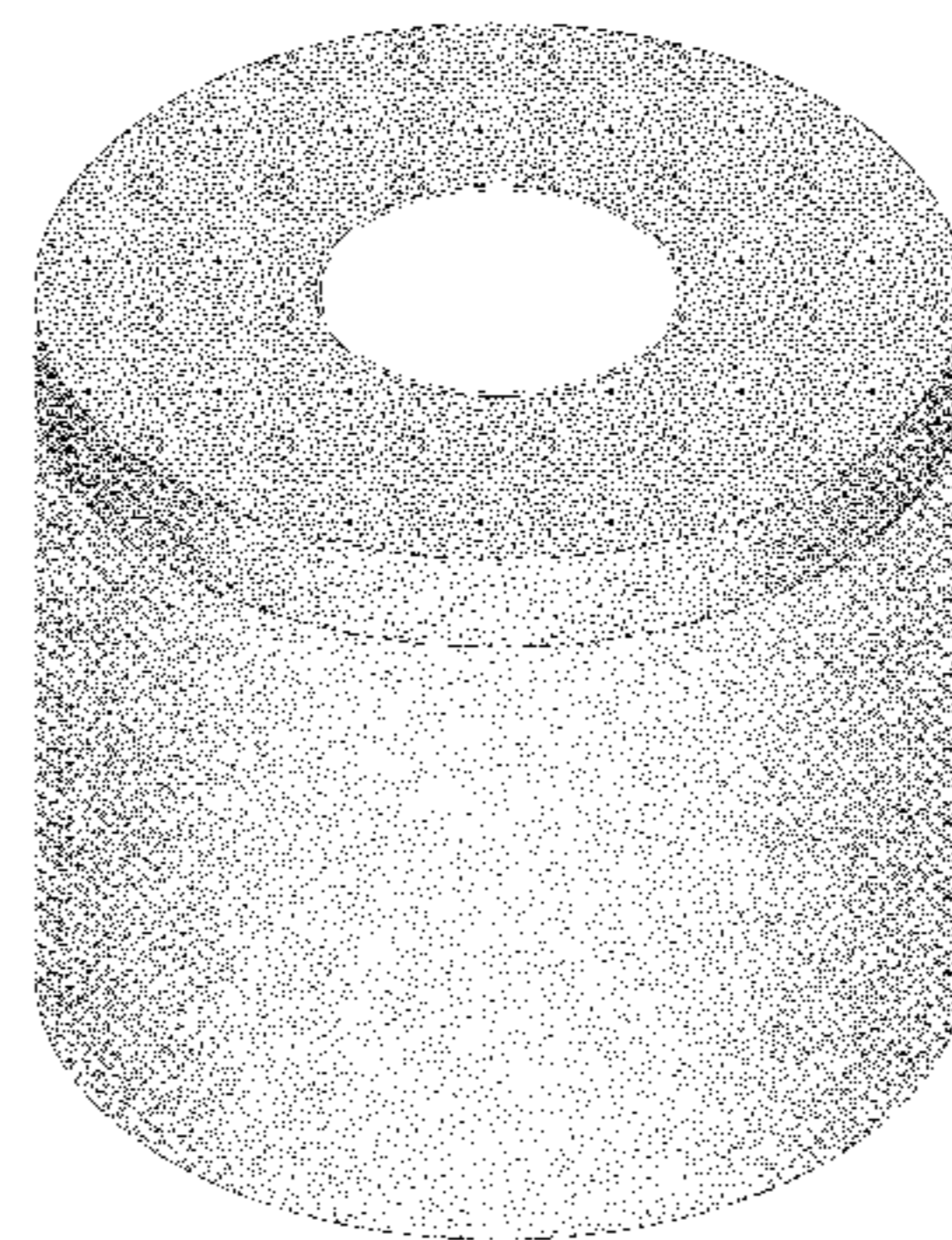
(57) **CLAIM**

The ornamental design for a water sprayer head, as shown and described.

**DESCRIPTION**

FIG. 1 is a perspective view of a water sprayer head, showing my new design;  
FIG. 2 is a front elevation view thereof;  
FIG. 3 is a right side elevation view thereof;  
FIG. 4 is a rear elevation view thereof;  
FIG. 5 is a left side elevation view thereof;  
FIG. 6 is a top plan view thereof; and,  
FIG. 7 is a bottom plan view thereof.  
The broken lines define the bounds of the claimed design. The use of stippling indicates a contrasting material with the adjacent portion of the water sprayer head.

**1 Claim, 4 Drawing Sheets**



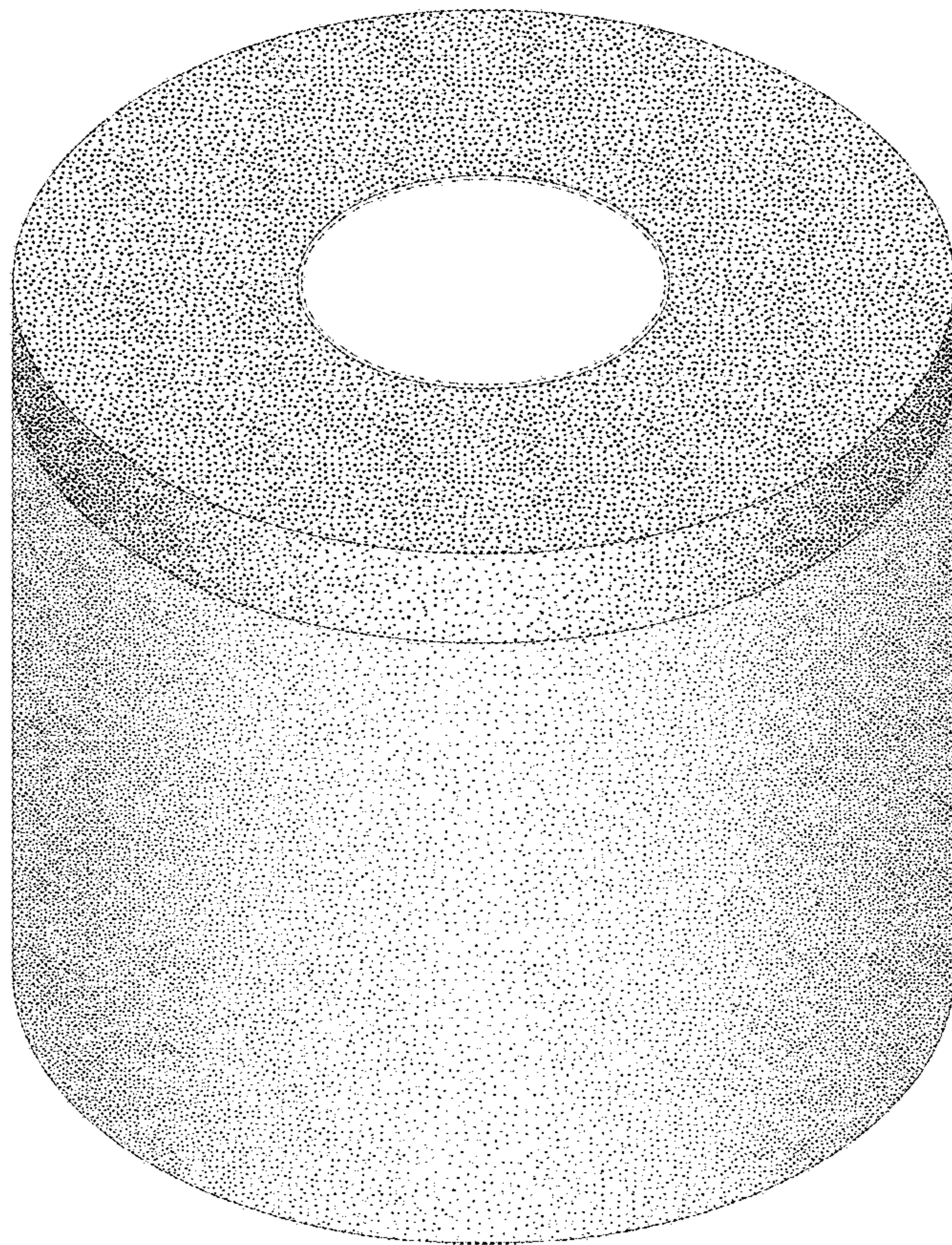


FIG. 1

FIG.2

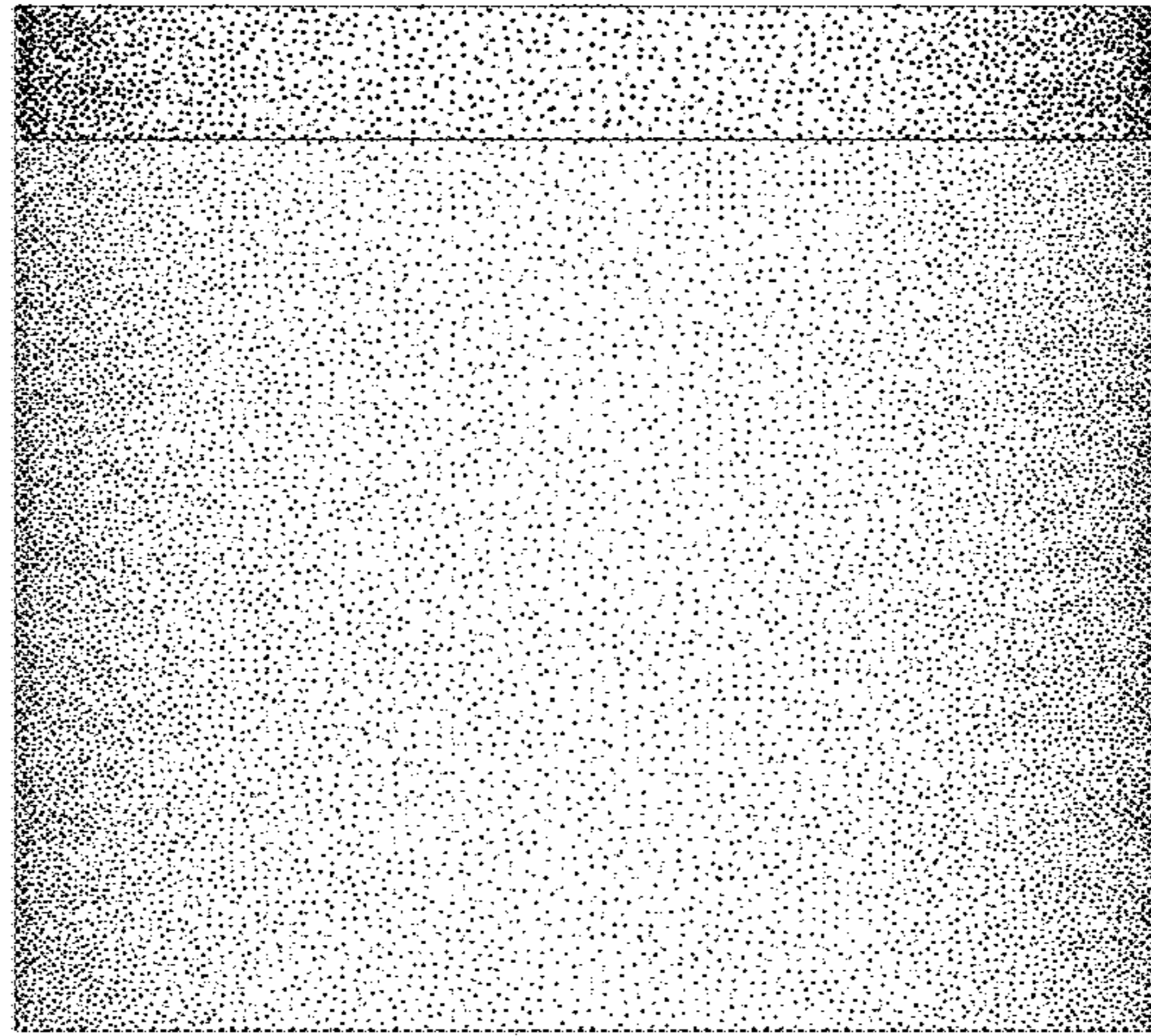


FIG.3

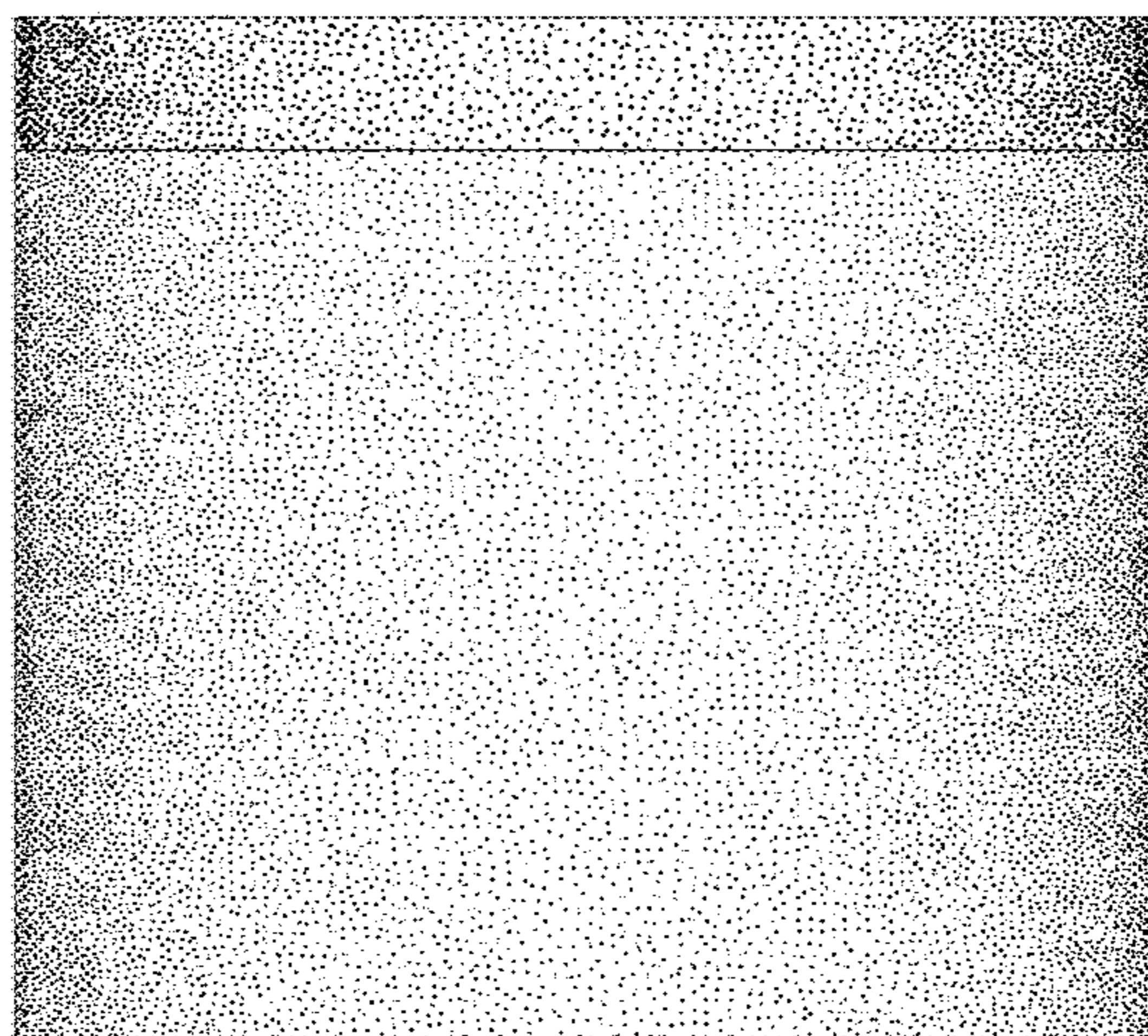


FIG.4

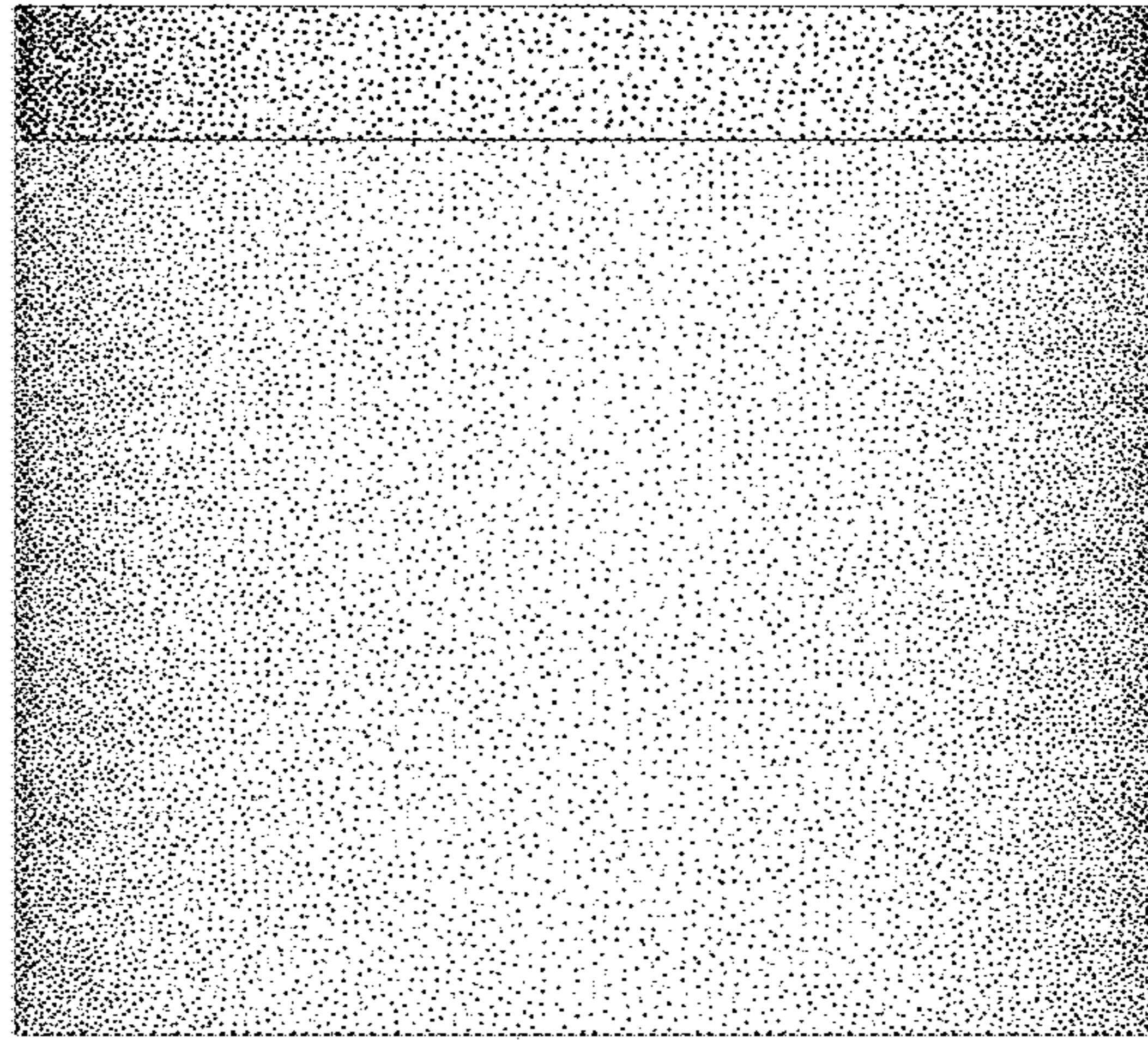
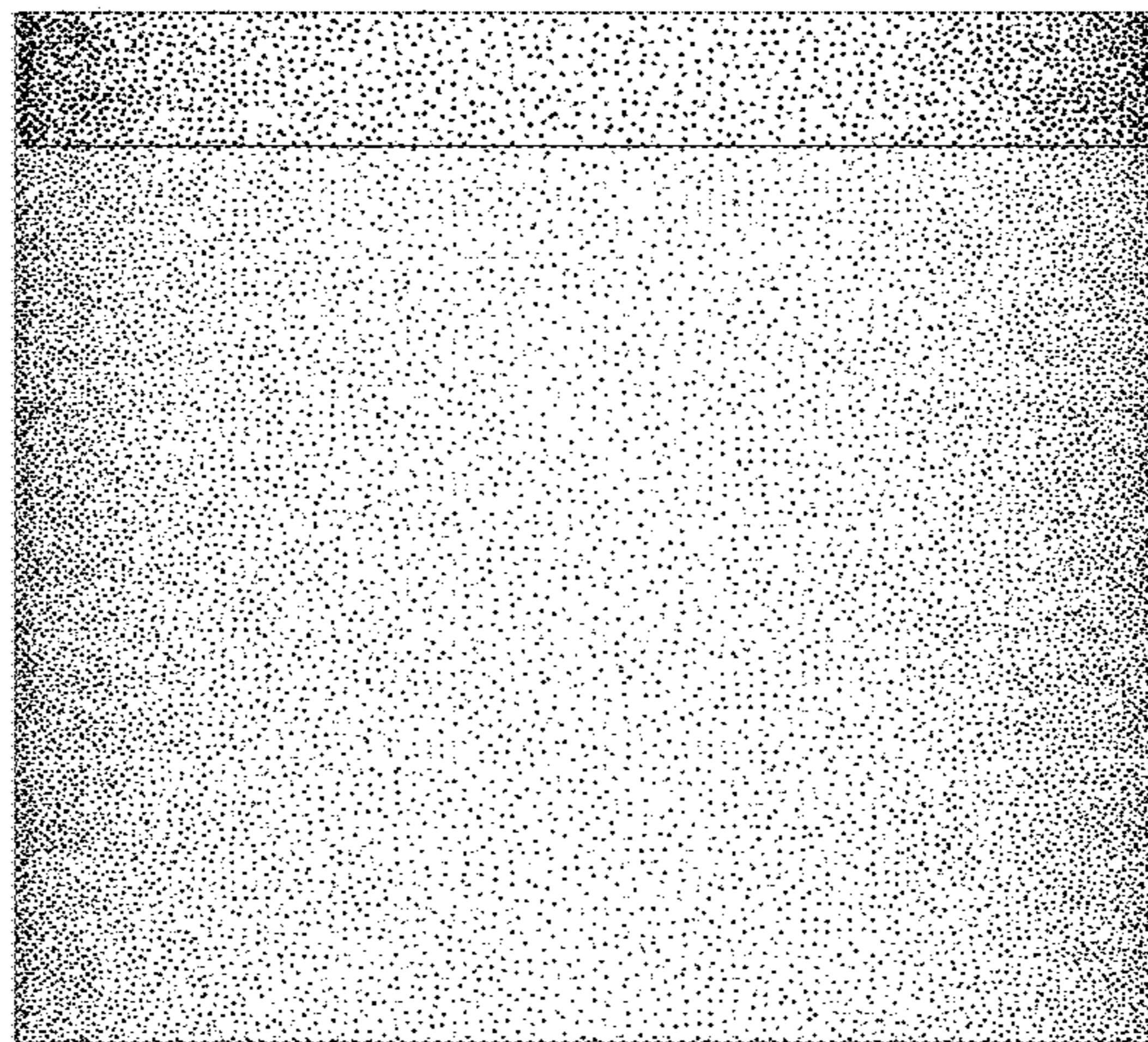


FIG.5



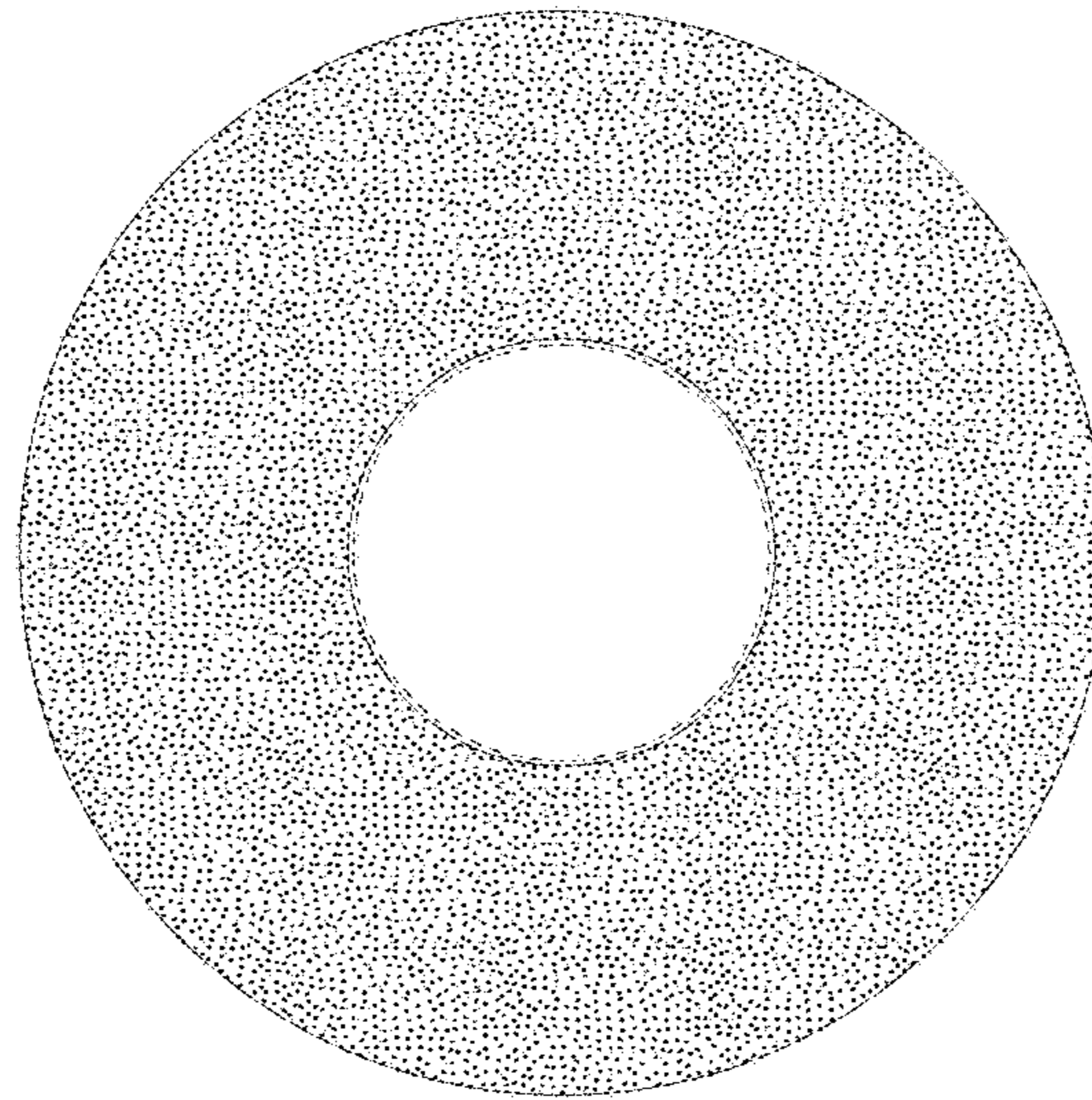


FIG. 6

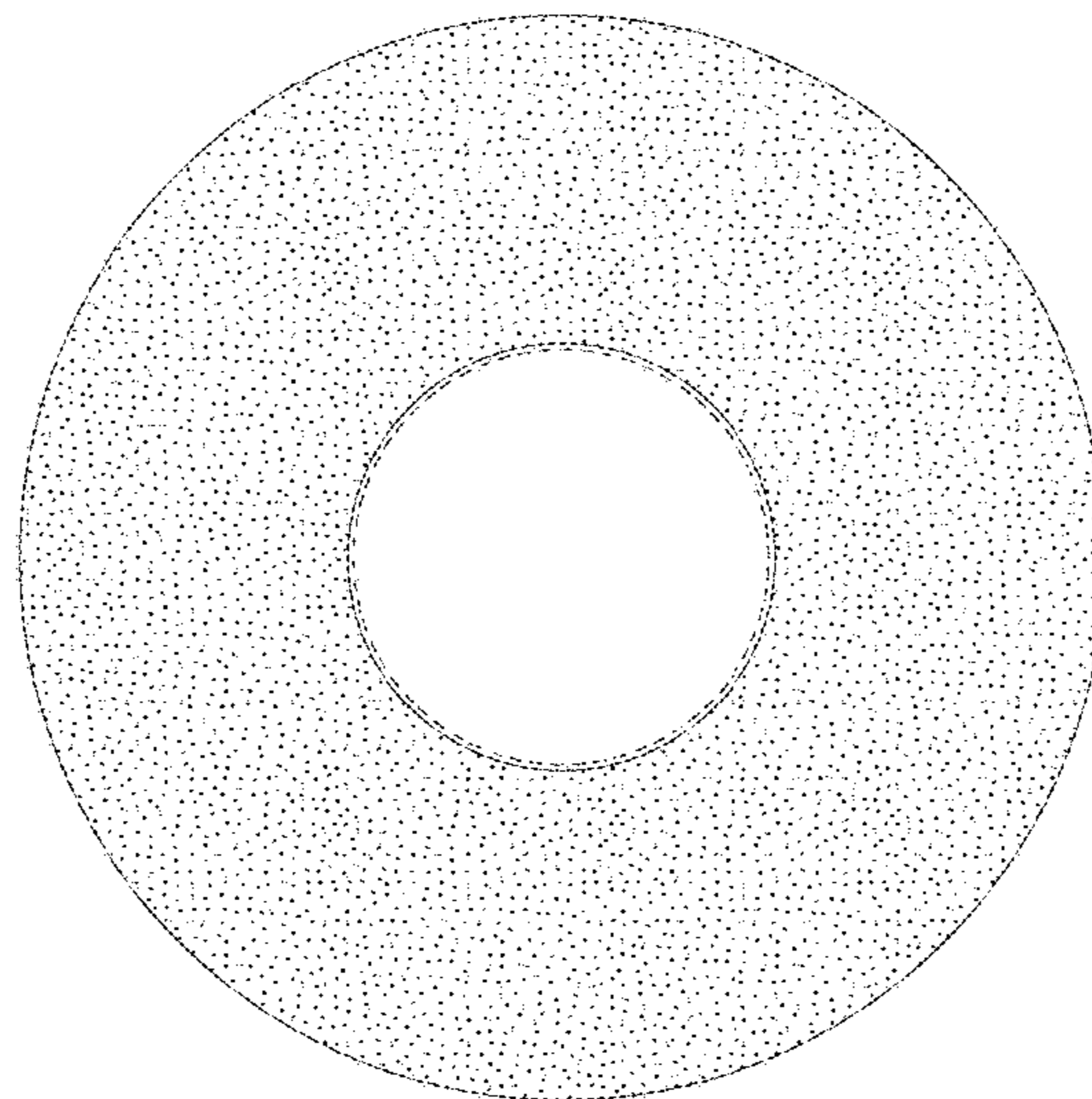


FIG. 7