



US00D854649S

(12) **United States Design Patent** (10) **Patent No.:** **US D854,649 S**
Coche (45) **Date of Patent:** **** Jul. 23, 2019**

(54) **COMPONENT OF A MODULAR SYSTEM FOR VERTICAL HYDROPONICS**

(71) Applicant: **Thierry Coche**, Wépion (BE)

(72) Inventor: **Thierry Coche**, Wépion (BE)

(**) Term: **15 Years**

(21) Appl. No.: **35/504,382**

(22) Filed: **Jan. 3, 2017**

(80) **Hague Agreement Data**

Int. Filing Date: **Jan. 3, 2017**

Int. Reg. No.: **DM/099266**

Int. Reg. Date: **Jan. 3, 2017**

Int. Reg. Pub. Date: **Feb. 2, 2018**

(51) **LOC (11) Cl.** **23-01**

(52) **U.S. Cl.**
USPC **D23/202**

(58) **Field of Classification Search**
USPC D26/18; D11/152, 143; D8/1; D23/202
CPC A01K 61/10; A01G 9/022; A01G 9/023;
A01G 31/02

See application file for complete search history.

(56) **References Cited**

U.S. PATENT DOCUMENTS

D278,989	S *	5/1985	Baumann	D11/143
7,861,459	B2 *	1/2011	Brooke	A01G 31/02 47/48.5
8,266,840	B2 *	9/2012	Jung	A01G 9/023 47/82
D669,752	S *	10/2012	DeMitchell	D8/1
D742,784	S *	11/2015	Harms	D11/152
9,622,427	B2 *	4/2017	Wagner	A01G 9/022
D814,687	S *	4/2018	Stanley	D26/118
D825,827	S *	8/2018	Stanley	D26/118
10,080,336	B2 *	9/2018	Higgins	A01K 61/10

* cited by examiner

Primary Examiner — George D. Kirschbaum

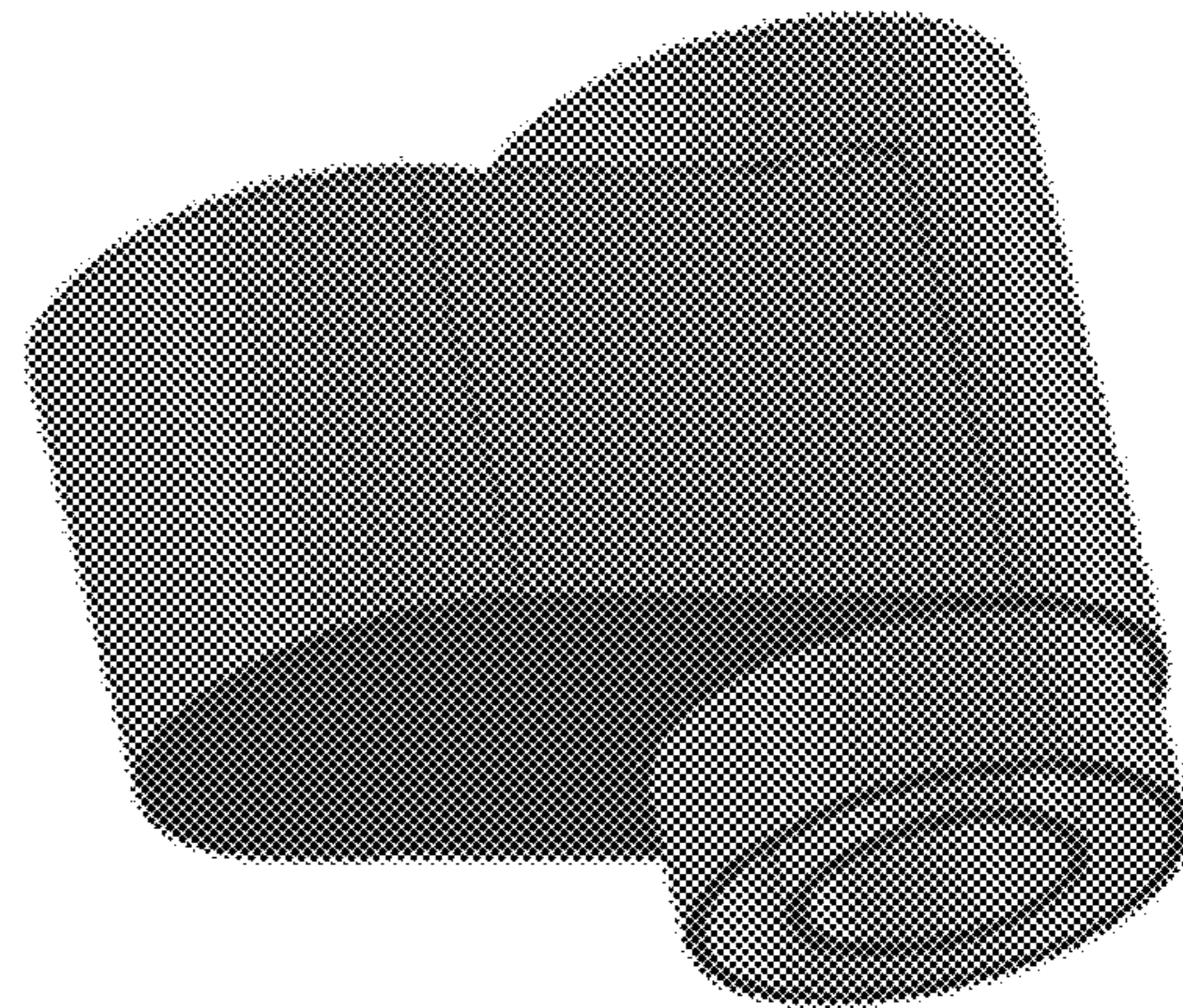
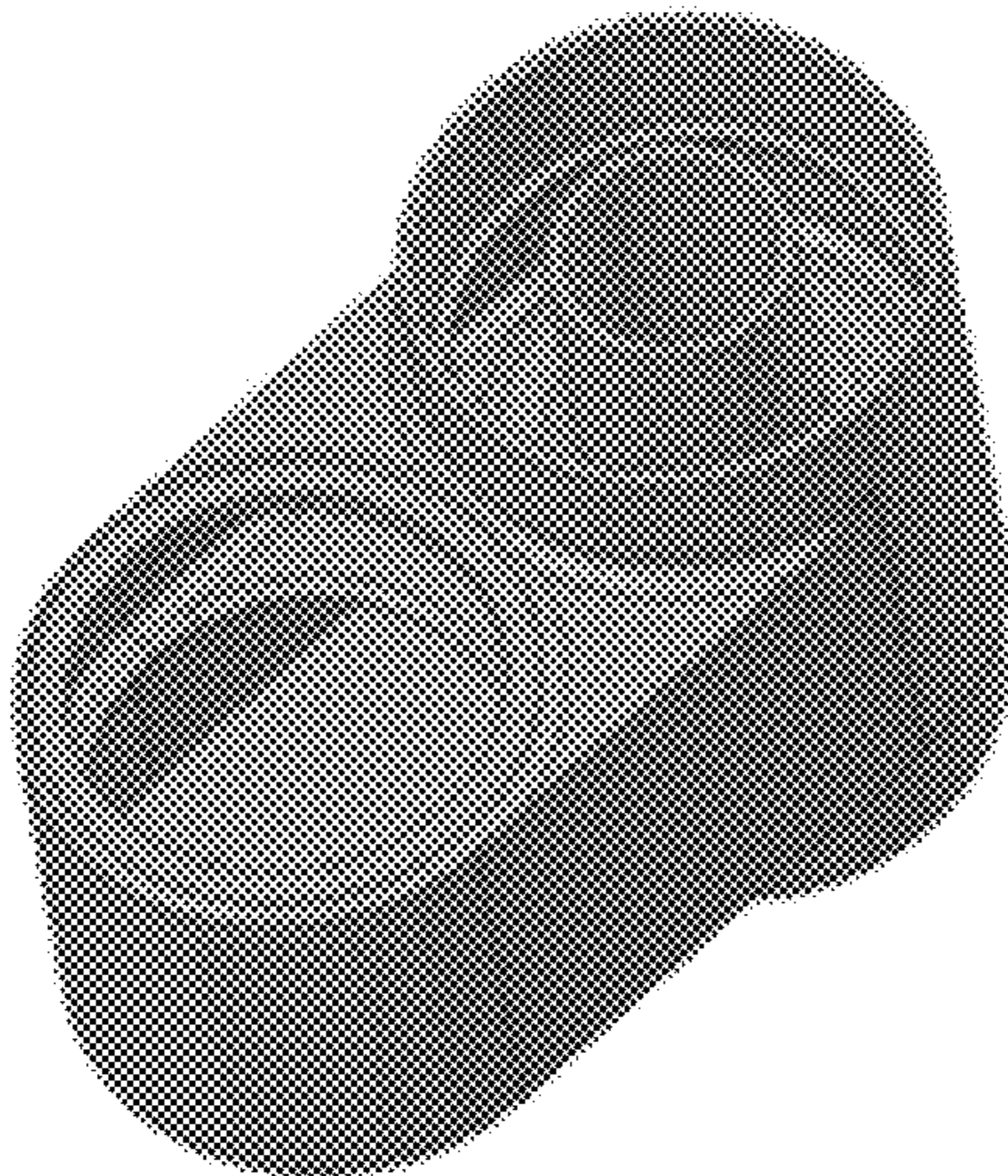
(57) **CLAIM**

The ornamental design for a component of a modular system for vertical hydroponics, as shown and described.

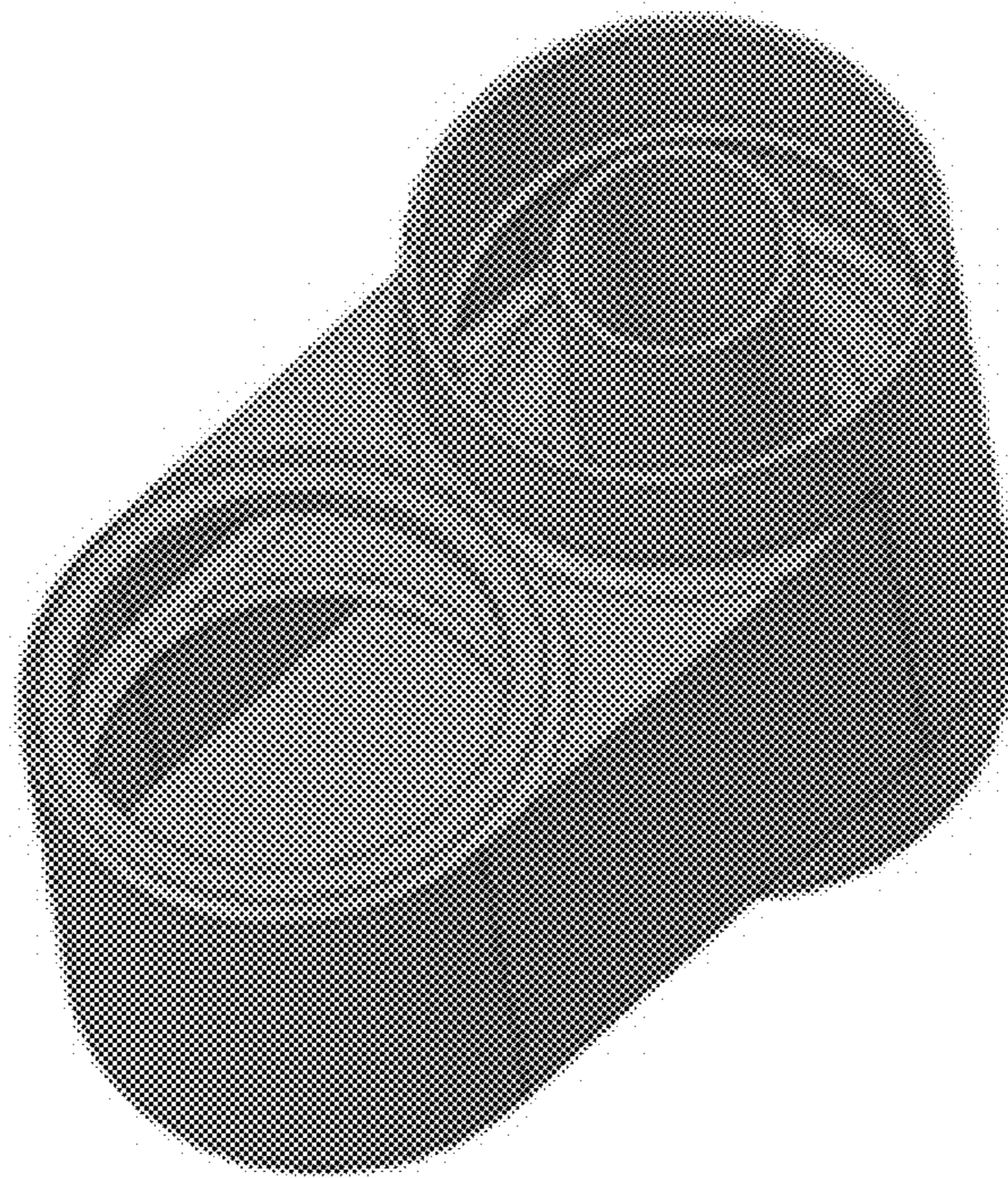
DESCRIPTION

4. Components of a modular system for vertical hydroponics
4.1 is a top perspective view.
4.2 is a bottom perspective view.

1 Claim, 2 Drawing Sheets



4.1



4.2

