



US00D854644S

(12) **United States Design Patent**
Shelton et al.

(10) **Patent No.:** **US D854,644 S**
(45) **Date of Patent:** **** Jul. 23, 2019**

- (54) **VERTICAL GRIP FOR A FIREARM**
- (71) Applicant: **RAILSCALES LLC**, Claremore, OK (US)
- (72) Inventors: **Derek Hunter Shelton**, Claremore, OK (US); **Brent Taylor McGuire**, Depew, OK (US)
- (73) Assignee: **RAILSCALES LLC**, Claremore, OK (US)
- (**) Term: **15 Years**
- (21) Appl. No.: **29/649,559**
- (22) Filed: **May 31, 2018**
- (51) **LOC (11) Cl.** **22-01**
- (52) **U.S. Cl.**
USPC **D22/108**
- (58) **Field of Classification Search**
USPC D22/100, 101, 102, 103, 104, 105, 106, D22/107, 108, 109, 110, 111, 199; D21/571, 573, 574, 575, 746
CPC F41C 23/14; F41C 23/20; F41C 23/04; F41C 23/00; F41C 23/10; F41C 27/00; F41C 7/00; F41C 23/06; F41C 3/00; F41B 5/10; F41B 5/14; F41B 5/0094; F41B 5/1469; F41B 5/00
See application file for complete search history.

- (56) **References Cited**
U.S. PATENT DOCUMENTS
7,559,167 B1 * 7/2009 Moody F41C 23/16 42/71.01
7,568,304 B1 * 8/2009 Moody F41A 23/08 42/71.01
D633,163 S * 2/2011 Fitzpatrick D22/108
D704,298 S * 5/2014 Cheng D22/109

D745,628 S *	12/2015	Barfoot	D22/108
9,523,551 B2 *	12/2016	Iannello	F41C 23/16
D790,652 S *	6/2017	Gaddini	D22/108
D814,594 S *	4/2018	Saadon	D22/108
D826,361 S *	8/2018	Cheng	D22/108
D833,564 S *	11/2018	Gaddini	D22/108
2010/0307043 A1 *	12/2010	Moody	F41A 23/08 42/72
2015/0198408 A1 *	7/2015	Kincel	F41C 23/16 42/72

OTHER PUBLICATIONS

“BK10” [online]. railscales.us. [Available as early as Jan. 31, 2019]. Retrieved from the Internet: <<https://www.railscales.us/products/rsb>>.*

(Continued)

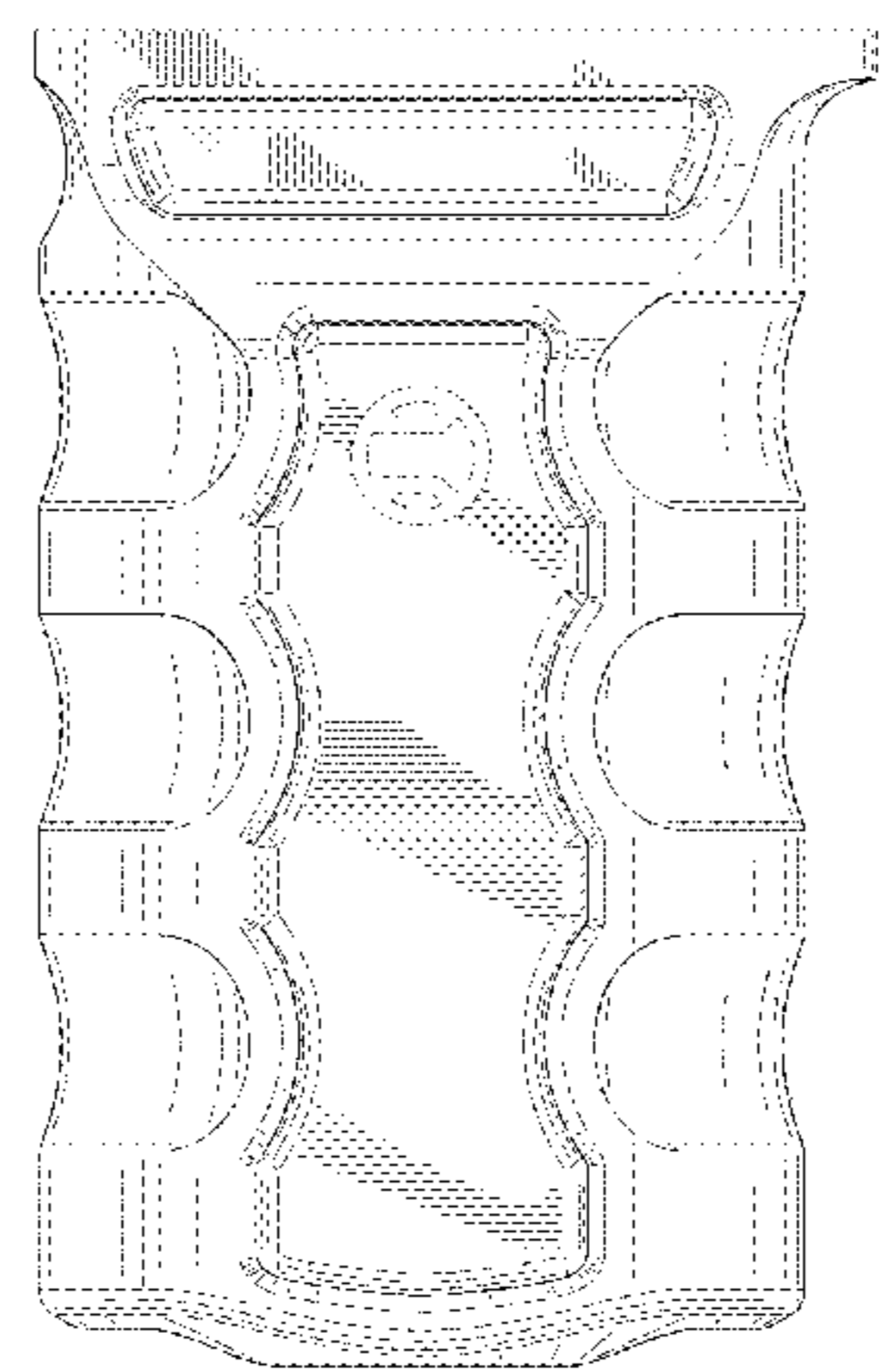
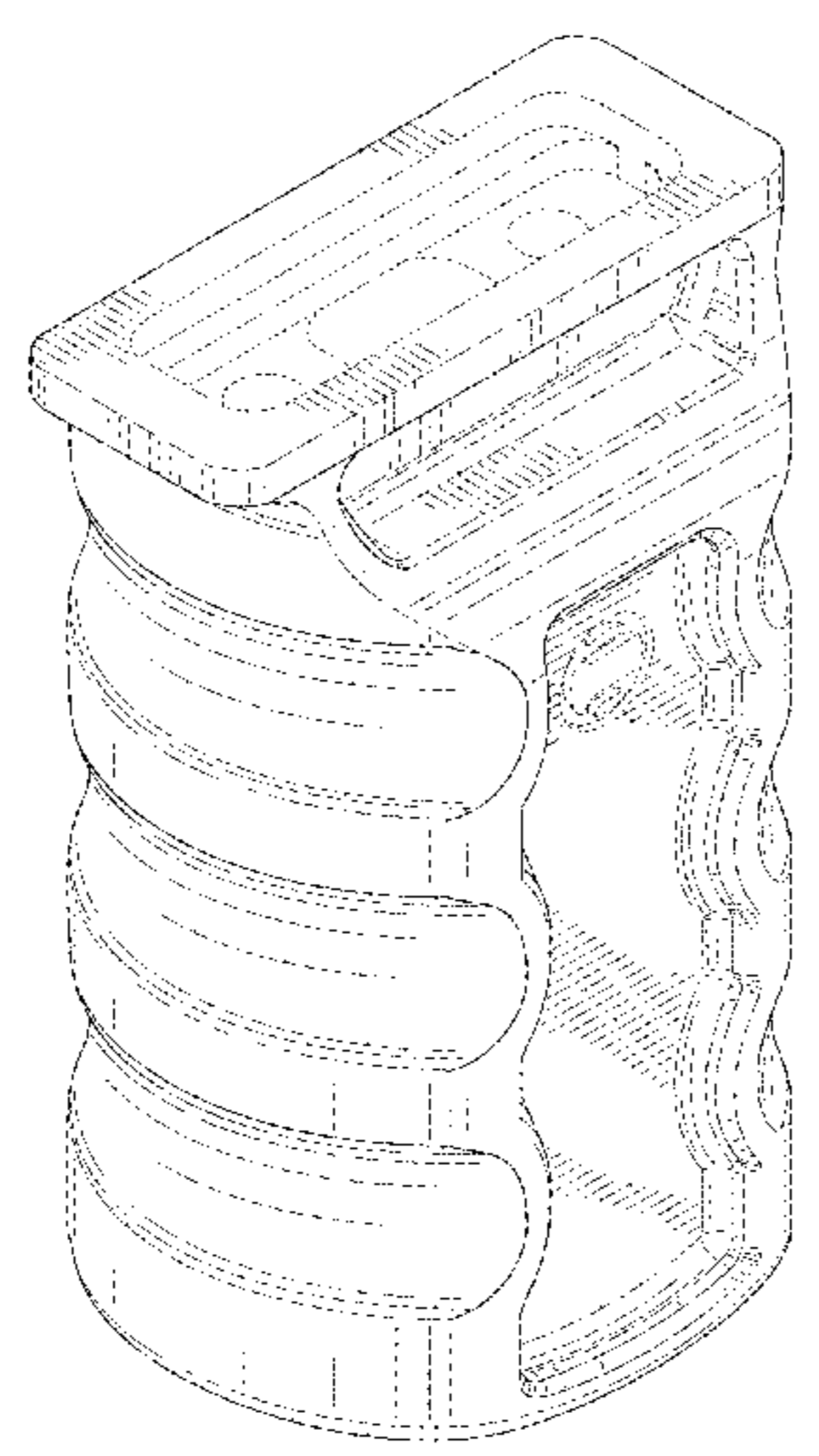
Primary Examiner — Khawaja Anwar
Assistant Examiner — Mojtaba Tehrani
(74) *Attorney, Agent, or Firm* — Eversheds Sutherland (US) LLP

(57) **CLAIM**
We claim the ornamental design for a vertical grip for a firearm, as shown and described.

DESCRIPTION

FIG. 1 is a perspective view of a vertical grip for a firearm, showing our new design;
FIG. 2 is a side view thereof;
FIG. 3 is a front view thereof;
FIG. 4 is a side view thereof;
FIG. 5 is a rear view thereof;
FIG. 6 is a top view thereof; and,
FIG. 7 is a bottom view thereof.
The broken line in the drawings depicts unclaimed portion of the grip only and forms no part of the claimed design.

1 Claim, 6 Drawing Sheets



(56)

References Cited

OTHER PUBLICATIONS

“Tango Down Stubby Grip Review” [online]. James Grant. [Published on Nov. 21, 2016]. Retrieved from the Internet: <<https://gunmagwarehouse.com/blog/tangodownstubgripreview/>>.*

“Gear Review: BCM Forend Grips” [online]. Tyler Kee. [Published on May 30, 2015]. Retrieved from the Internet: <<https://www.thetruthaboutguns.com/2015/05/tyler-kee/gear-review-bcm-forend-grips/>>.*

* cited by examiner

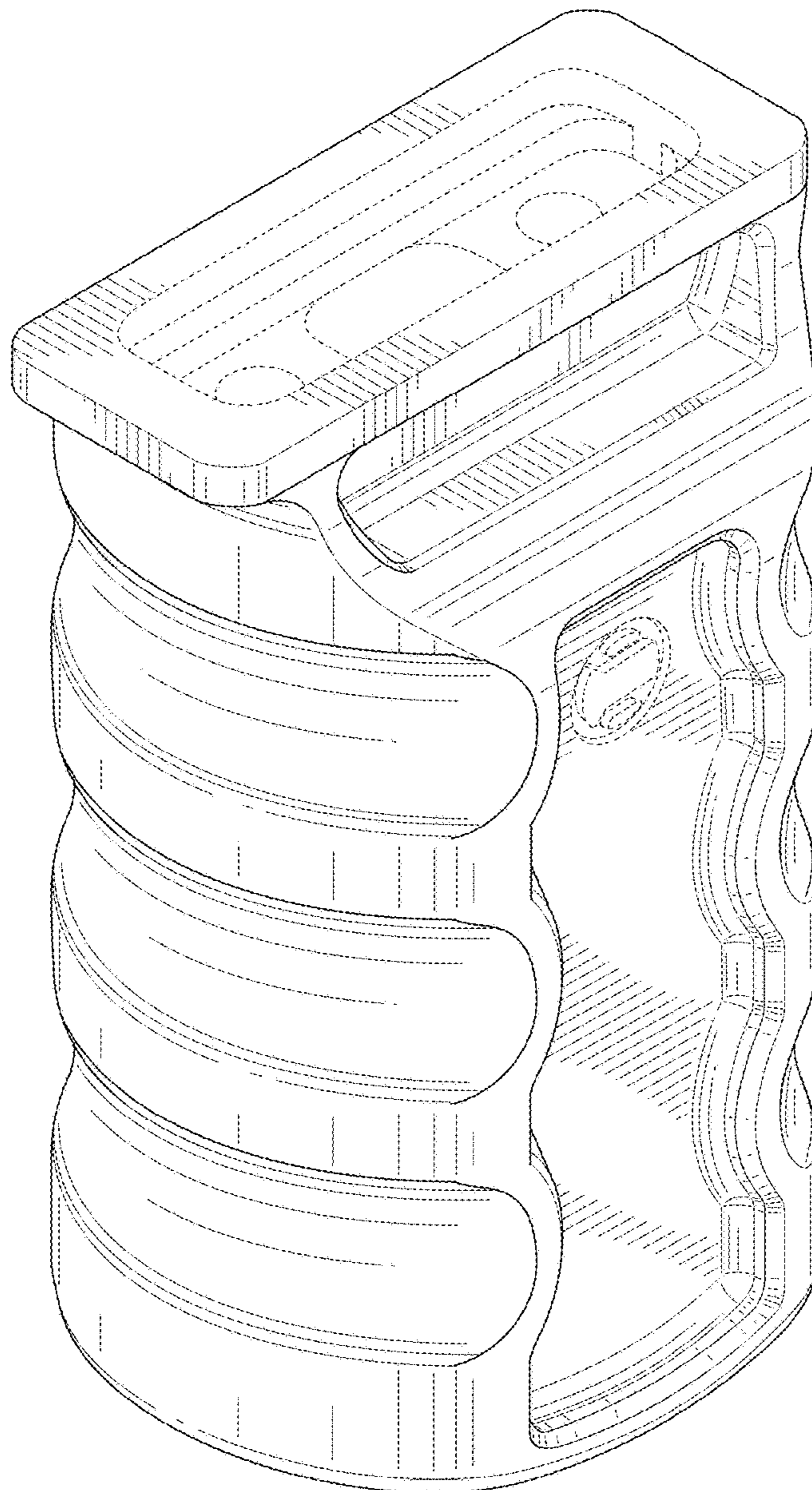


FIG. 1

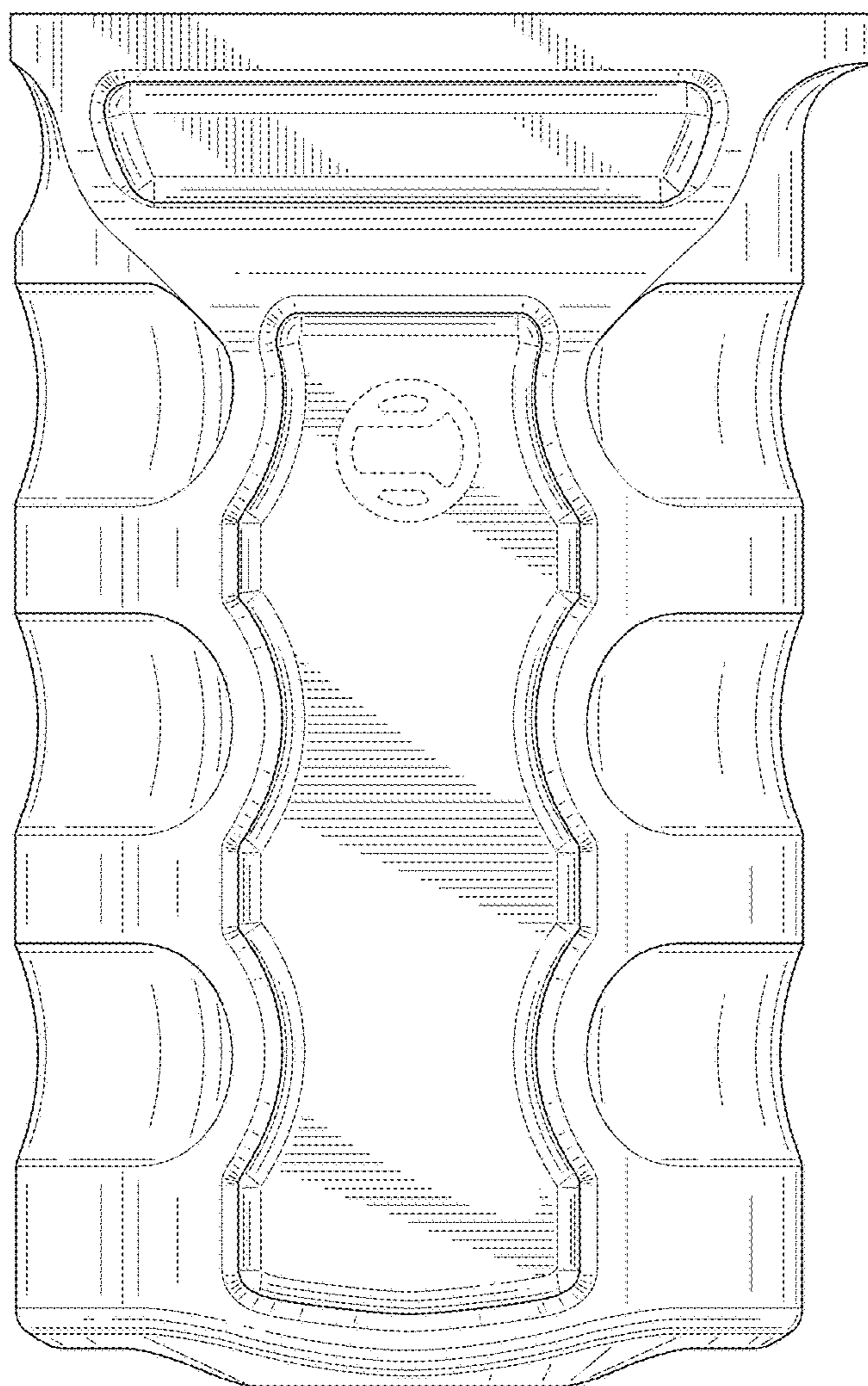


FIG. 2

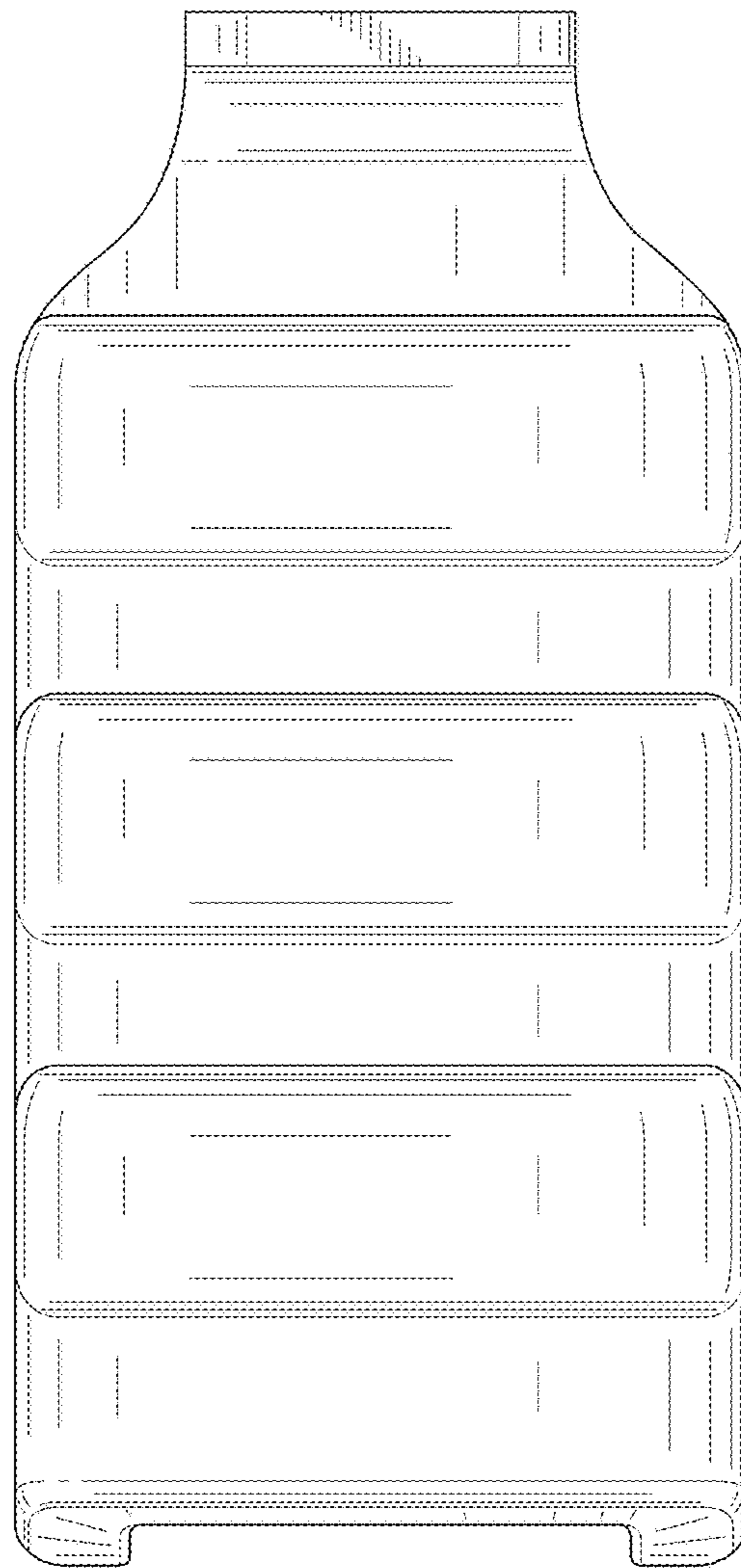


FIG. 3

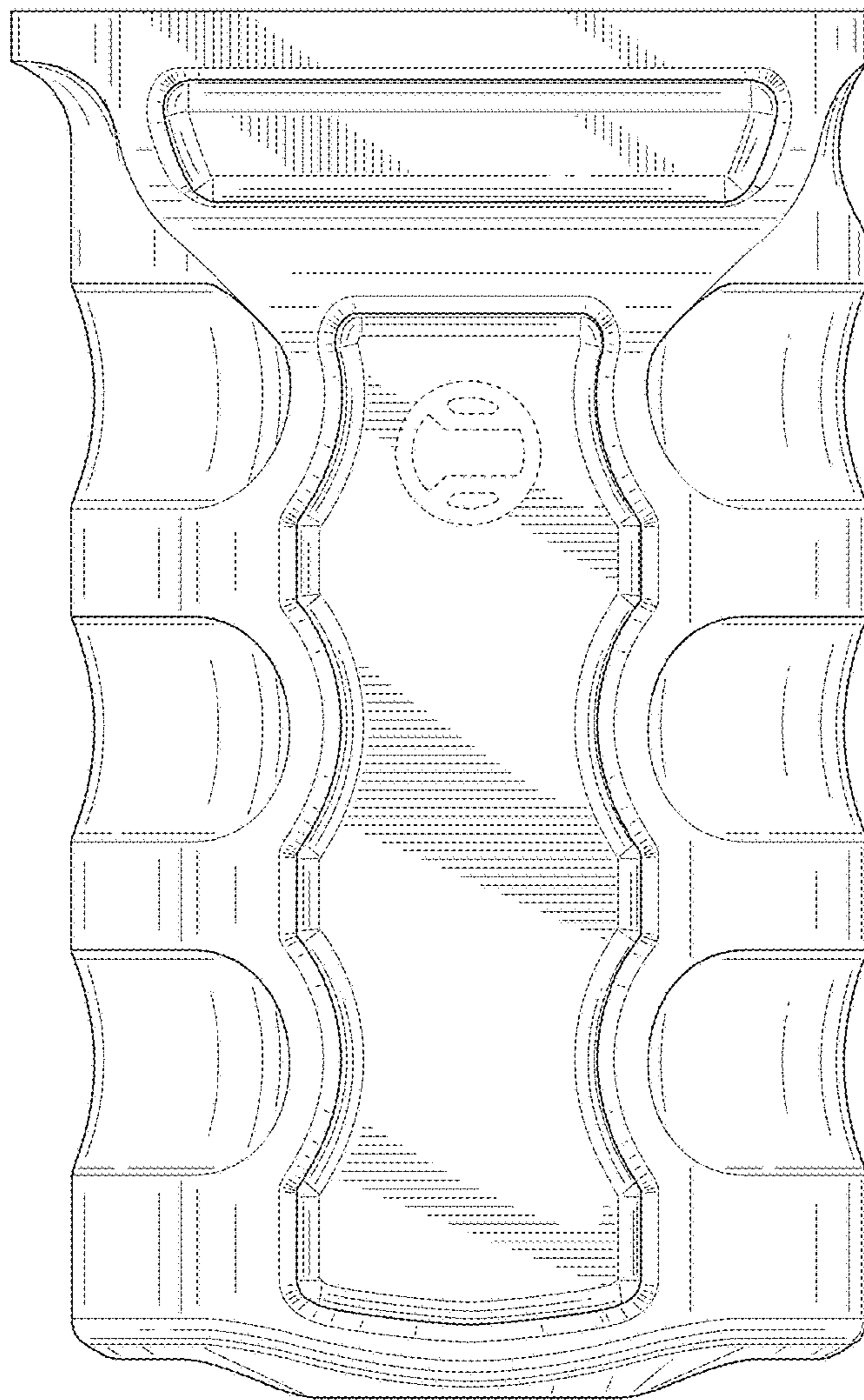


FIG. 4

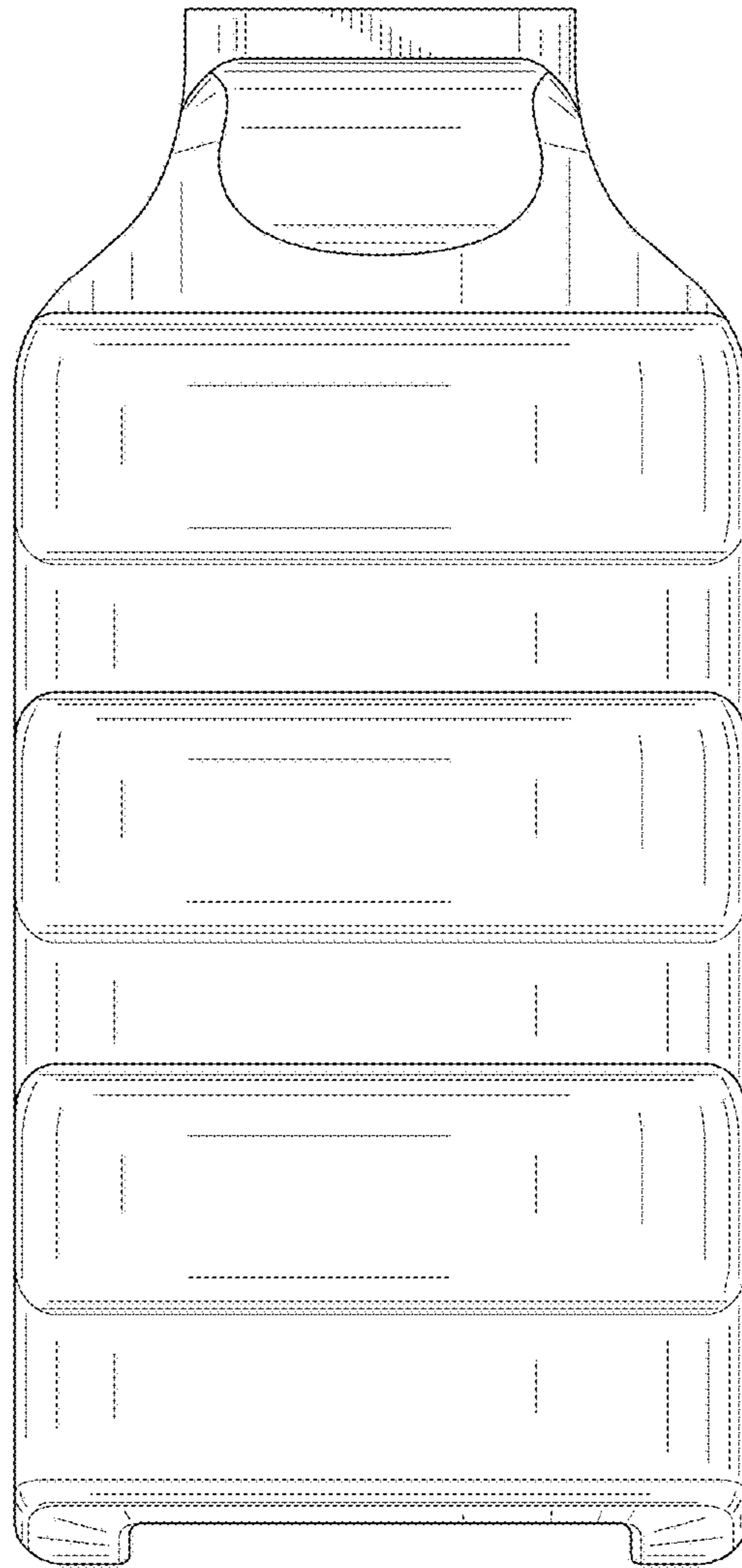


FIG. 5

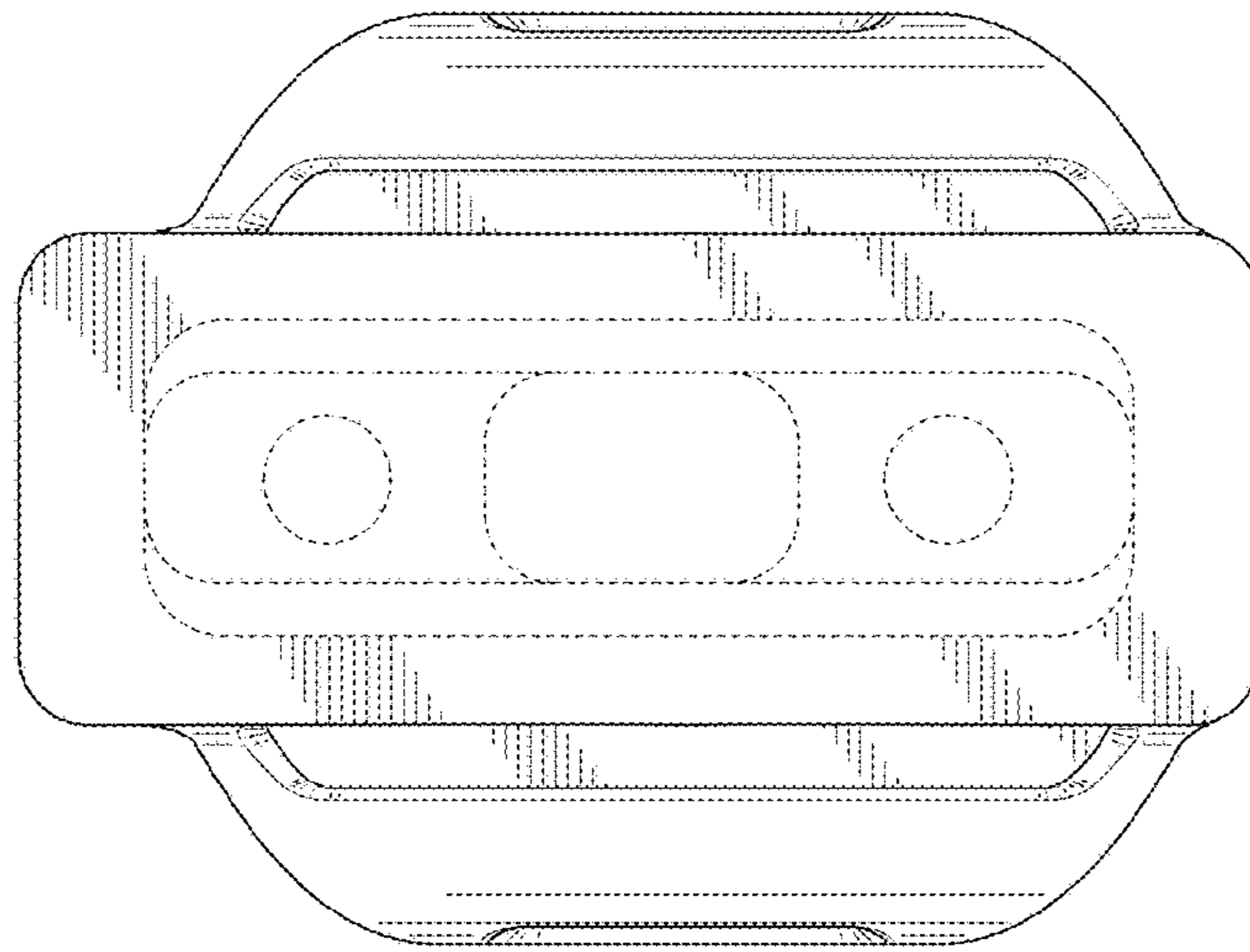


FIG. 6

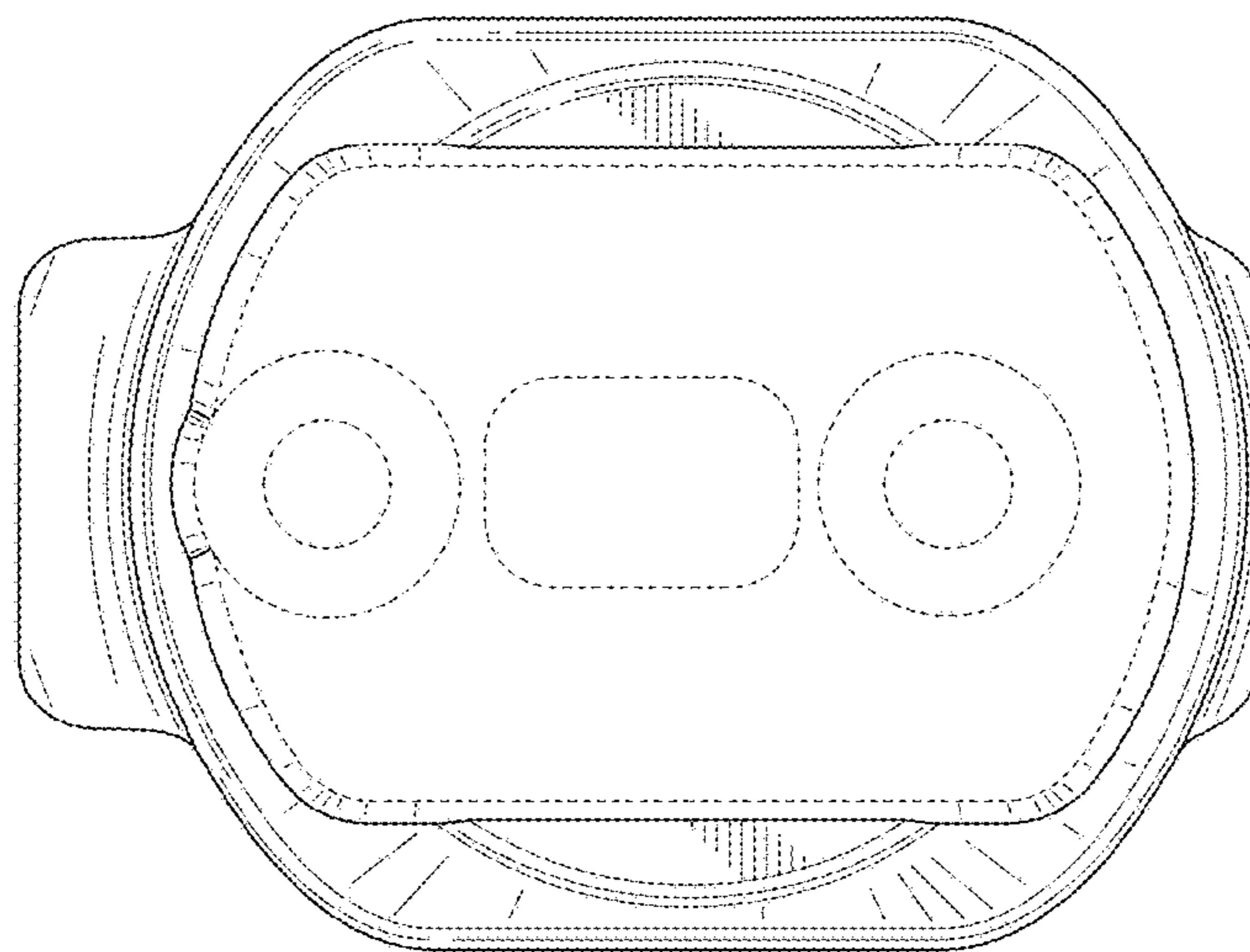


FIG. 7