



US00D854642S

(12) **United States Design Patent**  
**Shinkle et al.**

(10) **Patent No.:** **US D854,642 S**  
(45) **Date of Patent:** **\*\* Jul. 23, 2019**

(54) **SEMIAUTOMATIC HANDGUN**  
(71) Applicant: **Sig Sauer, Inc.**, Newington, NH (US)  
(72) Inventors: **Scott D. Shinkle**, Greenland, NH (US);  
**Adrian Thomele**, Stratham, NH (US);  
**Matthew A. Taylor**, Barrington, NH (US);  
**Tyler Michael Rainaud**, Rochester, NH (US);  
**Jason Knight**, Exeter, NH (US)  
(73) Assignee: **Sig Sauer, Inc.**, Newington, NH (US)

(\*\*) Term: **15 Years**

(21) Appl. No.: **29/632,270**

(22) Filed: **Jan. 5, 2018**

(51) **LOC (11) Cl.** ..... **22-01**

(52) **U.S. Cl.**  
USPC ..... **D22/104; D21/574**

(58) **Field of Classification Search**  
USPC ..... D21/301, 304, 567, 570, 571, 573, 574,  
D21/575, 746; D22/100, 101, 102, 103,  
D22/106, 107, 108, 109, 110, 111, 112,  
D22/115, 116, 199  
CPC ..... F41A 3/26; F41A 3/12; F41A 5/02; F41A  
17/22; F41B 5/143; F41B 5/14; F41B  
5/066; F41B 7/08; F41B 5/1446; F41B  
(Continued)

(56) **References Cited**

**U.S. PATENT DOCUMENTS**

1,245,499 A 11/1917 Gardner  
4,099,595 A 7/1978 Tracy  
(Continued)

**OTHER PUBLICATIONS**

“SIG P365 High-Capacity Micro-Compact Pistol” [online]. SIG Sauer, Inc. [Published on Jan. 8, 2018]. Retrieved from the Internet: <<https://www.youtube.com/watch?v=0fvwq6-nWiE>>.\*

(Continued)

*Primary Examiner* — Khawaja Anwar  
*Assistant Examiner* — Mojtaba Tehrani  
(74) *Attorney, Agent, or Firm* — Finch & Maloney PLLC

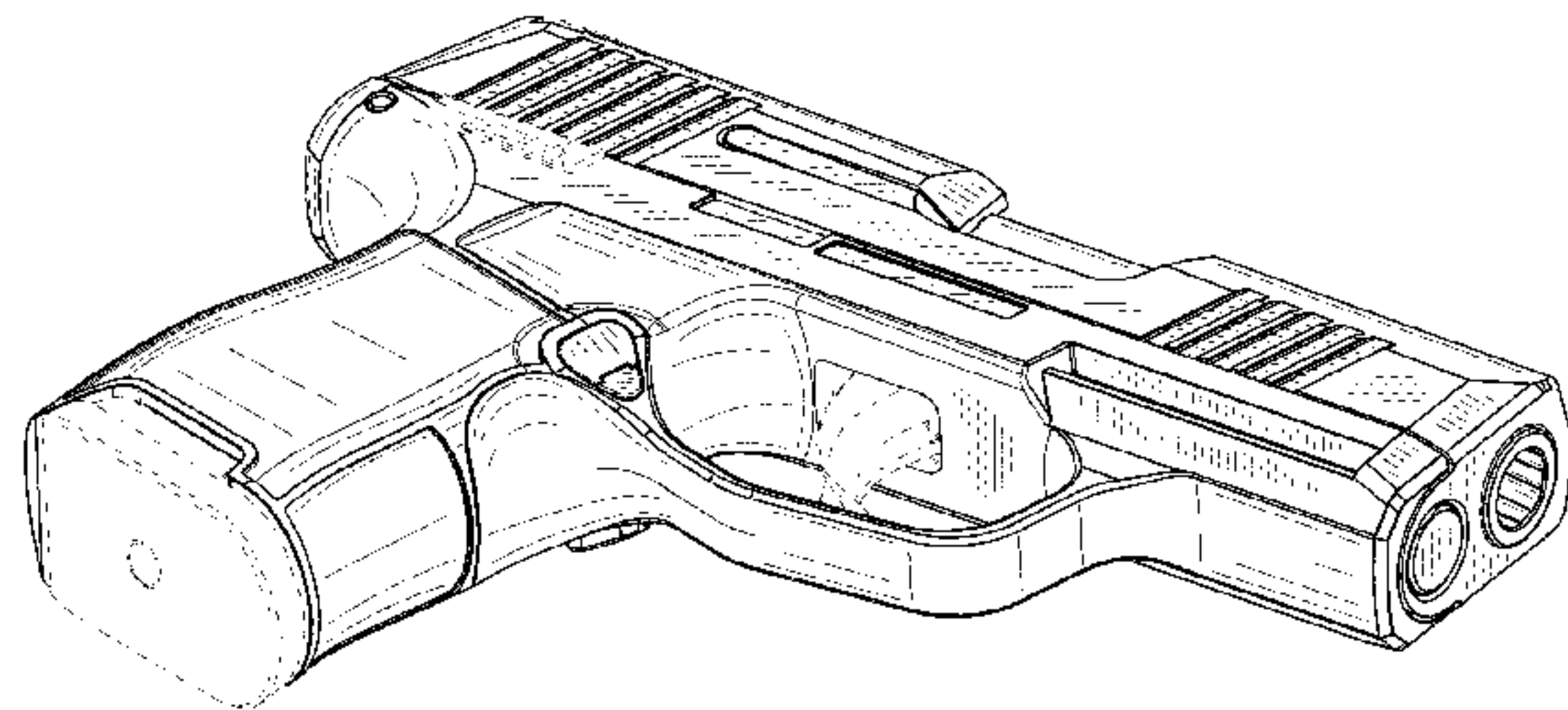
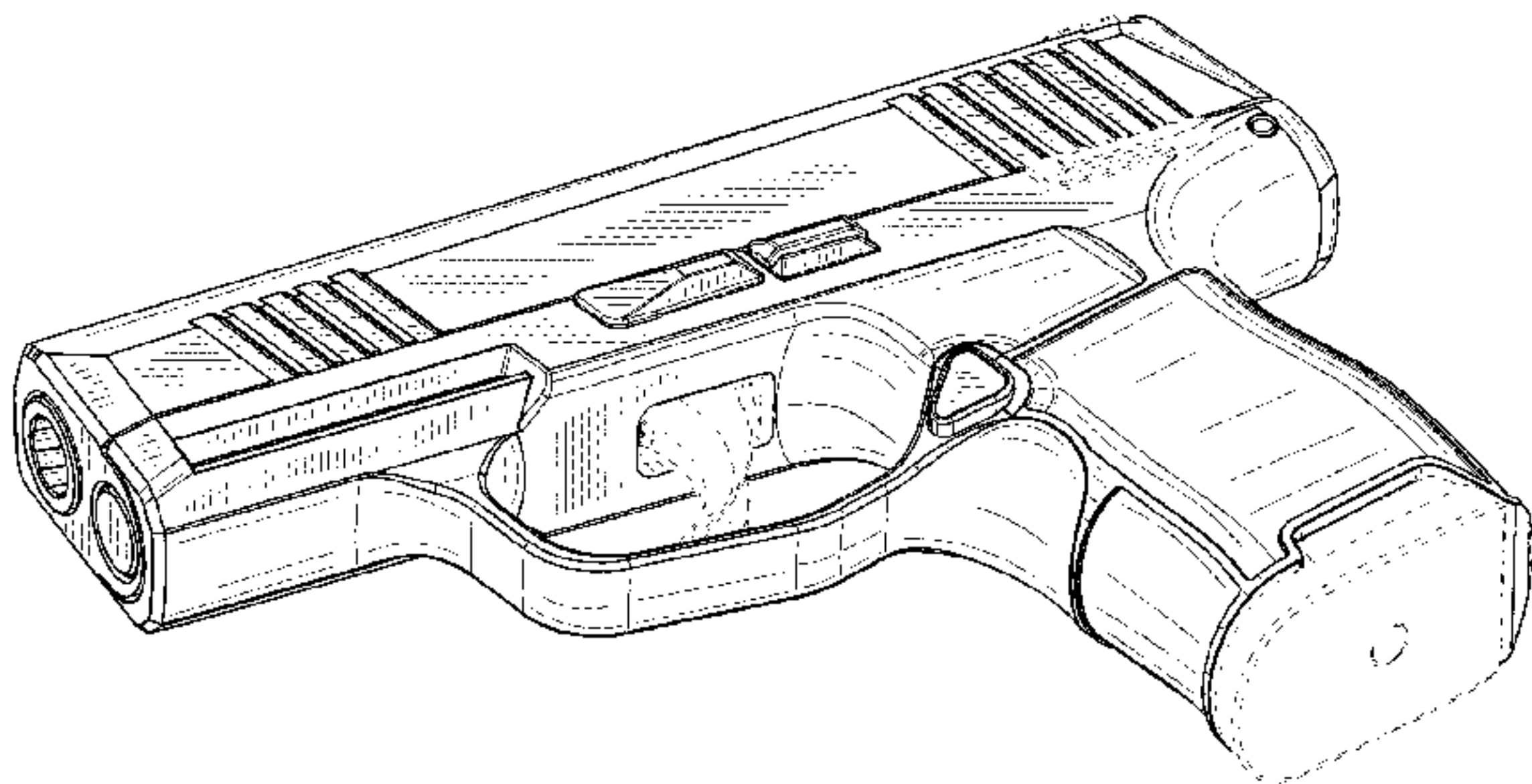
(57) **CLAIM**

The ornamental design for a semiautomatic handgun, as shown and described.

**DESCRIPTION**

FIG. 1 is a front, top left-side perspective view of a semi-automatic handgun showing our new design;  
FIG. 2 is a right-side, front, and top perspective view thereof;  
FIG. 3 is a right-side, rear, and bottom perspective view thereof;  
FIG. 4 is a left-side, rear, and bottom perspective view thereof;  
FIG. 5 is a bottom, left-side, and front perspective view thereof;  
FIG. 6 is a bottom, right-side, and front perspective view thereof;  
FIG. 7 is a top, left-side, and rear perspective view thereof;  
FIG. 8 is a top, right-side, and rear perspective view thereof;  
FIG. 9 is a front elevational view thereof;  
FIG. 10 is a rear elevational view thereof;  
FIG. 11 is right-side elevational view thereof;  
FIG. 12 is left-side elevational view thereof;  
FIG. 13 is a top plan view thereof;  
FIG. 14 is a bottom plan view thereof;  
FIG. 15 is a front, top left-side perspective view thereof;  
FIG. 16 is a front, top left-side perspective view thereof; and,  
FIG. 17 is a front, top left-side perspective view thereof. Broken lines in the drawings are for the purpose of illustrating environmental structure and form no part of the claimed design.

**1 Claim, 13 Drawing Sheets**



- (58) **Field of Classification Search**  
 CPC . 5/148; F41B 5/1465; F42B 6/04; F42B 6/08;  
 F42B 6/02; F42B 6/06; F42B 12/362;  
 F41C 23/16; F41C 27/00; F41C 7/00;  
 F41G 11/003; F41G 11/001; F41G  
 11/004; F41G 11/005; A63H 5/04  
 See application file for complete search history.

(56) **References Cited**

U.S. PATENT DOCUMENTS

4,593,601	A	6/1986	Smith	
5,099,595	A	3/1992	Chesnut et al.	
D359,098	S *	6/1995	Stevens	D22/104
D430,916	S *	9/2000	Bubits	D22/100
6,401,379	B1	6/2002	Moon	
6,568,115	B2	5/2003	Beretta	
D479,570	S *	9/2003	Scheunert	D22/104
D593,629	S *	6/2009	Bantle	D22/104
D597,625	S *	8/2009	Pflaumer	D22/104
D598,065	S *	8/2009	Vukovic	D22/104
D627,028	S *	11/2010	Coulombier	D22/104
D654,978	S *	2/2012	Karanian	D22/104
D681,131	S *	4/2013	Su	D21/574
8,448,364	B2	5/2013	Davidson	
D688,764	S *	8/2013	Yigit	D22/104
D690,374	S *	9/2013	Lee	D21/574
D692,513	S *	10/2013	Yigit	D22/104
9,021,730	B2 *	5/2015	Gentilini	F41A 3/12 42/16
D744,049	S *	11/2015	Chu	D21/574
9,194,654	B1	11/2015	Viani	
D754,802	S *	4/2016	Martelli	D21/574
9,303,936	B2	4/2016	Toner	
9,322,610	B2 *	4/2016	Zajk	F41C 23/16
D755,324	S *	5/2016	Martelli	D22/104

D755,907	S *	5/2016	Hu	D21/574
D758,519	S *	6/2016	Toner	D22/108
9,441,897	B2	9/2016	Mather et al.	
9,546,831	B2 *	1/2017	Bandini	F41A 3/44
9,551,550	B2 *	1/2017	Wells	F41C 27/00
9,664,471	B1 *	5/2017	Curry	F41A 19/30
D791,262	S *	7/2017	Brown	D22/104
D803,341	S *	11/2017	Wolf	D22/108
D808,487	S *	1/2018	Beville	D22/104
D814,593	S *	4/2018	O'Clair	D22/104
D814,596	S *	4/2018	Curry	D22/108
D815,233	S *	4/2018	Toner	D22/104
D823,969	S *	7/2018	Beville	D22/104
10,024,629	B2 *	7/2018	Sheets, Jr.	F41G 1/35
D828,881	S *	9/2018	Lee	D21/574
D828,892	S *	9/2018	Kellgren	D22/104
D830,480	S *	10/2018	Chu	D21/574
10,088,269	B2 *	10/2018	Sheets, Jr.	F41C 23/10
D834,656	S *	11/2018	Chu	D21/574
10,119,777	B2 *	11/2018	Wolf	F41A 19/15
2001/0037596	A1	11/2001	Salvitti	
2008/0034955	A1 *	2/2008	McGarry	F41A 3/86 89/196
2009/0071053	A1 *	3/2009	Thomele	F41A 11/02 42/1.01
2017/0146309	A1	5/2017	Biran	
2017/0184359	A1	6/2017	Porat	

OTHER PUBLICATIONS

Ruger American Pistol Pro Model Parts List, pp. 34-37 (2016).  
 "Instruction Manual for Ruger American Pistol Pro Model", Sturm, Ruger & Co., Inc., (2016).  
 "Instruction Manual for Ruger American Pistol, Standard Model", Sturm, Ruger & Co., Inc., (2016).

\* cited by examiner



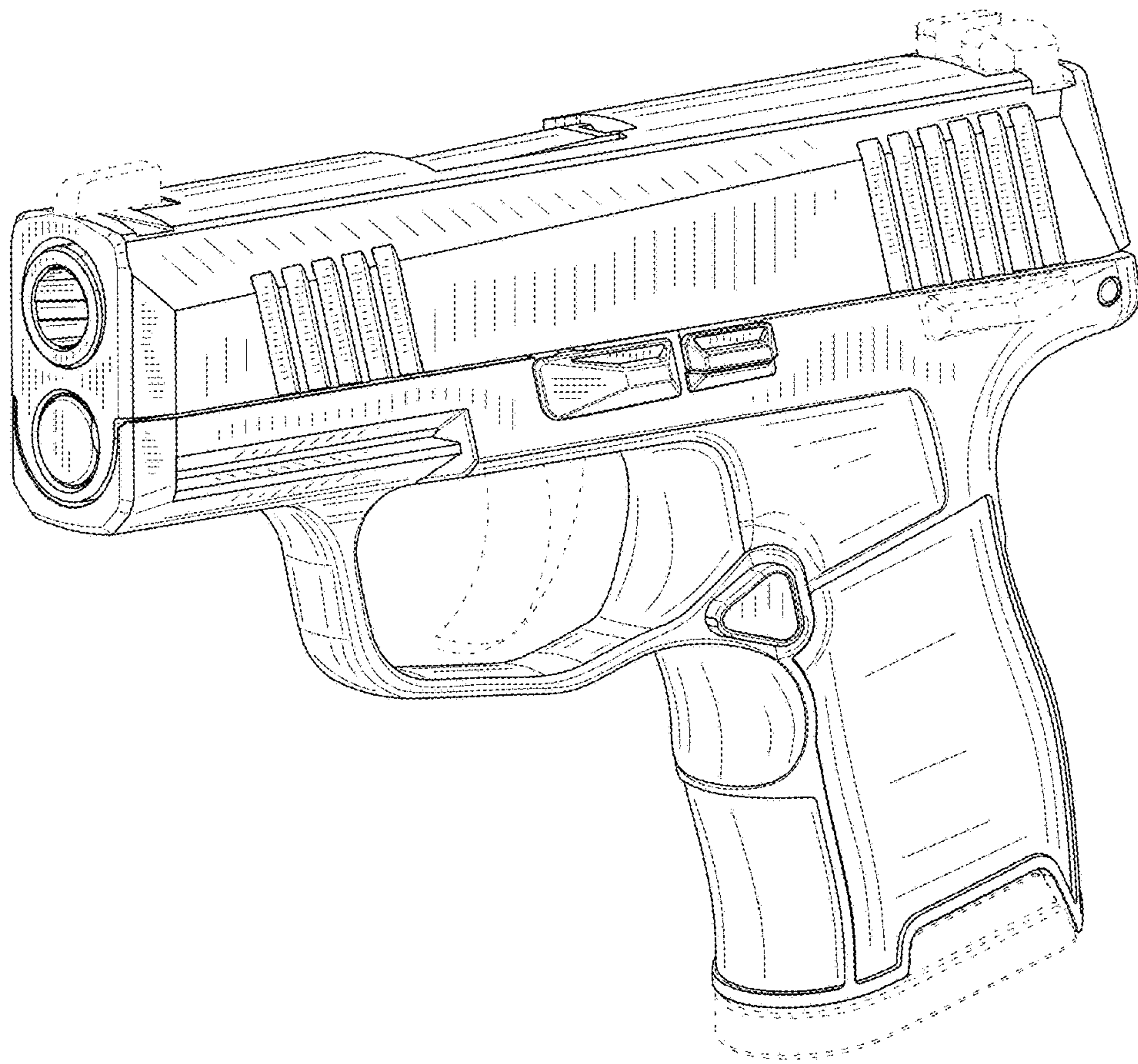


FIG. 1

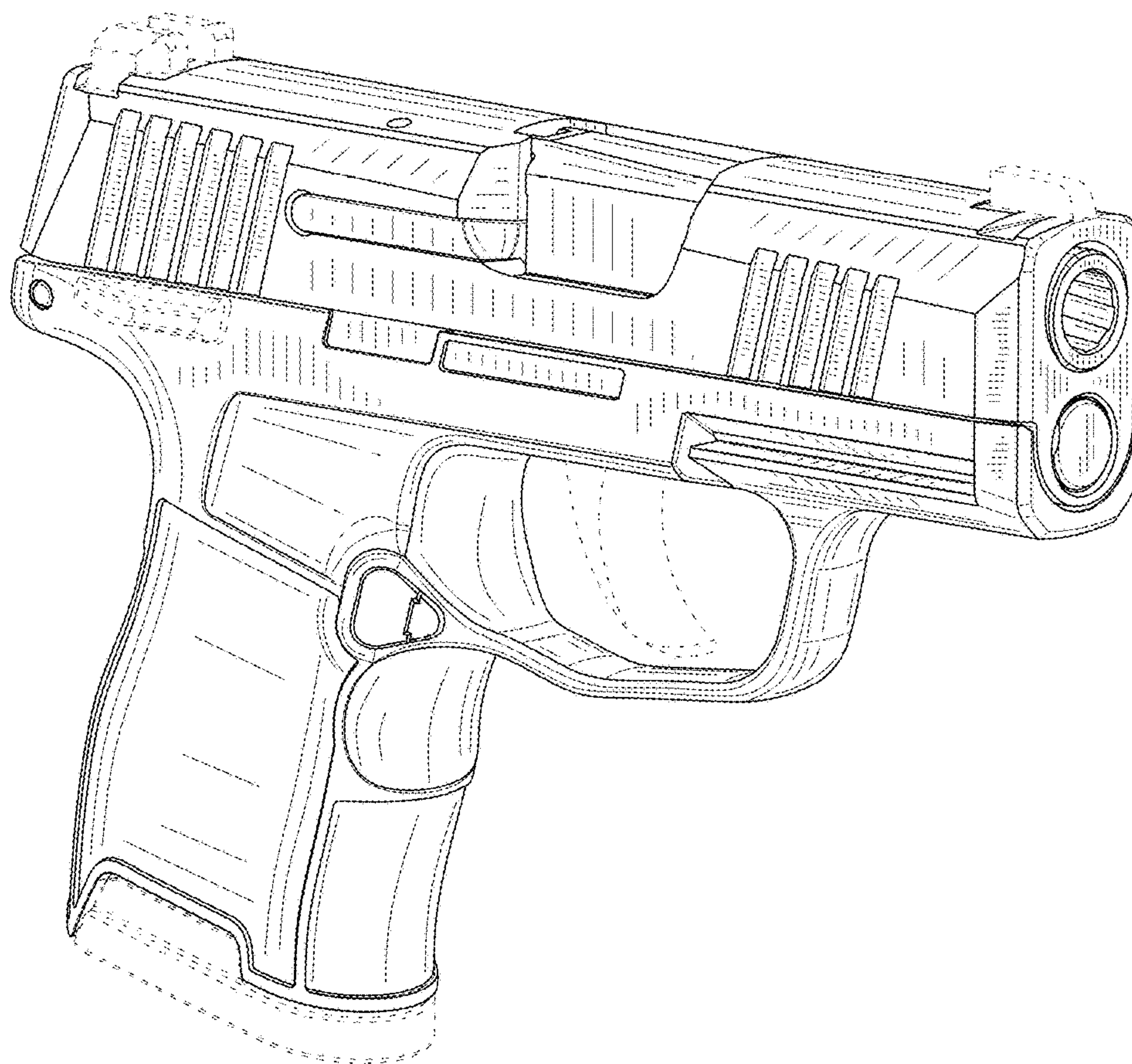


FIG. 2

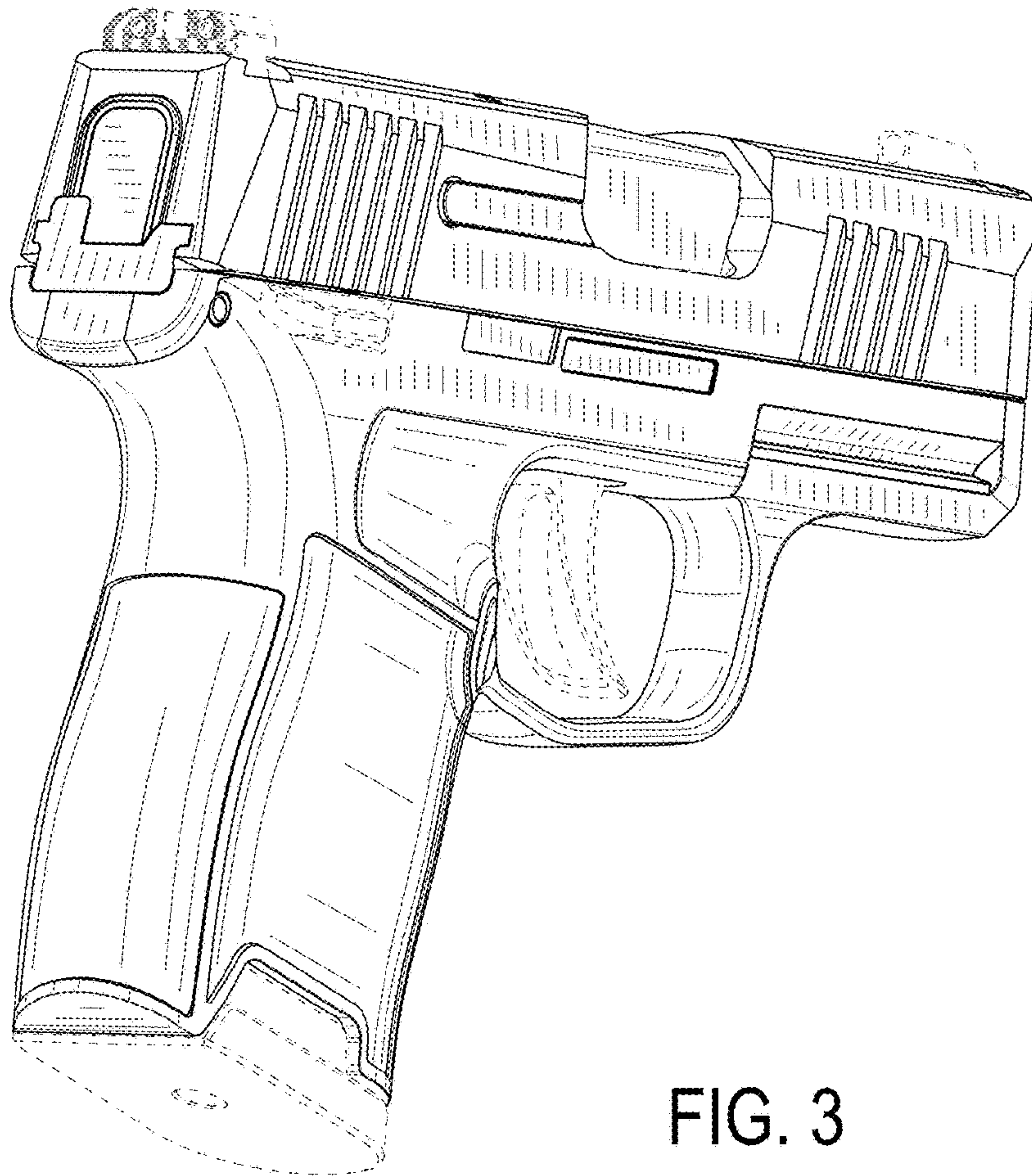


FIG. 3



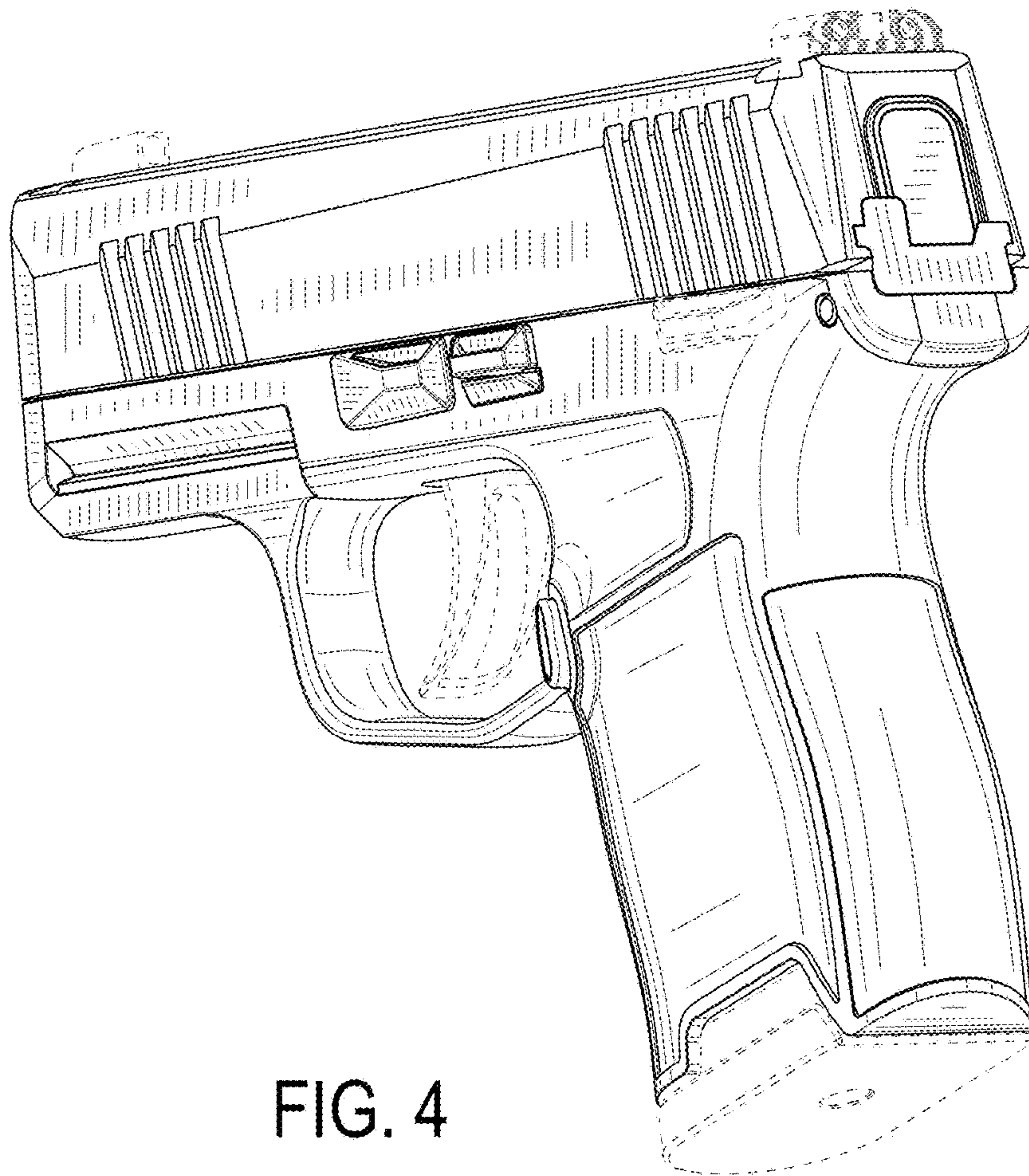


FIG. 4

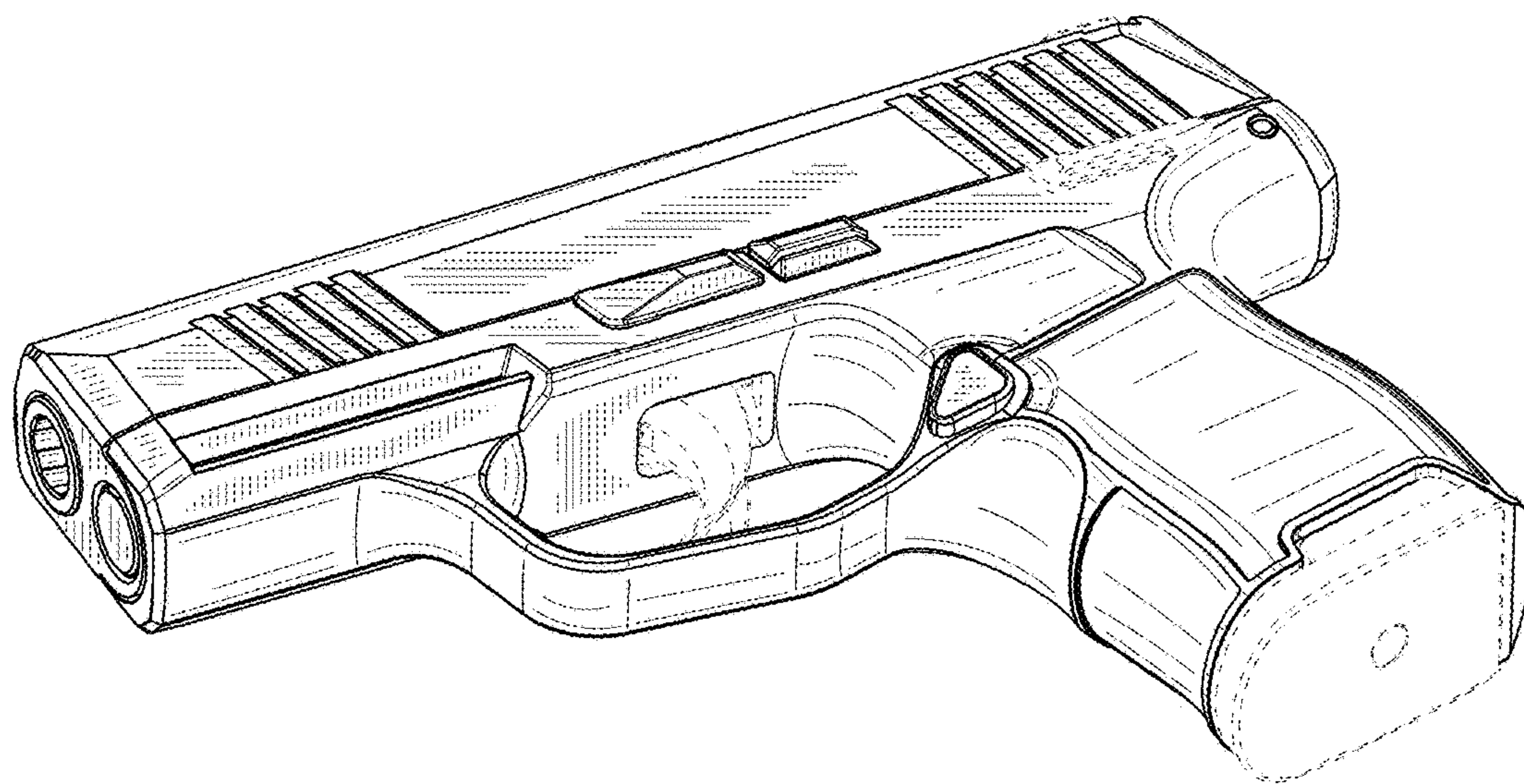


FIG. 5

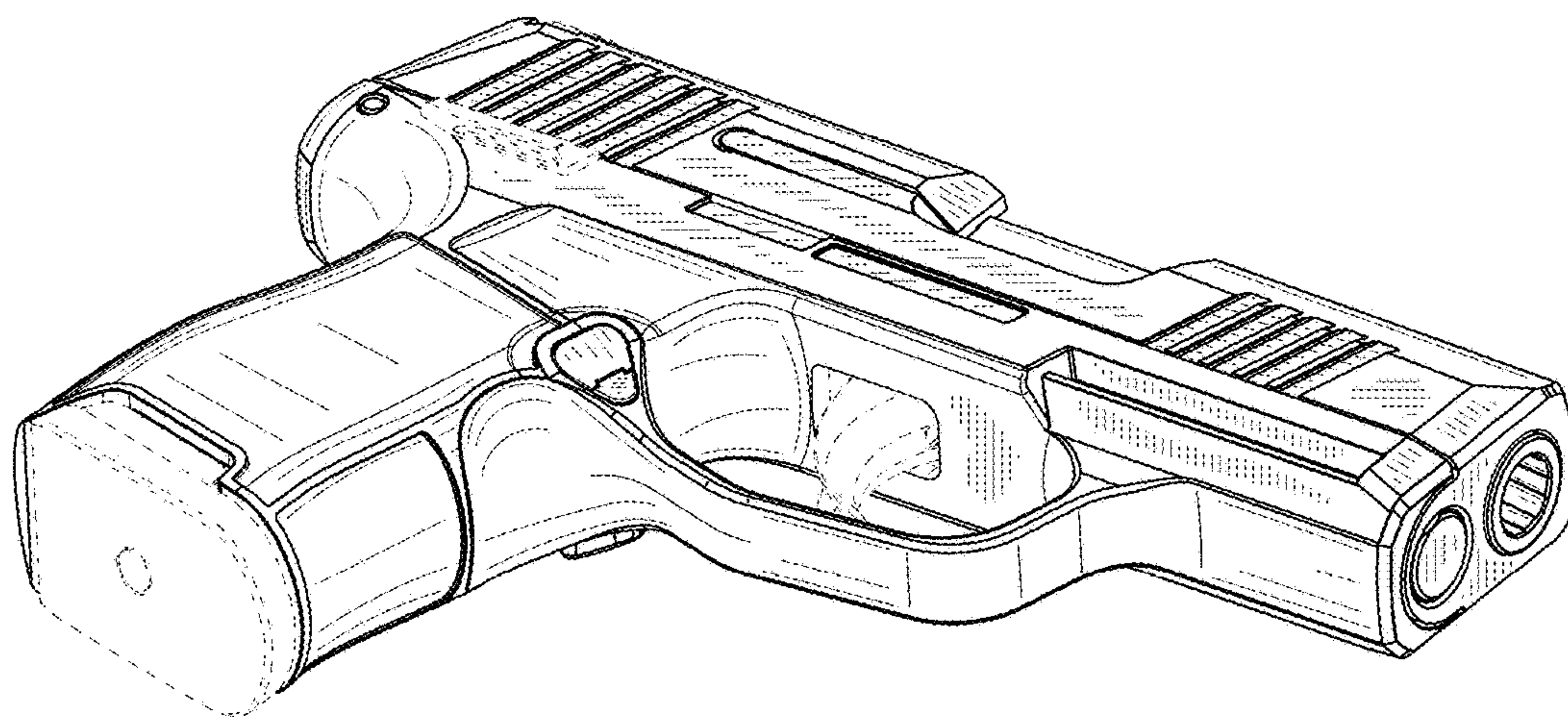


FIG. 6



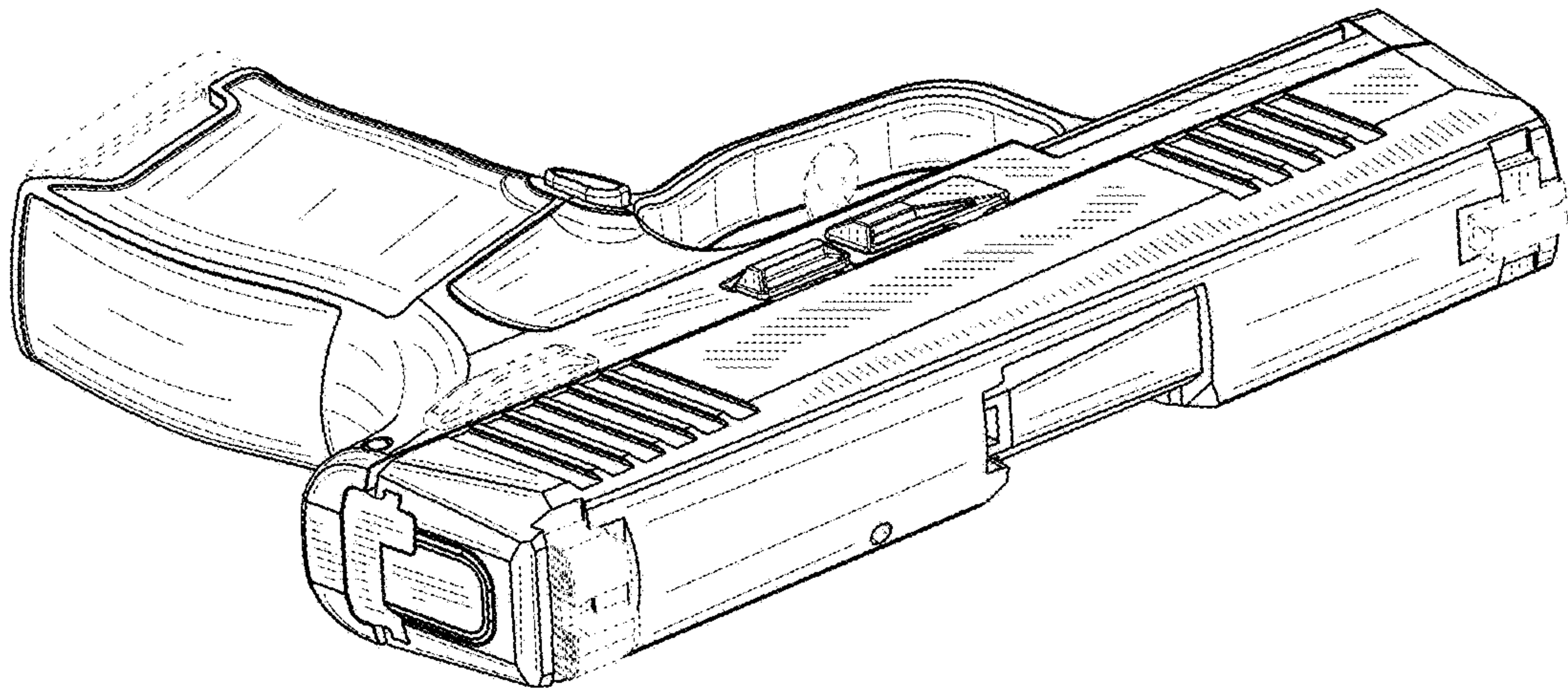


FIG. 7

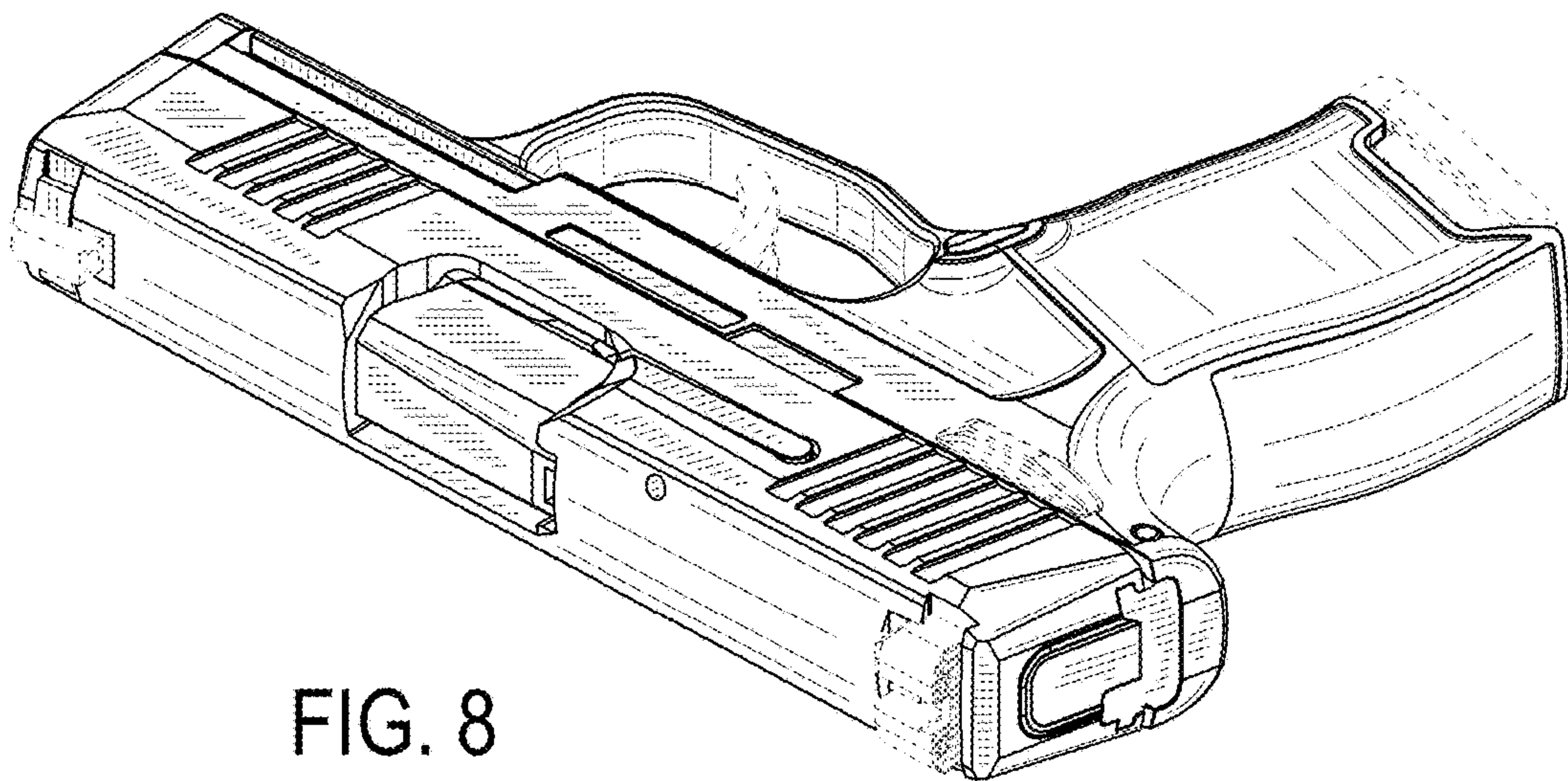


FIG. 8



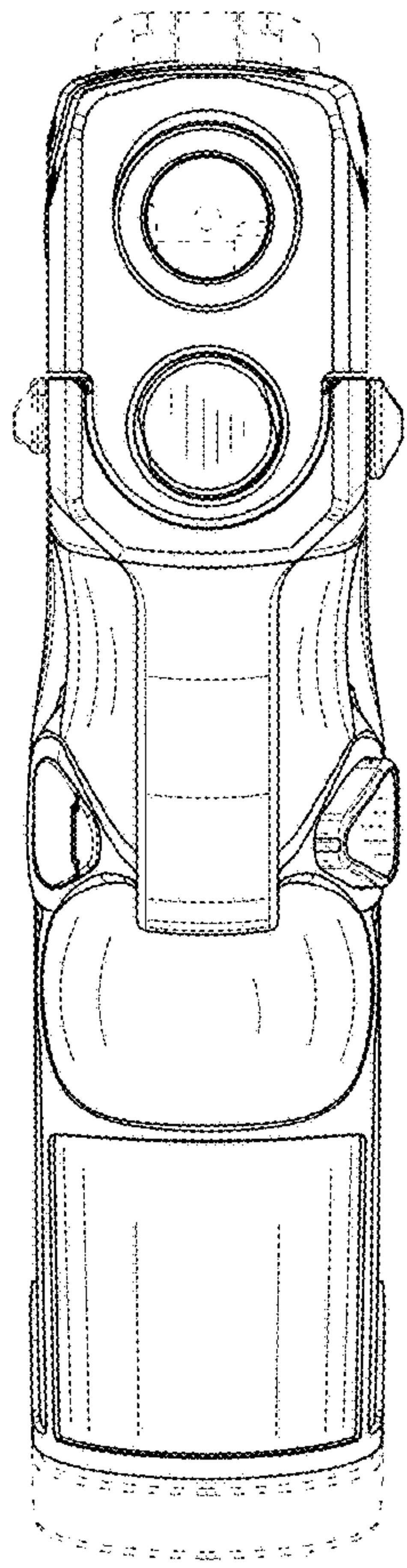


FIG. 9

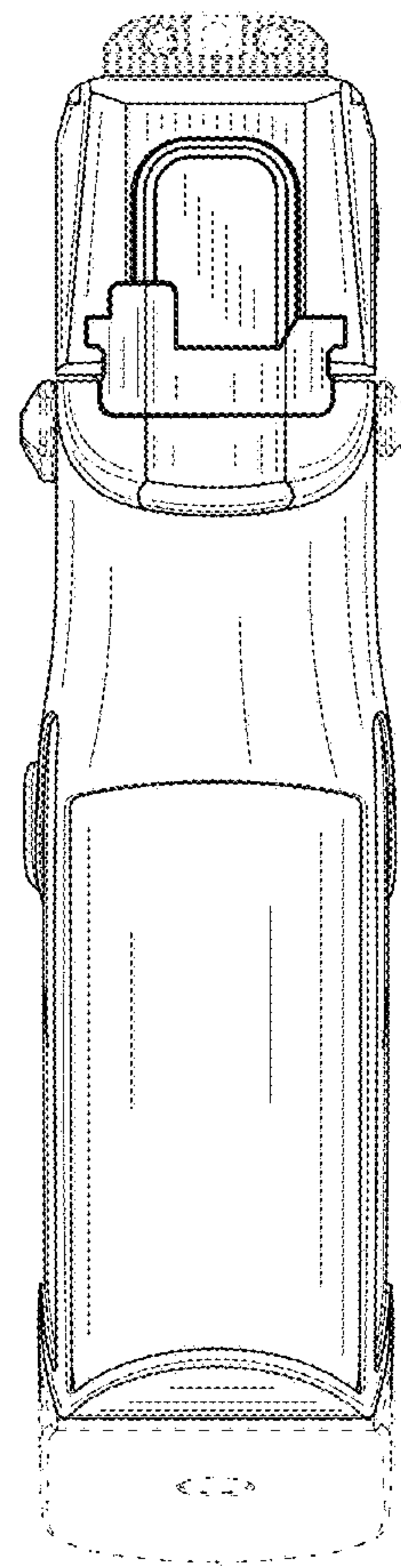


FIG. 10

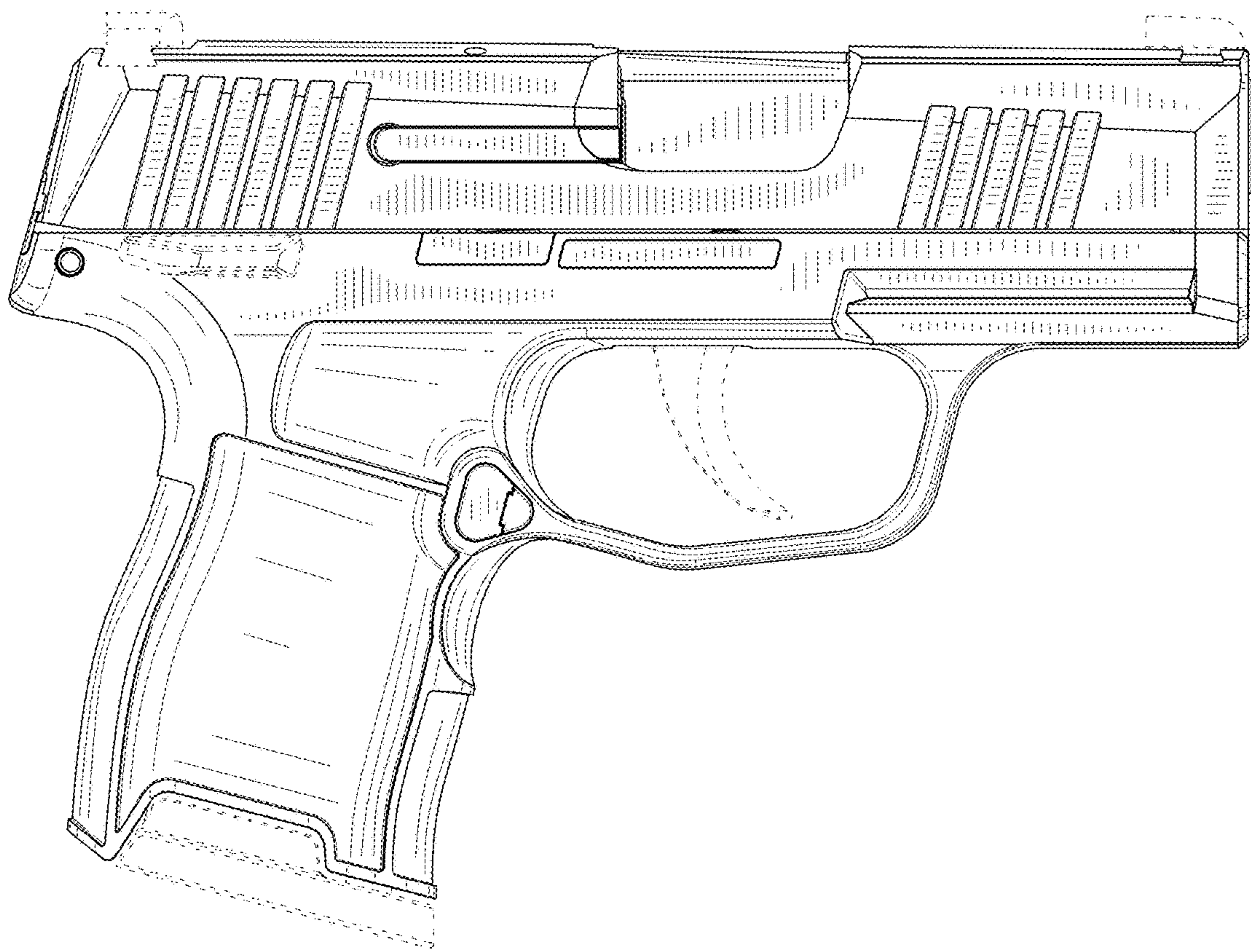


FIG. 11

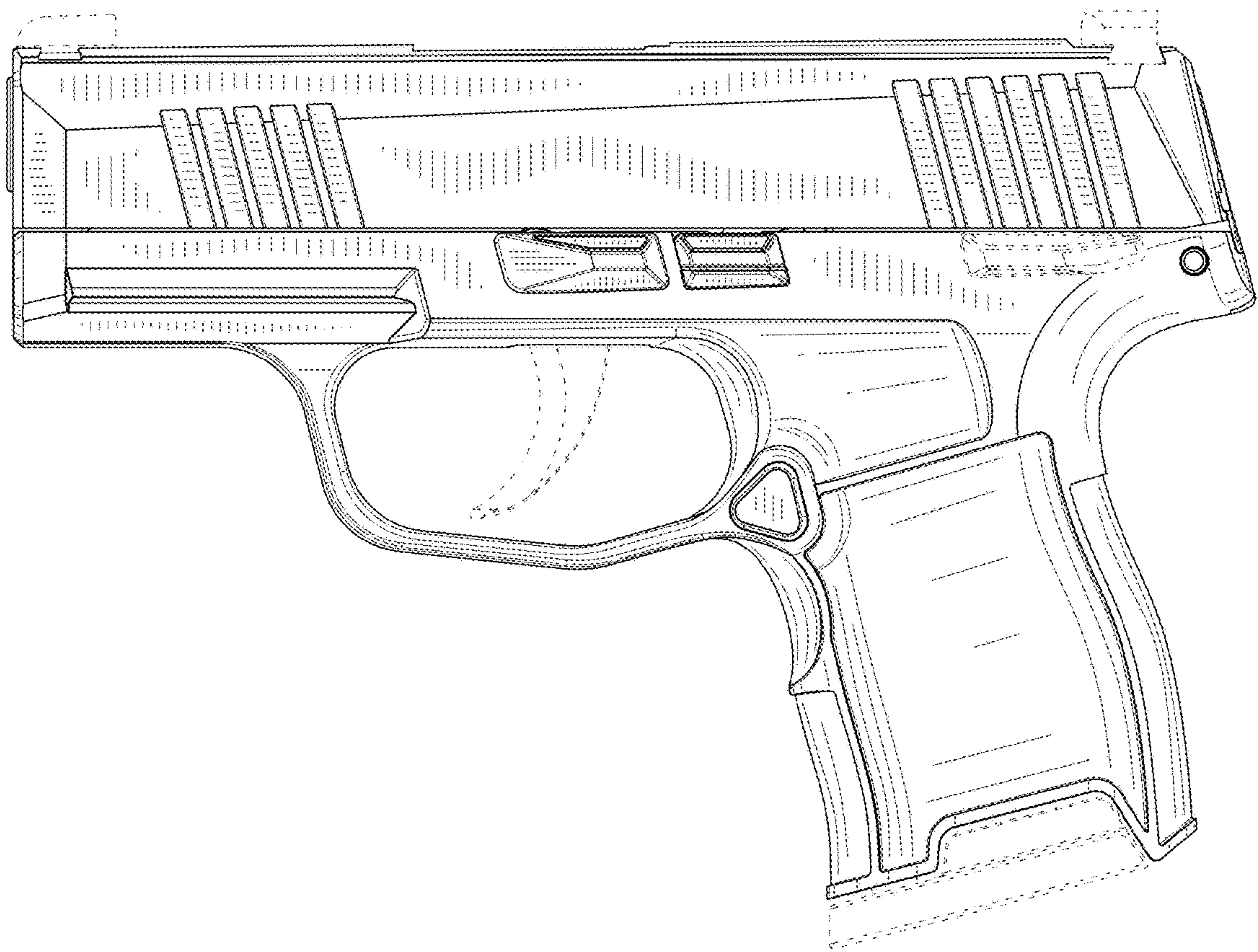


FIG. 12



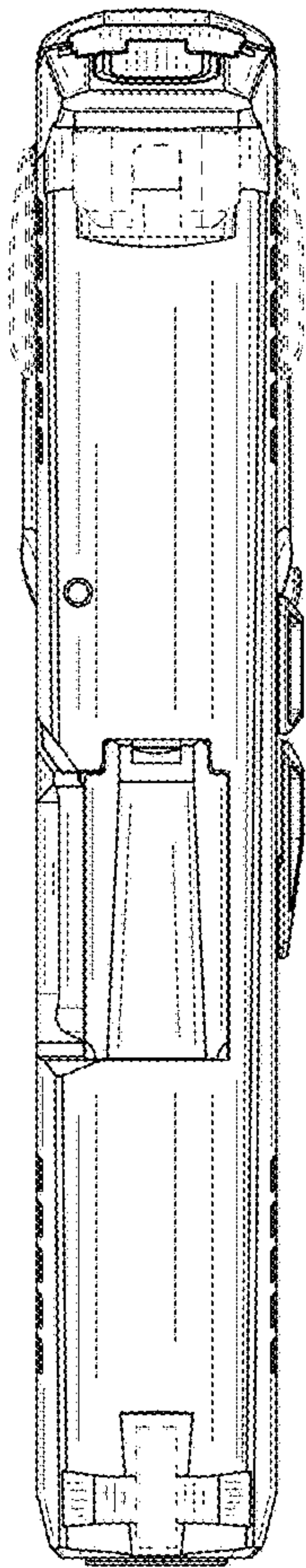


FIG. 13

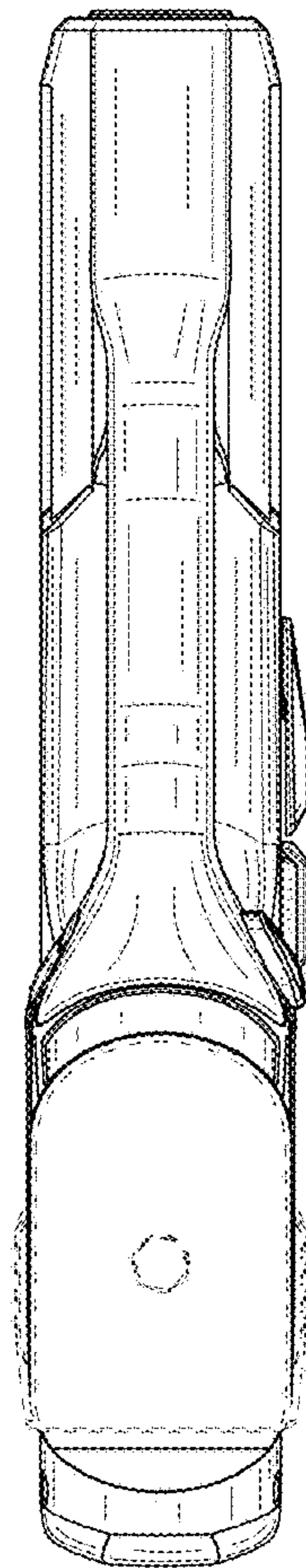


FIG. 14

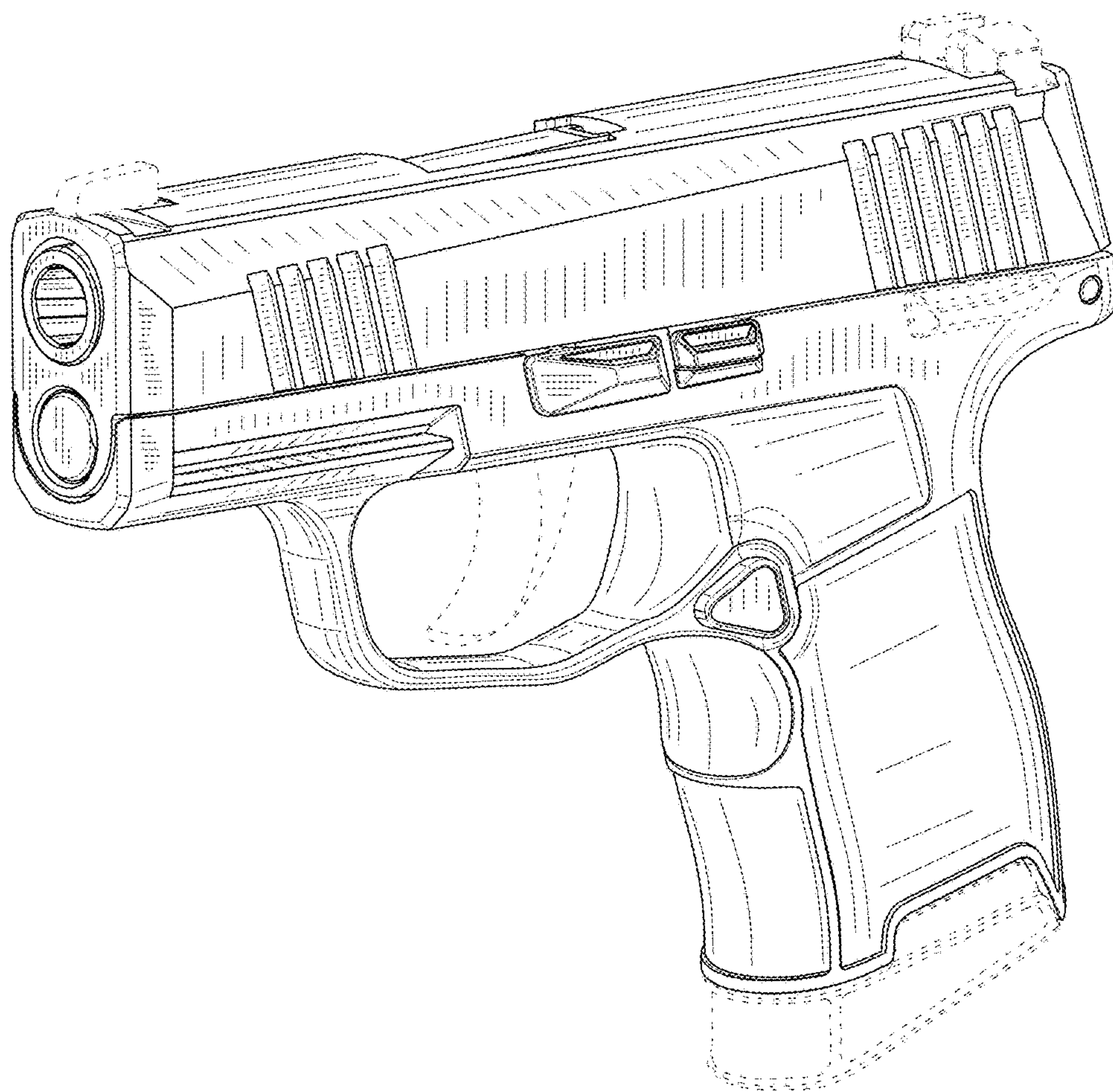


FIG. 15

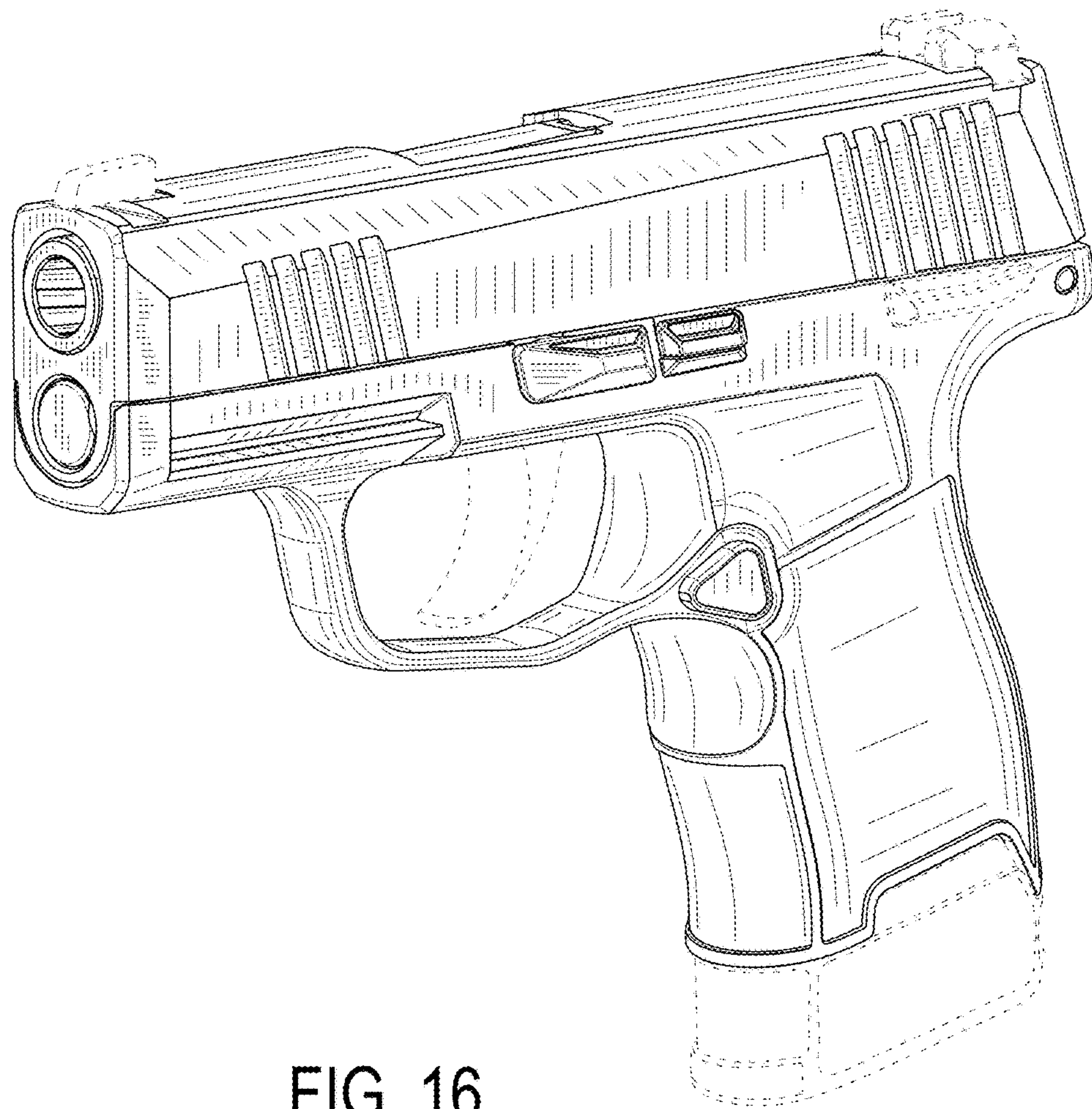


FIG. 16



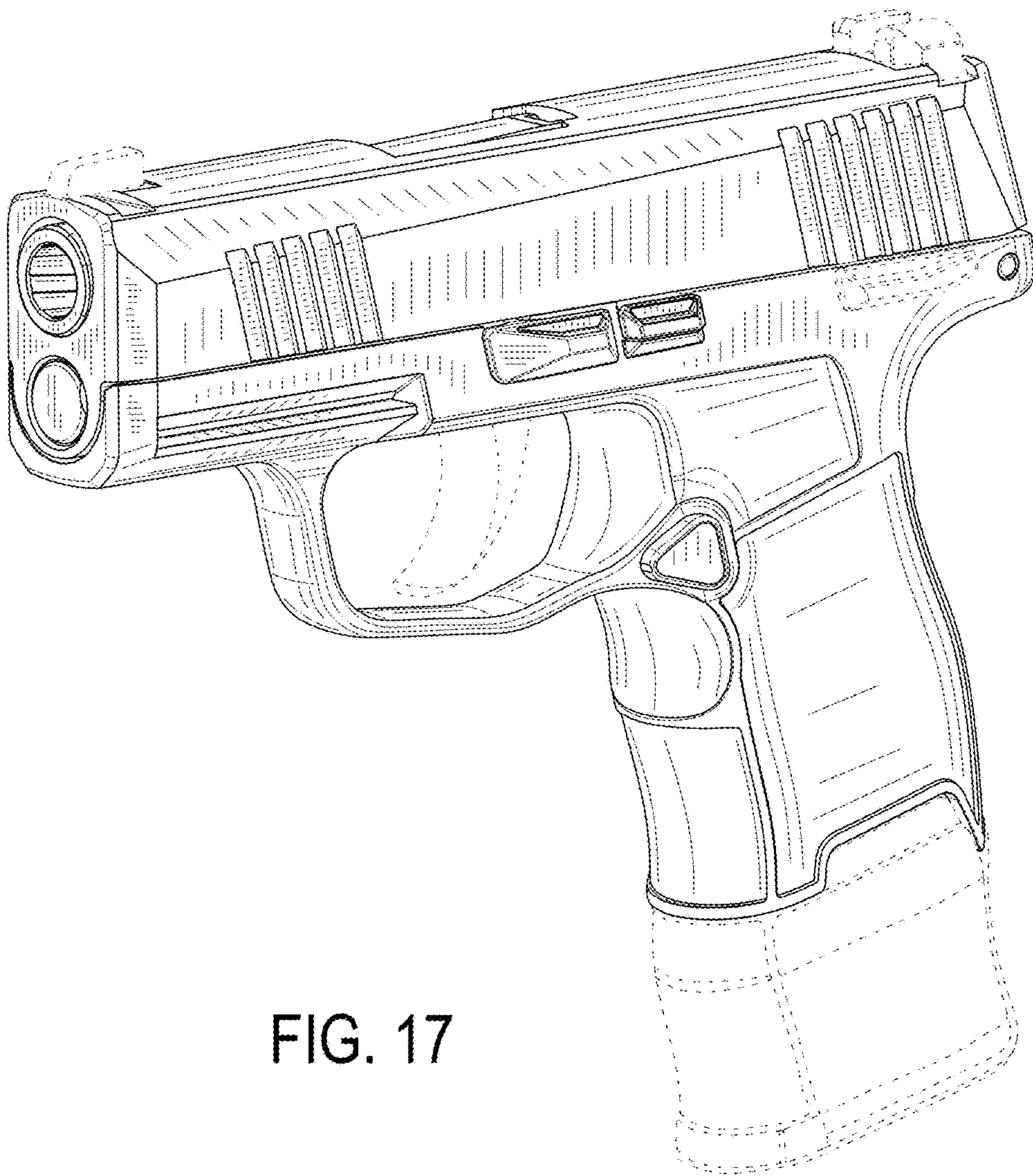


FIG. 17