



US00D854638S

(12) **United States Design Patent** (10) **Patent No.:** **US D854,638 S**
Sandoval (45) **Date of Patent:** **** Jul. 23, 2019**

(54) **EXERCISE CYCLE WEIGHT HOLDER**

- (71) Applicant: **Custom Indoor Cycles, LLC**, Santa Ana, CA (US)
- (72) Inventor: **Andrew Sandoval**, Santa Ana, CA (US)
- (73) Assignee: **Custom Indoor Cycles, LLC**, Santa Ana, CA (US)
- (**) Term: **15 Years**
- (21) Appl. No.: **29/666,952**
- (22) Filed: **Oct. 17, 2018**

Related U.S. Application Data

- (62) Division of application No. 29/626,357, filed on Nov. 16, 2017.
- (51) **LOC (11) Cl.** **21-02**
- (52) **U.S. Cl.**
USPC **D21/697**
- (58) **Field of Classification Search**
USPC 211/71.01, 74, 85.31; 248/214; D3/201, D3/316, 318; D6/566; D7/400, 601, D7/602, 620, 622, 708.1; D12/114, 223, D12/406, 411; D21/686, 694
CPC A63B 21/078; A63B 21/16; A01K 97/10
See application file for complete search history.

(56) **References Cited**

U.S. PATENT DOCUMENTS

- D262,678 S * 1/1982 DeBoer D6/566
- D264,954 S * 6/1982 Blackburn B62J 11/00
D12/411
- D283,185 S * 4/1986 Frazier D6/513
- D285,186 S * 8/1986 Sinyard D12/411
- D332,240 S * 1/1993 Schlanger D12/411

(Continued)

OTHER PUBLICATIONS

Customindoorcycles, "Stage Indoor Cycle Dual Water Bottle Holder", Dec. 24, 2018. <https://www.customindoorcycles.com/product/weight-racks/>. Shown on p. 1. (Year: 2018).*
(Continued)

Primary Examiner — Cynthia Ramirez
Assistant Examiner — Michael A Maharajh
(74) *Attorney, Agent, or Firm* — Stetina Brunda Garred and Brucker

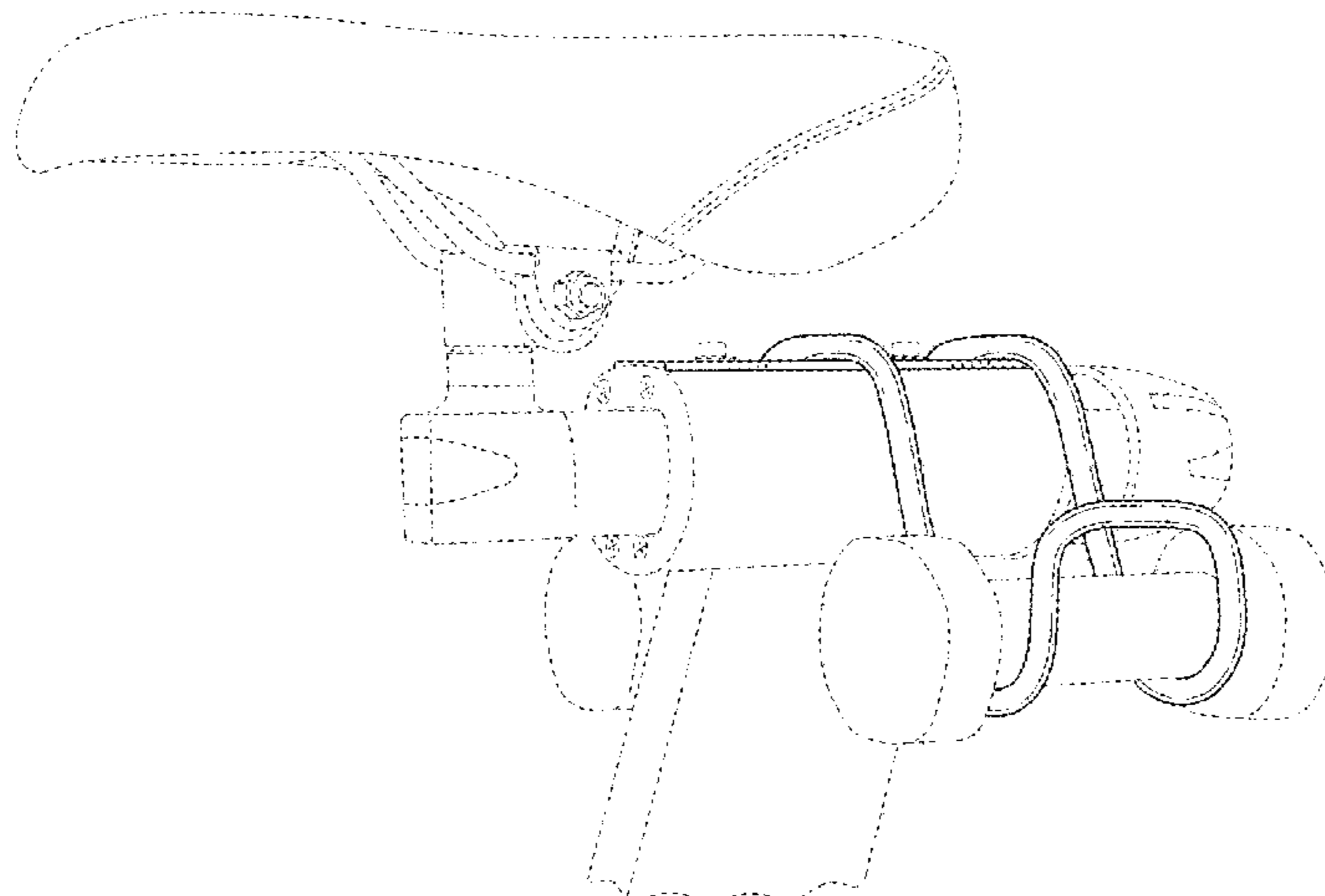
(57) **CLAIM**

The ornamental design for an exercise cycle weight holder, as shown and described.

DESCRIPTION

FIG. 1 is a partial perspective view of a first embodiment of the exercise cycle weight holder showing my new design; FIG. 2 is a front perspective view thereof; FIG. 3 is a top plan view thereof; FIG. 4 is a front elevational view thereof; FIG. 5 is a bottom plan view thereof; FIG. 6 is a rear elevational view thereof; FIG. 7 is a right side view thereof; FIG. 8 is a left side view thereof; FIG. 9 is a front perspective view of a second embodiment of the exercise cycle weight holder showing my new design; FIG. 10 is a top plan view thereof; FIG. 11 is a front elevational view thereof; FIG. 12 is a bottom plan view thereof; FIG. 13 is a rear elevational view thereof; FIG. 14 is a right side view thereof; and, FIG. 15 is a left side view thereof.
The broken lines shown in FIG. 1 are for the purpose of illustrating environmental structure which form no part of the claimed design.

1 Claim, 6 Drawing Sheets



(56)

References Cited

U.S. PATENT DOCUMENTS

5,190,257 A 3/1993 Gradei
 D348,165 S * 6/1994 Walaski D6/566
 5,392,971 A 2/1995 Hsu
 D361,924 S 9/1995 Becker
 D379,794 S * 6/1997 Whitsel D12/411
 D391,222 S * 2/1998 Lenox D12/411
 D392,081 S * 3/1998 Salvucci, Sr. D3/316
 D402,161 S 12/1998 Fischer, Jr.
 D414,007 S * 9/1999 Hernandez D3/316
 D492,161 S 6/2004 Kaller
 D505,328 S 5/2005 Chou
 D529,859 S * 10/2006 Irvine D12/411
 D530,261 S * 10/2006 Irvine D12/411
 D532,259 S * 11/2006 Goodman D7/601
 D539,102 S * 3/2007 Goodman D7/601
 D546,129 S * 7/2007 Sergianni D7/601
 D593,859 S 6/2009 Barnum
 D604,224 S * 11/2009 Carpenter D12/411
 D605,578 S 12/2009 Retief
 D607,115 S 12/2009 Bellamy-Noseworthy

7,886,917 B1 * 2/2011 Berger A47B 45/00
 211/85.31
 D640,624 S 6/2011 Valiquette
 D655,986 S 3/2012 Schneider
 D659,302 S 5/2012 Rose
 8,430,366 B2 4/2013 Tincher
 D684,104 S * 6/2013 Goldman D12/411
 D751,867 S 3/2016 Krumwiede
 D769,672 S 10/2016 Gallagher
 D775,058 S 12/2016 Overman
 D775,890 S 1/2017 Gallagher
 D778,635 S * 2/2017 Pan D6/566
 D817,027 S 5/2018 Manfre

OTHER PUBLICATIONS

Customindoorcycles, "Schwinn AC Performance Plus Compatible Rear Mount Hand Weight Holder", Oct. 3, 2018, <https://www.customindoorcycles.com/product/weight-racks/>. Shown on p. 1. (Year: 2018).

* cited by examiner

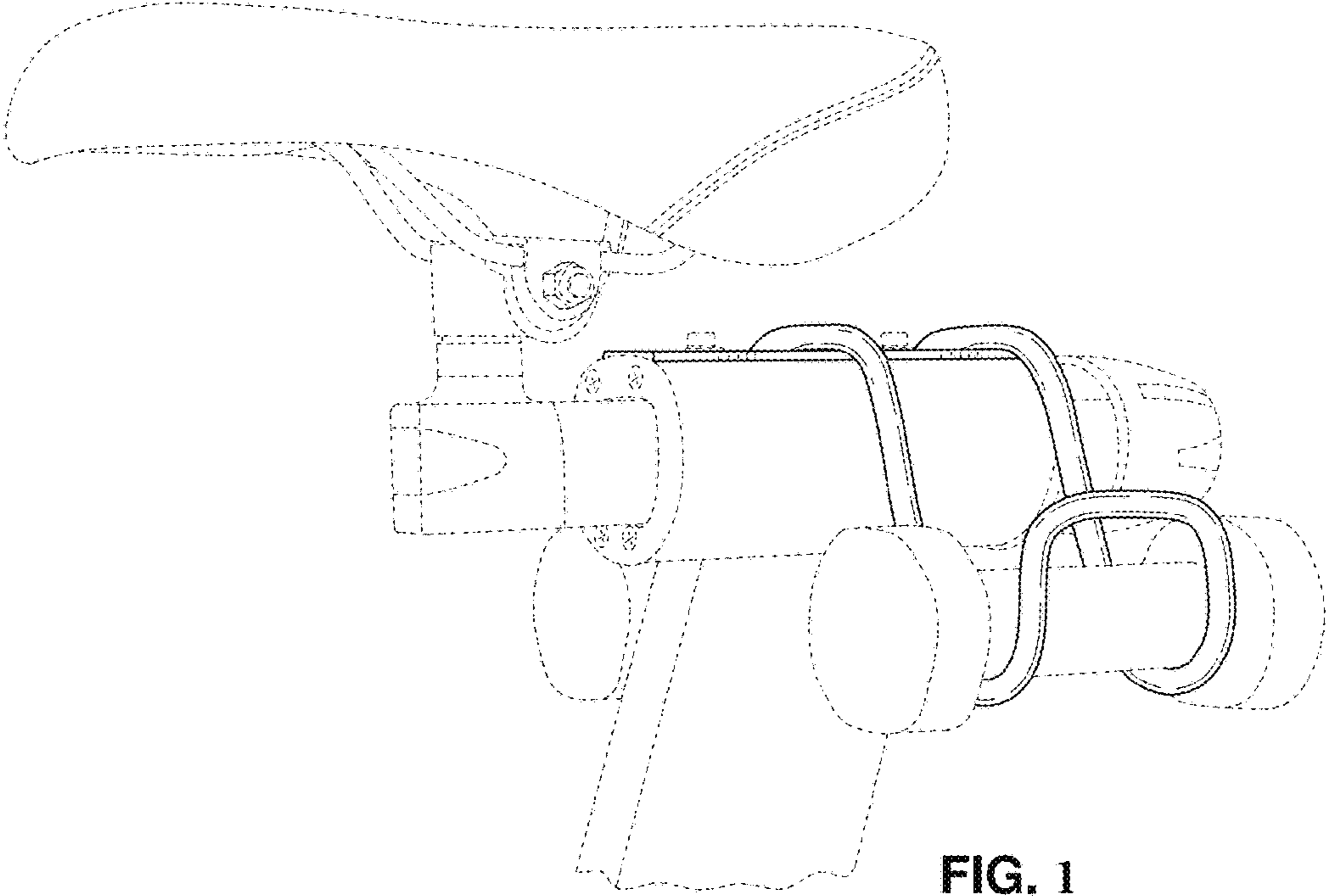


FIG. 1

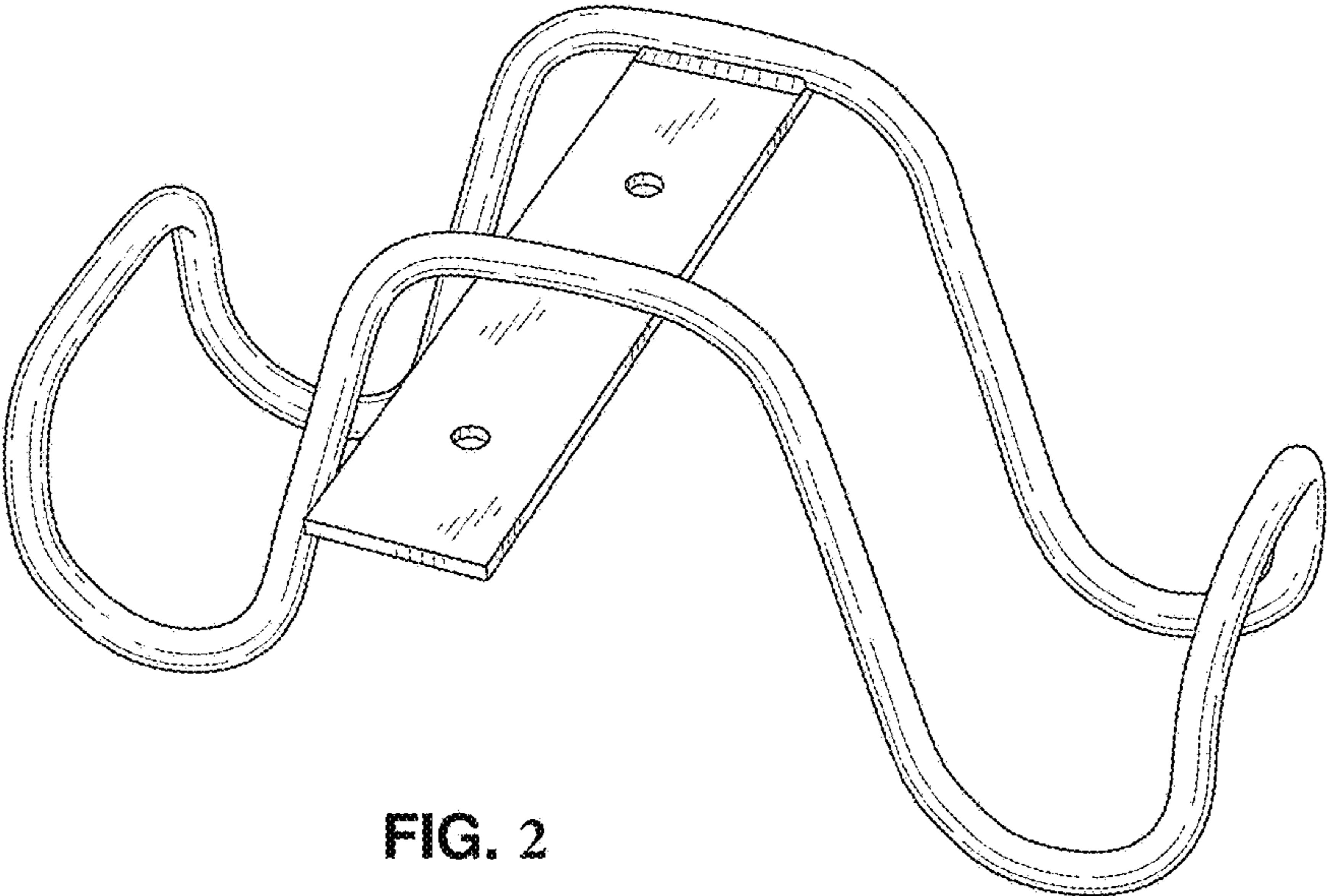
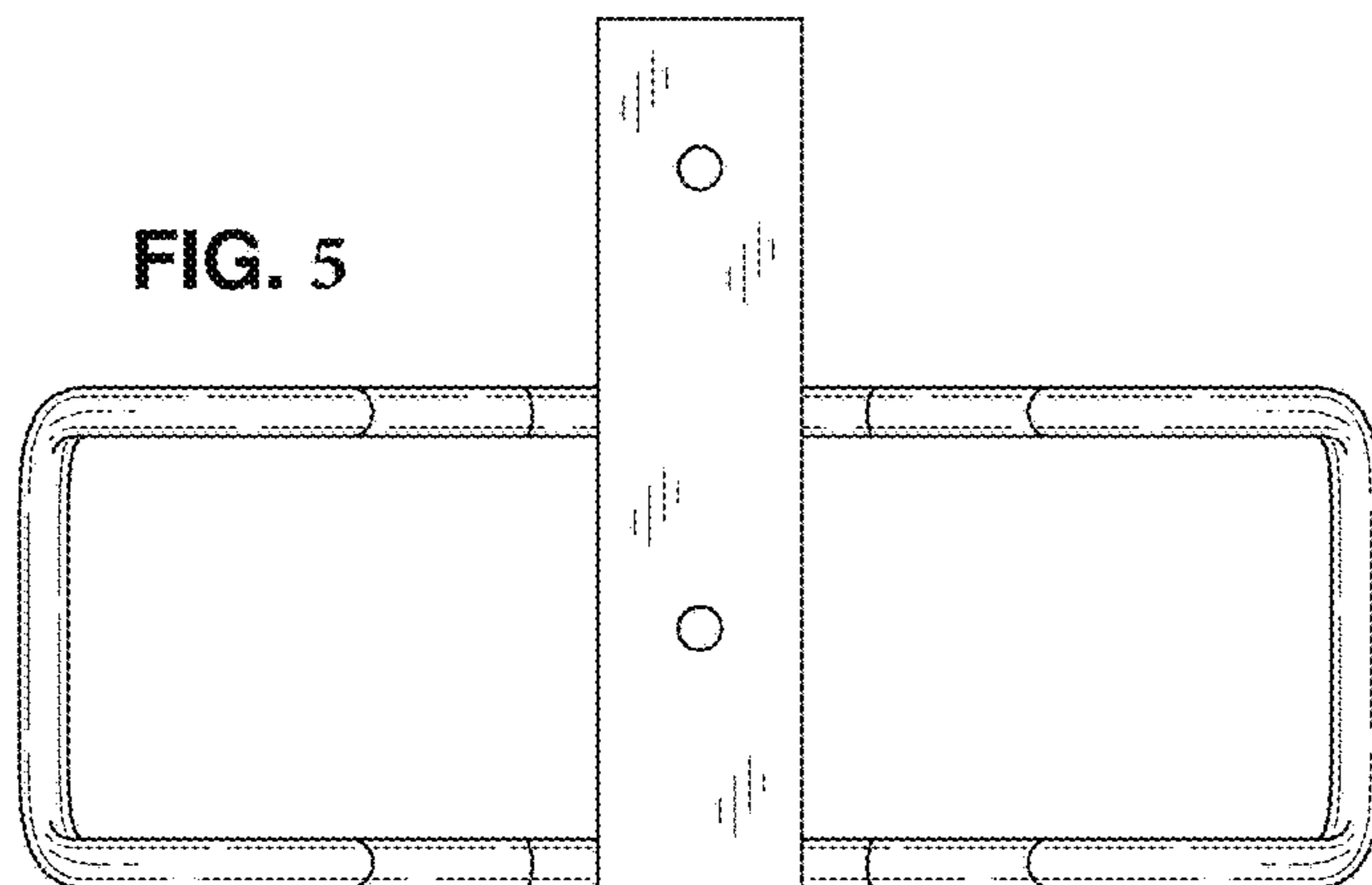
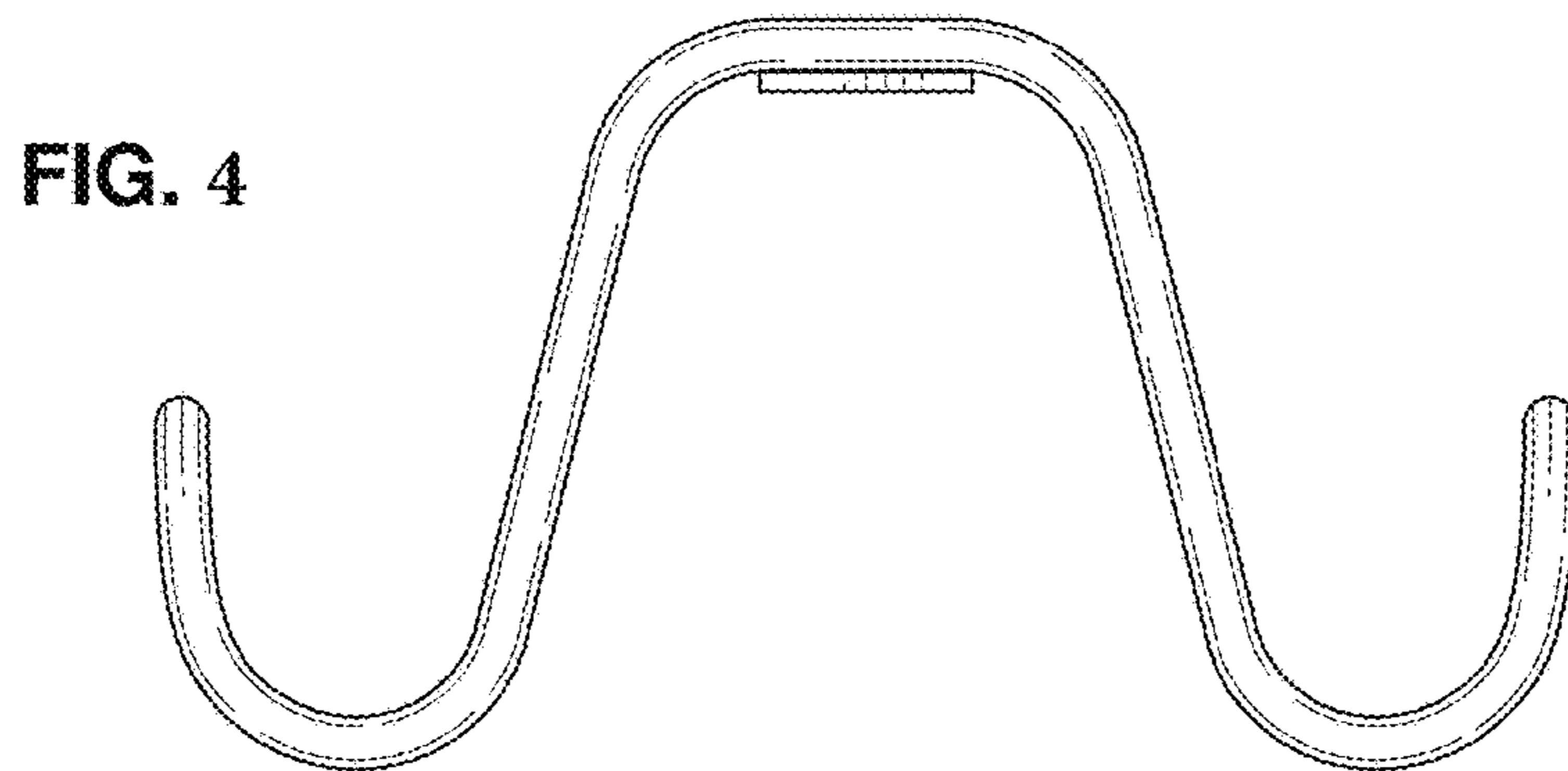
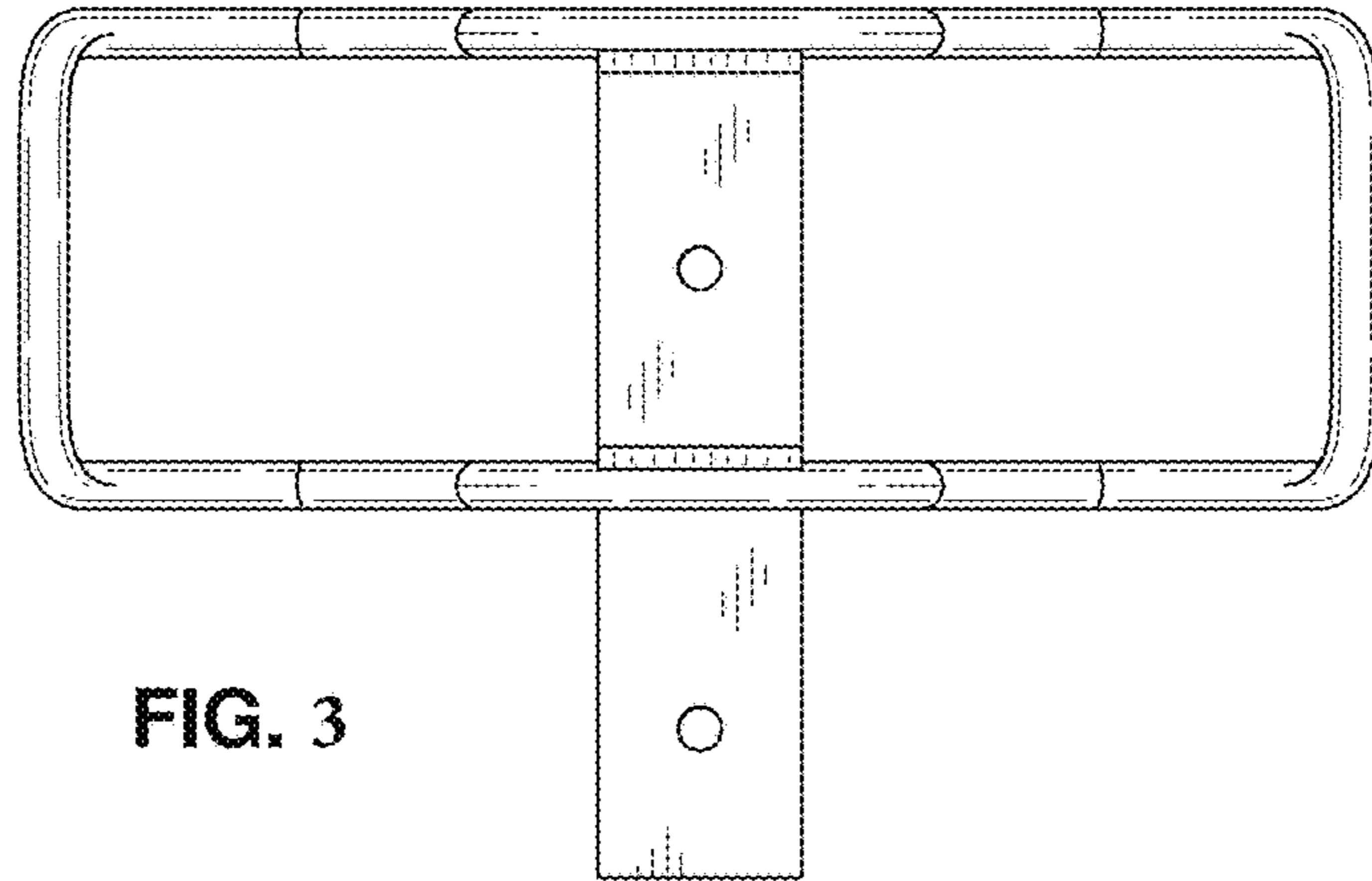


FIG. 2



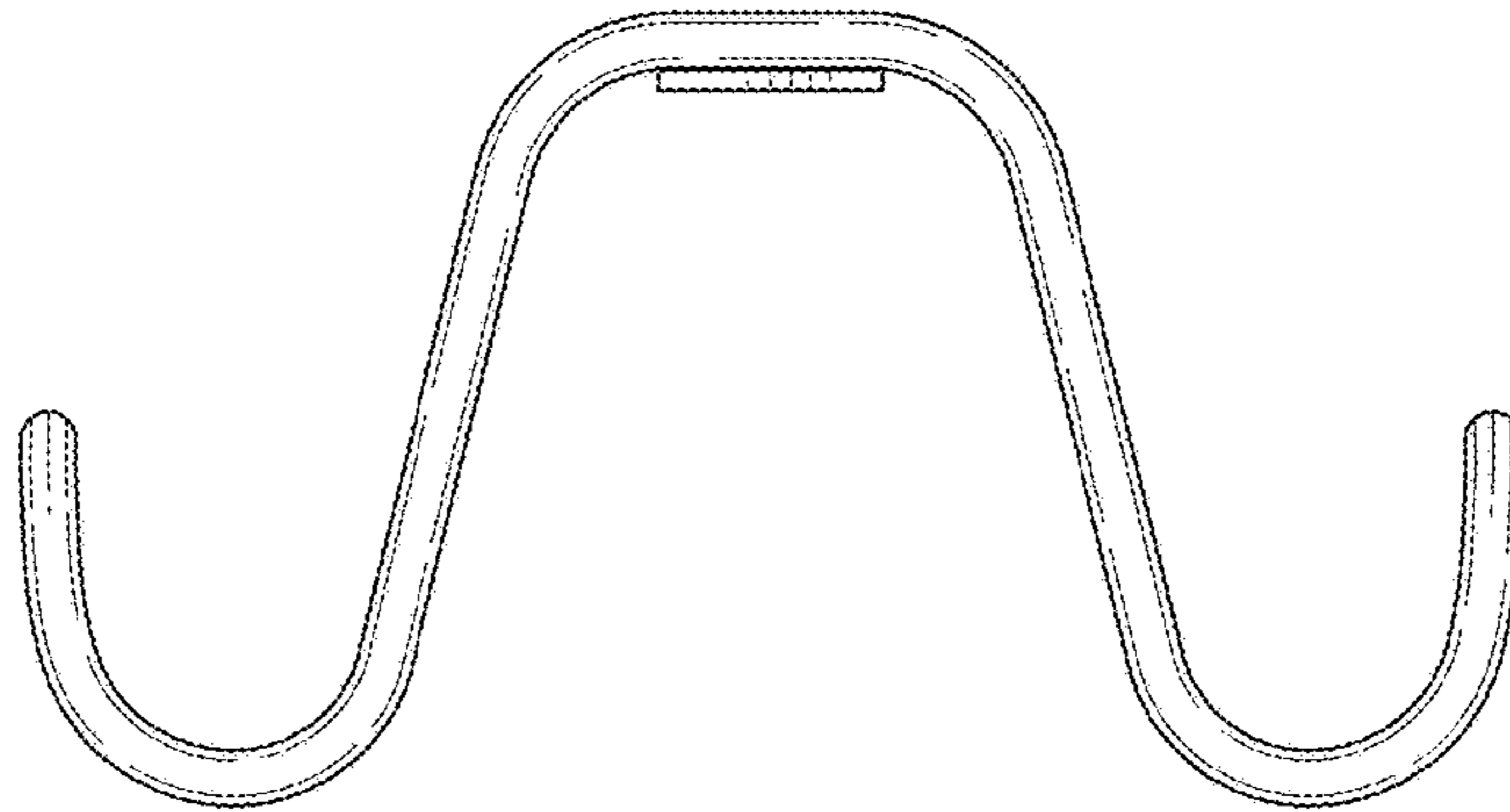


FIG. 6

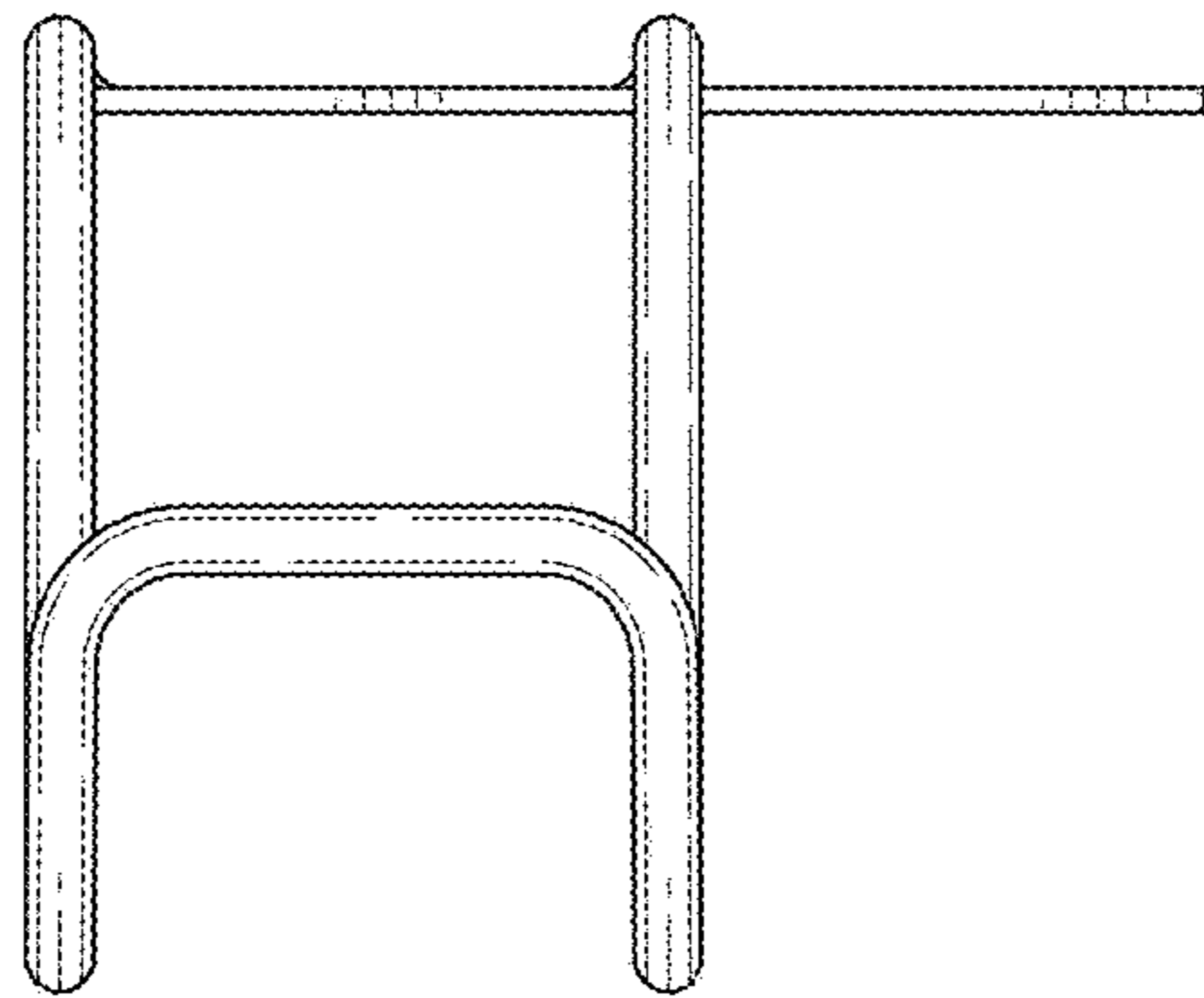


FIG. 7

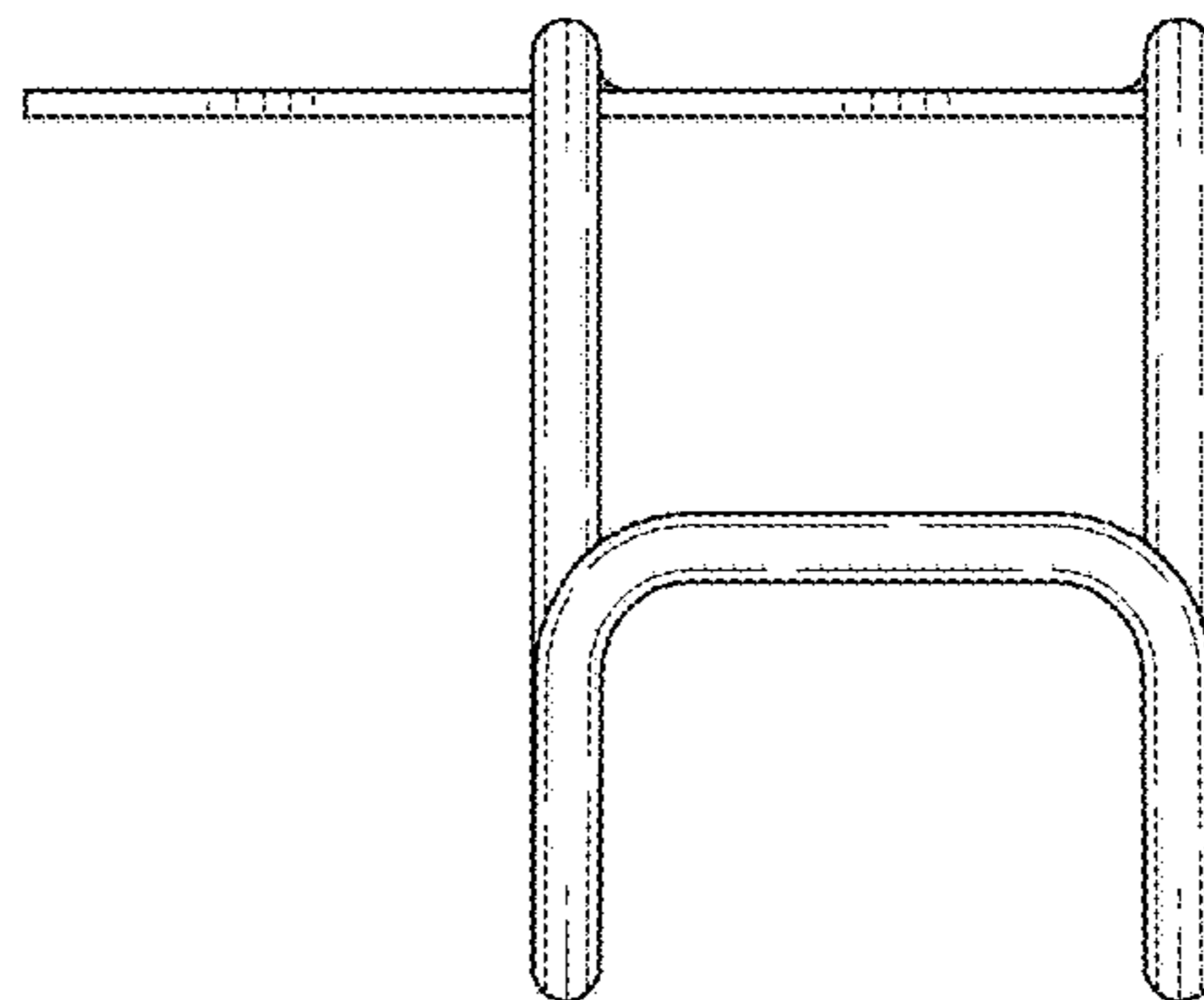


FIG. 8

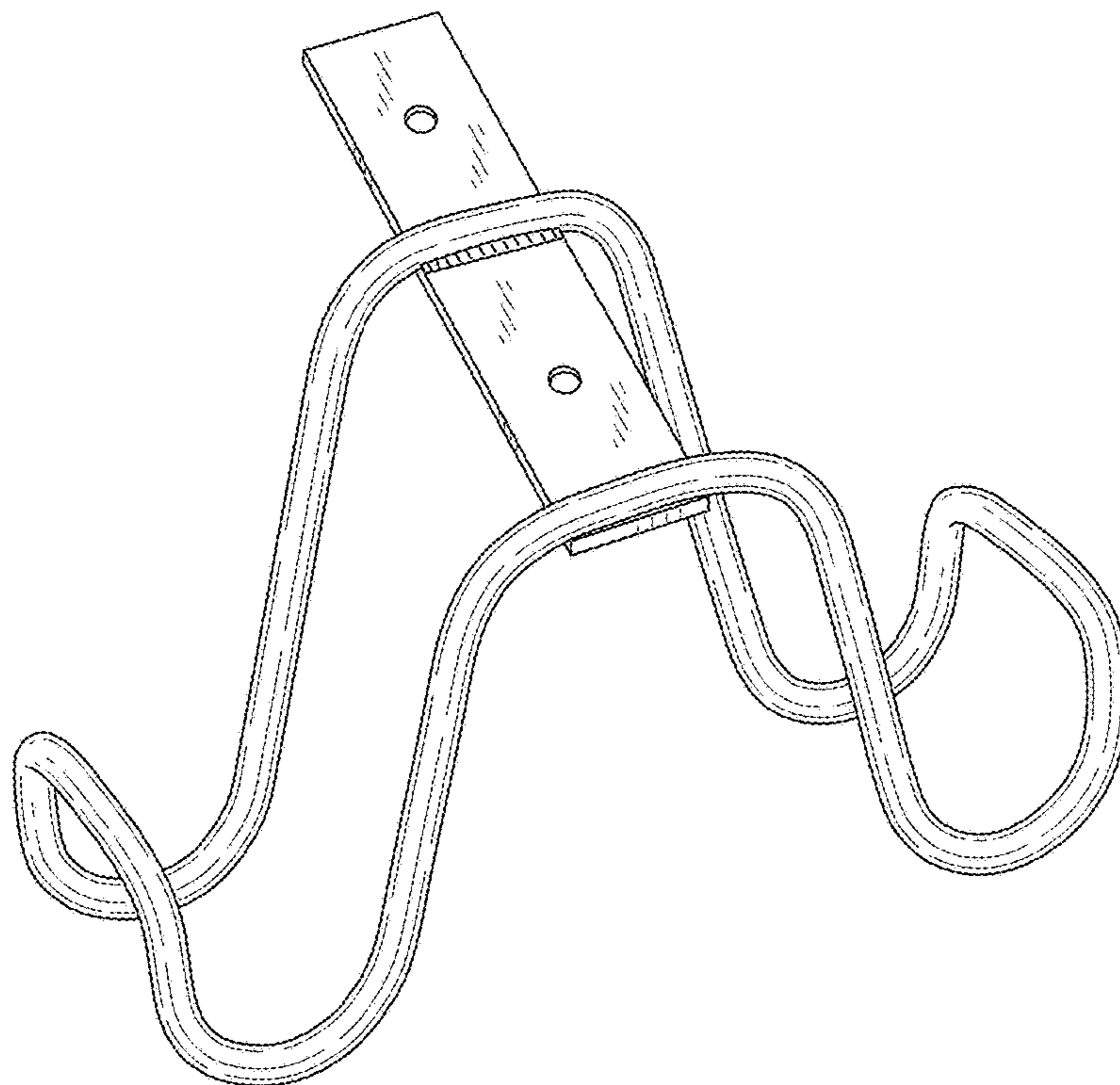


FIG. 9

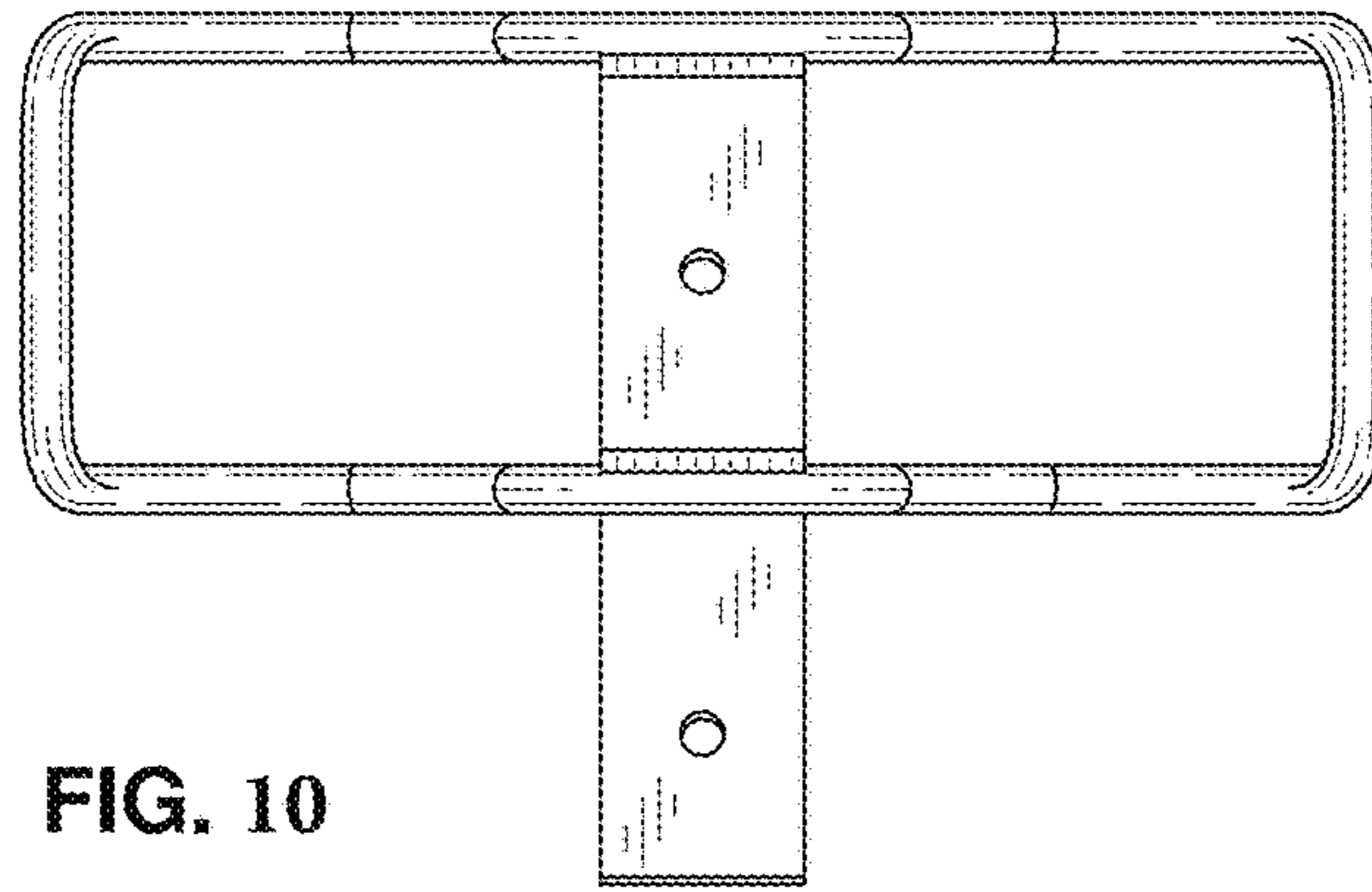


FIG. 10

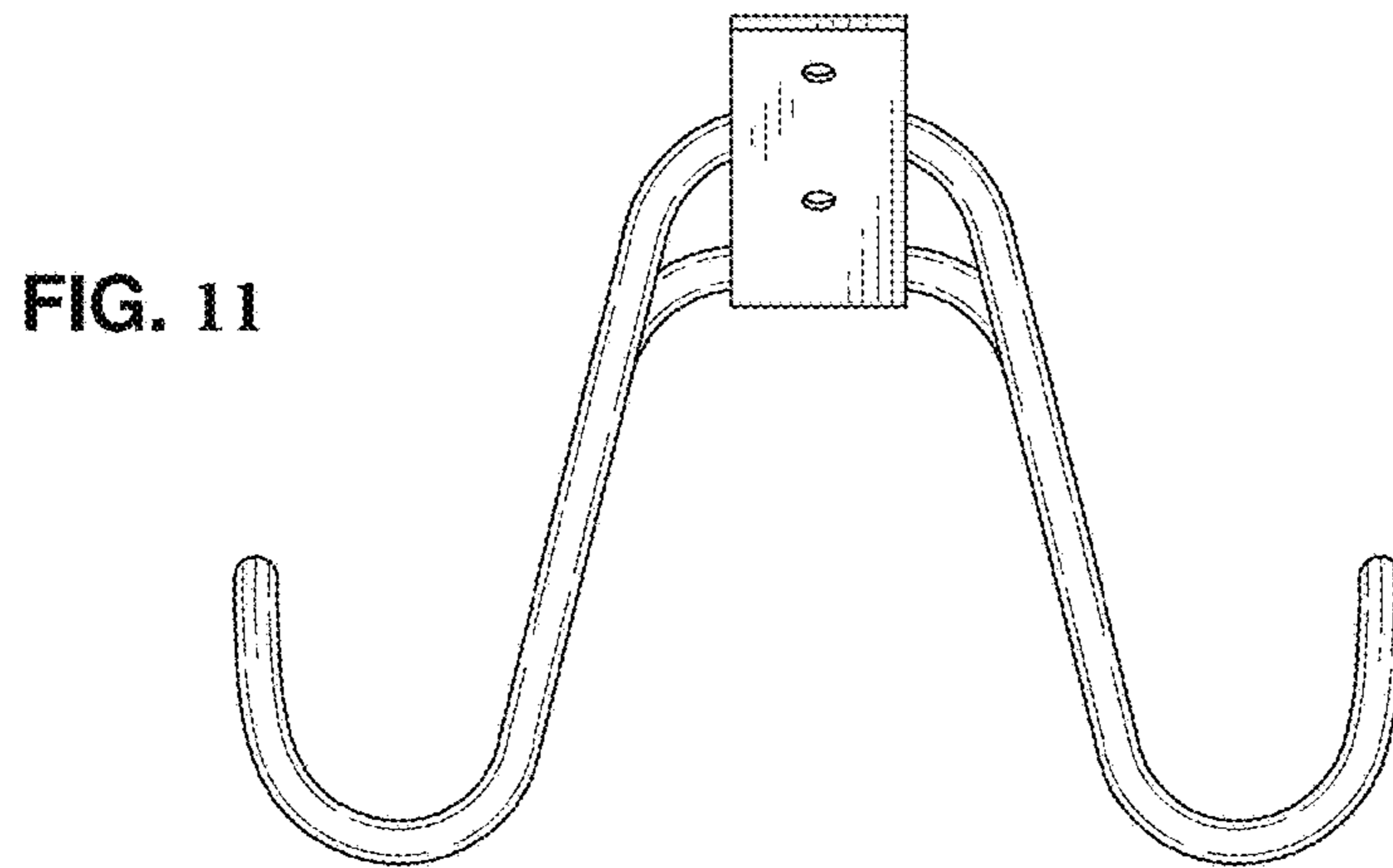


FIG. 11

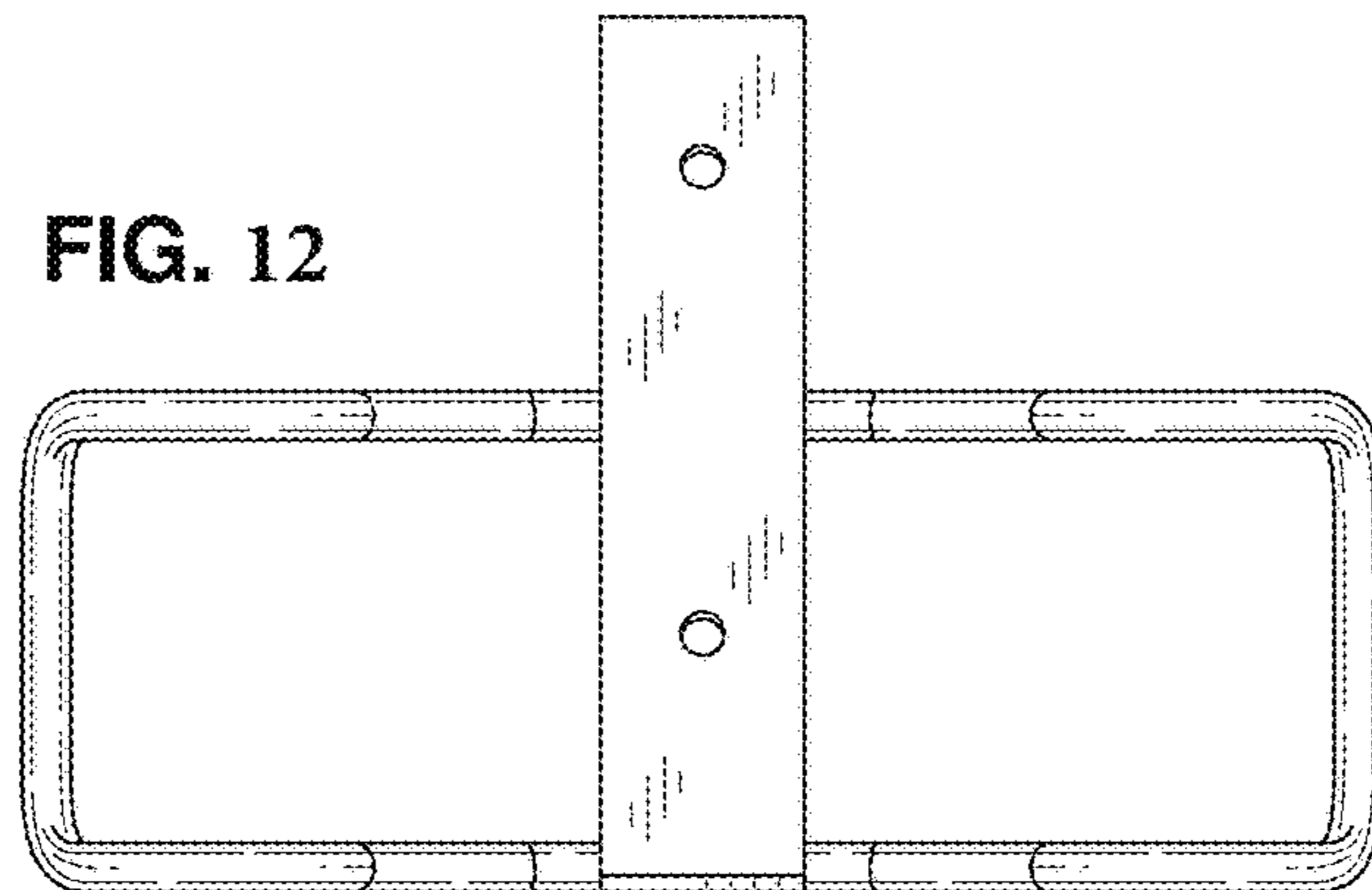


FIG. 12

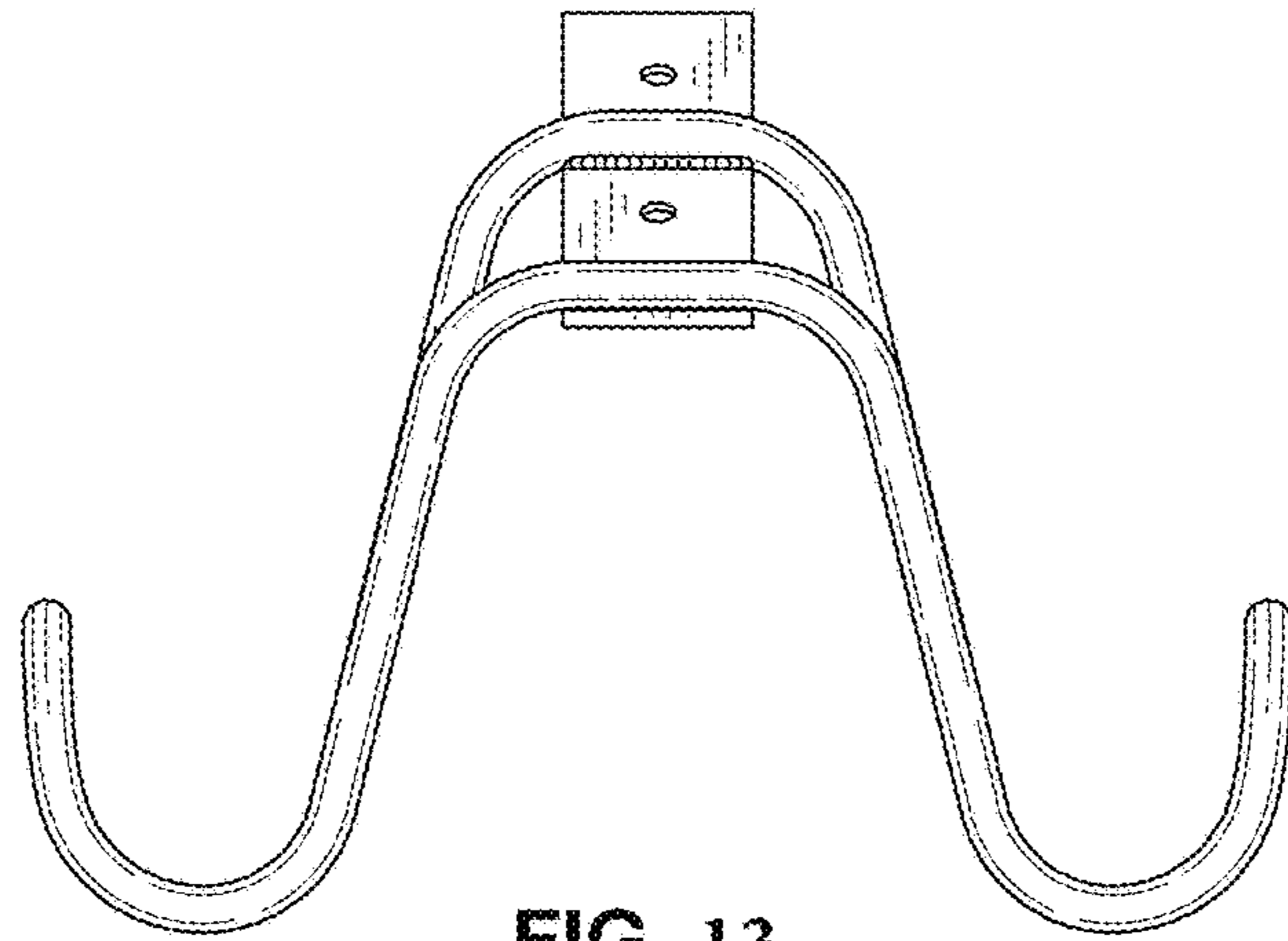


FIG. 13

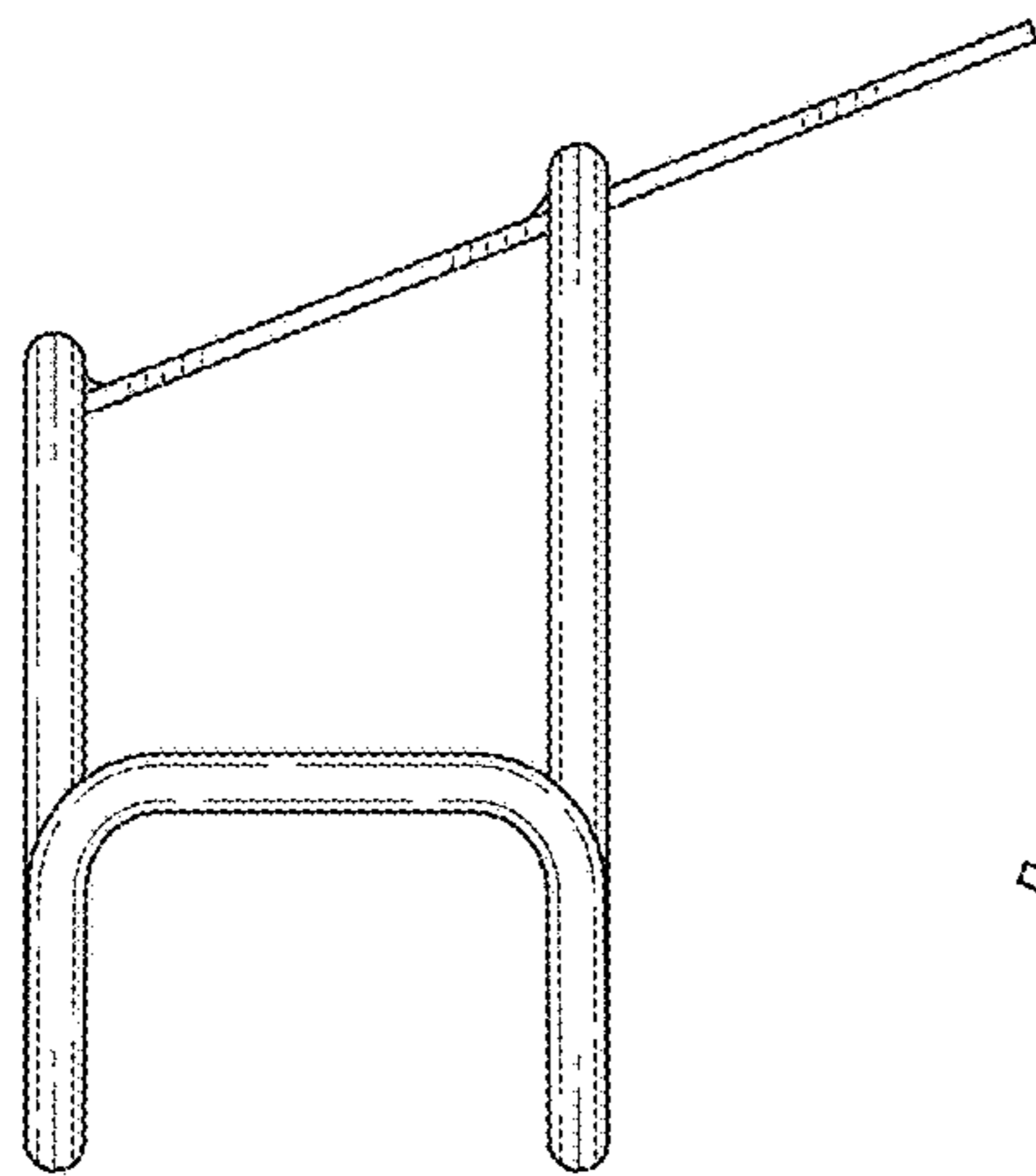


FIG. 14

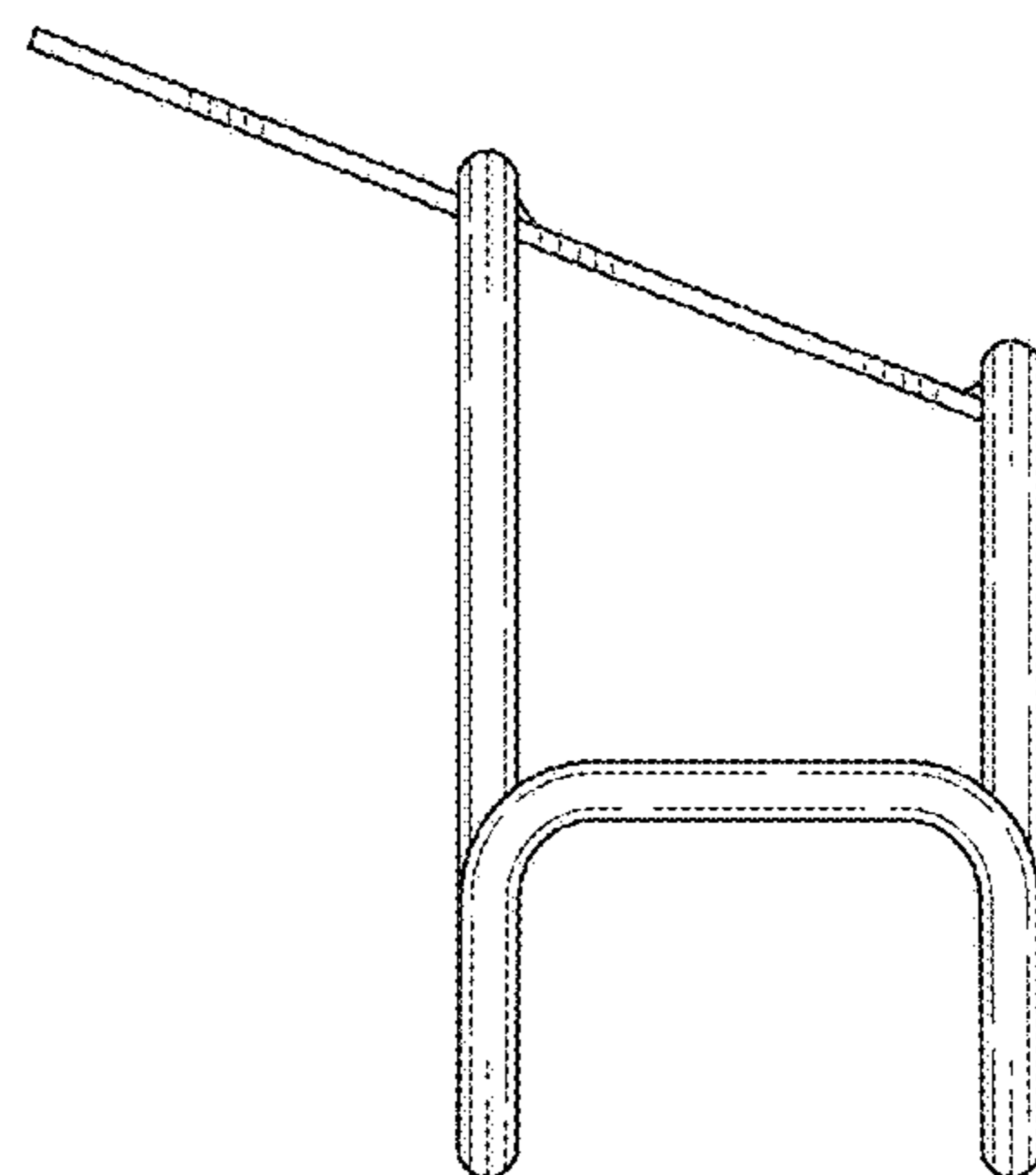


FIG. 15