



US00D854635S

(12) **United States Design Patent** (10) **Patent No.:** **US D854,635 S**
Dunahay (45) **Date of Patent:** **** Jul. 23, 2019**

(54) **PULL UP BAR**

FOREIGN PATENT DOCUMENTS

(71) Applicant: **Coulter Ventures LLC**, Columbus, OH (US)

EP 2400205 A1 12/2011
WO 2008054720 A2 5/2008
WO 2009003280 A1 1/2009

(72) Inventor: **Nash Dunahay**, Gahanna, OH (US)

OTHER PUBLICATIONS

(73) Assignee: **Coulter Ventures, LLC**, Columbus, OH (US)

Pull up bar by Rogue dated Jun. 4, 2018. Found online [Feb. 4, 2019] https://www.roguefitness.com/rogue-jammer-pull-up-bar?bvstate=pg:4/ct:r.*

(**) Term: **15 Years**

(Continued)

(21) Appl. No.: **29/647,238**

Primary Examiner — Philip S Hyder
Assistant Examiner — Ryan Harvey

(22) Filed: **May 10, 2018**

(51) **LOC (11) Cl.** **21-02**

(74) *Attorney, Agent, or Firm* — Banner & Witcoff, Ltd.

(52) **U.S. Cl.**

USPC **D21/679**

(58) **Field of Classification Search**

(57) **CLAIM**

USPC D6/656.1, 552, 549, 548; D21/827, 826, D21/797, 694, 691, 690, 686, 679, 673, D21/665, 662; 482/96, 95, 94, 93, 92, 482/87, 8, 77, 41, 40, 38, 36, 35, 2, 148, 482/147, 144, 142, 141, 140, 135, 133, 482/132, 130, 128, 104, 101; 472/136, 472/118

The ornamental design for a pull up bar, as shown and described.

CPC A63B 21/4035; A63B 21/0552; A63B 23/0211; A63B 2210/50; A63B 21/4047; A63B 23/12; A63B 21/068; A63B 21/154; A63B 2208/0204; A63B 23/1236; A63B 21/00047; A63B 23/1218; A63B 23/1227; A63B 1/00

DESCRIPTION

See application file for complete search history.

FIG. 1 is a top, front, left perspective view of a pull up bar showing my new design;
FIG. 2 is a top, front, right perspective view thereof;
FIG. 3 is a front view thereof;
FIG. 4 is a left side view thereof;
FIG. 5 is a right side view thereof;
FIG. 6 is a top view thereof;
FIG. 7 is a bottom view thereof; and,
FIG. 8 is a top, front, left perspective view of the design in FIGS. 1-7 positioned above a door frame shown as example environment.
The broken lines showing lettering in FIGS. 1-3 and 8 show features of example environment that form no part of the claimed design. The broken lines depicting the remainder of the pull up bar and the example environment in FIG. 8 show features that form no part of the claimed design.

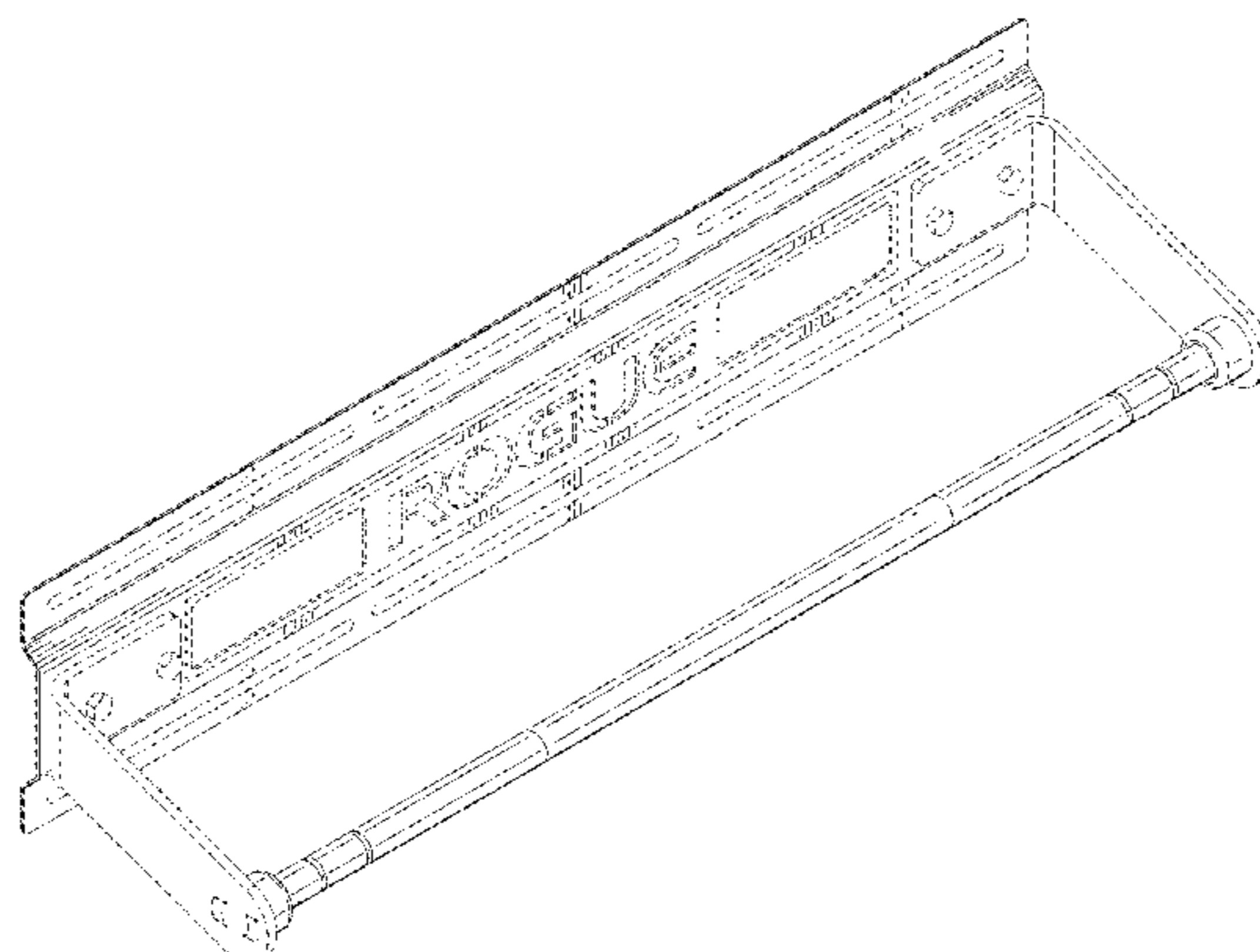
(56) **References Cited**

U.S. PATENT DOCUMENTS

1,410,149 A * 3/1922 Williams A63B 1/00 482/38
2,855,200 A 10/1958 Blickman
D210,469 S * 3/1968 Sejersen 482/40
D269,691 S * 7/1983 Ornstein D21/691
D290,033 S * 5/1987 Policastro D21/691

(Continued)

1 Claim, 6 Drawing Sheets



(56)

References Cited

U.S. PATENT DOCUMENTS

D297,957 S * 10/1988 Gordon, III D21/691
 4,961,295 A 10/1990 Kosch, Sr. et al.
 5,046,722 A 9/1991 Antoon
 5,273,506 A 12/1993 Dawson, Jr.
 5,290,209 A * 3/1994 Wilkinson A63B 21/00047
 482/121
 D355,005 S * 1/1995 Voohanel, Jr. D21/691
 5,776,033 A * 7/1998 Brown A63B 1/00
 248/317
 6,116,550 A 9/2000 Forbes
 6,129,651 A * 10/2000 Denaro A63B 21/00047
 482/141
 D486,020 S * 2/2004 Hoernig D6/549
 D486,337 S * 2/2004 Hoernig D6/548
 D514,857 S * 2/2006 Hoernig D6/548
 D525,668 S * 7/2006 Payne D21/691
 7,316,379 B1 1/2008 Graham
 7,523,907 B2 4/2009 Chen
 D593,169 S * 5/2009 Storch D21/686
 7,892,158 B2 * 2/2011 Varga A63B 21/4017
 482/141
 8,079,915 B2 * 12/2011 Spencer A63G 9/00
 472/118
 D682,955 S * 5/2013 Stephan D21/679
 D703,773 S * 4/2014 Henry D21/691
 9,044,629 B2 * 6/2015 Ross A63B 1/005
 D734,410 S * 7/2015 Childs D21/686
 9,192,799 B2 11/2015 Alenaddaf
 9,308,410 B2 4/2016 Beaver et al.
 9,333,387 B2 5/2016 Hopperstad et al.
 D764,607 S * 8/2016 Beckford D21/679
 9,409,048 B1 8/2016 Hopperstad et al.
 9,498,670 B1 11/2016 Hopperstad et al.
 9,517,382 B2 12/2016 Payne
 9,649,525 B2 5/2017 Hopperstad et al.
 9,675,829 B1 * 6/2017 Katz A63B 1/00
 9,700,761 B2 7/2017 Beaver et al.
 9,844,691 B2 12/2017 Hopperstad et al.
 D816,173 S * 4/2018 Jackson D21/691
 9,993,678 B2 6/2018 Hopperstad et al.
 2002/0082145 A1 * 6/2002 Hamilton A63B 3/00
 482/38
 2003/0222041 A1 12/2003 Hong et al.
 2005/0130806 A1 * 6/2005 Lopez A63B 21/00047
 482/38
 2006/0065800 A1 3/2006 Bremmon
 2006/0145038 A1 7/2006 Chen
 2009/0105052 A1 4/2009 Dalebout et al.
 2009/0124471 A1 * 5/2009 Storch A63B 21/00047
 482/141
 2010/0044536 A1 2/2010 Huang

2010/0048368 A1 2/2010 Donofrio
 2010/0171017 A1 7/2010 Chang
 2012/0094812 A1 * 4/2012 Smiley A63B 21/0004
 482/128
 2013/0237394 A1 * 9/2013 Fowler A63B 17/00
 482/142
 2013/0260970 A1 * 10/2013 Moskowich A63B 21/068
 482/141
 2014/0166834 A1 6/2014 Kuroyanagi et al.
 2014/0371040 A1 * 12/2014 Vasquez A63B 1/00
 482/132
 2015/0126335 A1 * 5/2015 Gilson A63B 1/00
 482/38
 2015/0264823 A1 9/2015 Shirley et al.
 2015/0290488 A1 10/2015 Hopperstad et al.
 2016/0250515 A1 9/2016 Hopperstad et al.
 2016/0338512 A1 11/2016 Royak
 2016/0339291 A1 11/2016 Hopperstad et al.
 2017/0065844 A1 3/2017 Hopperstad et al.
 2017/0072260 A1 * 3/2017 Jackson A63B 23/1218
 2017/0189736 A1 7/2017 Martin
 2017/0209733 A1 7/2017 Beaver et al.
 2017/0239512 A1 8/2017 Brasch et al.
 2017/0246490 A1 8/2017 Hopperstad et al.
 2018/0056116 A1 * 3/2018 Le Nguyen A63B 21/4035
 2018/0104522 A1 4/2018 Hopperstad et al.
 2018/0142832 A1 5/2018 Inouye
 2018/0153305 A1 6/2018 Haines
 2018/0154234 A1 * 6/2018 Pack A63B 63/083
 2018/0178051 A1 6/2018 Shaw, Jr.

OTHER PUBLICATIONS

Rogue product advertisement dated Dec. 3, 2015 (redacted).
 Rogue fitness product video screenshots from <<https://www.youtube.com/watch?v=TRpmZ68p5Hw>>, dated Sep. 19, 2017.
 Gorila Fitness product advertisement dated Apr. 16, 2018 (redacted).
 Bulldog Gear product advertisement dated Jan. 11, 2018.
 Pure Strength product listing dated Sep. 6, 2018 from <<https://www.pure-strength.com/collections/slim-gym-utility-plate>>.
 Titan Fitness product listing dated Sep. 6, 2018 from <<https://www.titan.fitness/t-3-folding-power-rack-stringers.html>>.
 Titan Fitness product listing dated Sep. 6, 2018 from <<https://www.titan.fitness/41-inch-deep-folding-wall-mount-rack.html>>(product known to be available as of Mar. 2, 2016).
 Product listing for Rogue V2 Face Mount Pull-up Bar for Monster Lite from <https://web.archive.org/web/20161105161238/https://www.roguefitness.com/rogue-v2-face-mount-pull-up-bar-for-monster-lite>, dated Nov. 5, 2016.

* cited by examiner

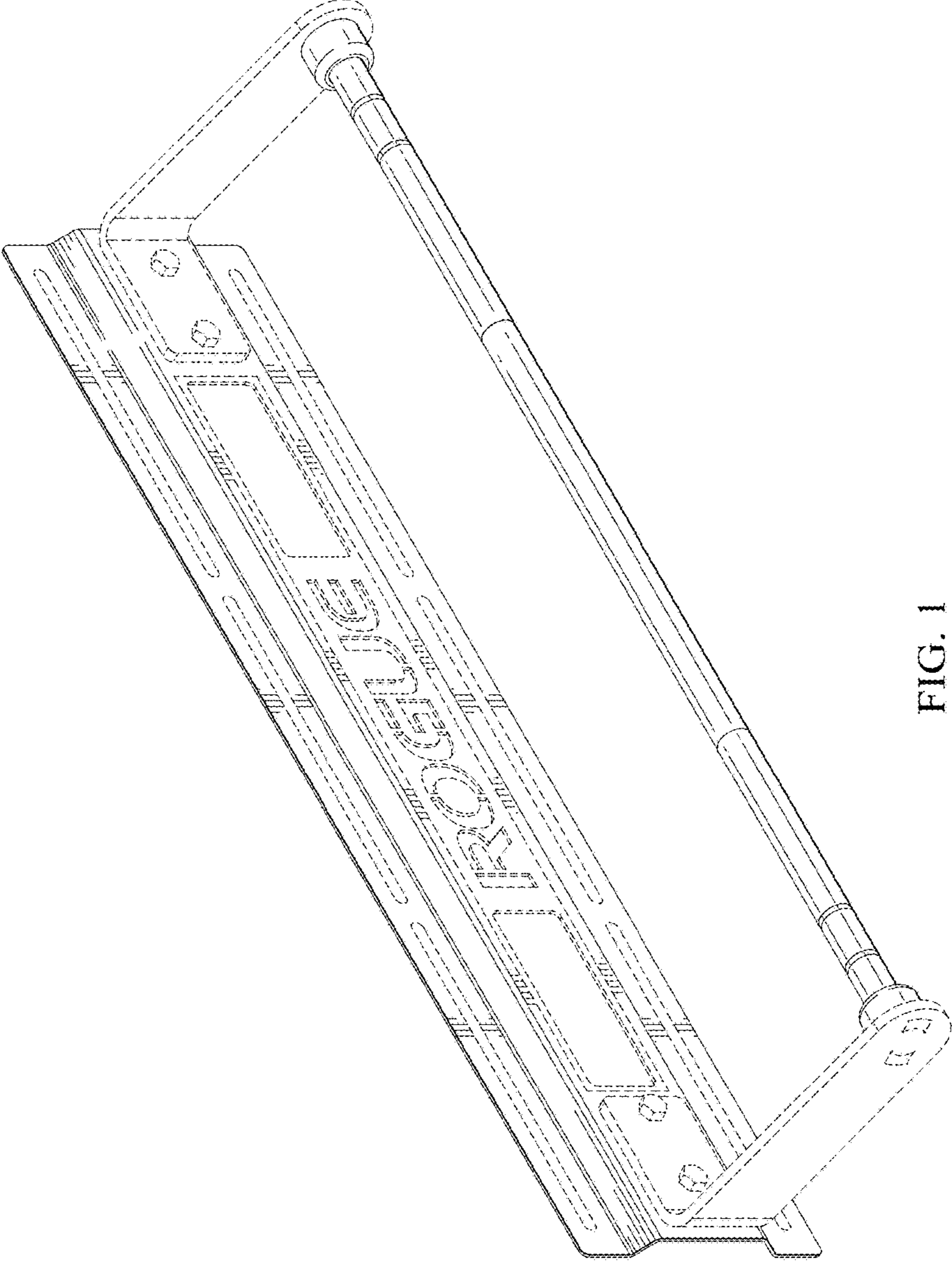


FIG. 1

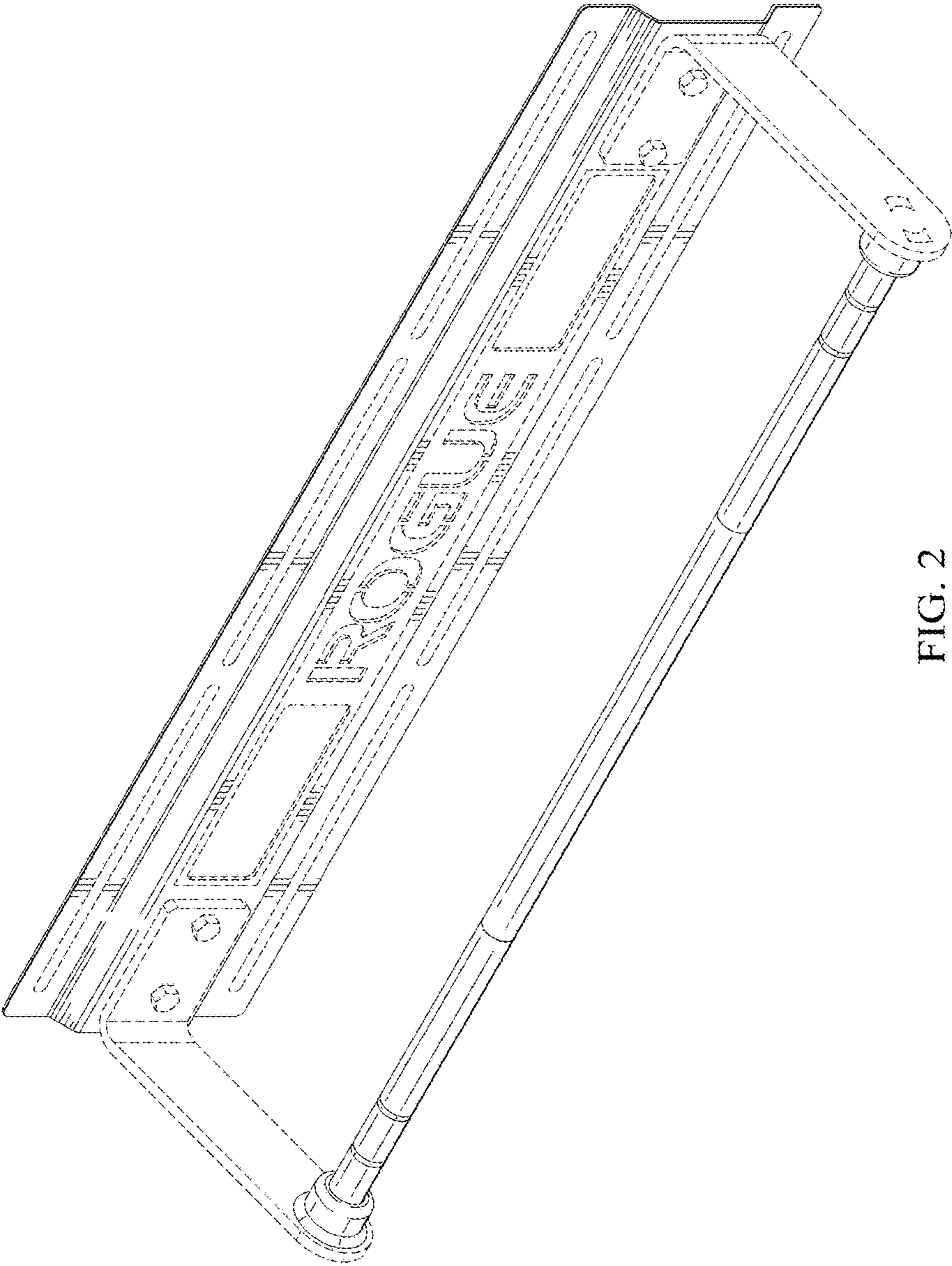


FIG. 2

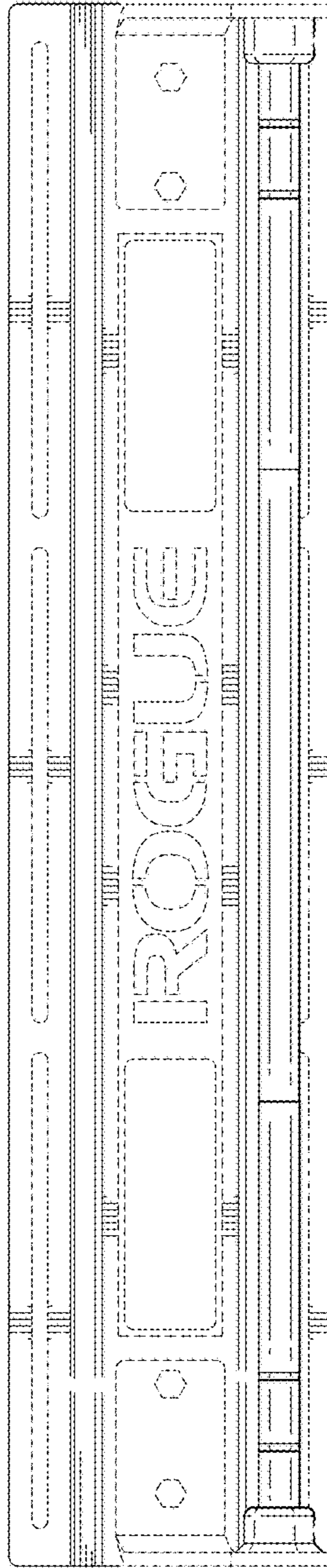


FIG. 3

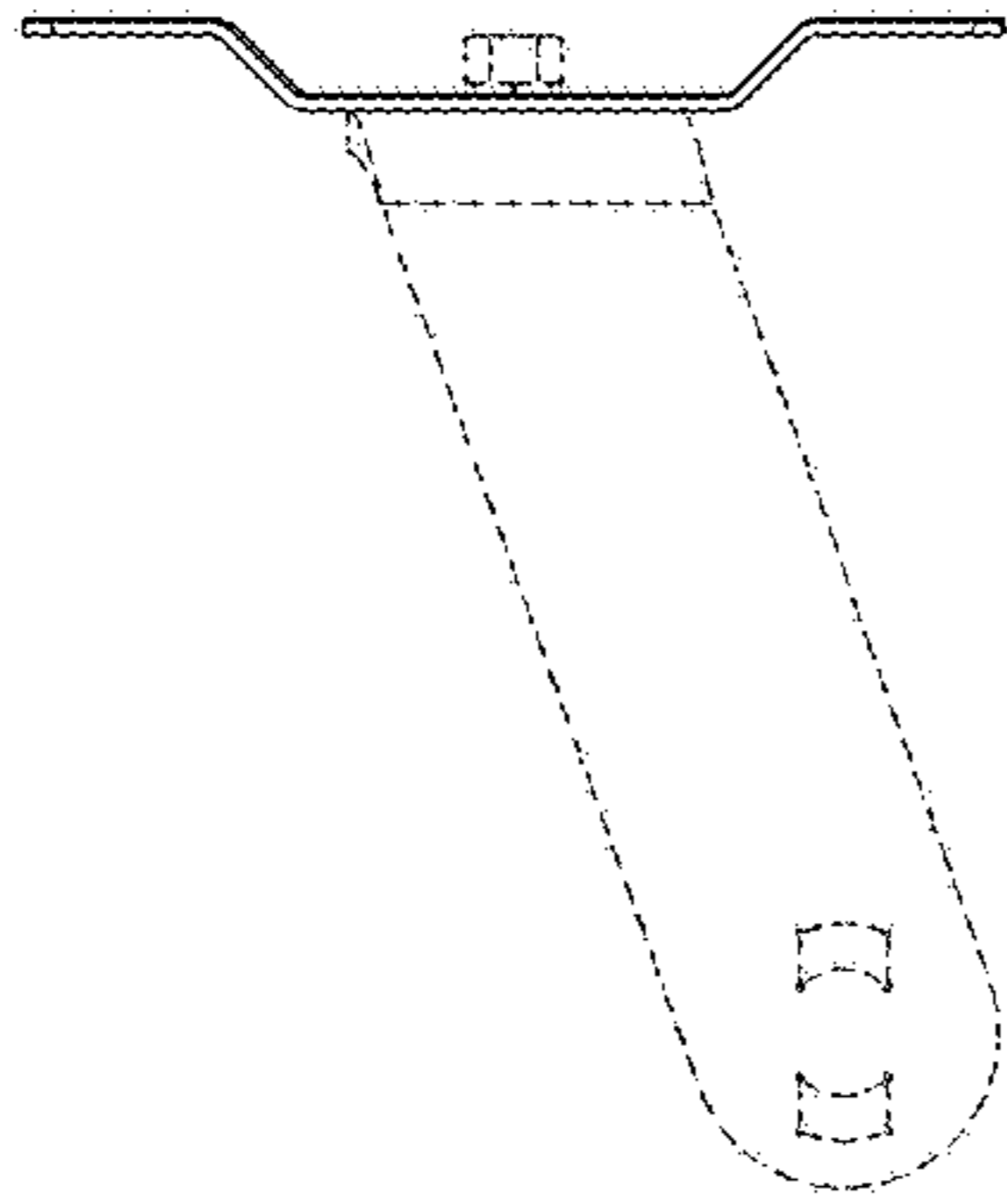


FIG. 5

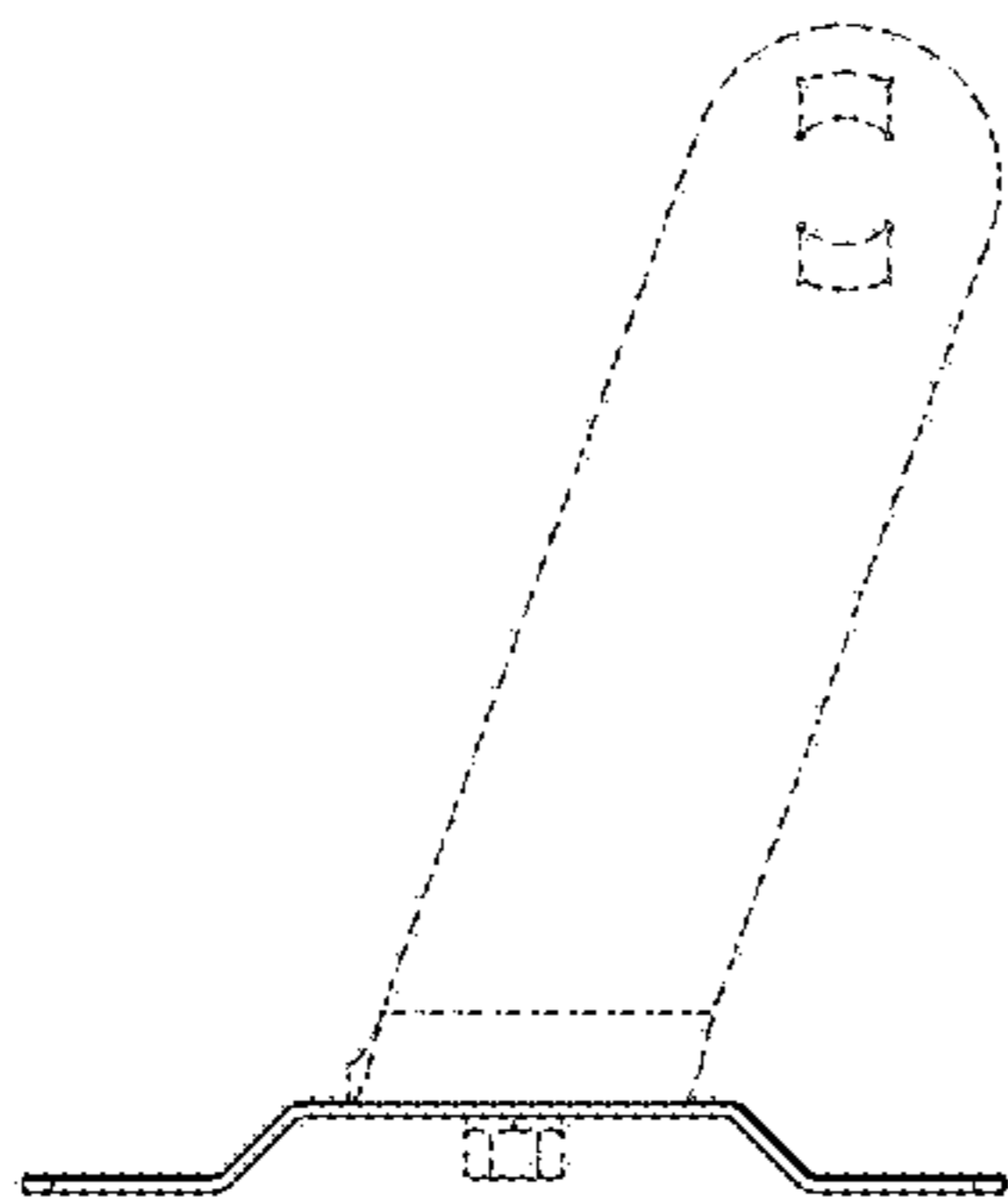


FIG. 4

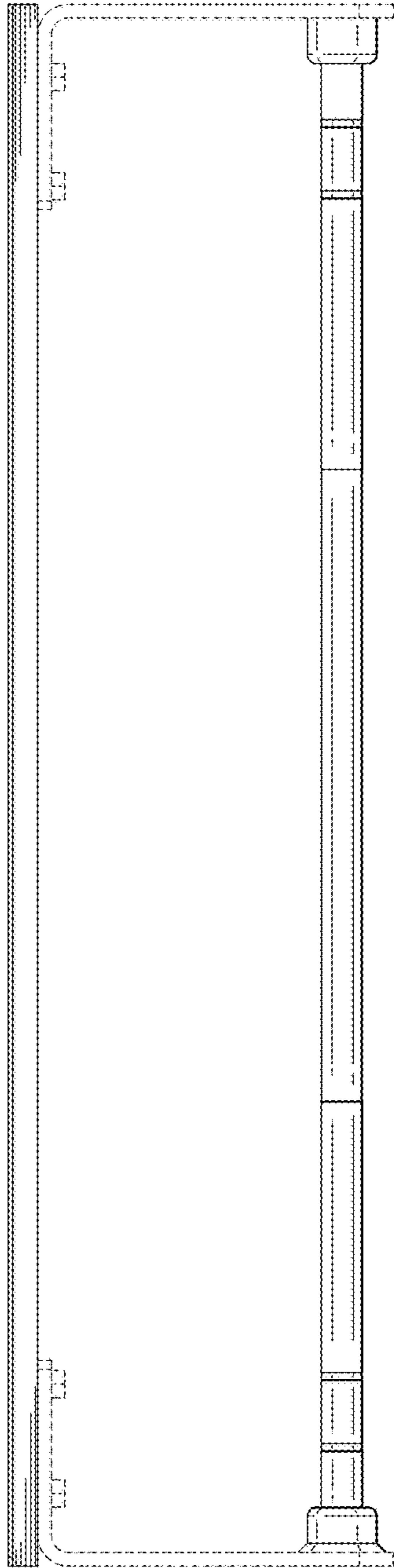


FIG. 6

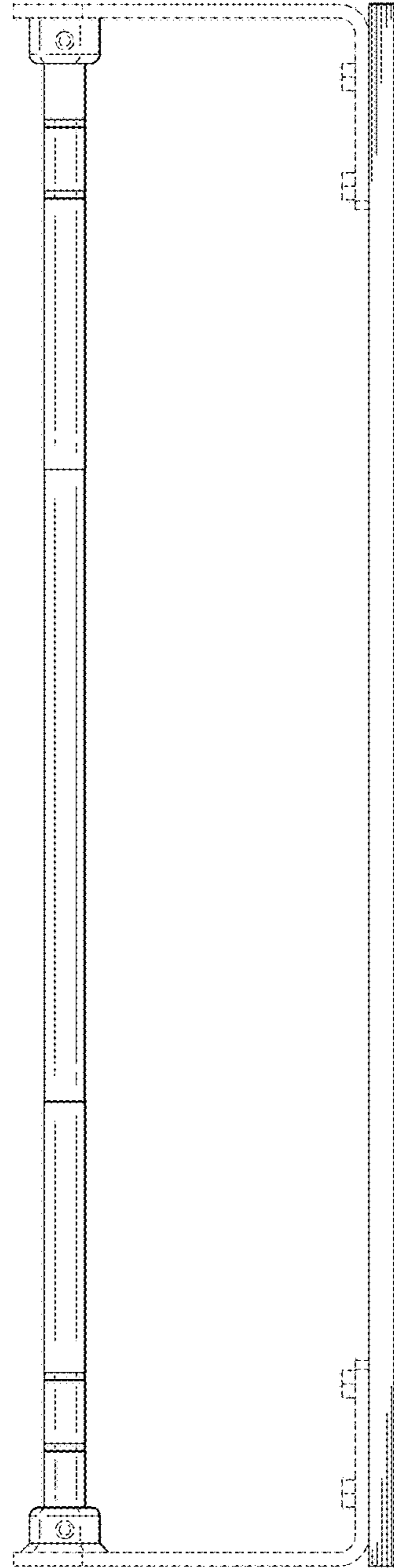


FIG. 7

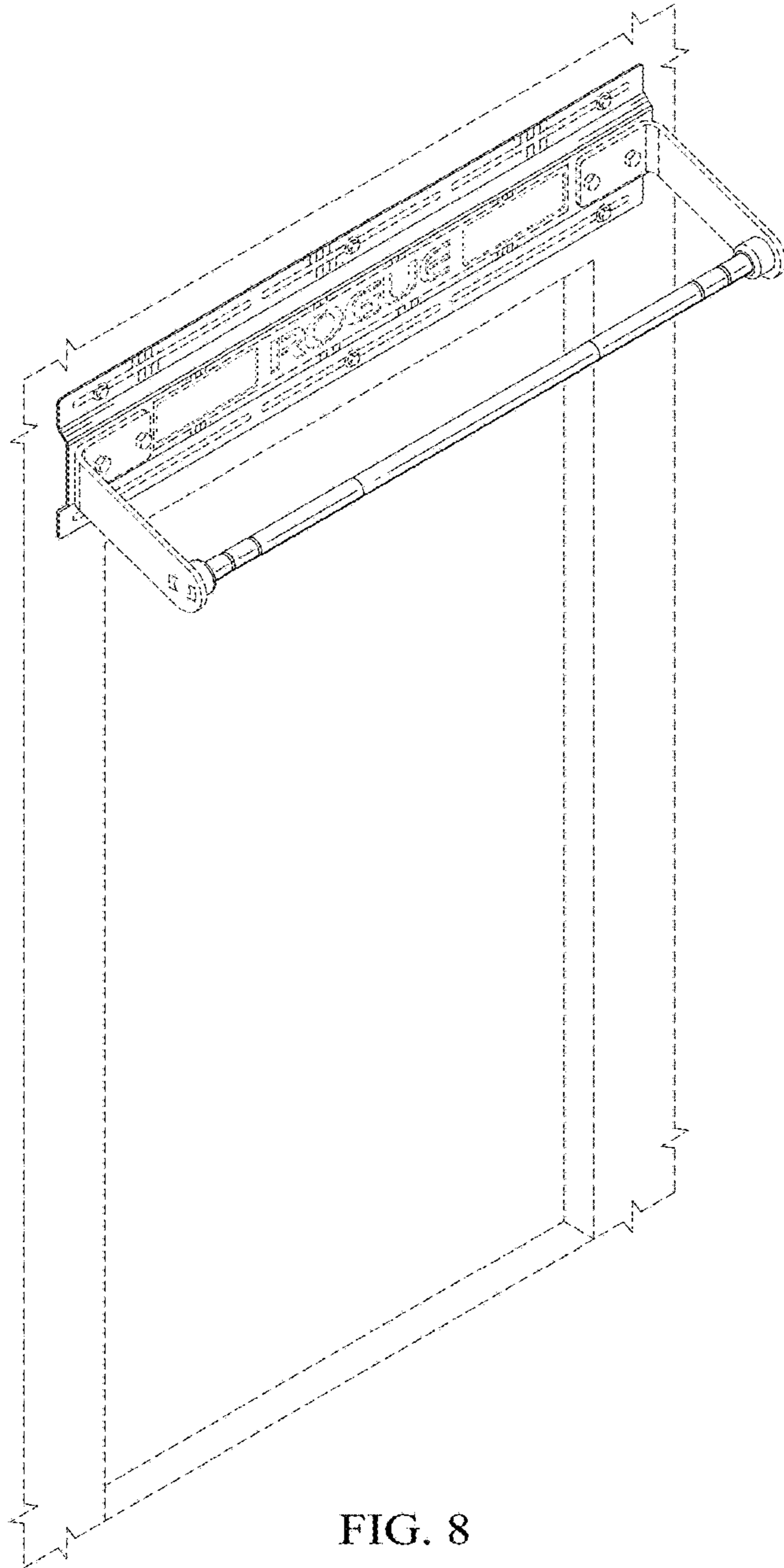


FIG. 8