

US00D854634S

(12) **United States Design Patent**
Zhao

(10) **Patent No.:** **US D854,634 S**

(45) **Date of Patent:** **** Jul. 23, 2019**

(54) **TREADMILL**

(71) Applicant: **SHANDONG MBH FITNESS Co., LTD.**, Dezhou, Shandong (CN)

(72) Inventor: **Jinzhi Zhao**, Shandong (CN)

(73) Assignee: **SHANDONG MBH FITNESS CO., LTD.**, Shandong (CN)

(**) Term: **15 Years**

(21) Appl. No.: **29/641,190**

(22) Filed: **Mar. 20, 2018**

(51) **LOC (11) Cl.** **21-02**

(52) **U.S. Cl.**
USPC **D21/669**

(58) **Field of Classification Search**
USPC 482/54, 2, 51, 8, 70, 146; D21/669;
198/439, 456; D30/160; 601/35, 23, 5,
601/34
CPC . A63B 22/02; A63B 22/0023; A63B 22/0235;
A63B 2210/50; A63B 22/0285; A63B
22/0242; A63B 2022/025; A63B 2225/30;
A63B 2022/0214; A63B 2220/13; A63B
2022/0228; A63B 2210/56; A63B
2024/0093; A63B 2022/0207; A63B
22/0012; A63B 22/0257; A61H 3/008;
A61H 1/0262; A61H 2201/164; A01K
15/027

See application file for complete search history.

(56) **References Cited**

U.S. PATENT DOCUMENTS

D282,386 S * 1/1986 Dealey D21/669
5,833,584 A * 11/1998 Piaget A63B 22/0012
482/70

D447,780 S * 9/2001 Arnold D21/669
D482,085 S * 11/2003 Eyer D21/669
D579,992 S 11/2008 Cesaroni
D682,372 S * 5/2013 Alessandri D21/669
D683,802 S 6/2013 Lee
D704,778 S 5/2014 Decommer
D707,763 S 6/2014 Cutler
D827,733 S * 9/2018 Hochstrasser D21/669
2004/0018917 A1* 1/2004 Corbalis A63B 22/02
482/54

* cited by examiner

Primary Examiner — Philip S Hyder

Assistant Examiner — Ryan Harvey

(74) *Attorney, Agent, or Firm* — Craft Chu PLLC;
Andrew W. Chu

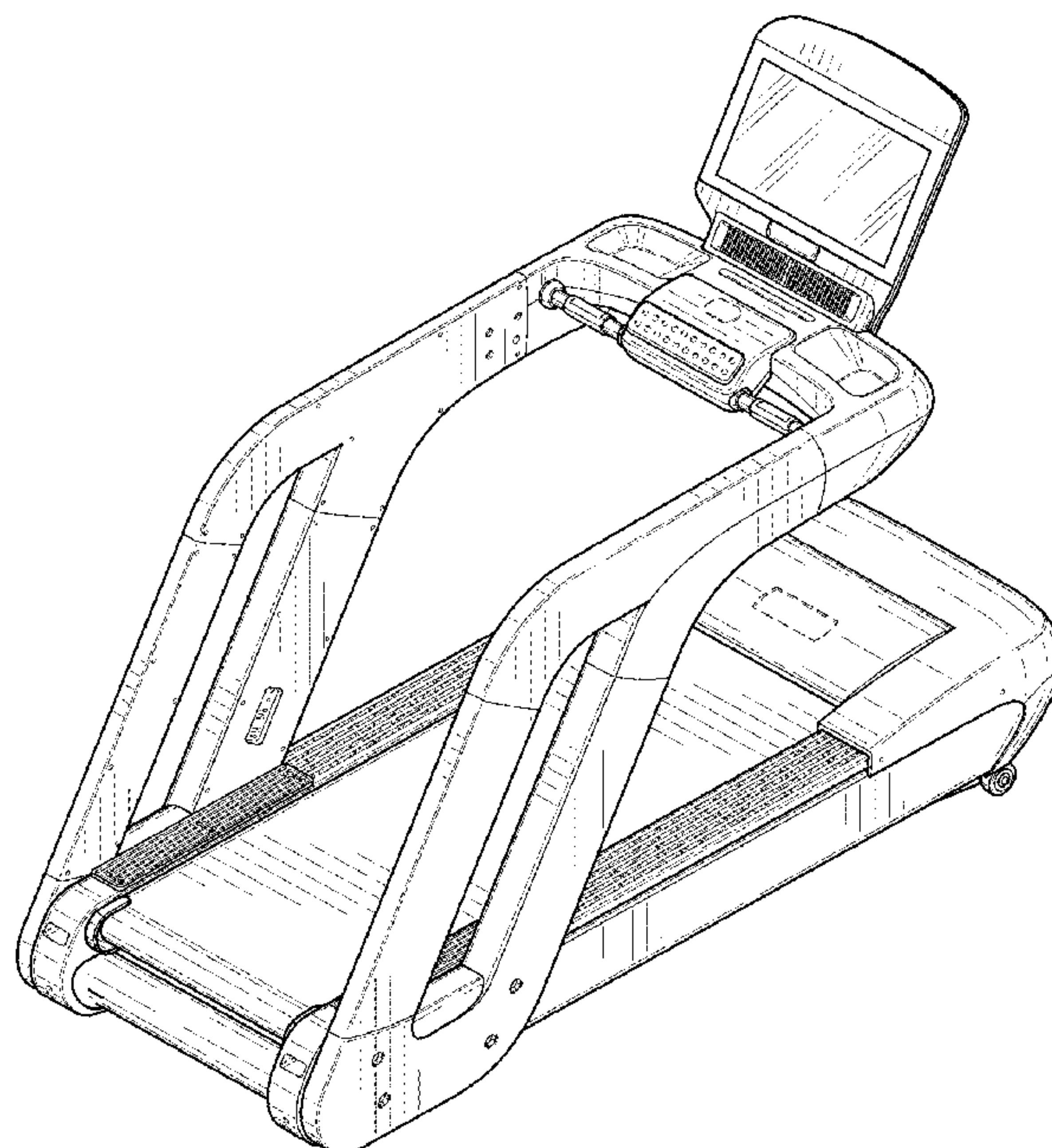
(57) **CLAIM**

The ornamental design for a treadmill, as shown and described.

DESCRIPTION

FIG. 1 is a back elevation view of the treadmill showing my design.
FIG. 2 is a front elevation view thereof;
FIG. 3 is a side elevation view thereof;
FIG. 4 is an opposite side elevation view thereof;
FIG. 5 is a top plan view thereof;
FIG. 6 is a bottom plan view thereof; and,
FIG. 7 is a rear upper perspective view thereof.
Broken line portions indicate environment, such as decals, and form no part of the claimed design.

1 Claim, 4 Drawing Sheets



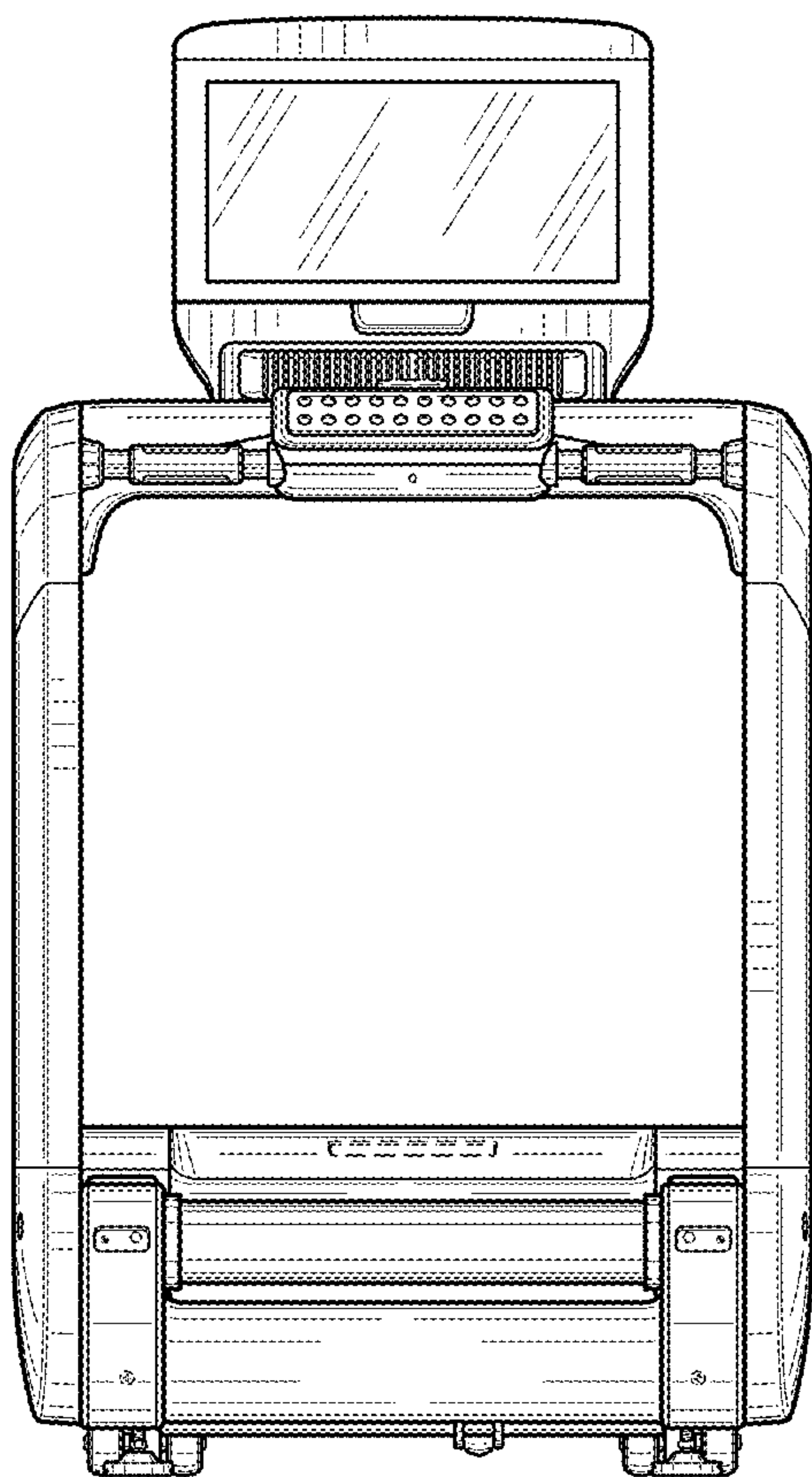


FIG. 1

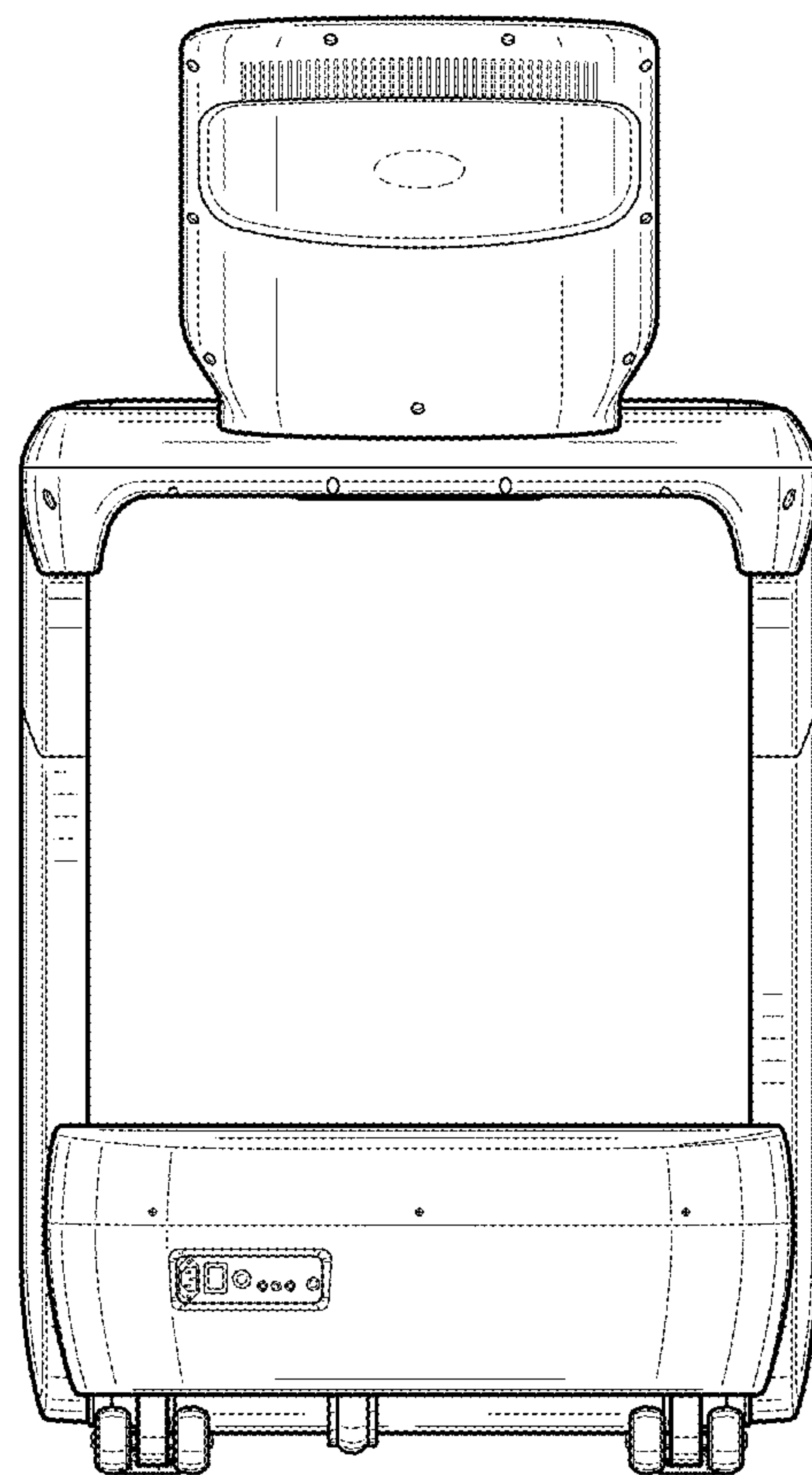


FIG. 2

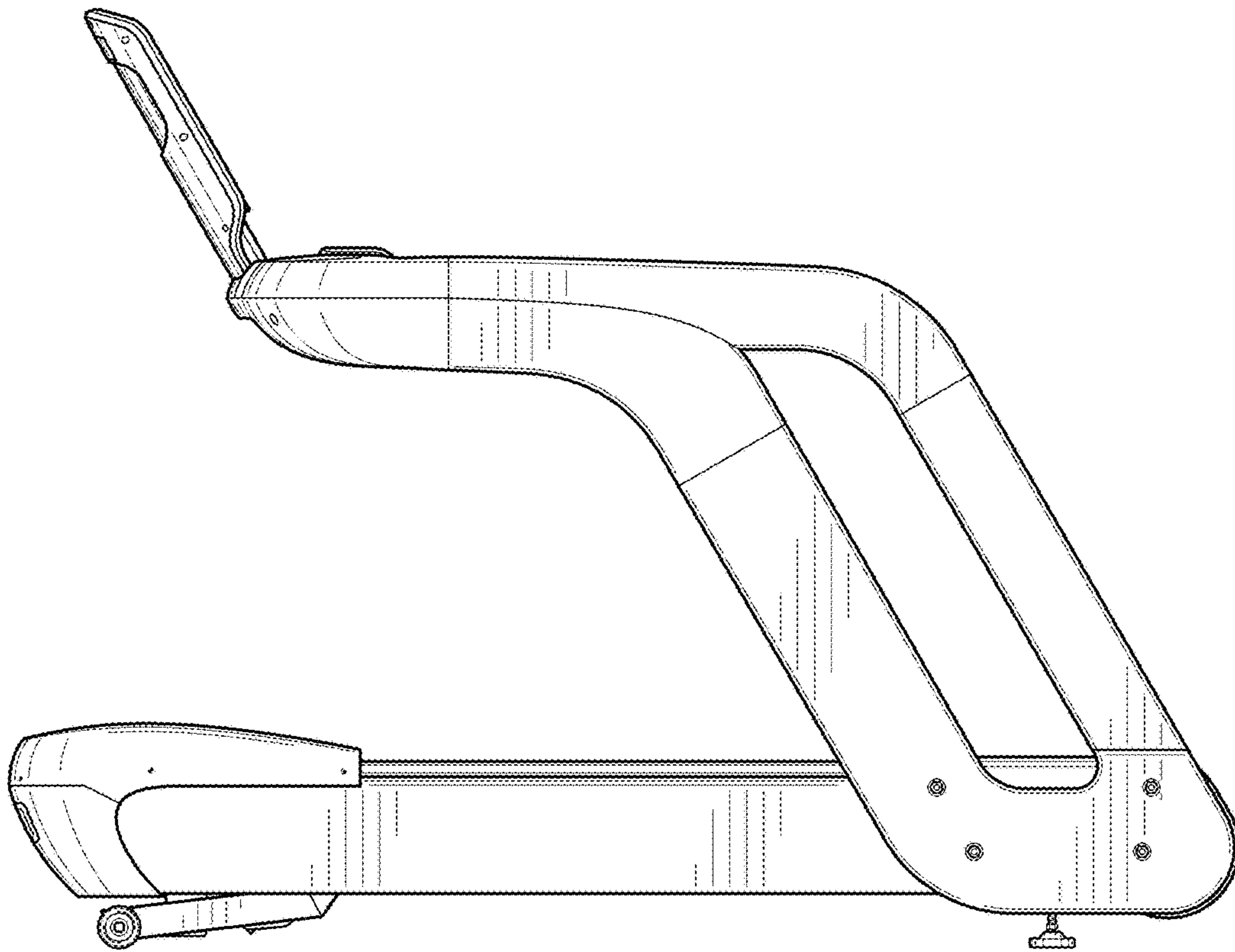


FIG. 3

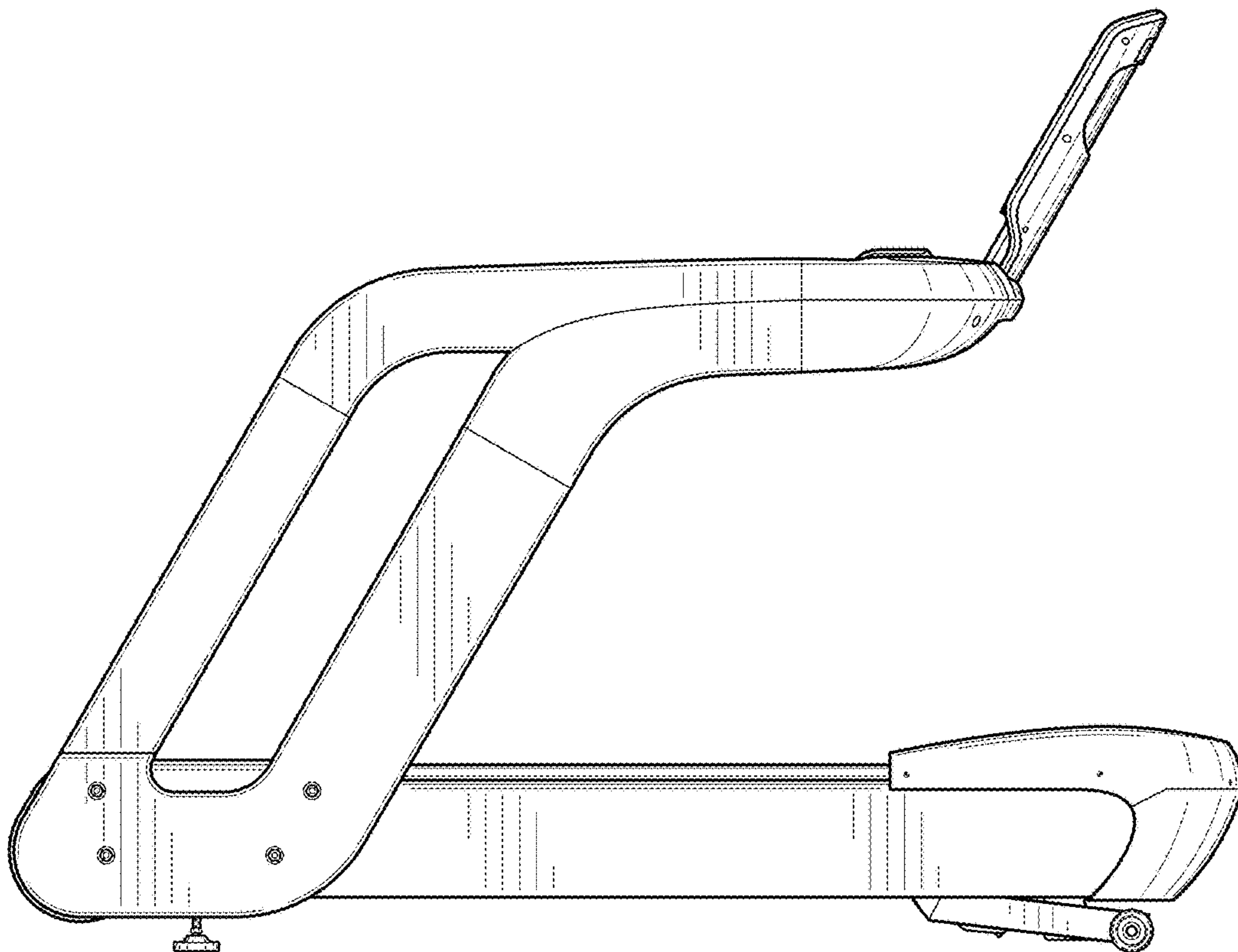


FIG. 4

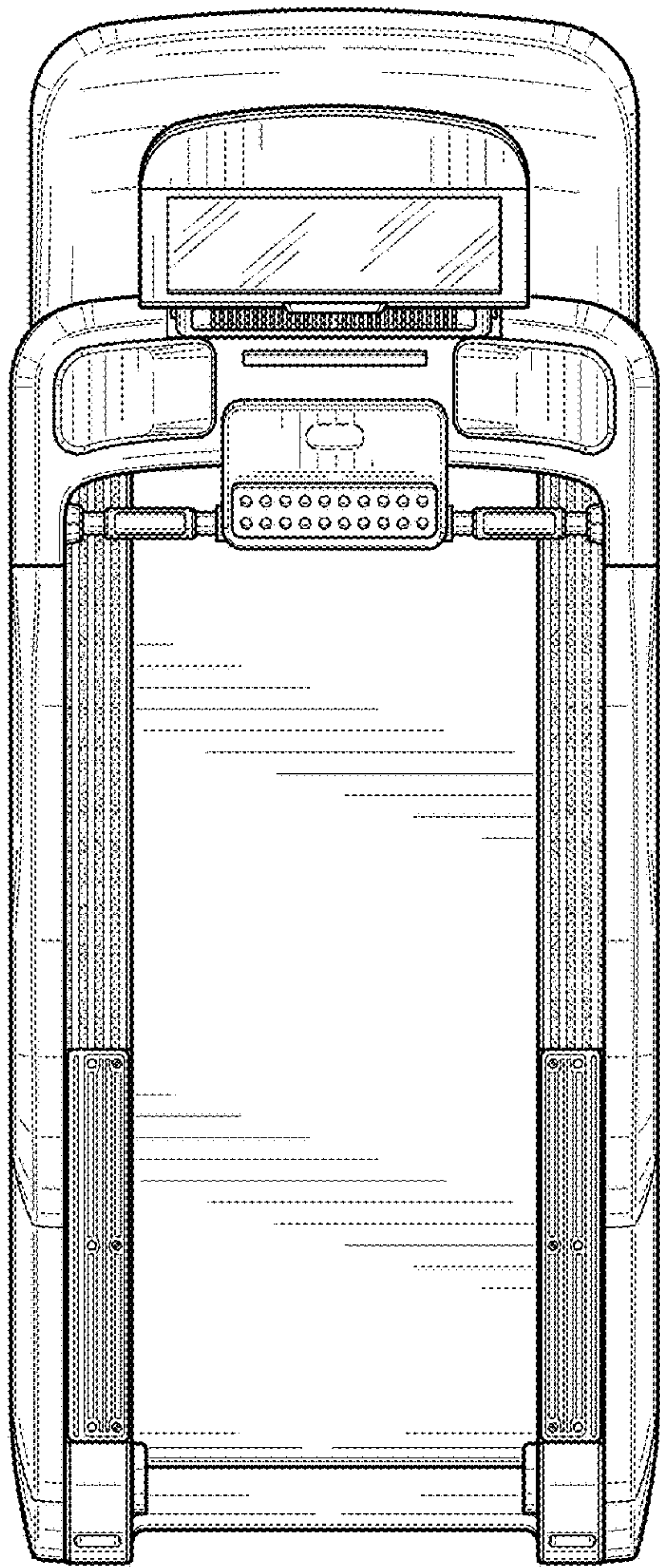


FIG. 5

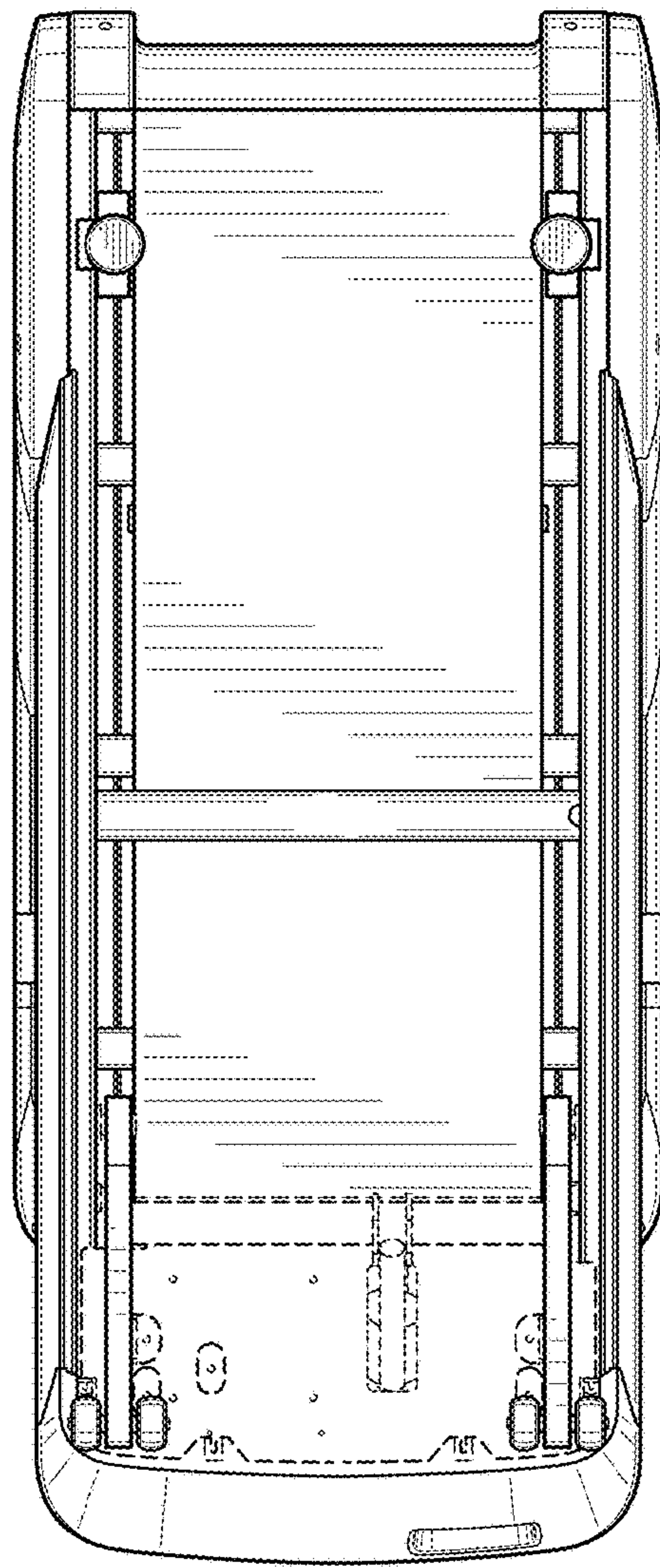


FIG. 6

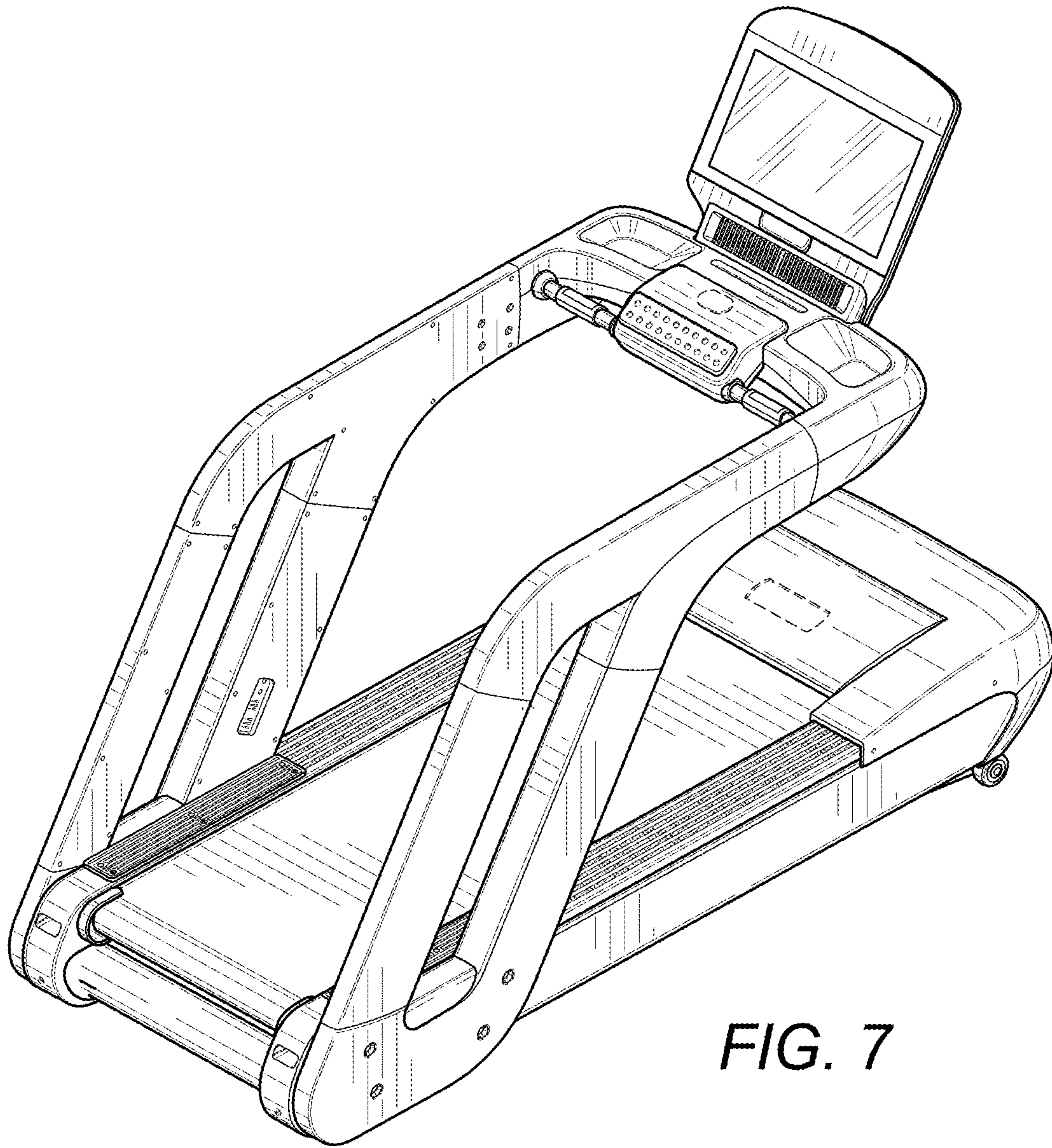


FIG. 7