



US00D854629S

(12) **United States Design Patent**
Zhang et al.

(10) **Patent No.:** **US D854,629 S**
(45) **Date of Patent:** **** Jul. 23, 2019**

- (54) **TOY BUILDING BLOCK**
- (71) Applicant: **Shanghai Putao Technology Co., Ltd.**,
Shanghai (CN)
- (72) Inventors: **Qian Zhang**, Shanghai (CN); **Lei Li**,
Shanghai (CN)
- (73) Assignee: **Shanghai Putao Technology Co., Ltd.**,
Shanghai (CN)
- (**) Term: **15 Years**
- (21) Appl. No.: **29/644,073**
- (22) Filed: **Apr. 13, 2018**
- (30) **Foreign Application Priority Data**

Jan. 9, 2018 (CN) 2018 3 0009323

- (51) **LOC (11) Cl.** **21-01**
- (52) **U.S. Cl.**
USPC **D21/495**
- (58) **Field of Classification Search**
USPC D21/484, 495, 499, 500, 533, 534, 561,
D21/562
CPC A63H 17/00; A63H 17/002; A63H 17/26;
A63H 17/262; A63H 17/264
See application file for complete search history.

(56) **References Cited**

U.S. PATENT DOCUMENTS

- D262,045 S * 11/1981 Nakao D21/495
- 4,375,139 A * 3/1983 Chatani A63H 17/26
446/471
- 4,446,649 A * 5/1984 Moe A63H 33/04
446/128
- 4,631,040 A * 12/1986 Shiraiishi A63H 17/002
446/124
- D294,373 S * 2/1988 Bertrand D21/495
- D295,642 S * 5/1988 Olsen D21/495

- D295,649 S * 5/1988 Takahashi D21/500
- 4,947,527 A * 8/1990 Hennig A63H 17/264
24/586.11
- 5,069,647 A * 12/1991 Zuviria A63H 33/08
446/120
- D325,052 S * 3/1992 Andersen D21/495
- D344,552 S * 2/1994 Berggreen D21/495
- D363,516 S * 10/1995 Mathiesen D21/484
- D394,469 S * 5/1998 Nielsen D21/500
- D394,680 S * 5/1998 Andersen D21/495
- D395,470 S * 6/1998 Rahbek D21/484
- D412,725 S * 8/1999 Nielsen D21/495
- 6,616,500 B1 * 9/2003 Harms A63H 18/02
446/128
- D541,882 S * 5/2007 Petersen D21/495
- 2005/0215172 A1 * 9/2005 Chen A63H 17/002
446/427
- 2016/0129358 A1 * 5/2016 Eversoll A63H 30/04
463/40
- 2017/0189827 A1 * 7/2017 Chin A63H 33/042

* cited by examiner

Primary Examiner — Cynthia M. Chin

(74) *Attorney, Agent, or Firm* — Sterne, Kessler,
Goldstein & Fox P.L.L.C.

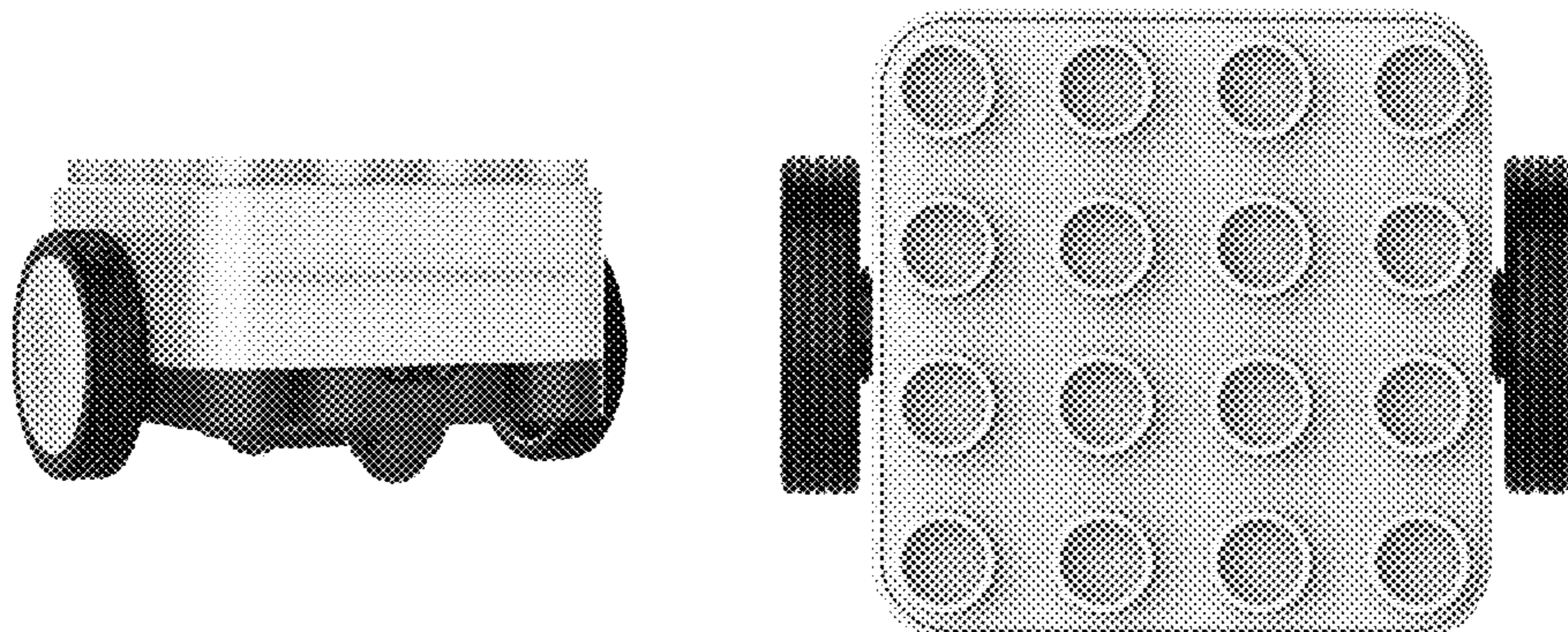
(57) **CLAIM**

The ornamental design for a toy building block, as shown and described.

DESCRIPTION

FIG. 1 is a front left perspective view of a toy building block showing the claimed design;
 FIG. 2 is a front right perspective view thereof;
 FIG. 3 is a front view thereof;
 FIG. 4 is a rear view thereof;
 FIG. 5 is a left side view thereof;
 FIG. 6 is a right side view thereof;
 FIG. 7 is a top view thereof; and,
 FIG. 8 is a bottom view thereof.

1 Claim, 8 Drawing Sheets



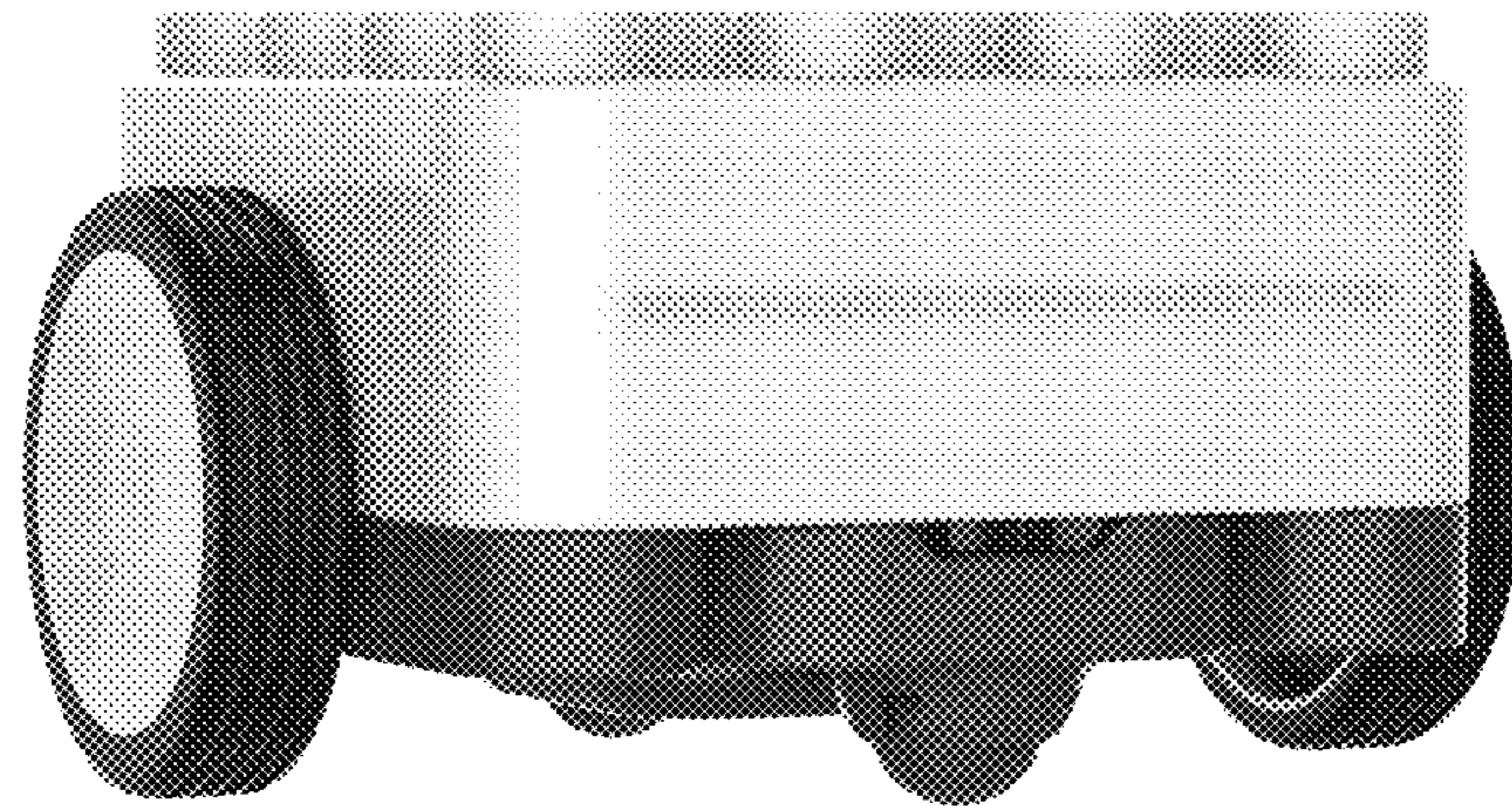


FIG. 1

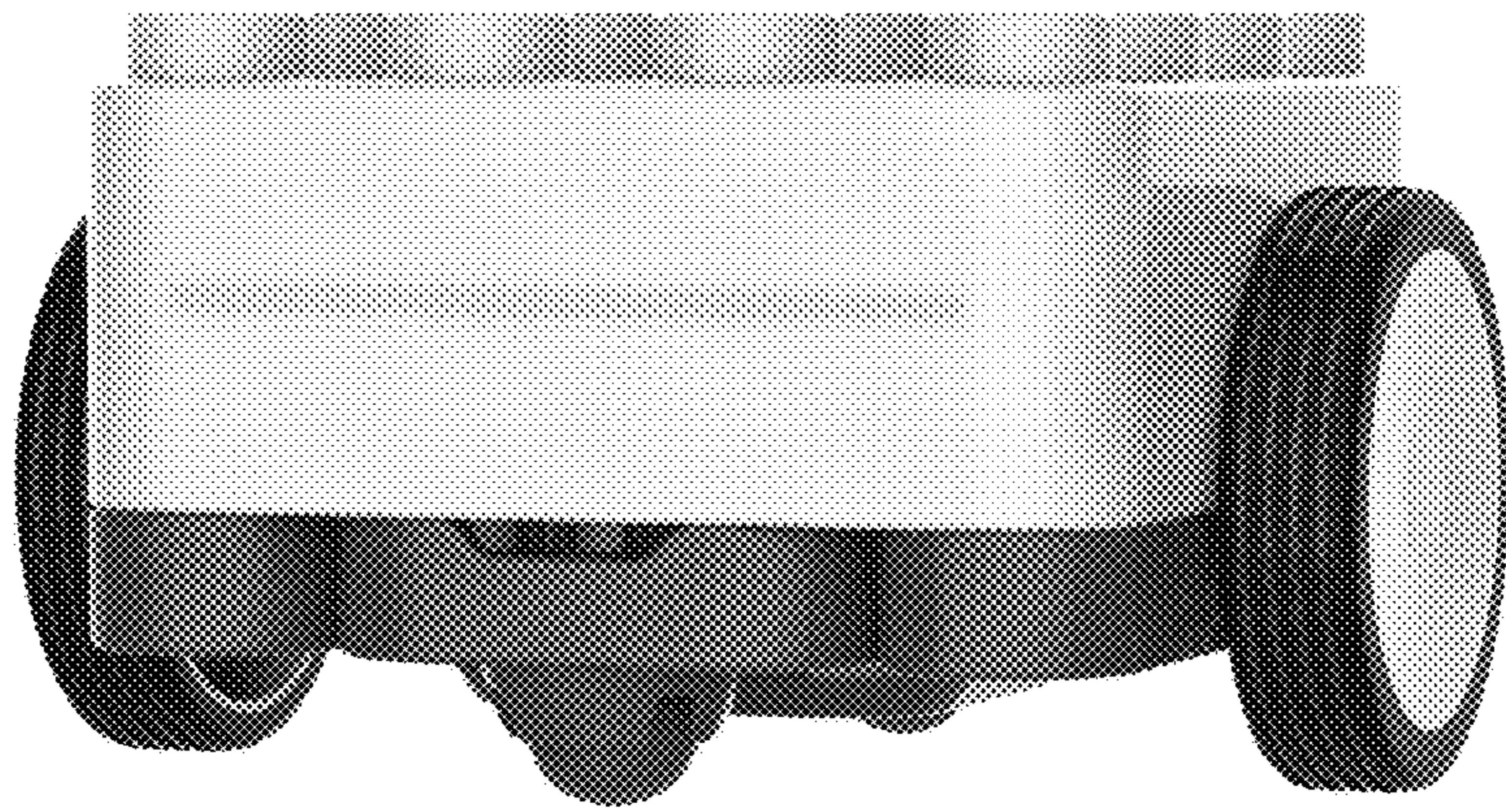


FIG. 2

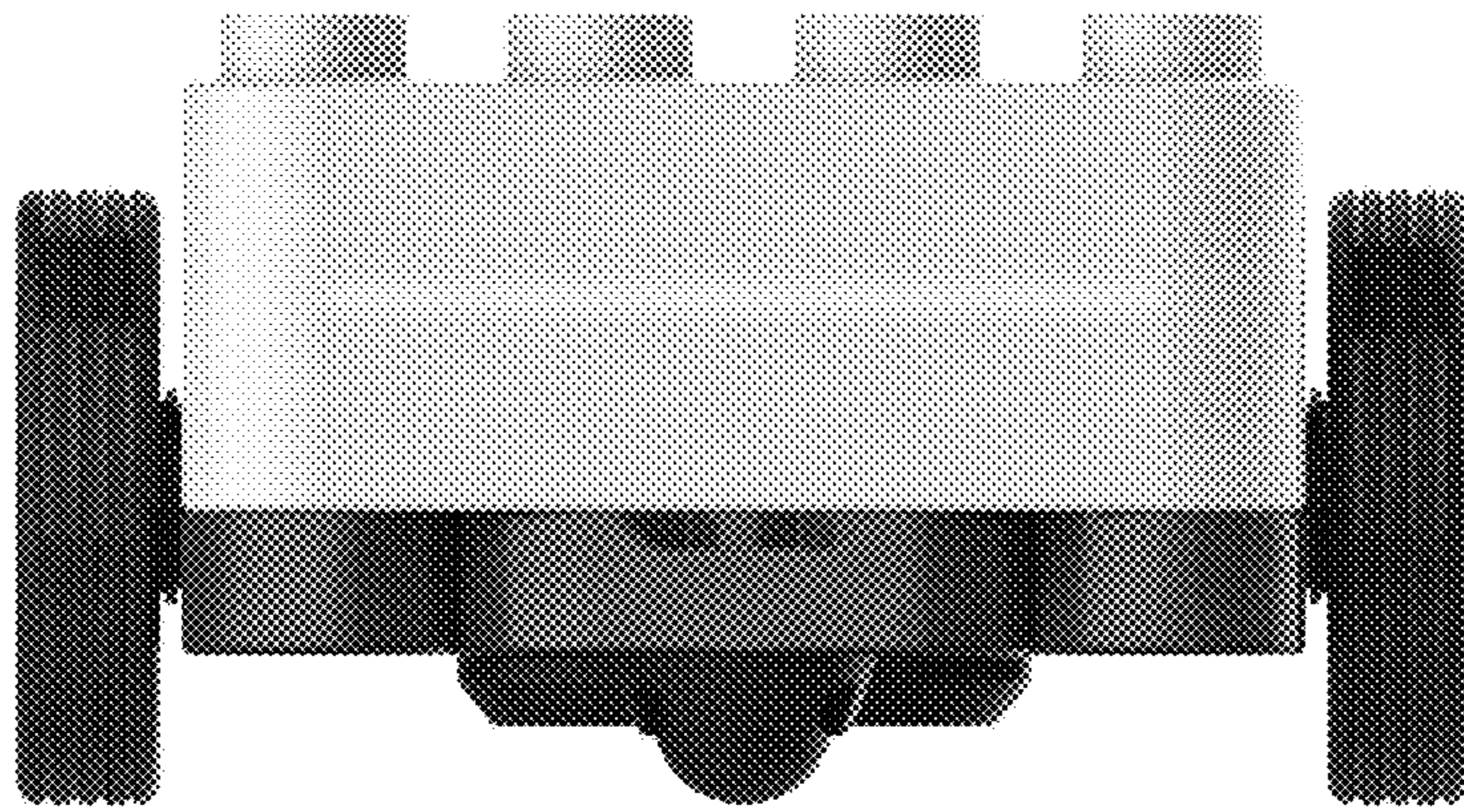


FIG. 3

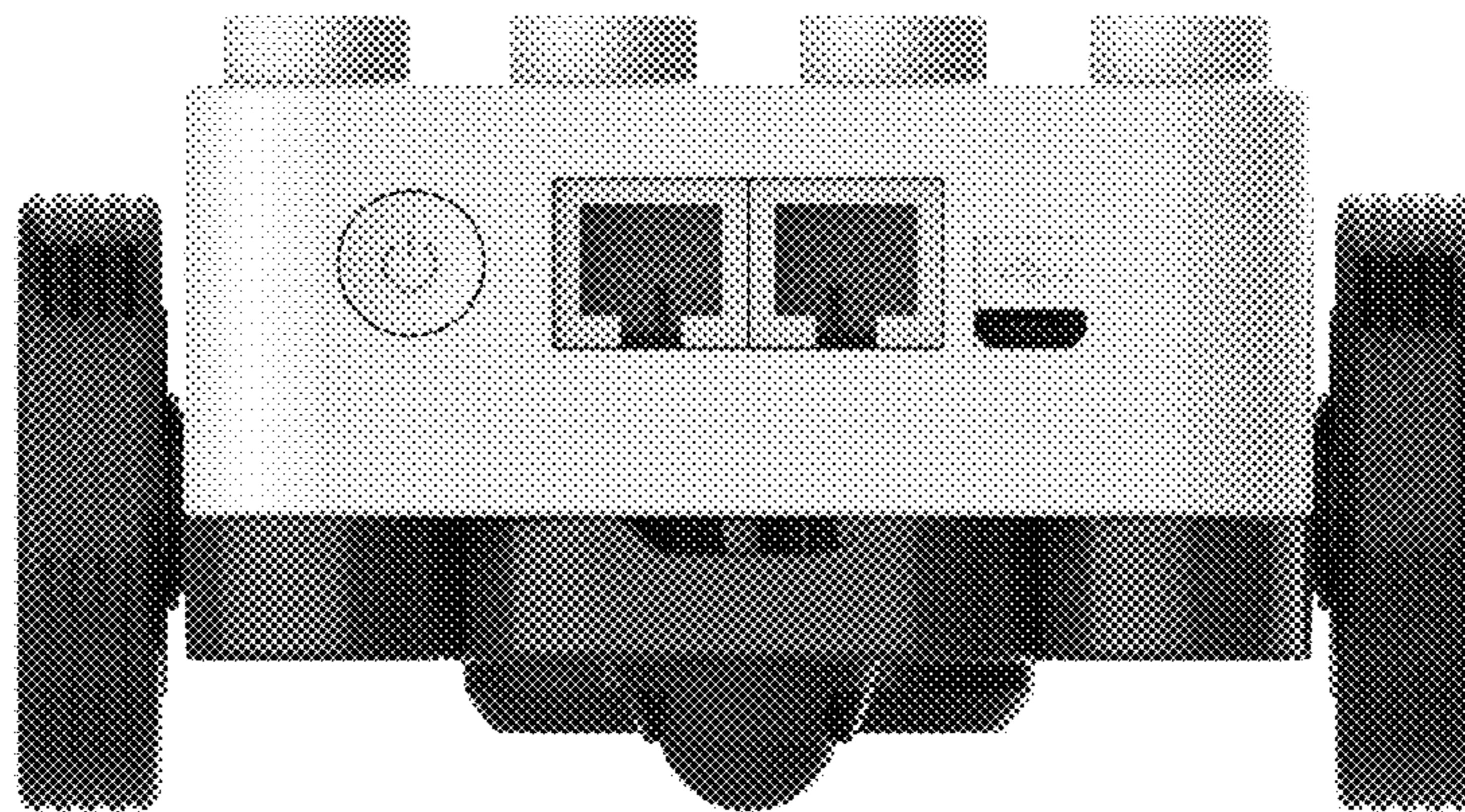


FIG. 4

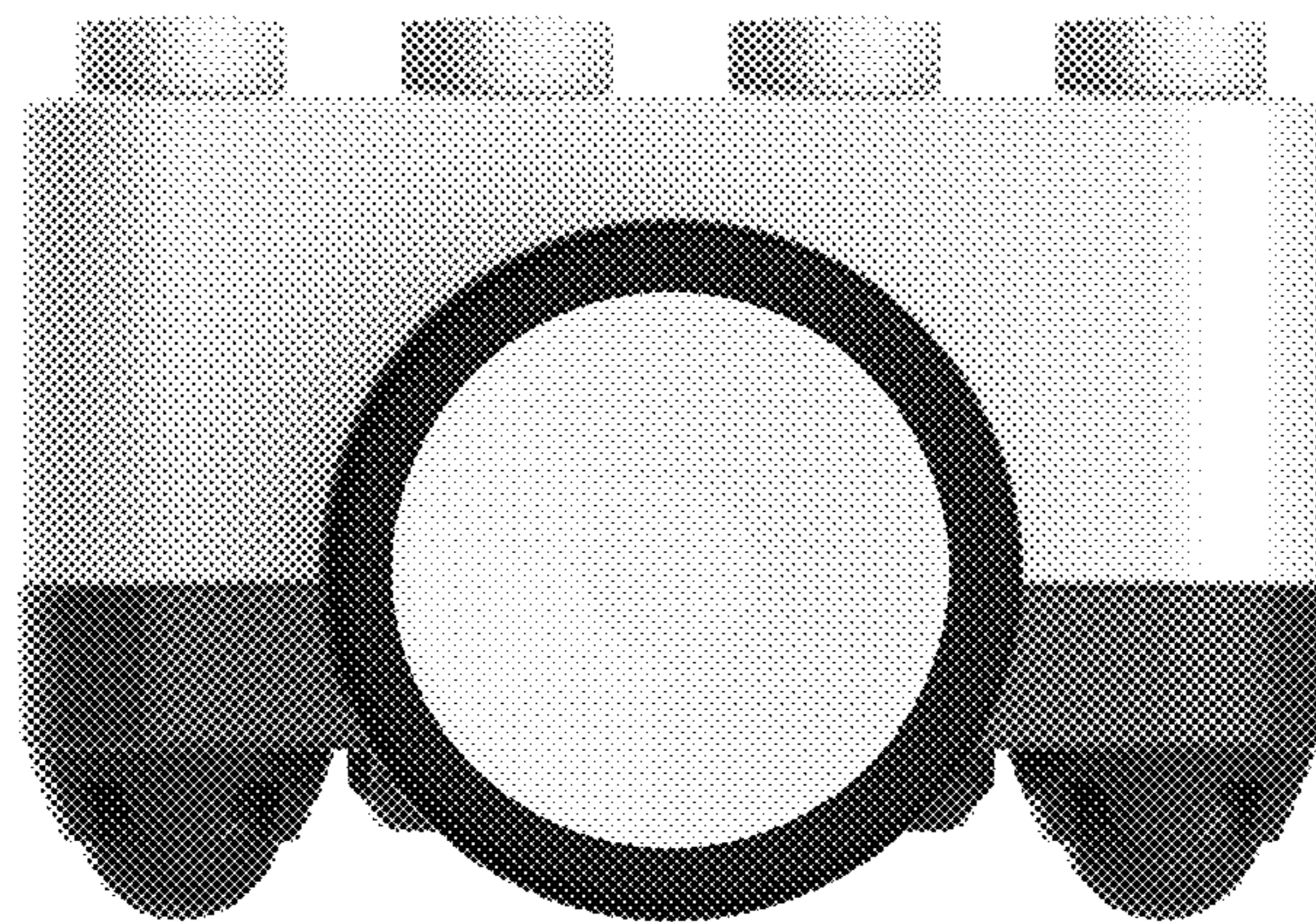


FIG. 5

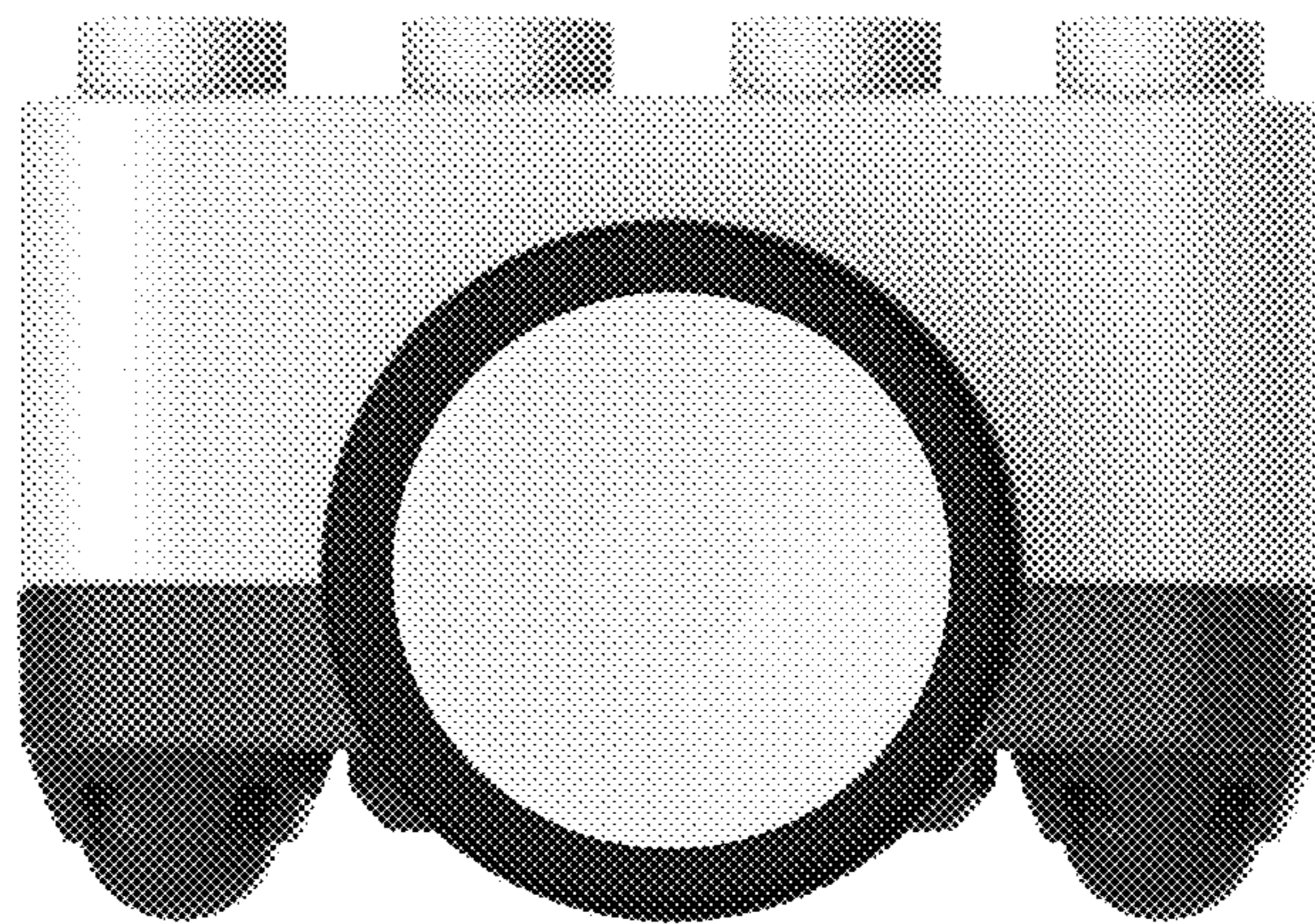


FIG. 6

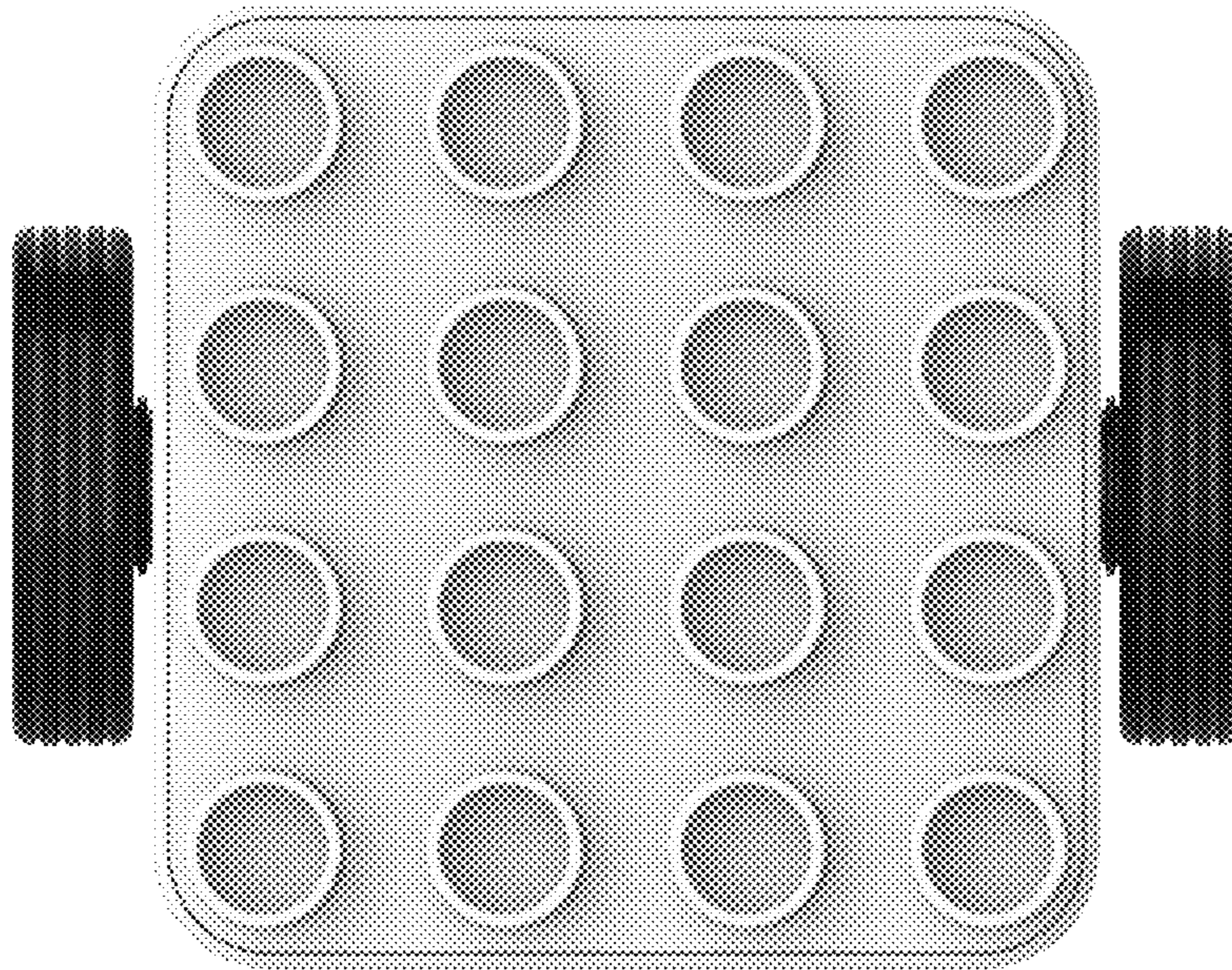


FIG. 7



FIG. 8