



US00D854626S

(12) **United States Design Patent** (10) **Patent No.:** **US D854,626 S**
Horikoshi et al. (45) **Date of Patent:** **** Jul. 23, 2019**

- (54) **SPINNING TOP TOY**
 (71) Applicant: **TOMY COMPANY, LTD.**, Tokyo (JP)
 (72) Inventors: **Kenji Horikoshi**, Tokyo (JP); **Makoto Muraki**, Tokyo (JP)
 (73) Assignee: **TOMY COMPANY, LTD.**, Tokyo (JP)
 (**) Term: **15 Years**
 (21) Appl. No.: **29/642,761**
 (22) Filed: **Apr. 2, 2018**

D837,899 S * 1/2019 Narita D21/460
 2003/0064660 A1 * 4/2003 Matsukawa A63F 3/00895
 446/256
 2017/0203218 A1 * 7/2017 Muraki A63H 1/00

FOREIGN PATENT DOCUMENTS

CN	303359339	*	9/2015	
CN	303817129	*	8/2016	
CN	303826964	*	8/2016	
CN	303950984	*	11/2016	
EM	003318252-0005	*	8/2016	
EM	003534551-0001	*	1/2017	
JP	6111365	B1 *	4/2017 A63H 1/02
JP	6232112	B1 *	11/2017 A63H 1/04
JP	6250202	B1 *	12/2017 A63H 1/00

* cited by examiner

Primary Examiner — Catherine A Tuttle
 (74) *Attorney, Agent, or Firm* — Oliff PLC

- (30) **Foreign Application Priority Data**
 Oct. 2, 2017 (JP) 2017-021750
 (51) **LOC (11) Cl.** **21-01**
 (52) **U.S. Cl.**
 USPC **D21/460**
 (58) **Field of Classification Search**
 USPC D21/455-464; 446/236-266
 CPC A63H 1/00-32
 See application file for complete search history.

(57) **CLAIM**

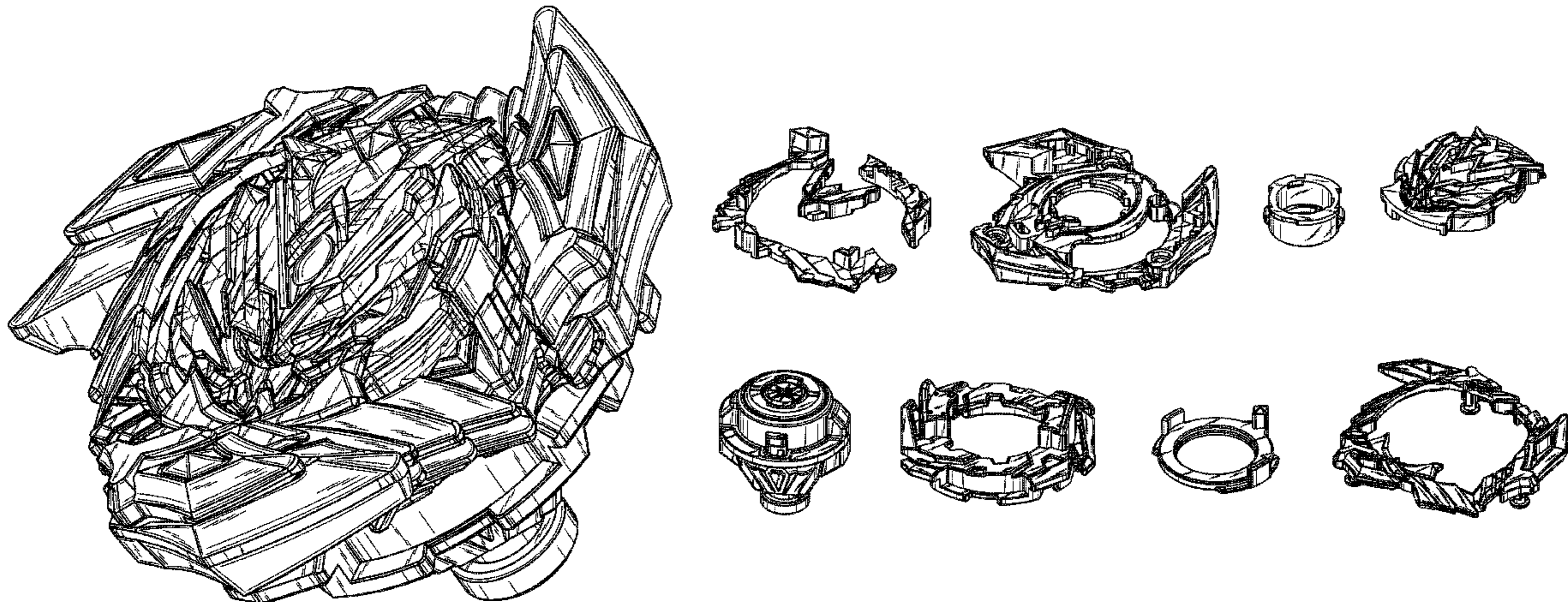
The ornamental design for a spinning top toy, as shown and described.

DESCRIPTION

FIG. 1 is a front elevational view of the spinning top toy;
 FIG. 2 is a left-side elevational view thereof;
 FIG. 3 is a rear elevational view thereof;
 FIG. 4 is a right-side elevational view thereof;
 FIG. 5 is a top plan view thereof;
 FIG. 6 is a bottom plan view thereof;
 FIG. 7 is a front, top, right-side perspective view thereof;
 FIG. 8 is a disassembled front, top, right-side perspective view thereof; and,
 FIG. 9 is a disassembled rear, bottom and left-side perspective view thereof.

1 Claim, 9 Drawing Sheets

- (56) **References Cited**
 U.S. PATENT DOCUMENTS
 D608,842 S * 1/2010 Nishimoto D21/460
 D825,007 S * 8/2018 Muraki D21/460
 D825,670 S * 8/2018 Muraki D21/460
 D827,043 S * 8/2018 Muraki D21/460
 D827,044 S * 8/2018 Horikoshi D21/460
 D834,103 S * 11/2018 Horikoshi D21/460
 D835,209 S * 12/2018 Hashiba D21/460
 D835,724 S * 12/2018 Muraki D21/460
 D837,305 S * 1/2019 Shindo D21/460



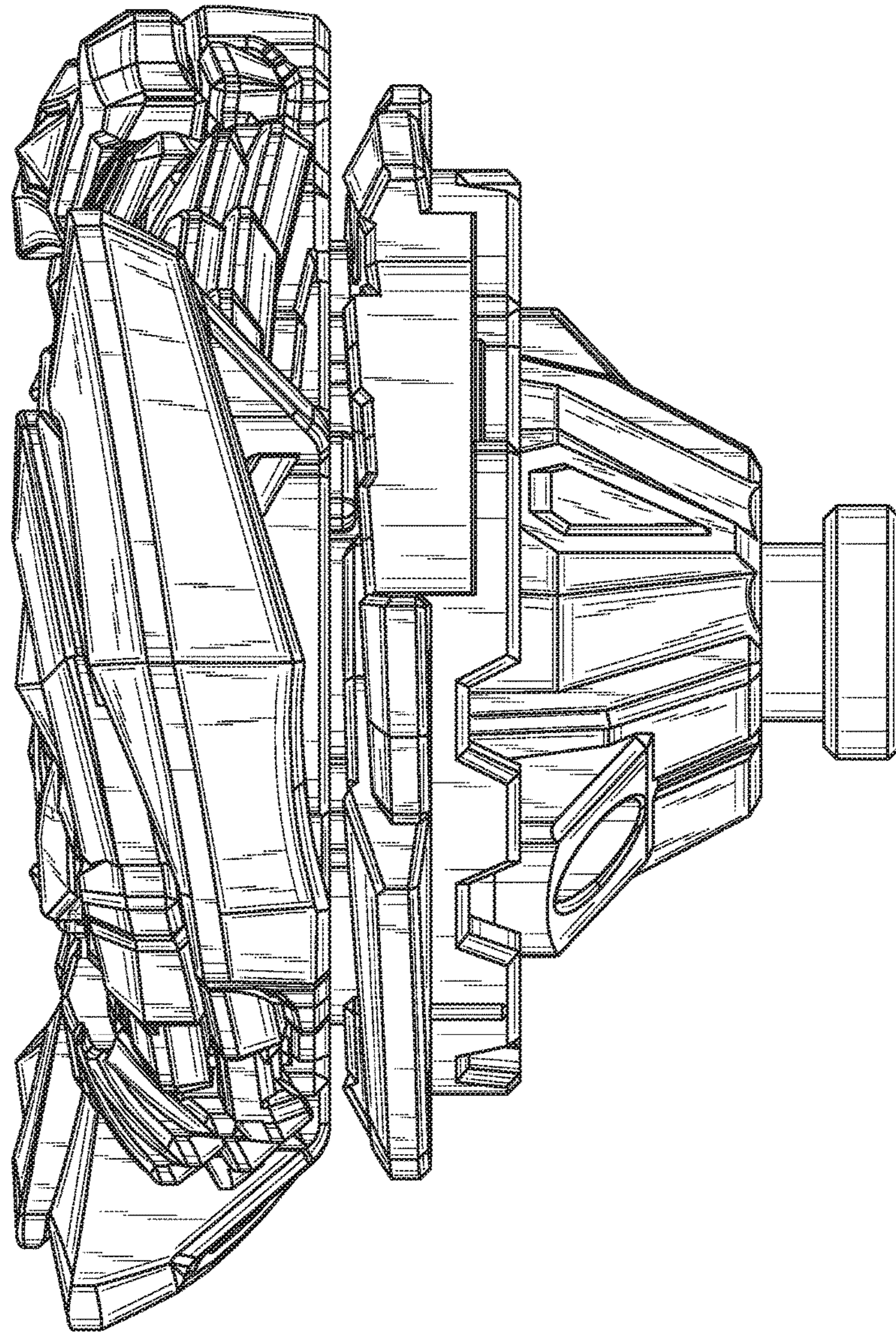


FIG. 1

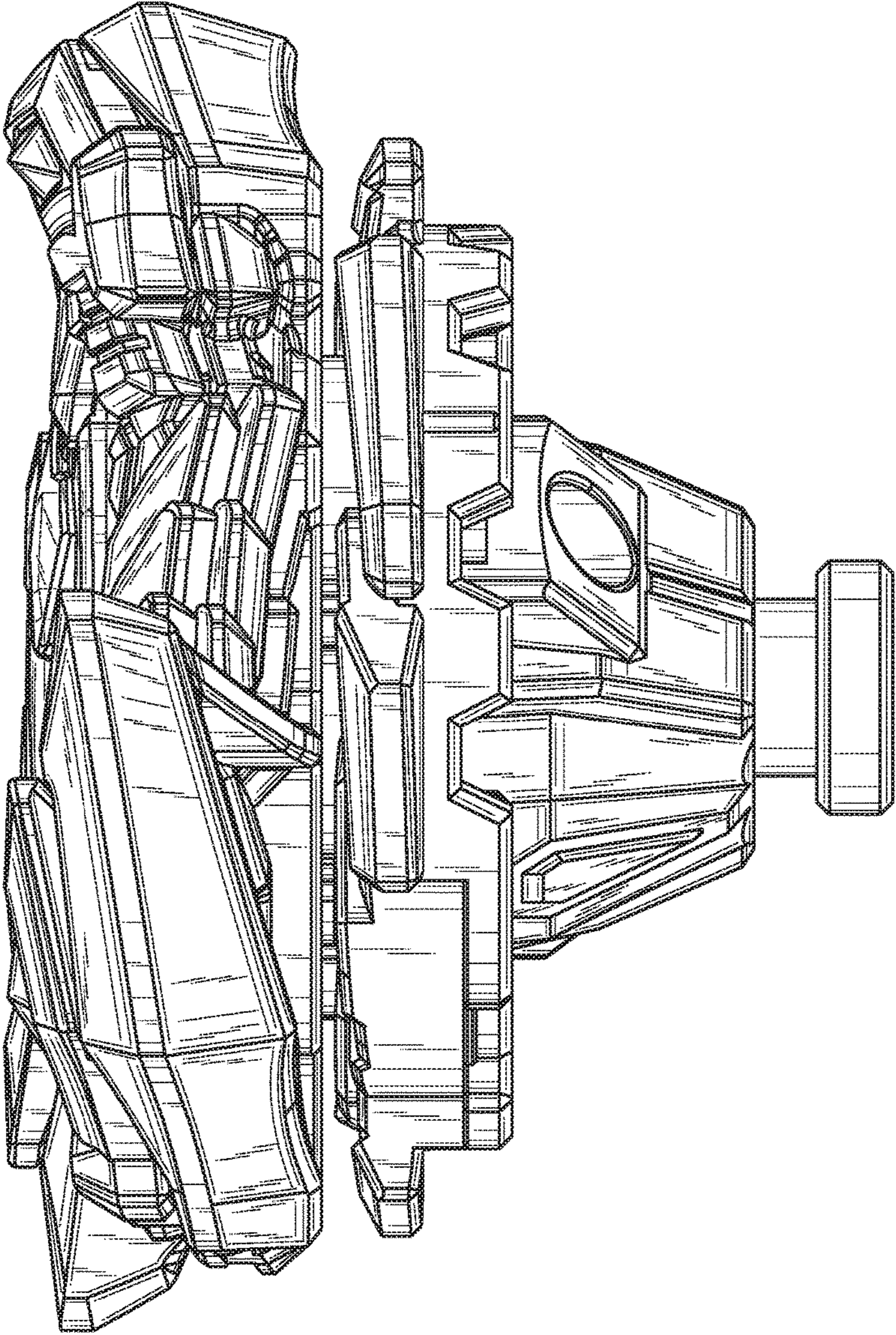


FIG. 2

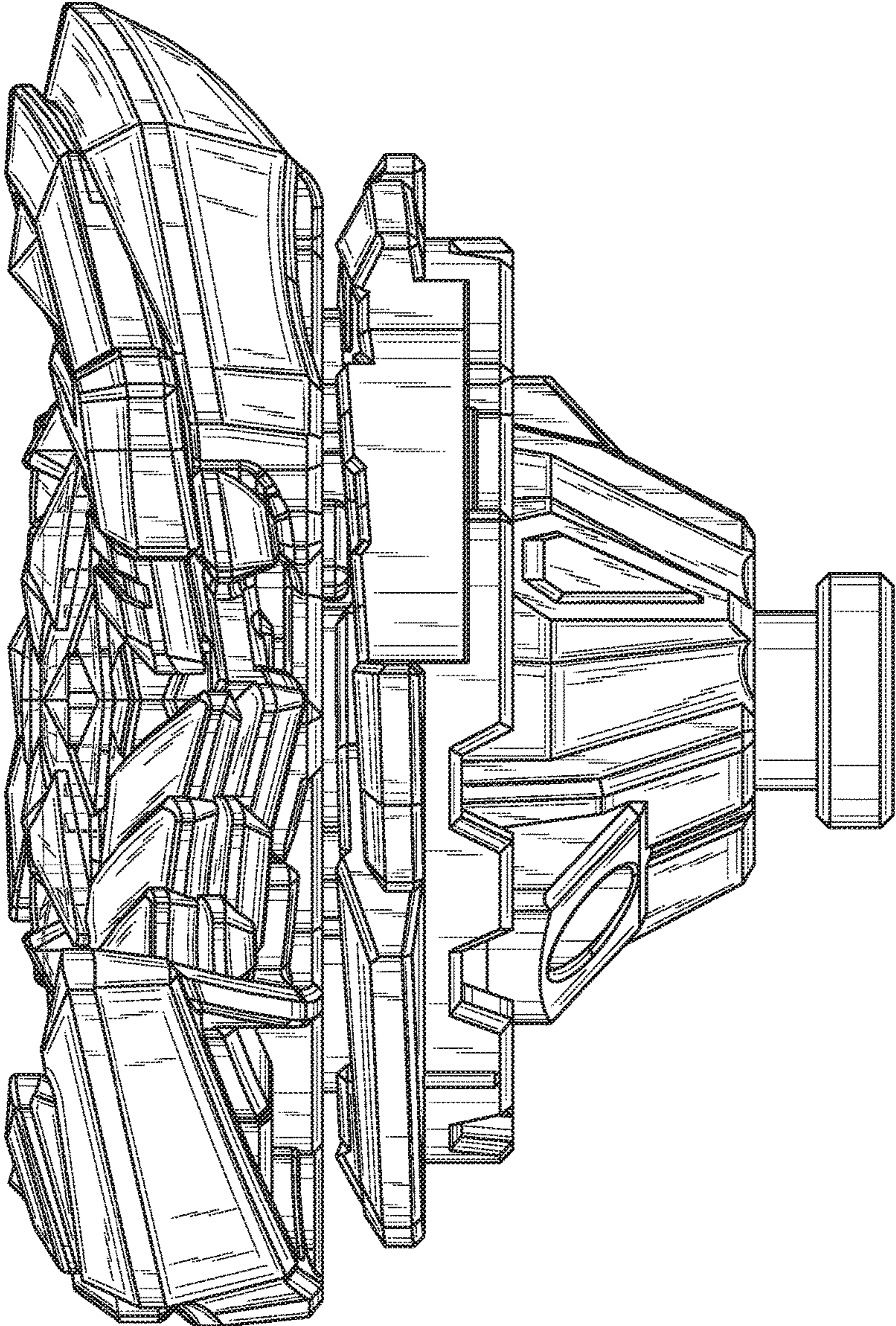


FIG. 3

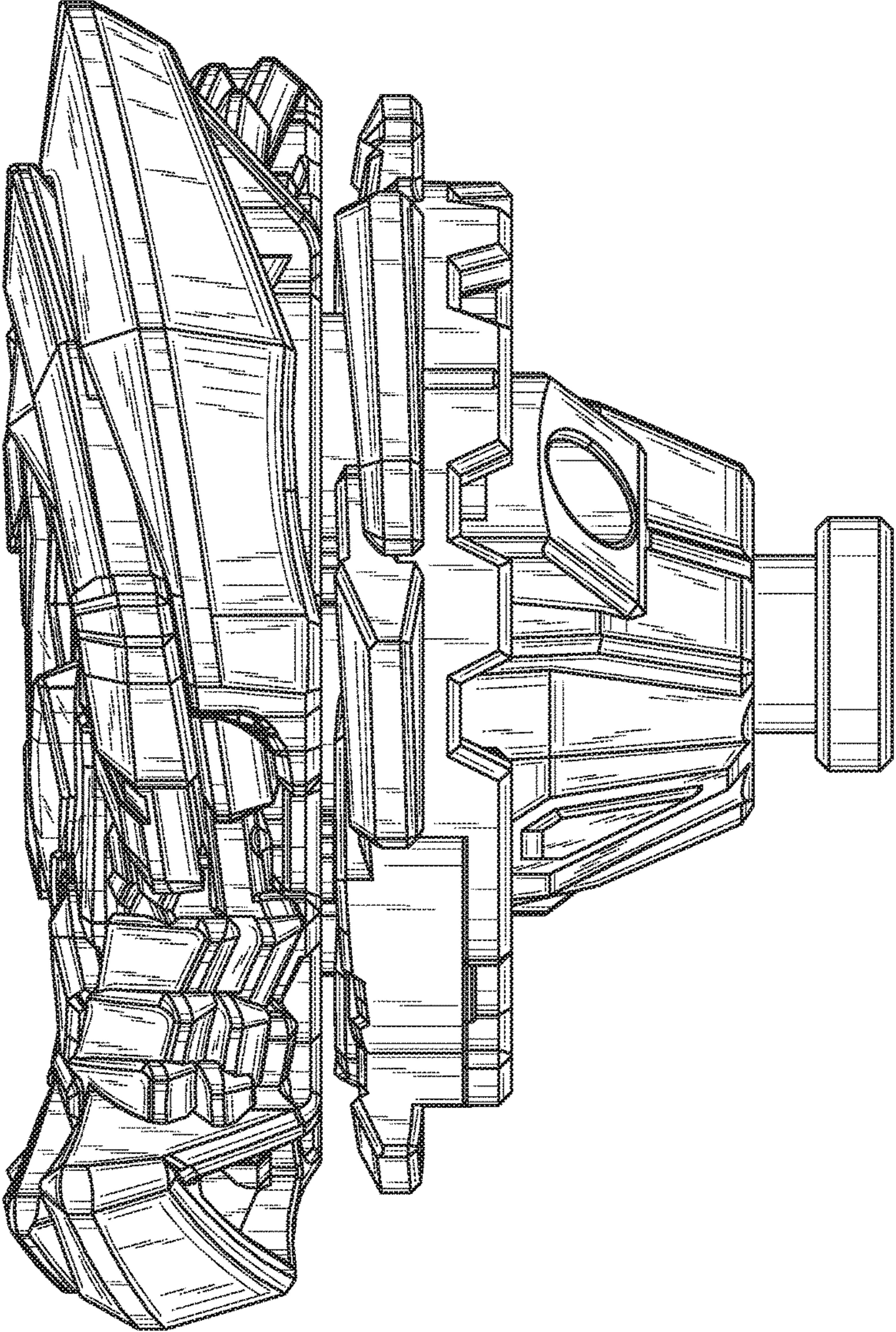


FIG. 4

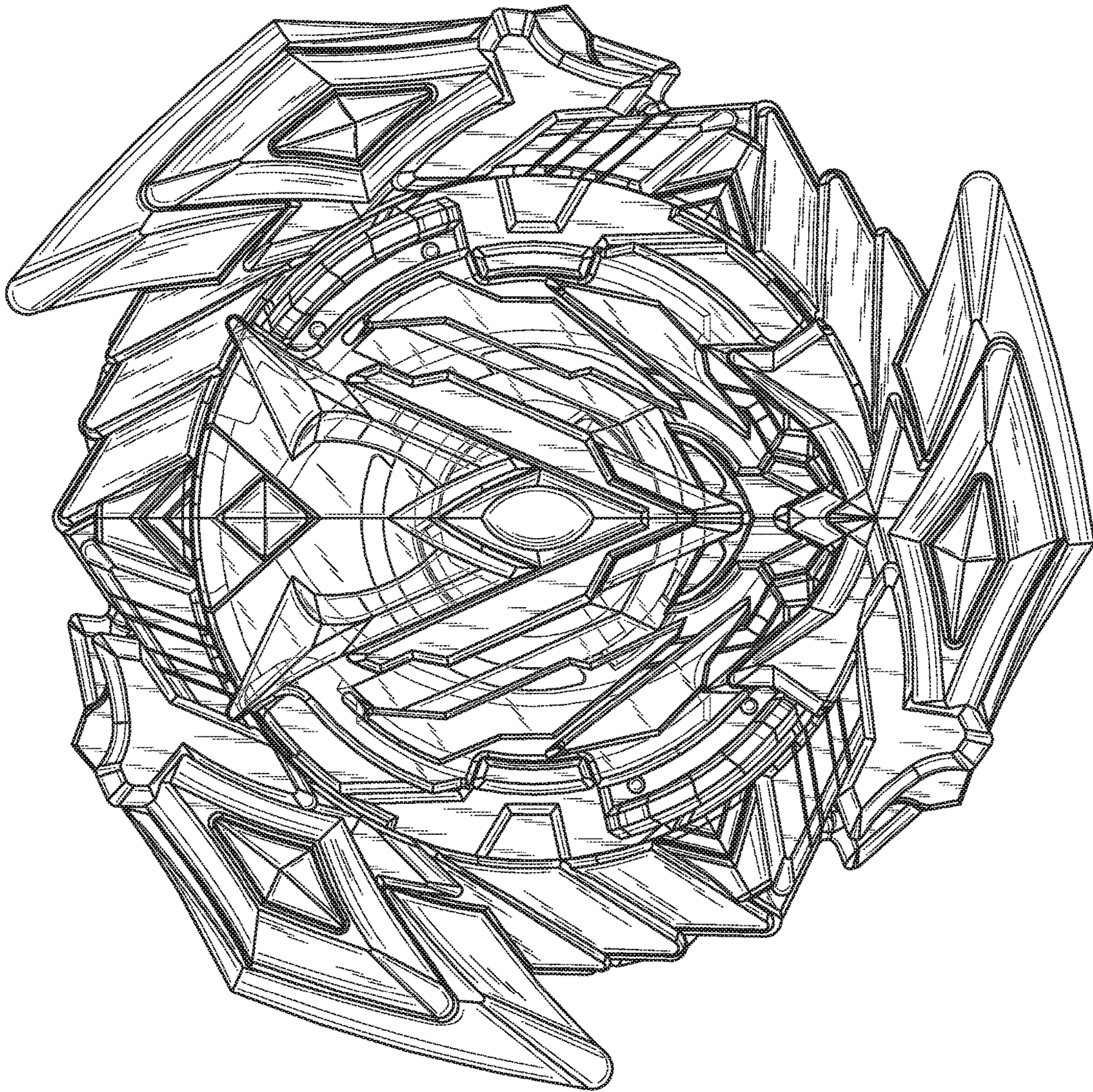


FIG. 5

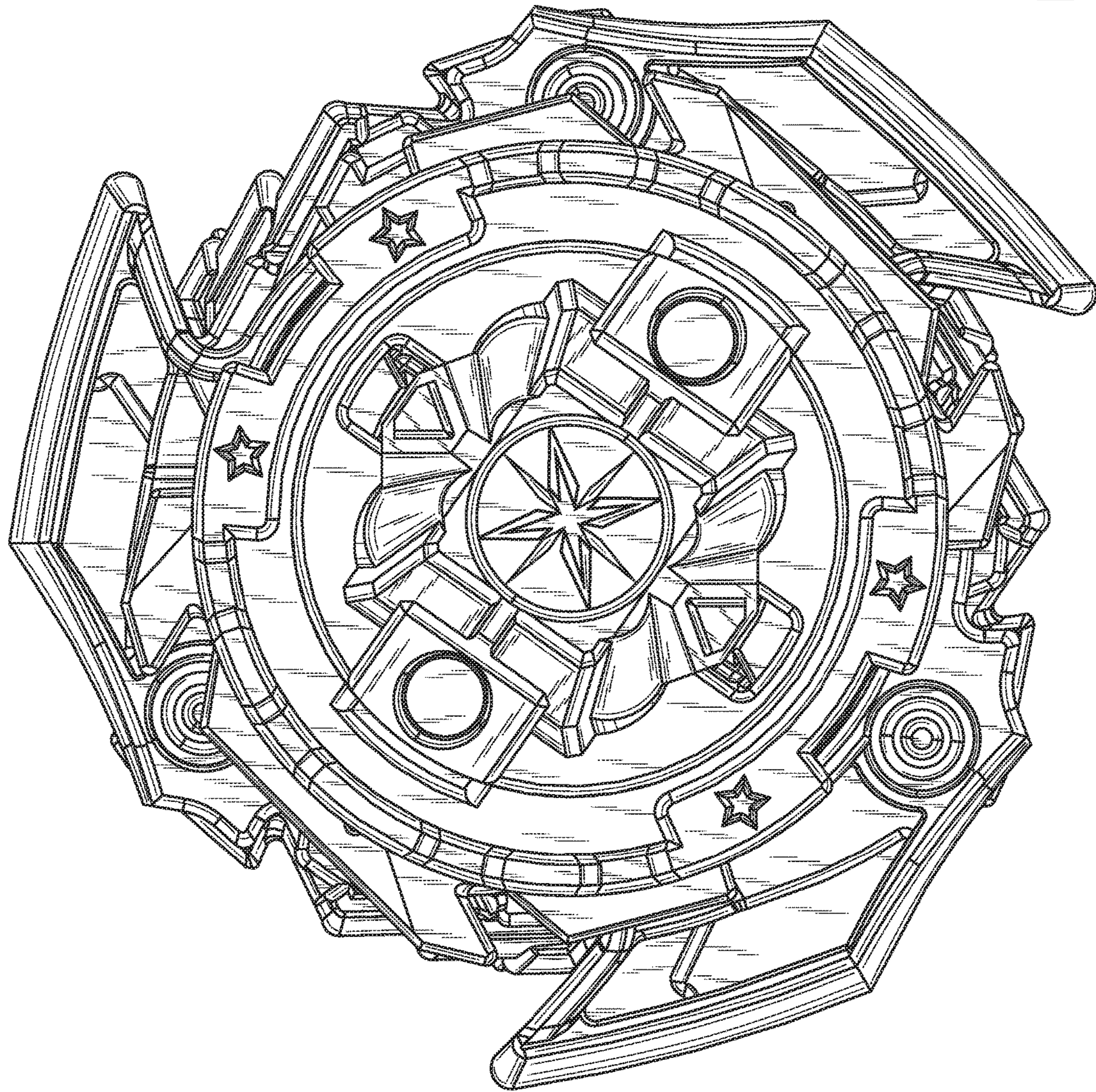


FIG. 6

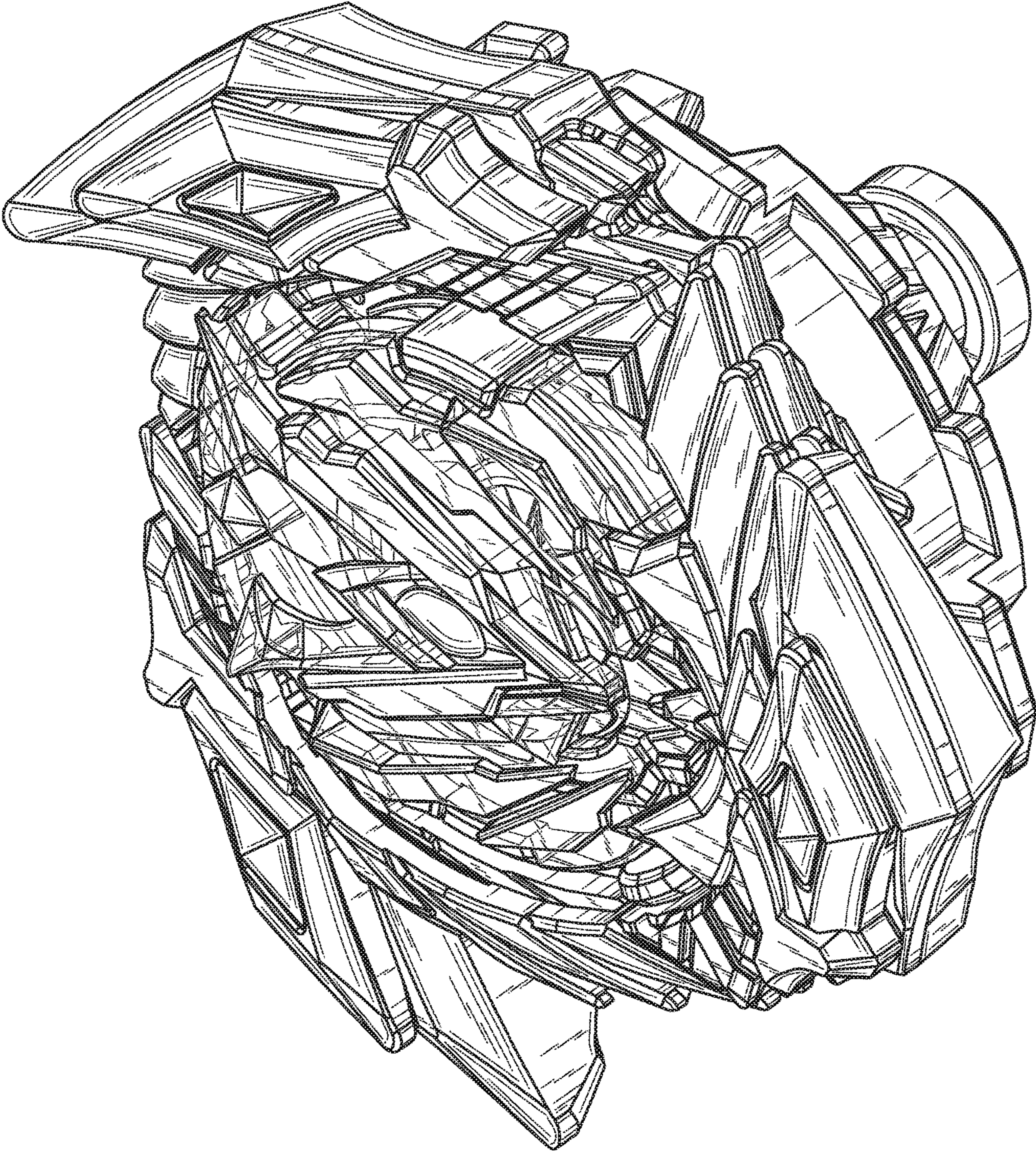


FIG. 7

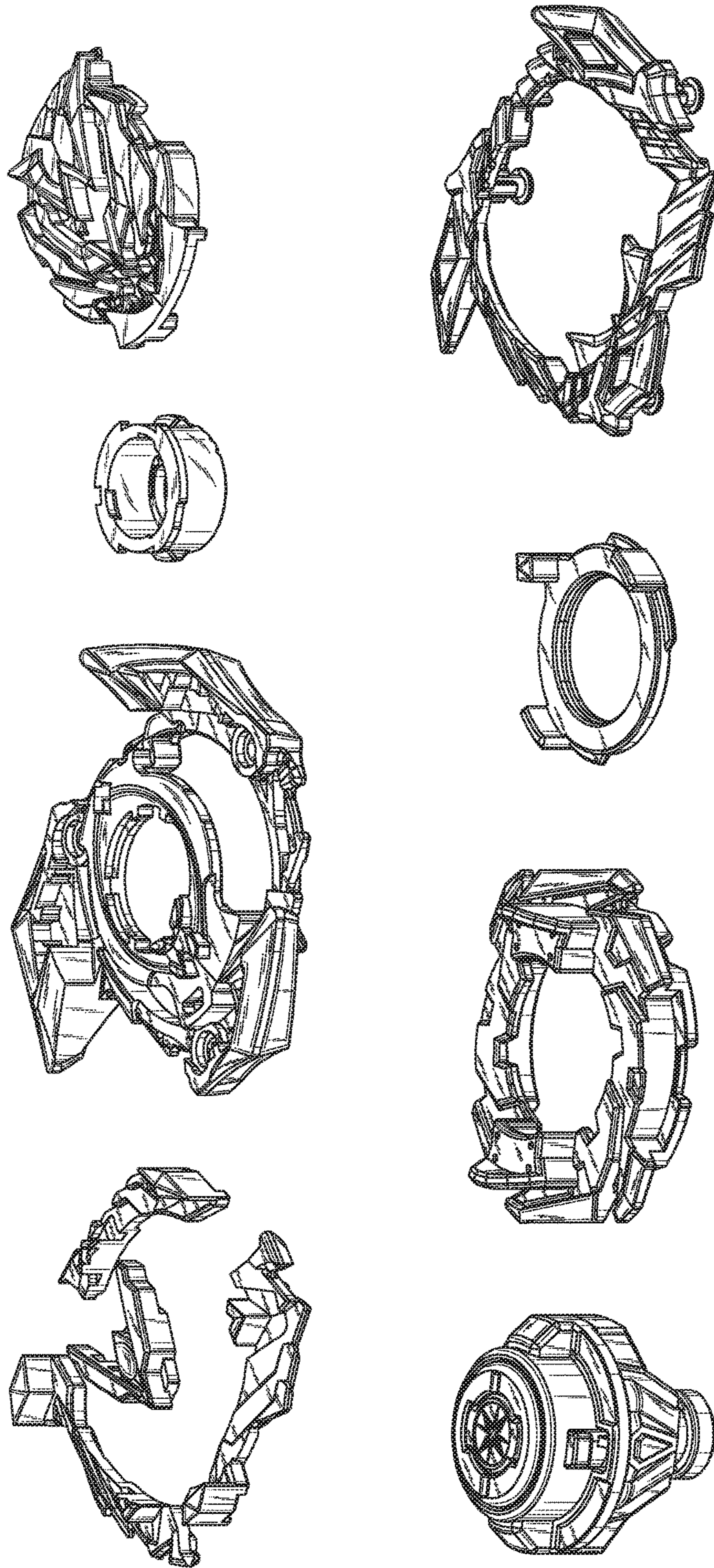


FIG. 8

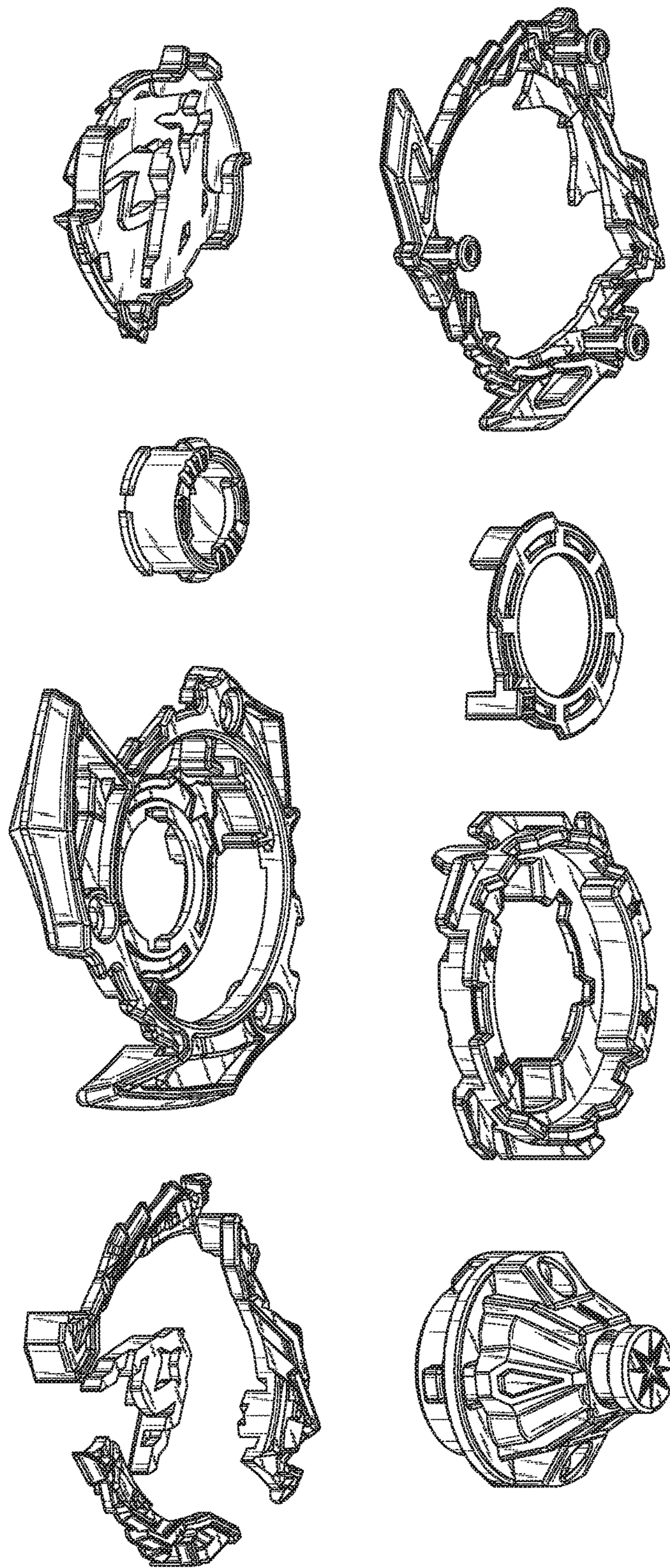


FIG. 9