



US00D854625S

(12) **United States Design Patent** (10) **Patent No.:** **US D854,625 S**  
**Hendrickson-Santospago et al.** (45) **Date of Patent:** **\*\* Jul. 23, 2019**

(54) **PINWHEEL** 1,379,439 A \* 5/1921 Bott ..... A63H 33/40  
416/227 R  
(71) Applicant: **Art Design Works LLC**, Lexington, MA (US) 1,559,696 A \* 11/1925 Heberling ..... A63H 33/40  
446/217  
1,583,881 A \* 5/1926 Heberling ..... A63H 33/40  
446/218  
(72) Inventors: **Karen Hendrickson-Santospago**, Arlington, MA (US); **Sara Casilio**, Sudbury, MA (US) D71,946 S \* 2/1927 Short ..... D21/458  
2,098,107 A \* 11/1937 Preston ..... F04D 29/382  
416/214 R  
2,510,336 A \* 6/1950 Donahue ..... A63H 33/40  
446/217  
(73) Assignee: **Art Design Works LLC**, Lexington, MA (US) D253,776 S 12/1979 Molenaar  
D331,785 S 12/1992 Mast  
5,395,276 A \* 3/1995 Valentino ..... A63H 27/10  
446/217  
(\*\*) Term: **15 Years**

(Continued)

(21) Appl. No.: **29/625,050**

(22) Filed: **Nov. 6, 2017**

(51) **LOC (11) Cl.** ..... **21-01**

(52) **U.S. Cl.**  
USPC ..... **D21/458**

(58) **Field of Classification Search**  
USPC ..... D21/446, 450, 453, 455, 458, 467, 484,  
D21/489, 490, 492, 493, 496, 503;  
D11/117, 121, 124, 125, 141, 142, 184;  
D23/413; D2/976; 446/102, 217, 218,  
446/201, 213, 236-238, 243, 244, 487,  
446/488; 428/4, 5, 7, 8, 9, 11, 12;  
416/227 R; 223/46  
CPC .. A63H 33/065; A63H 33/102; A63H 33/108;  
A63H 33/16; A63H 33/22; A63H 33/40;  
D04D 7/10; F03D 3/061  
See application file for complete search history.

(56) **References Cited**

**U.S. PATENT DOCUMENTS**

603,703 A \* 5/1898 O'Connor ..... B64C 11/48  
416/200 R  
D53,469 S \* 6/1919 Samour ..... D21/458  
1,352,674 A \* 9/1920 Mitchel ..... A63H 33/40  
446/218

**FOREIGN PATENT DOCUMENTS**

DE 29921868 U1 \* 4/2000 ..... A63H 33/40  
KR 300479118.0000 \* 2/2008

(Continued)

*Primary Examiner* — Catherine A Tuttle  
(74) *Attorney, Agent, or Firm* — Wolf, Greenfield & Sacks, P.C.

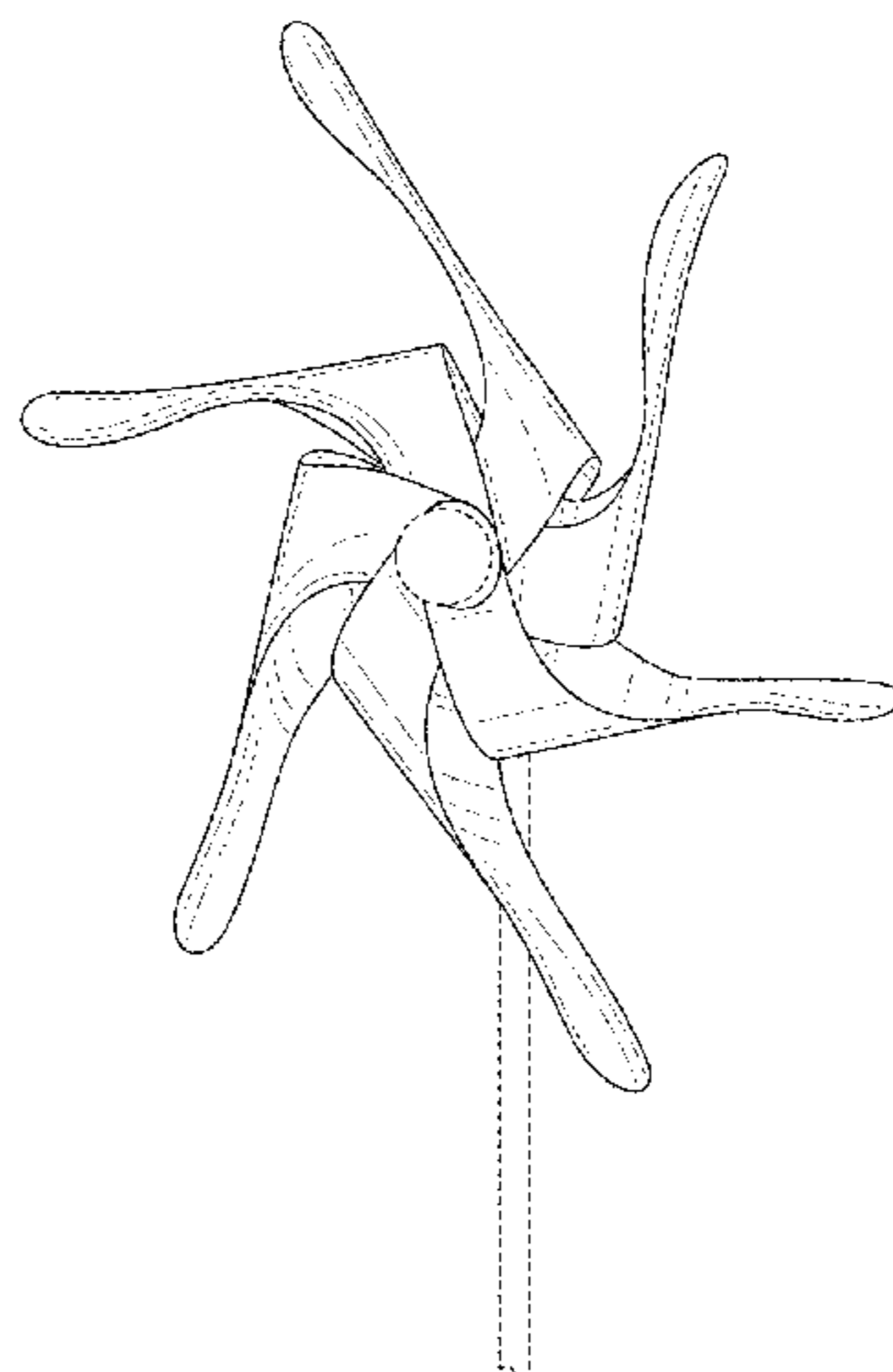
(57) **CLAIM**

The ornamental design for a pinwheel, as shown and described.

**DESCRIPTION**

FIG. 1 is a front, right-side, perspective view of a pinwheel according to my new design;  
FIG. 2 is a front elevation view thereof;  
FIG. 3 is a rear elevation view thereof;  
FIG. 4 is a left side elevation view thereof;  
FIG. 5 is a right side elevation view thereof;  
FIG. 6 is a top plan view thereof; and,  
FIG. 7 is a bottom plan view thereof.  
The broken lines are portions of the pinwheel that form no part of the claimed design.

**1 Claim, 7 Drawing Sheets**



(56)

**References Cited**

U.S. PATENT DOCUMENTS

6,082,868 A \* 7/2000 Carpenter ..... F04D 29/38  
362/96  
D437,894 S \* 2/2001 Johann ..... D21/458  
D441,316 S \* 5/2001 Burghoffer ..... D11/184  
6,716,082 B1 \* 4/2004 Chen Pan ..... A63H 33/40  
446/217  
7,008,171 B1 \* 3/2006 Whitworth ..... F03D 3/061  
415/4.2  
D709,281 S 7/2014 Pearson  
D839,000 S \* 1/2019 Casilio ..... D5/63

FOREIGN PATENT DOCUMENTS

KR 300919604.0000 \* 8/2017  
WO WO-2008133407 A1 \* 11/2008 ..... A63H 33/40  
WO WO-2008133408 A1 \* 11/2008 ..... A63H 33/40

\* cited by examiner

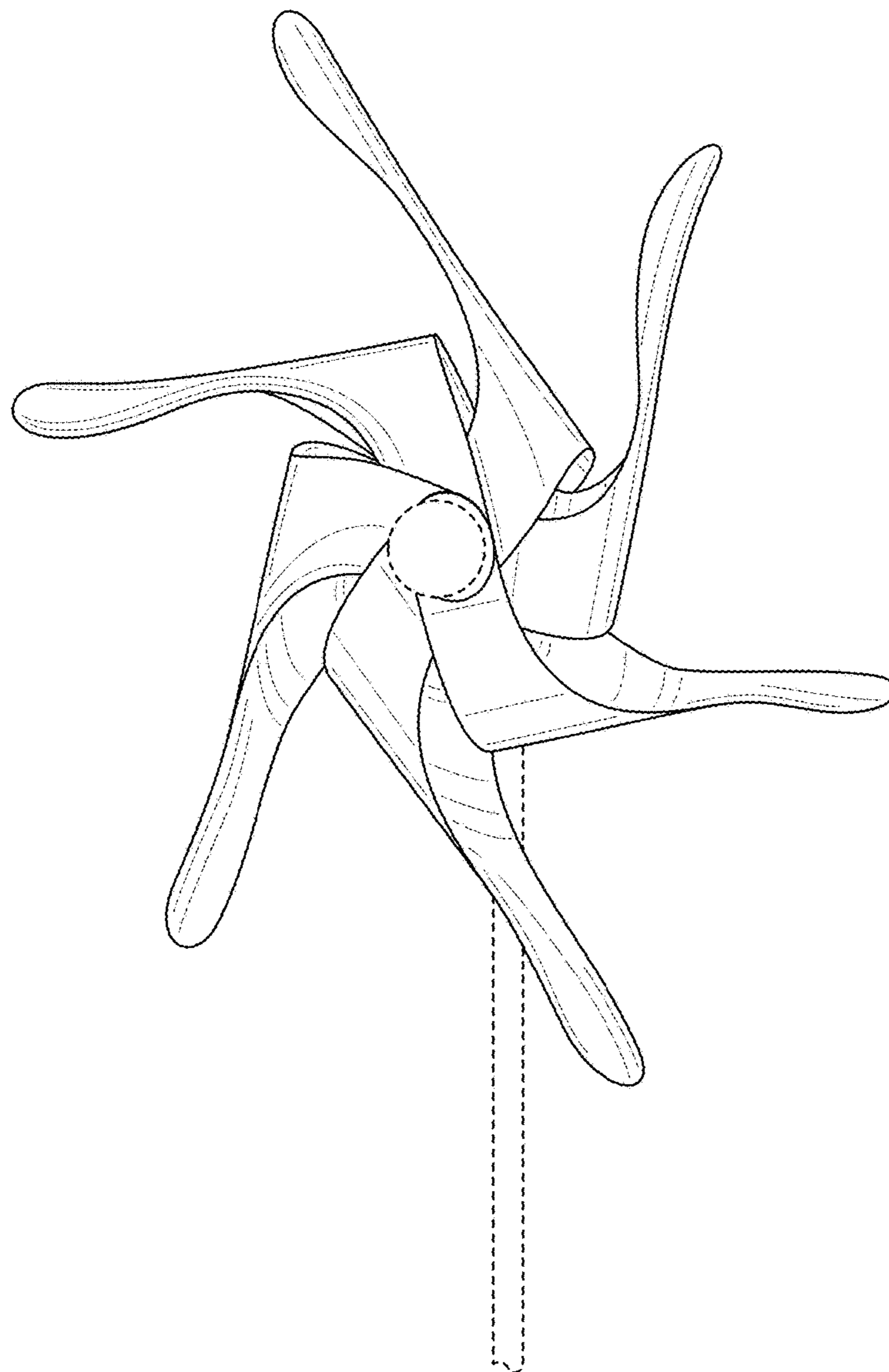


FIG. 1

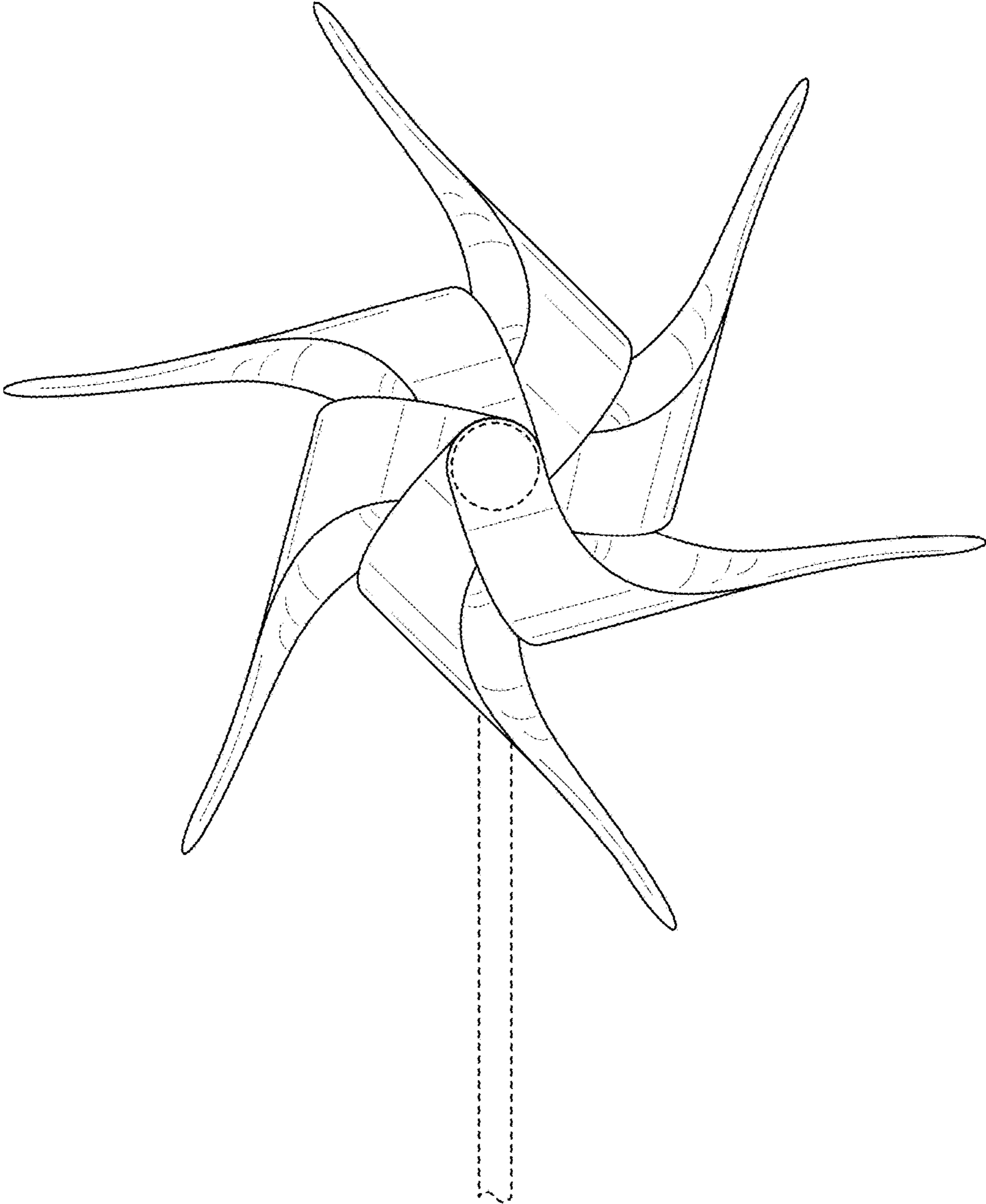


FIG. 2

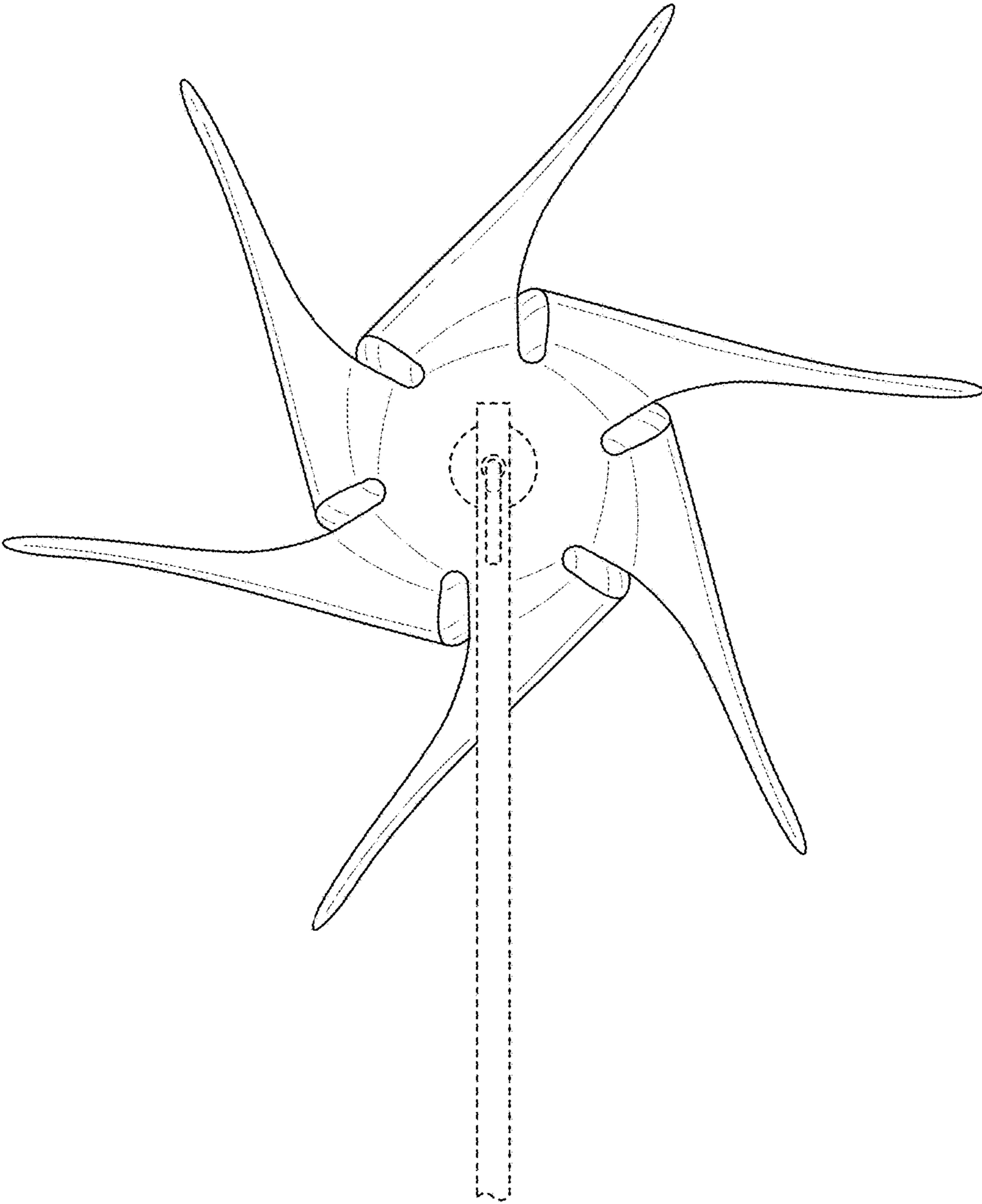


FIG. 3

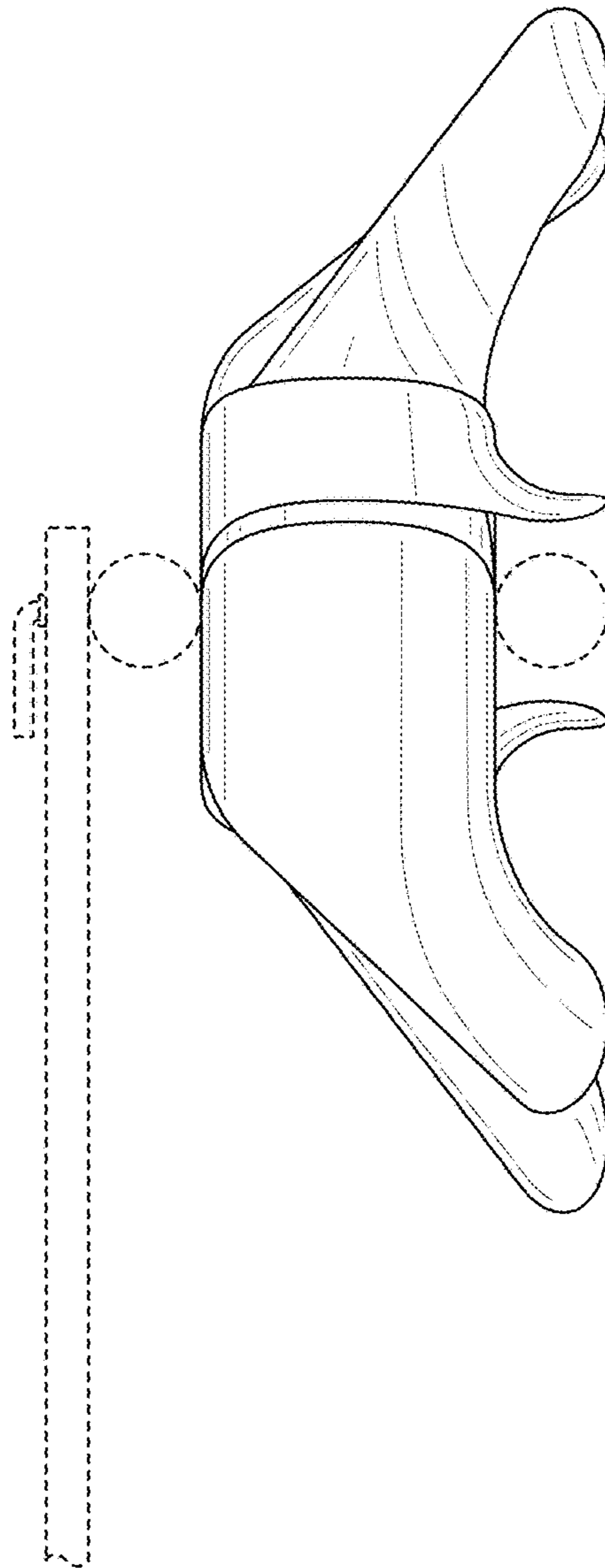


FIG. 4

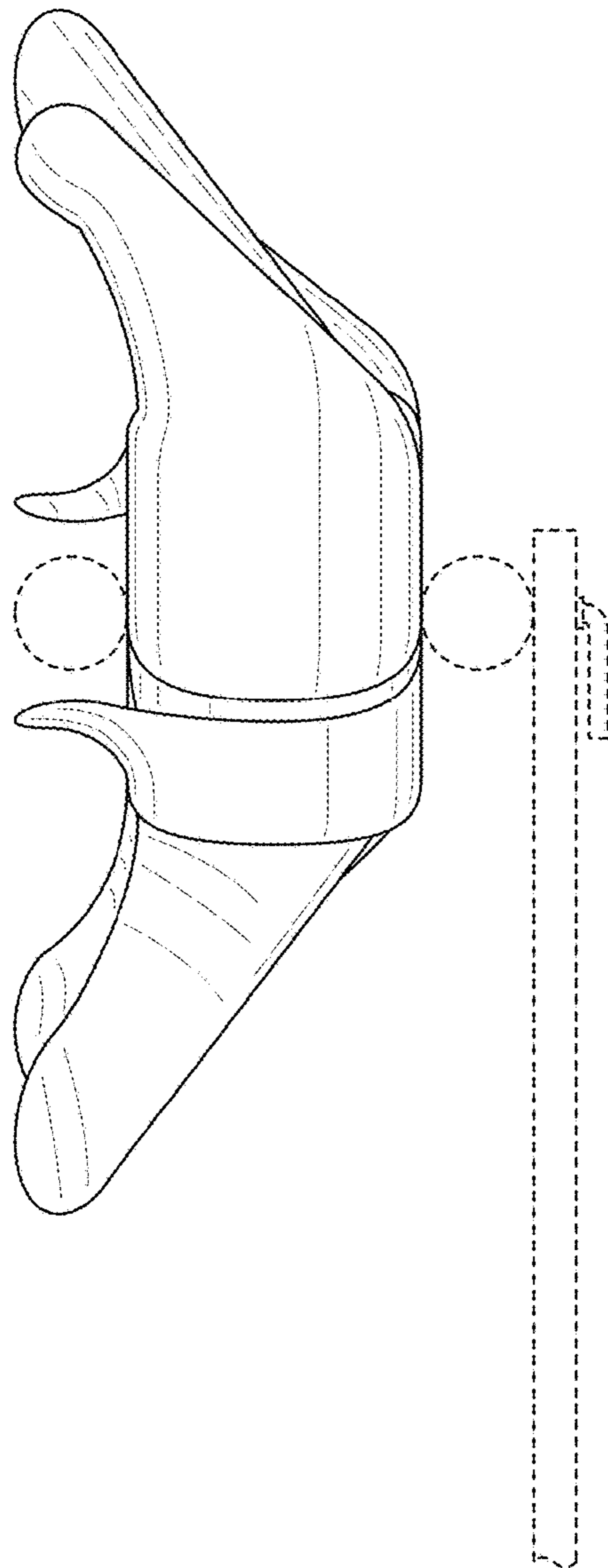


FIG. 5

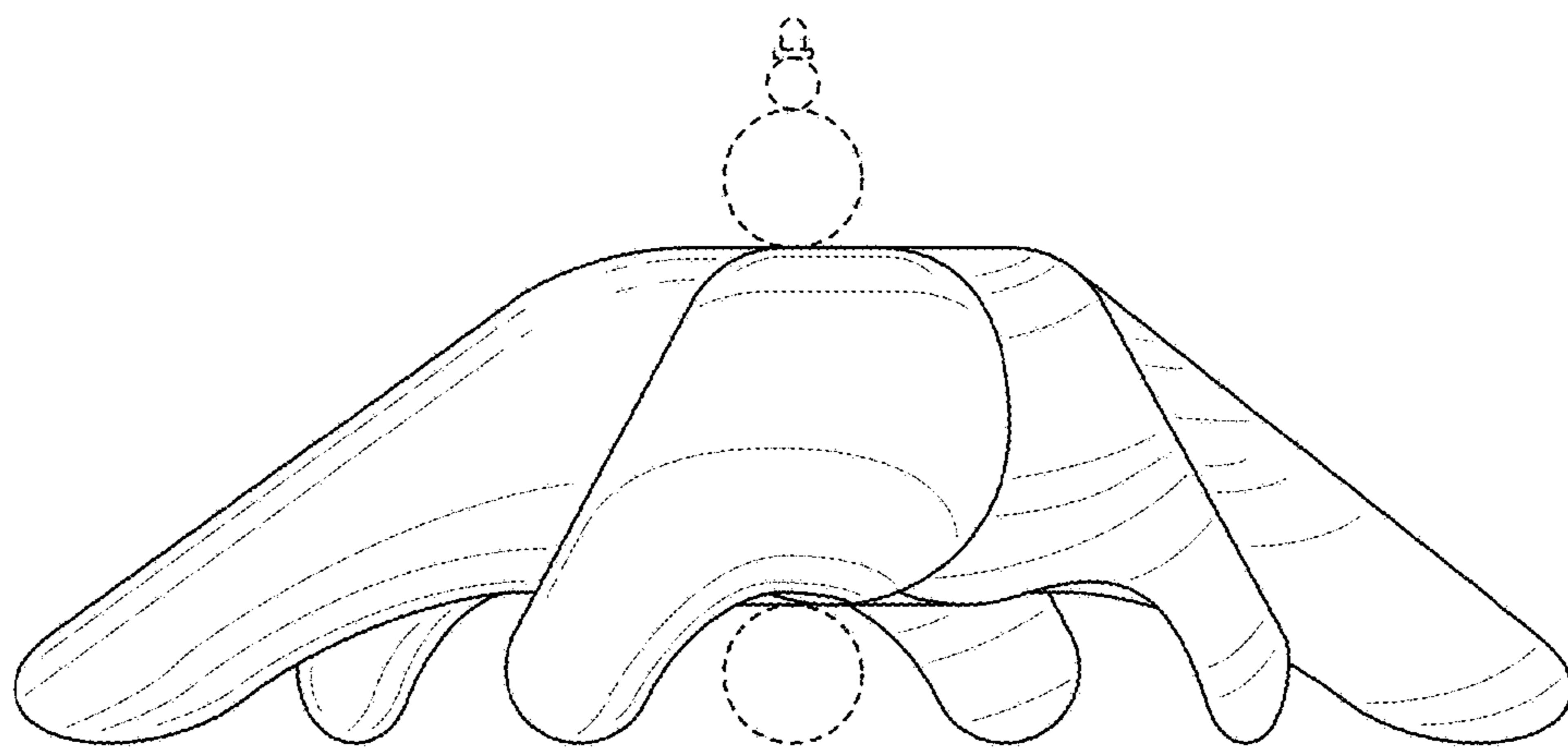


FIG. 6



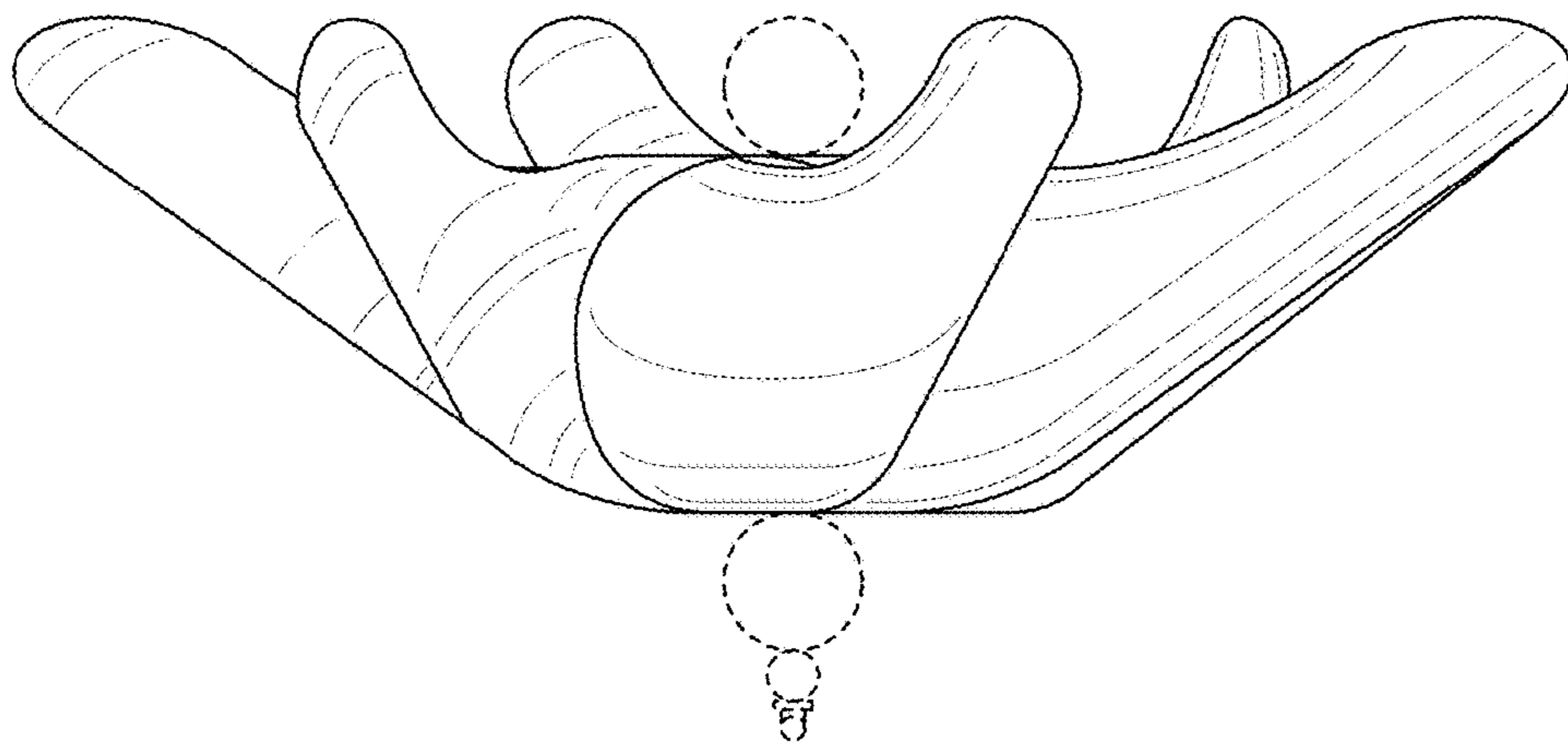


FIG. 7