



US00D854624S

(12) **United States Design Patent**  
**Talios et al.**

(10) **Patent No.:** **US D854,624 S**  
(45) **Date of Patent:** **\*\* Jul. 23, 2019**

- (54) **QUAD RIDE-ON TOY**
- (71) Applicant: **Dynacraft BSC, Inc.**, American Canyon, CA (US)
- (72) Inventors: **Bill Talios**, Petaluma, CA (US); **John Bisges**, Buford, GA (US); **David Castrucci**, Napa, CA (US)
- (73) Assignee: **Dynacraft BSC, Inc.**, Savannah, GA (US)
- (\*\*) Term: **15 Years**
- (21) Appl. No.: **29/587,295**
- (22) Filed: **Dec. 12, 2016**
- (51) **LOC (11) Cl.** ..... **21-01**
- (52) **U.S. Cl.**  
USPC ..... **D21/432; D12/107**
- (58) **Field of Classification Search**  
USPC ..... D12/3, 86, 87, 110, 107; D21/415, D21/419-435  
CPC ..... B62K 13/06; B62K 3/002; B62K 9/00; B62K 13/00; B60K 5/12; B60K 13/04; B60K 17/354  
See application file for complete search history.

D423,603 S *	4/2000	Tasy	.....	D21/424
D425,452 S *	5/2000	Mon	.....	D12/107
D427,942 S *	7/2000	Cho	.....	D12/107
D429,774 S *	8/2000	Lerch	.....	D21/432
D438,823 S *	3/2001	Luh	.....	D12/107
D446,475 S *	8/2001	Luh	.....	D12/107
D448,325 S *	9/2001	Fujieda	.....	D12/107
D452,835 S *	1/2002	Aoki	.....	D12/107
D455,684 S *	4/2002	McGuinness	.....	D12/171
D458,562 S *	6/2002	Kalhok	.....	D12/107
D464,291 S *	10/2002	Wu	.....	D12/107
D485,212 S *	1/2004	Wu	.....	D12/107
D485,213 S *	1/2004	Wu	.....	D12/107
D491,491 S *	6/2004	Luh	.....	D12/107
D511,123 S *	11/2005	Lin	.....	D12/107
D513,208 S *	12/2005	Lin	.....	D12/107
D513,396 S *	1/2006	Lin	.....	D12/107
D515,976 S *	2/2006	Lin	.....	D12/107
D515,978 S *	2/2006	Luh	.....	D12/107
D534,100 S *	12/2006	Kinoshita	.....	D12/107
D534,964 S *	1/2007	Chung	.....	D21/432

(Continued)

*Primary Examiner* — Darlington Ly  
(74) *Attorney, Agent, or Firm* — Michael Best & Friedrich LLP

(57) **CLAIM**

The ornamental design for a quad ride-on toy, as shown and described.

**DESCRIPTION**

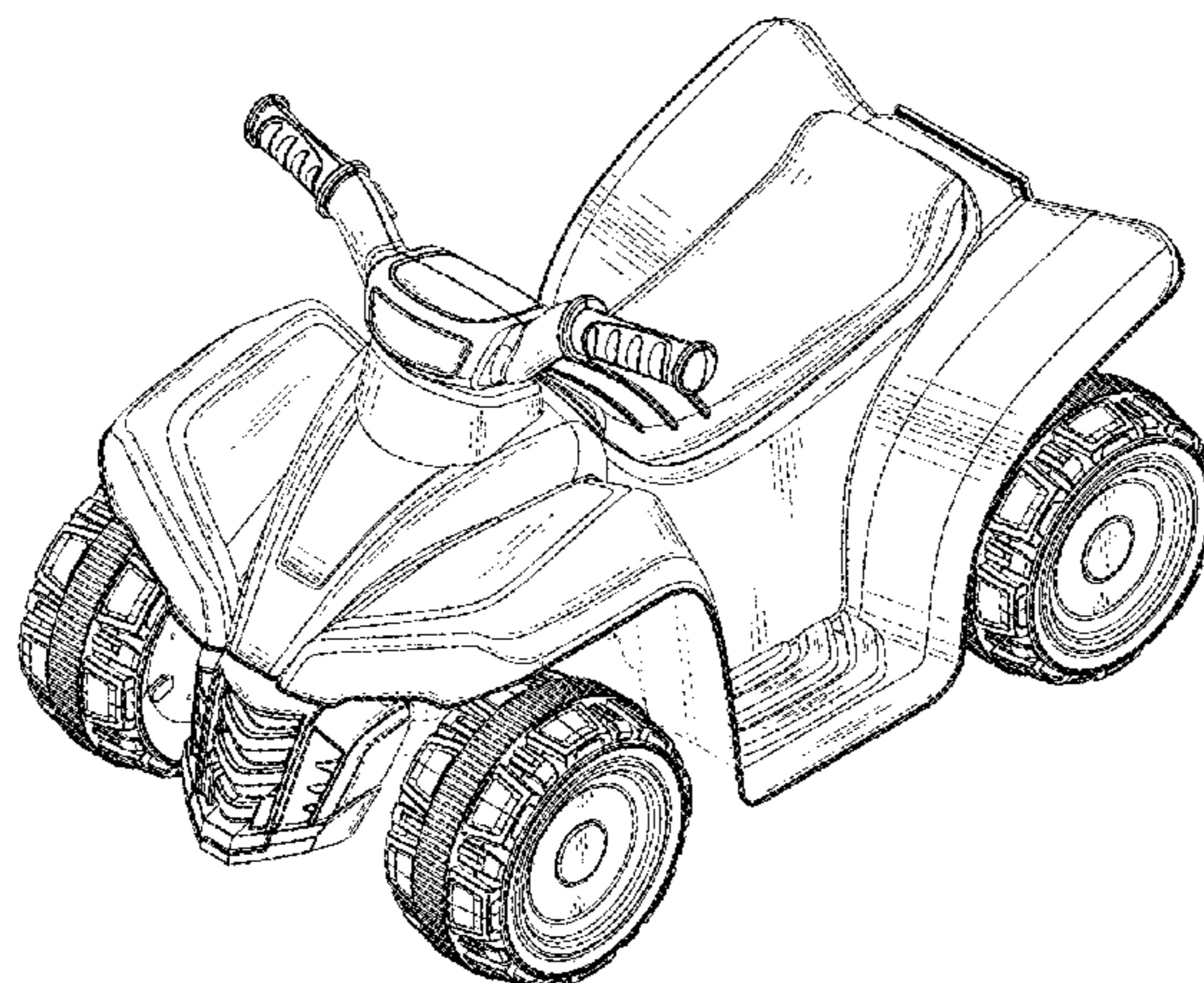
FIG. 1 is a front perspective view of a quad ride-on toy showing our new design;  
FIG. 2 is a front elevation view of FIG. 1;  
FIG. 3 is a rear elevation view of FIG. 1;  
FIG. 4 is a left side elevation view of FIG. 1;  
FIG. 5 is a right side elevation view of FIG. 1; and,  
FIG. 6 is a top plan view of FIG. 1.  
The broken lines show portions of the quad ride-on toy that form no part of the claimed design.

**1 Claim, 4 Drawing Sheets**

(56) **References Cited**

U.S. PATENT DOCUMENTS

D272,166 S *	1/1984	Orenstein	.....	D21/424
D299,663 S *	1/1989	Harrod	.....	D21/432
D299,707 S *	2/1989	Makita	.....	D12/107
D300,128 S *	3/1989	Brennan	.....	D12/169
D327,457 S *	6/1992	Saito	.....	D12/107
D330,694 S *	11/1992	Kimura	.....	D12/107
5,215,343 A *	6/1993	Fortune	.....	B60R 19/52 293/115
D349,078 S *	7/1994	Kimura	.....	D12/107
D412,464 S *	8/1999	Ichihara	.....	D12/107
D422,945 S *	4/2000	Luo	.....	D12/107







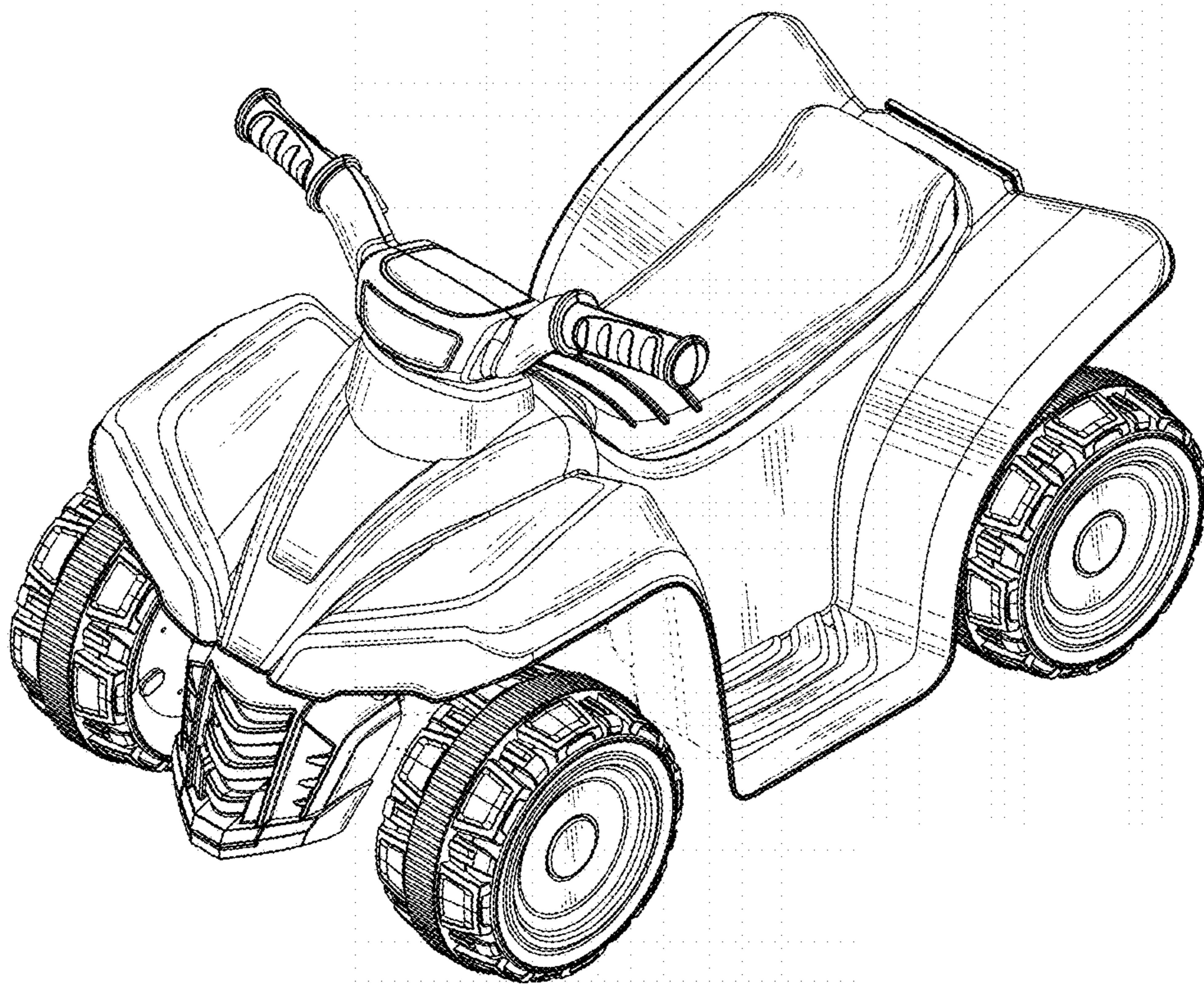


FIG. 1

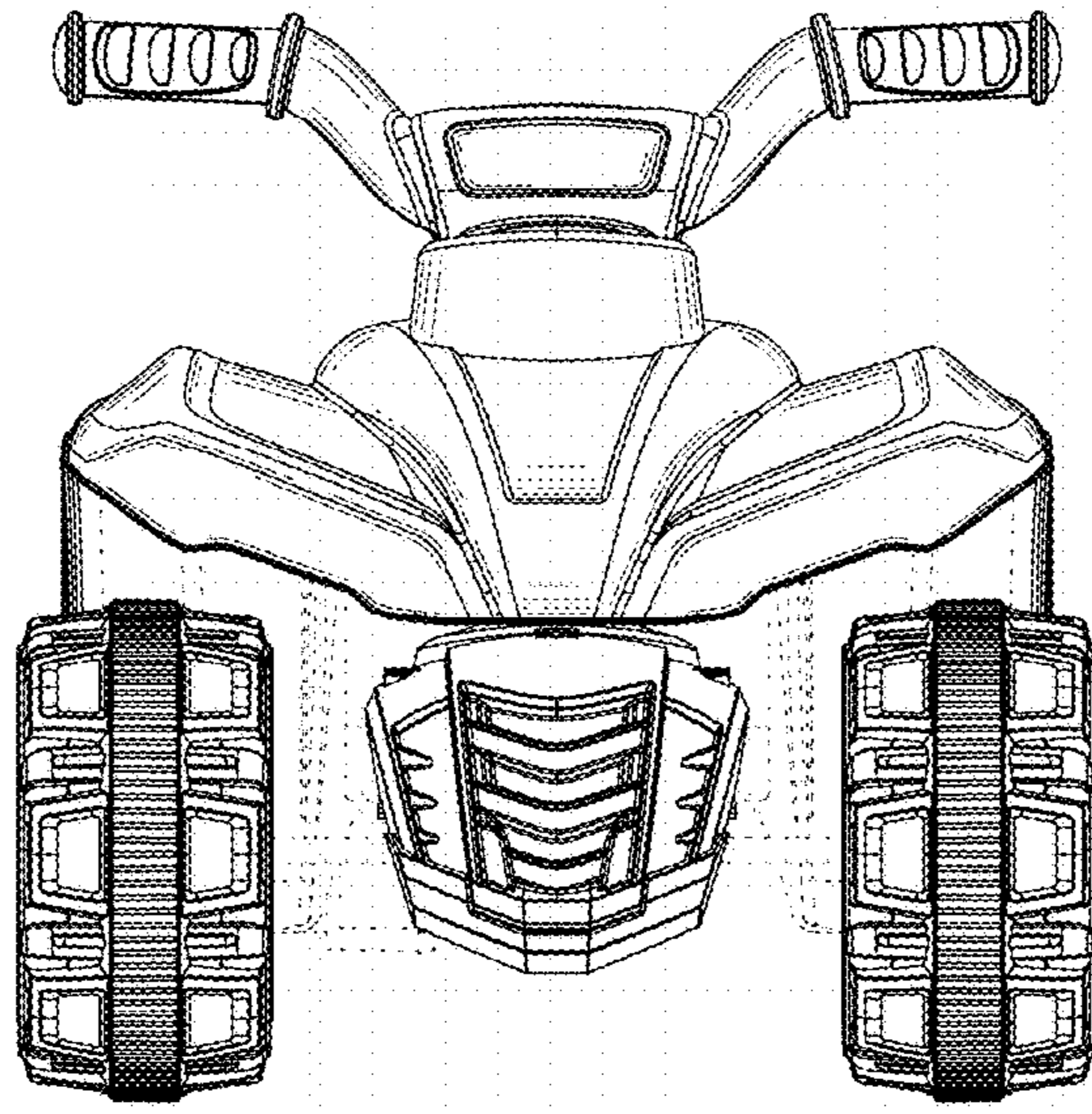


FIG. 2

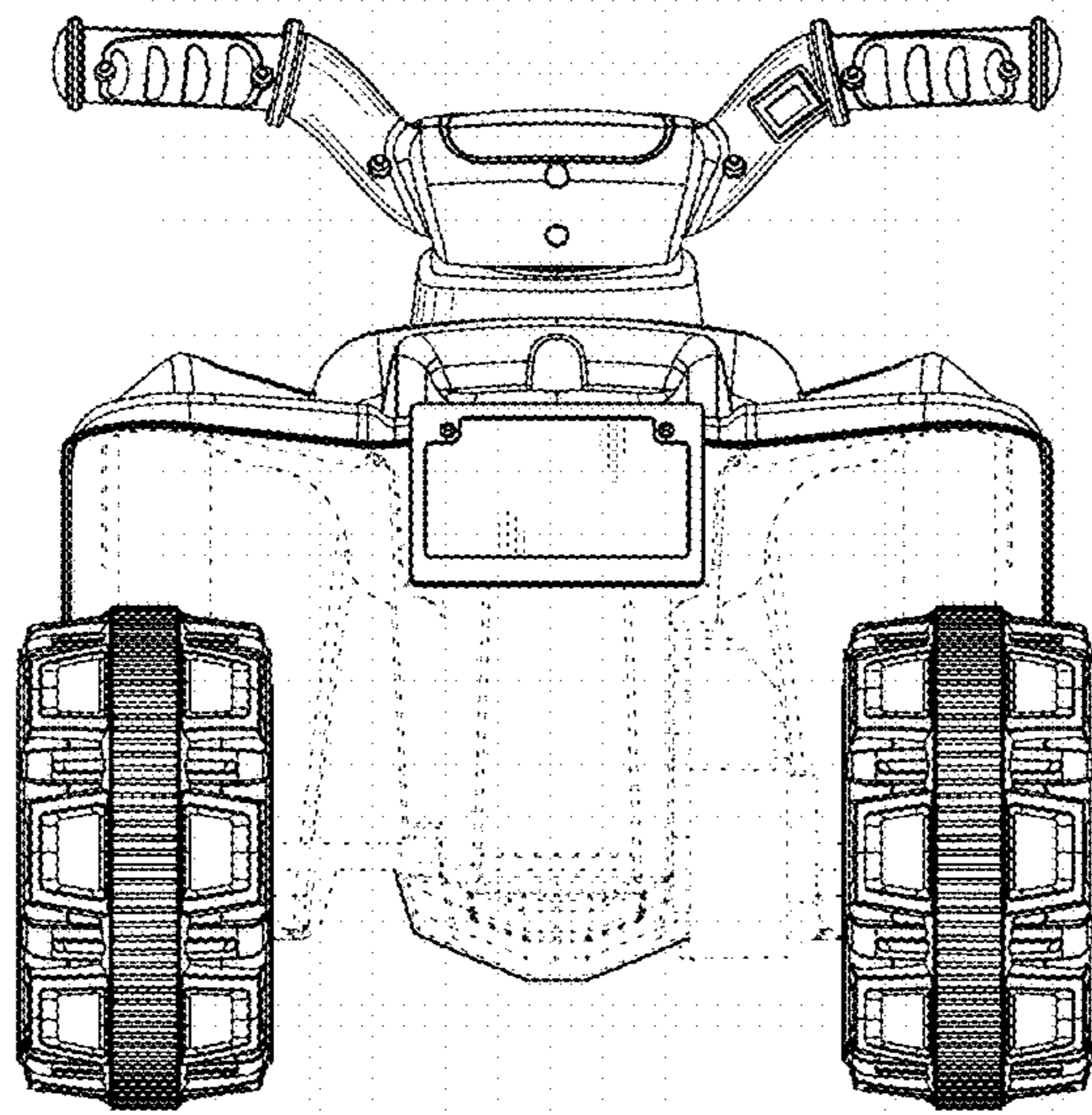


FIG. 3



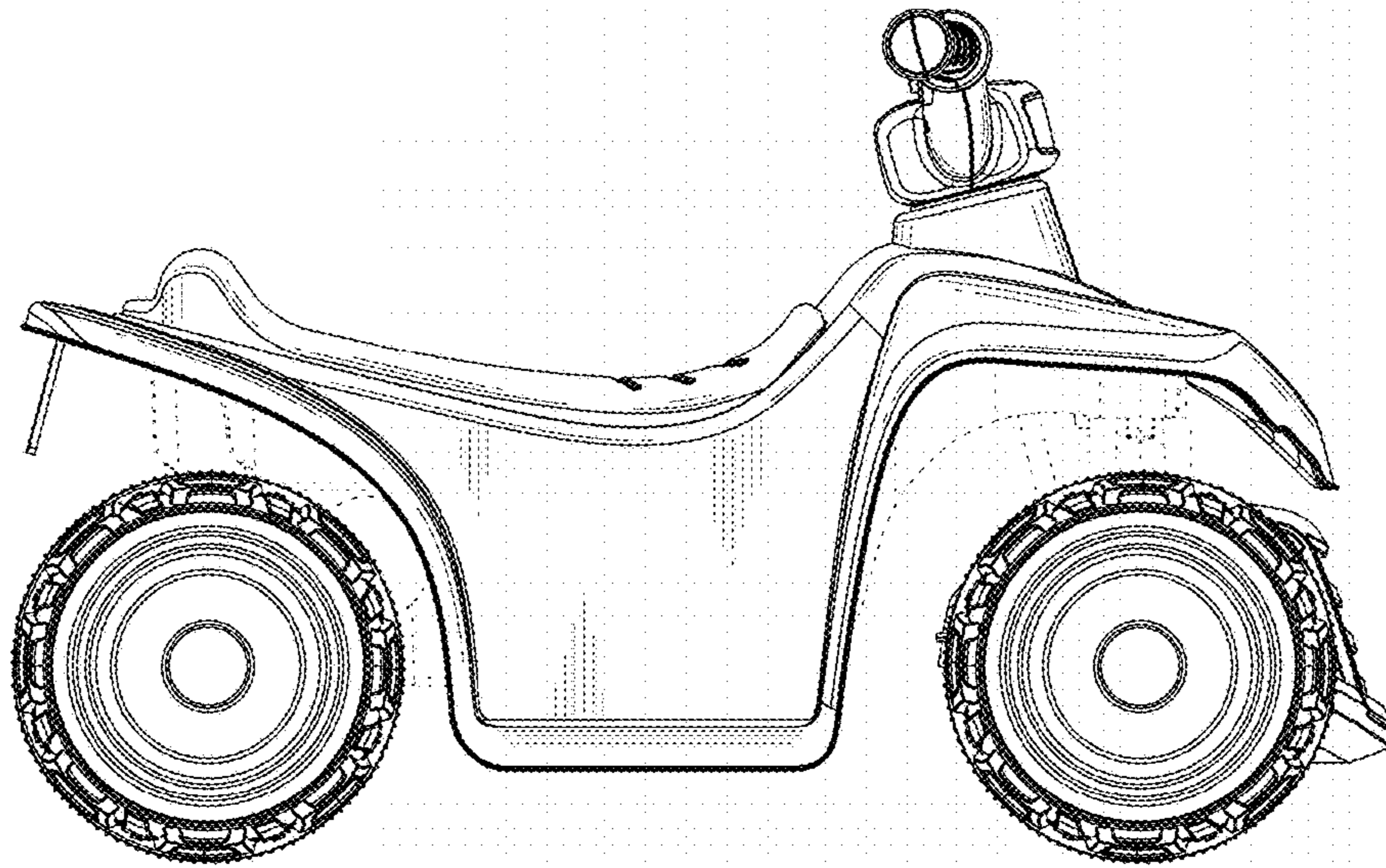


FIG. 4

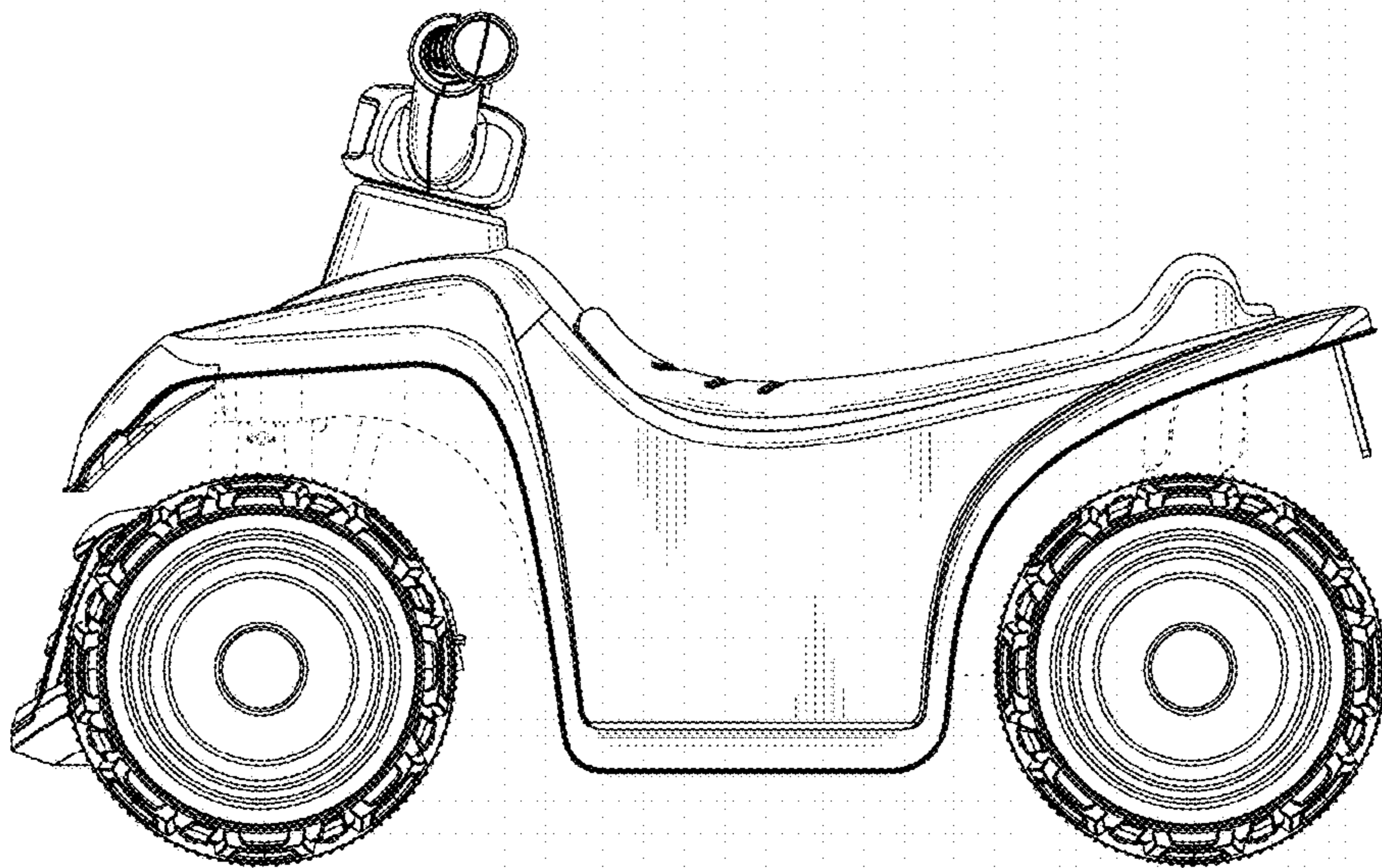


FIG. 5

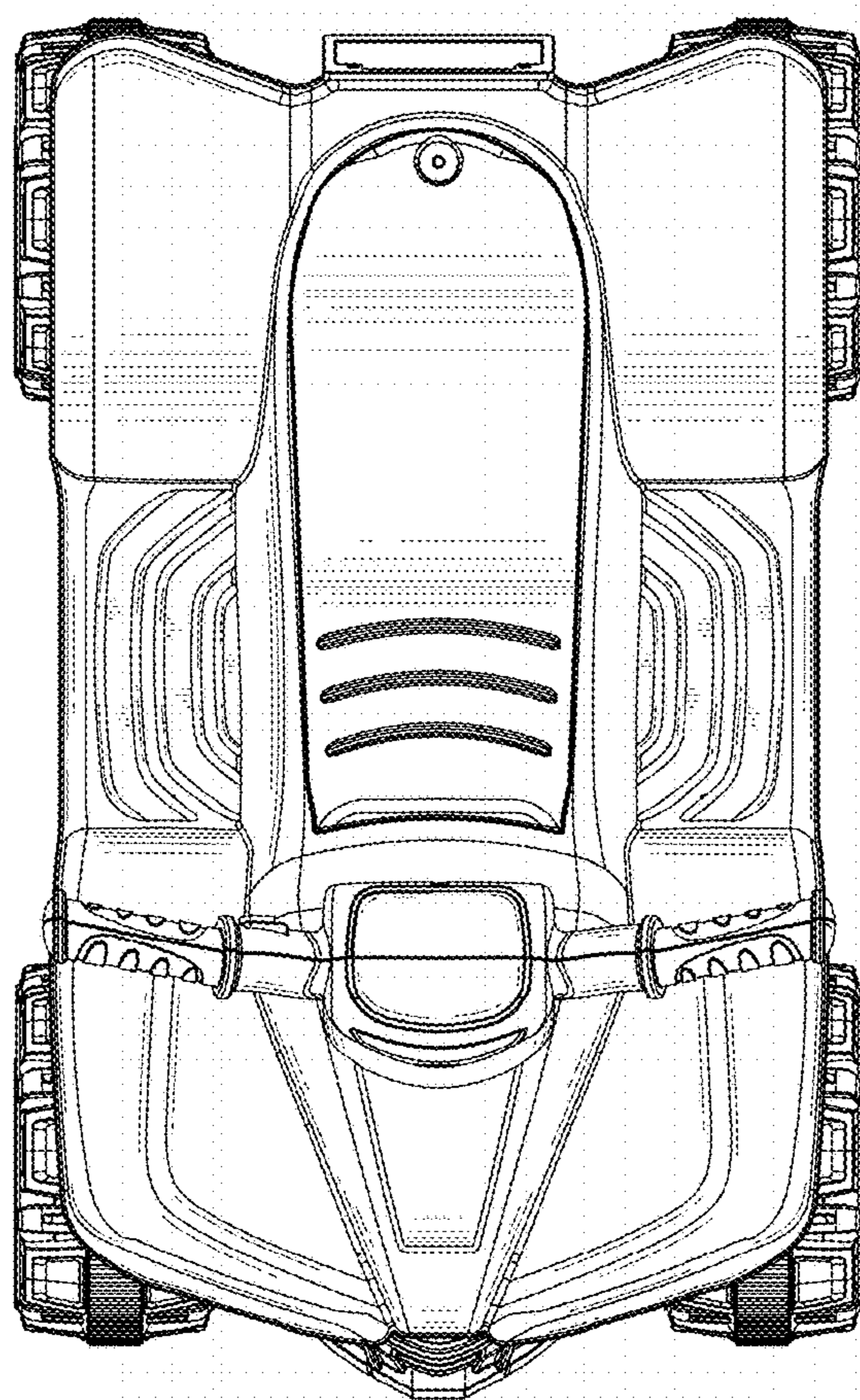


FIG. 6