



US00D854620S

(12) **United States Design Patent** (10) **Patent No.:** **US D854,620 S**
Yeh (45) **Date of Patent:** **** Jul. 23, 2019**

- (54) **GAMING MACHINE**
- (71) Applicant: **ENTROPHY CABINET SOLUTIONS CO., LTD.,** New Taipei (TW)
- (72) Inventor: **Hung-Ta Yeh,** New Taipei (TW)
- (73) Assignee: **Entropy Cabinet Solutions Co., Ltd.,** New Taipei (TW)
- (**) Term: **15 Years**
- (21) Appl. No.: **29/615,652**
- (22) Filed: **Aug. 30, 2017**
- (51) **LOC (11) Cl.** **21-03**
- (52) **U.S. Cl.**
USPC **D21/369**
- (58) **Field of Classification Search**
USPC D21/369, 370, 371, 385, 329, 325, 394;
D14/307, 172, 129, 325, 401, 371, 126,
D14/439, 432, 450, 128, 375, 248, 374,
D14/341, 138 G, 127; 463/28, 13, 11,
463/16, 20, 25, 31, 46, 23, 30, 17, 36, 29,
463/42, 34, 32, 35, 19, 21, 22; 273/292,
273/203, 138.2, 143 R, 142 R, 138.1;
D19/60; D16/226; D8/335, 331, 334;
D26/141; D7/641
CPC G07F 17/32; G07F 17/34; G07F 17/3211;
G07F 17/3244; G07F 17/3267
See application file for complete search history.

(56) **References Cited**

U.S. PATENT DOCUMENTS

- D378,604 S * 3/1997 Brettschneider D21/370
- D380,014 S * 6/1997 Yang D21/370
- D381,697 S * 7/1997 Brettschneider D21/370
- D388,469 S * 12/1997 Dickenson D21/325
- D442,640 S * 5/2001 Hayashi D21/305
- D496,407 S * 9/2004 Gadda D21/325

- D508,268 S * 8/2005 Hanchar D21/369
- D535,338 S * 1/2007 Linard D21/369
- D554,708 S * 11/2007 Gutknecht D21/370
- D573,201 S * 7/2008 Hashimoto D21/370
- D586,866 S * 2/2009 Hsu D21/370
- D599,859 S * 9/2009 Lesley D21/370
- D603,909 S * 11/2009 De Viveiros Ortiz D21/325
- D613,802 S * 4/2010 Meyers D21/370
- D616,039 S * 5/2010 Bruzzese D21/370
- D619,177 S * 7/2010 Lee D21/325
- D622,323 S * 8/2010 De Viveiros Ortiz D21/325
- D626,183 S * 10/2010 Cole D21/370
- D627,008 S * 11/2010 Bruzzese D21/385
- D632,342 S * 2/2011 Wen D21/370
- D677,736 S * 3/2013 Dorn D21/370
- D684,216 S * 6/2013 Terpstra D21/370
- D684,637 S * 6/2013 Shelley D21/370
- D685,435 S * 7/2013 Hohman D21/370

(Continued)

Primary Examiner — Philip S Hyder

Assistant Examiner — Ryan Harvey

(74) *Attorney, Agent, or Firm* — Muncy, Geissler, Olds & Lowe, P.C.

(57) **CLAIM**

The ornamental design for a gaming machine, as shown and described.

DESCRIPTION

FIG. 1 is a perspective view of a gaming machine showing the new design;

FIG. 2 is a front view of the new design;

FIG. 3 is a rear view of the new design;

FIG. 4 is a left view of the new design;

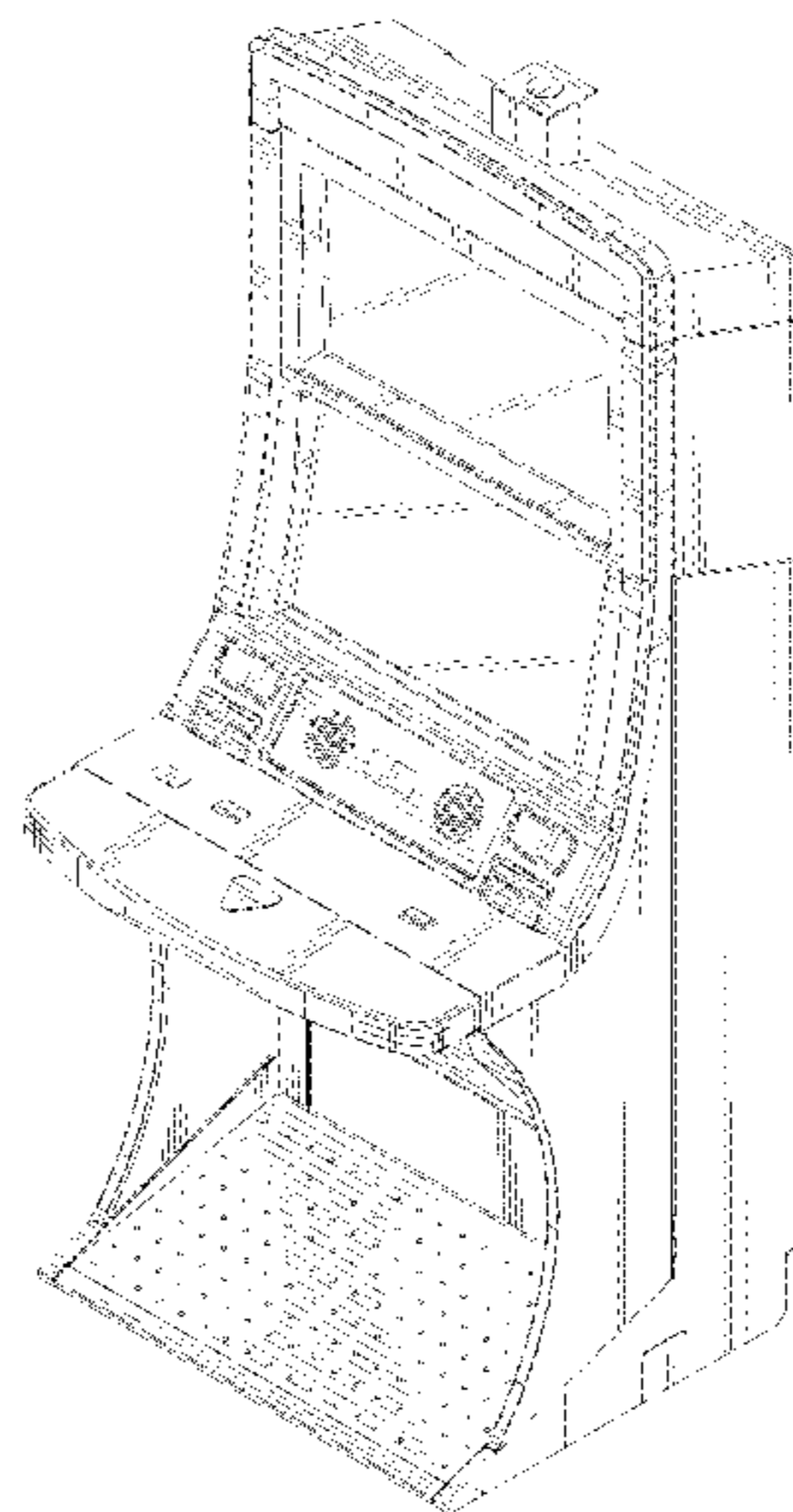
FIG. 5 is a right view of the new design;

FIG. 6 is a top view of the new design; and,

FIG. 7 is a bottom view of the new design.

The broken lines are for the purpose of illustrating portions of the gaming machine which form no part of the claimed design.

1 Claim, 7 Drawing Sheets



(56)

References Cited

U.S. PATENT DOCUMENTS

D697,558	S *	1/2014	Myers	D21/325
D704,273	S *	5/2014	Chudek	D21/369
D705,872	S *	5/2014	Ortiz	D21/370
D721,766	S *	1/2015	Ferrazoli	D21/370
D721,767	S *	1/2015	Ferrazoli	D21/370
D727,431	S *	4/2015	Themann	D21/370
D730,993	S *	6/2015	Castro	D21/370
D732,520	S *	6/2015	Themann	D14/307
D740,887	S *	10/2015	Randazzo	D21/370
D760,846	S *	7/2016	Castro	D21/370
9,679,435	B2 *	6/2017	Schrementi	G07F 17/3213
D803,323	S *	11/2017	Bussey	D21/369
D803,324	S *	11/2017	Bussey	D21/370
D818,048	S *	5/2018	Calhoun	D21/369
D822,117	S *	7/2018	Costa	D21/325
2007/0287528	A1 *	12/2007	Hirato	G07F 17/32 463/20
2007/0287544	A1 *	12/2007	Hirato	G07F 17/32 463/46
2008/0311987	A1 *	12/2008	Hirato	G07F 17/32 463/35
2015/0087403	A1 *	3/2015	Castro	G07F 17/3209 463/25

* cited by examiner

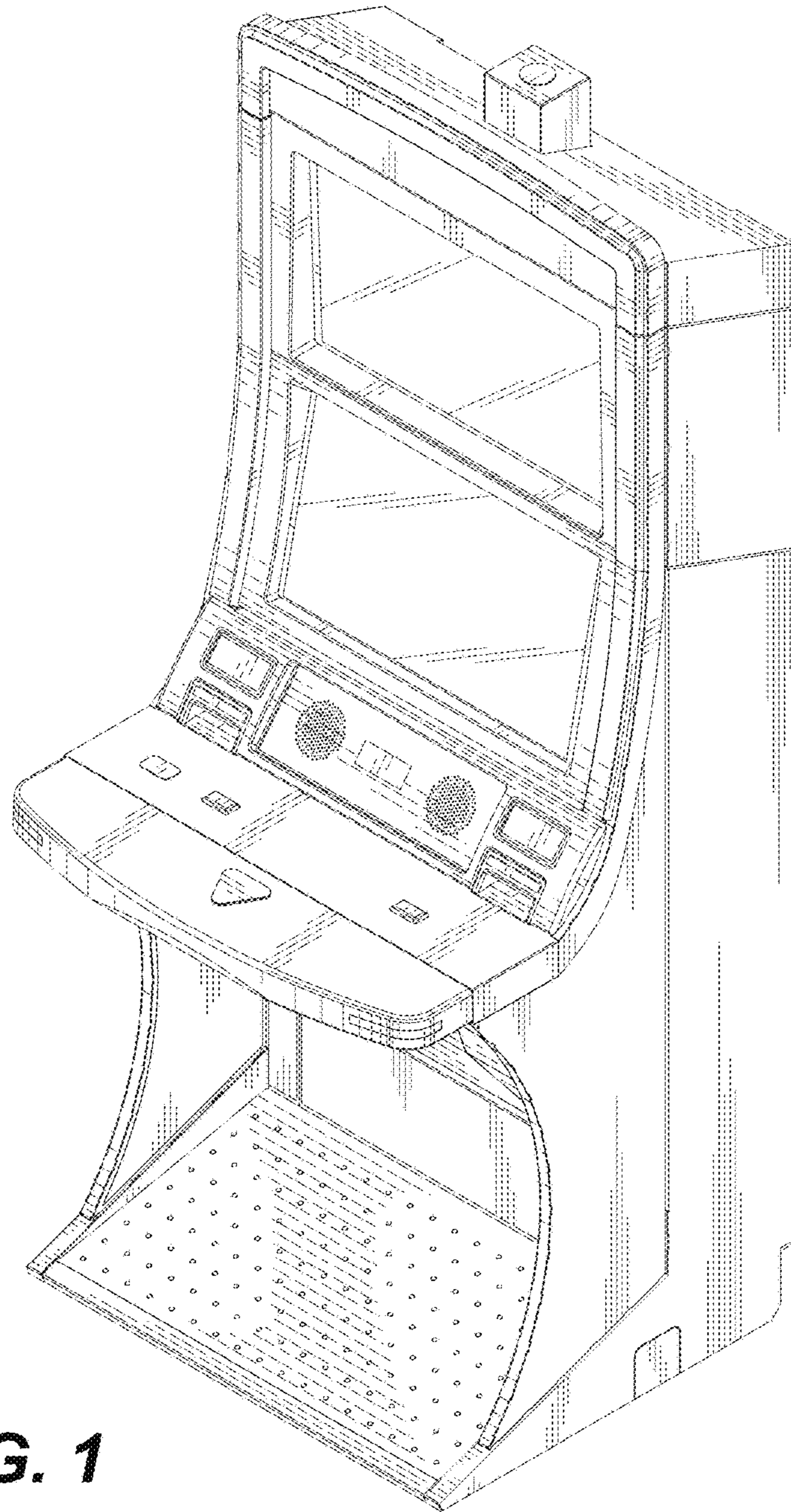


FIG. 1

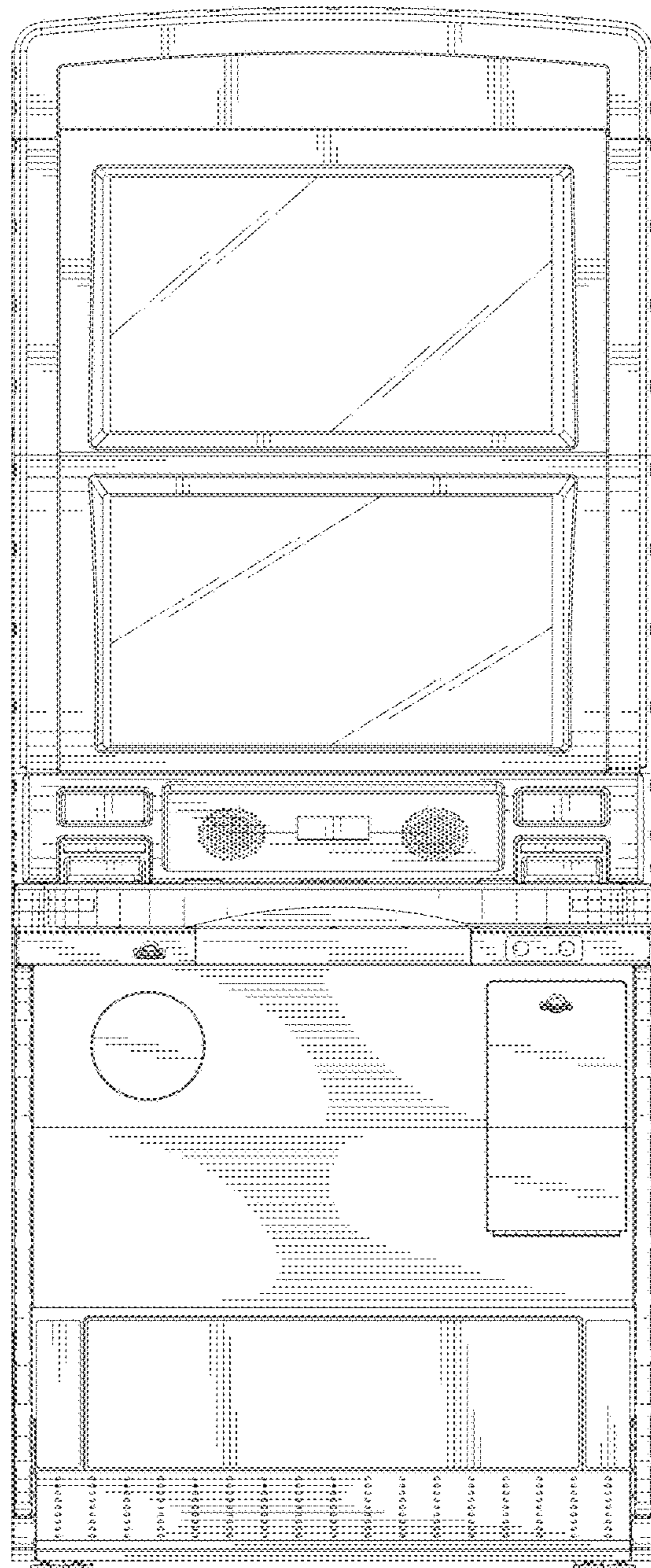


FIG. 2

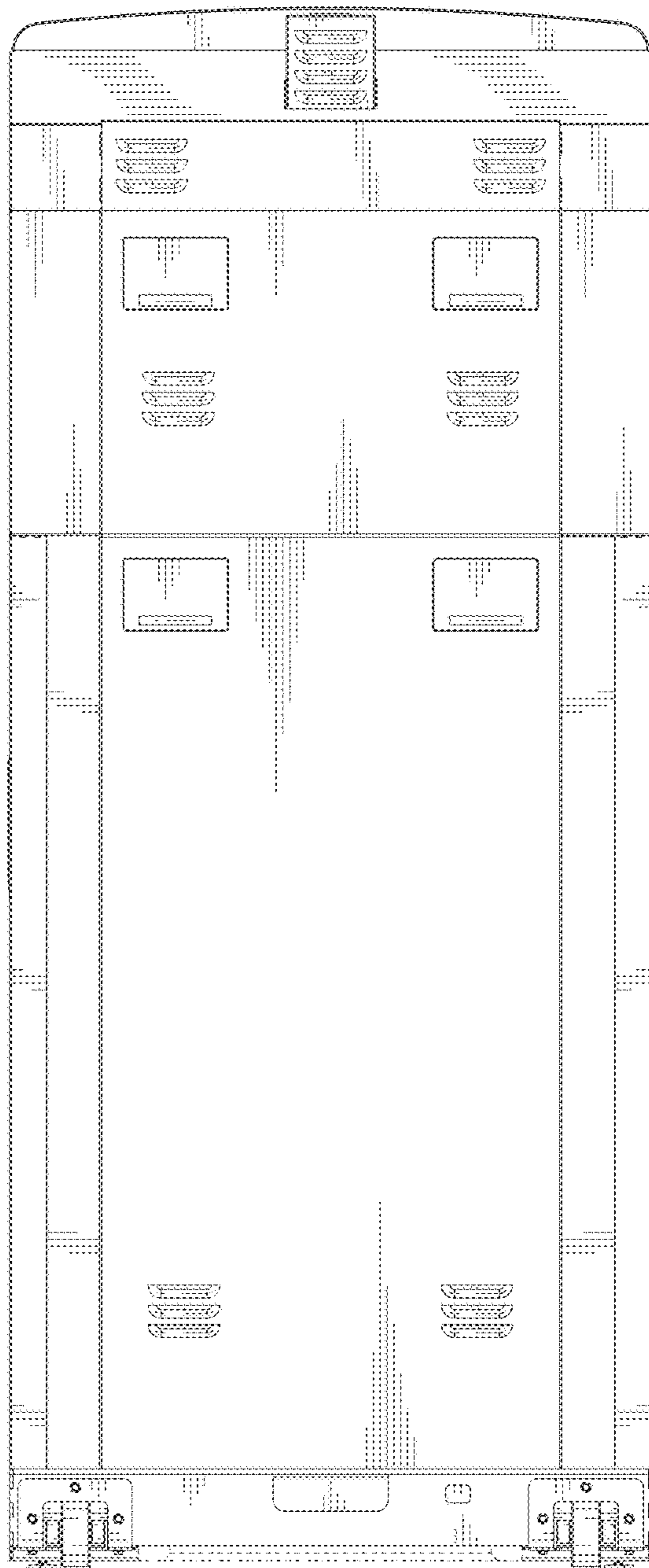


FIG. 3

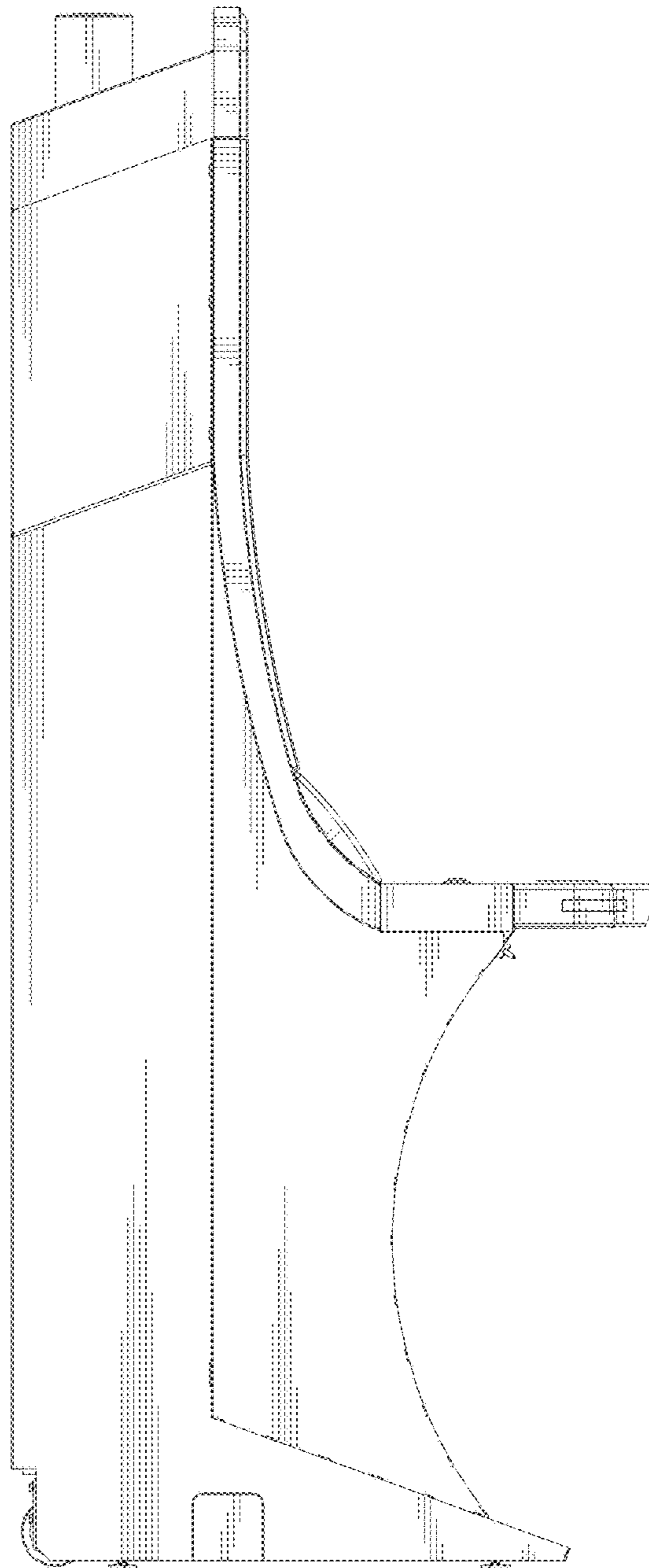


FIG. 4

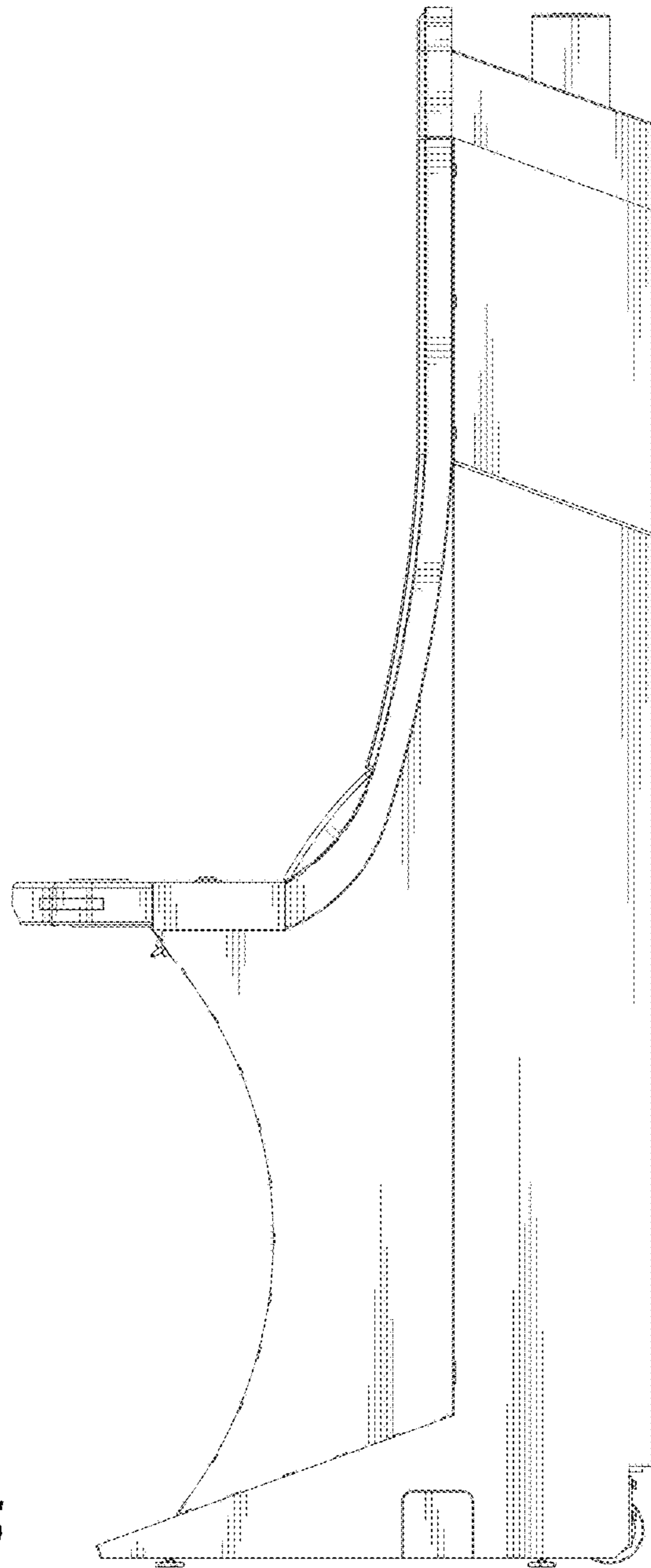


FIG. 5

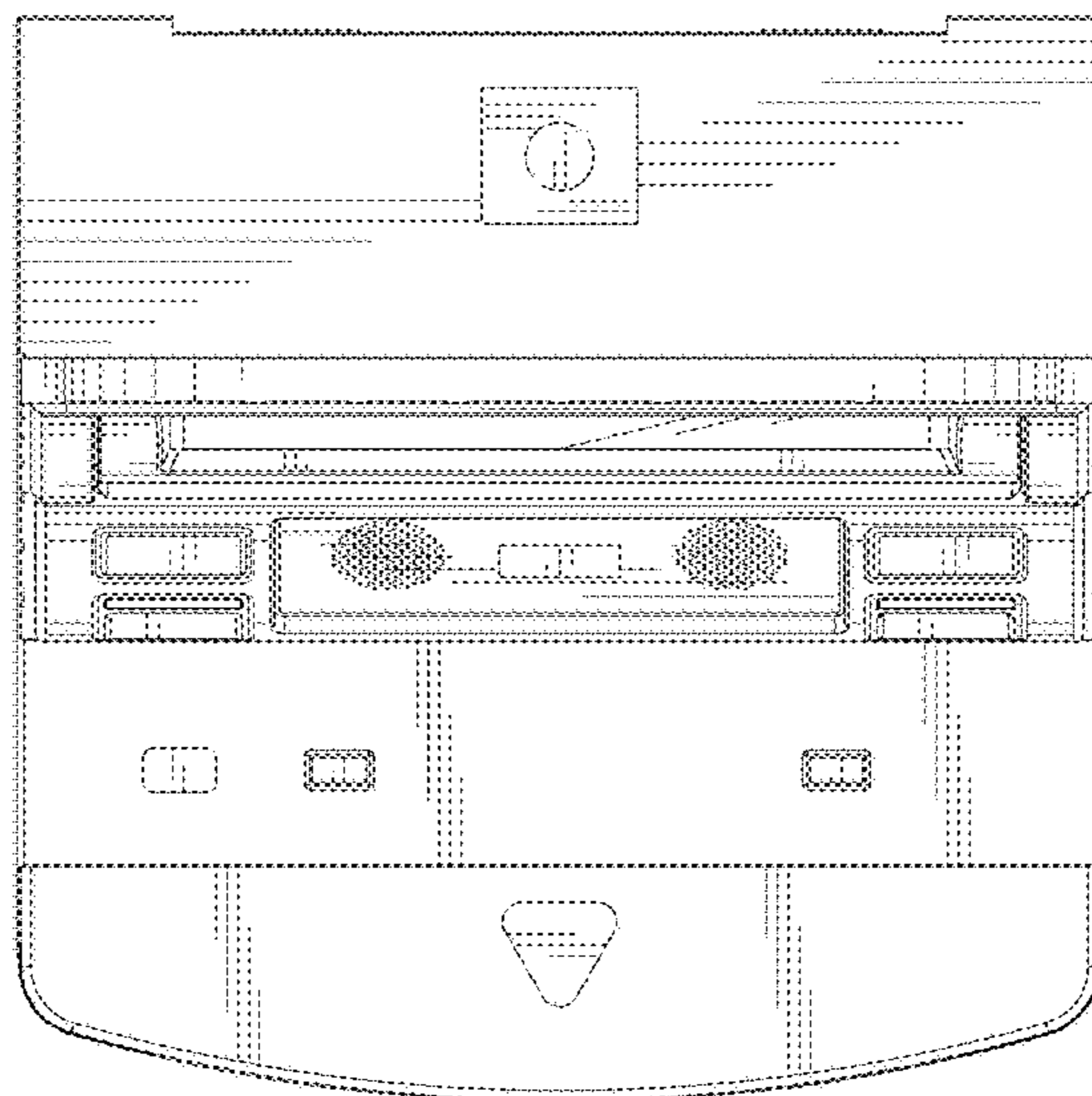


FIG. 6

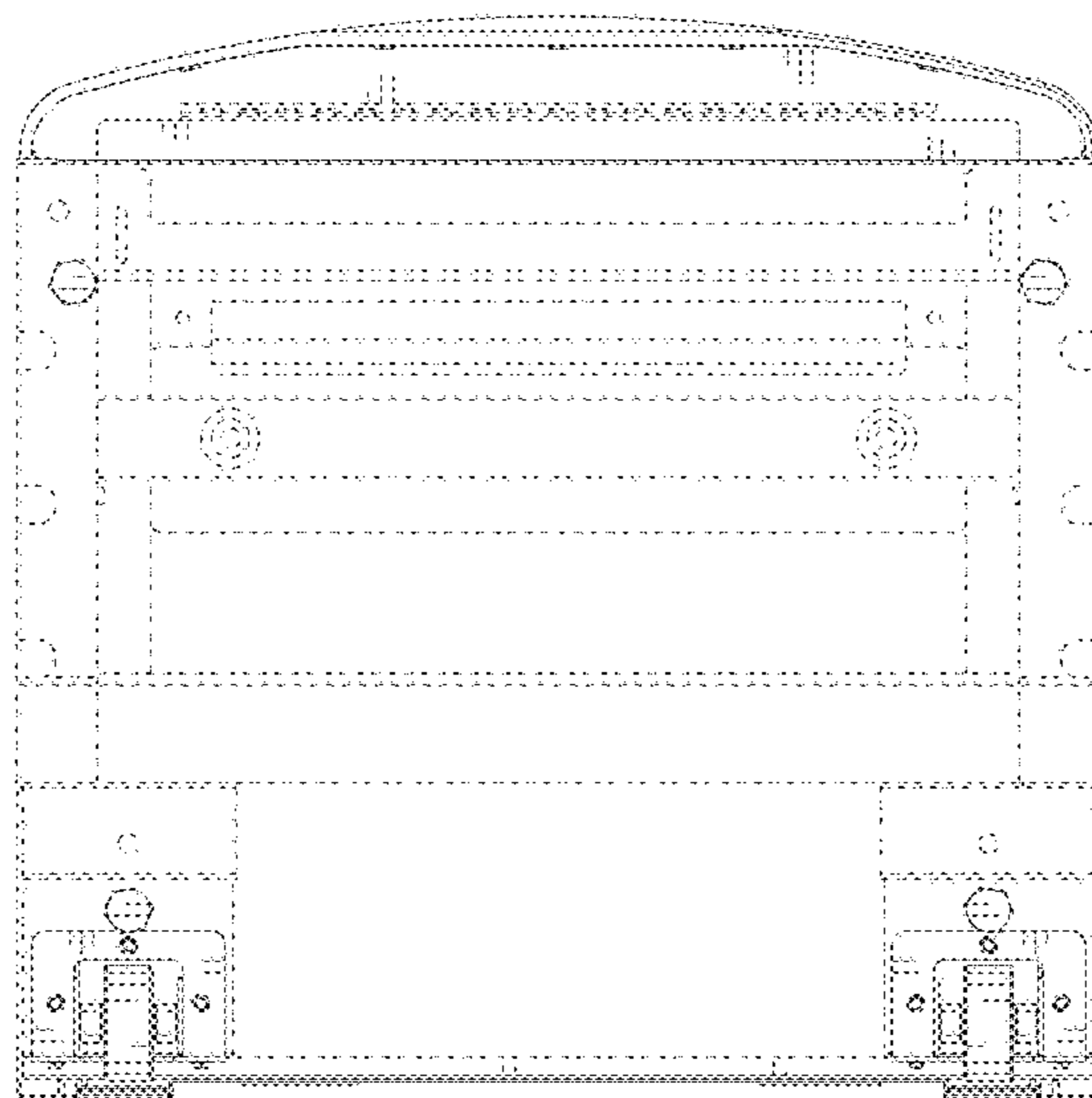


FIG. 7