



US00D854619S

(12) **United States Design Patent**
Konishi

(10) **Patent No.:** **US D854,619 S**

(45) **Date of Patent:** **** Jul. 23, 2019**

(54) **GAME CONTROLLER**

(71) Applicant: **Yoshinori Konishi**, Yokohama (JP)

(72) Inventor: **Yoshinori Konishi**, Yokohama (JP)

(**) Term: **15 Years**

(21) Appl. No.: **29/603,294**

(22) Filed: **May 8, 2017**

(30) **Foreign Application Priority Data**

Nov. 8, 2016 (JP) 2016-024302

(51) **LOC (11) Cl.** **21-01**

(52) **U.S. Cl.**
USPC **D21/333**; D14/401

(58) **Field of Classification Search**
USPC D14/399-401, 412-418; 273/148 B;
463/1, 29-39, 46, 47; 345/156-161, 905;
D21/333, 328, 324

CPC .. A63F 13/02; A63F 9/24; A63F 13/12; A63F
9/00; A63F 11/00; A63F 71/00; G06F
3/02; G06F 3/033; G09G 5/00

See application file for complete search history.

(56) **References Cited**

U.S. PATENT DOCUMENTS

6,225,975 B1 * 5/2001 Furuki A63F 13/06
273/239
7,195,561 B2 * 3/2007 Hussaini A63F 13/02
273/148 B
7,255,012 B2 * 8/2007 Hedtke F16K 3/03
73/861.61

7,762,553 B2 * 7/2010 Harris A63F 13/98
273/148 B
D638,016 S * 5/2011 Ikeda D14/401
D685,434 S * 7/2013 Ali D14/401
8,628,085 B2 * 1/2014 Sternberg A63H 33/04
273/148 B
D708,615 S * 7/2014 Delrue D14/401
D709,882 S * 7/2014 Morris D14/401
D740,825 S * 10/2015 Bellinghausen D14/401
D754,128 S * 4/2016 Bellinghausen D14/401
D766,902 S * 9/2016 Bellinghausen D14/401
D767,682 S * 9/2016 Bellinghausen D14/401

* cited by examiner

Primary Examiner — Keli L Hill

(74) *Attorney, Agent, or Firm* — Michael N. Cohen;
Cohen IP Law Group PC

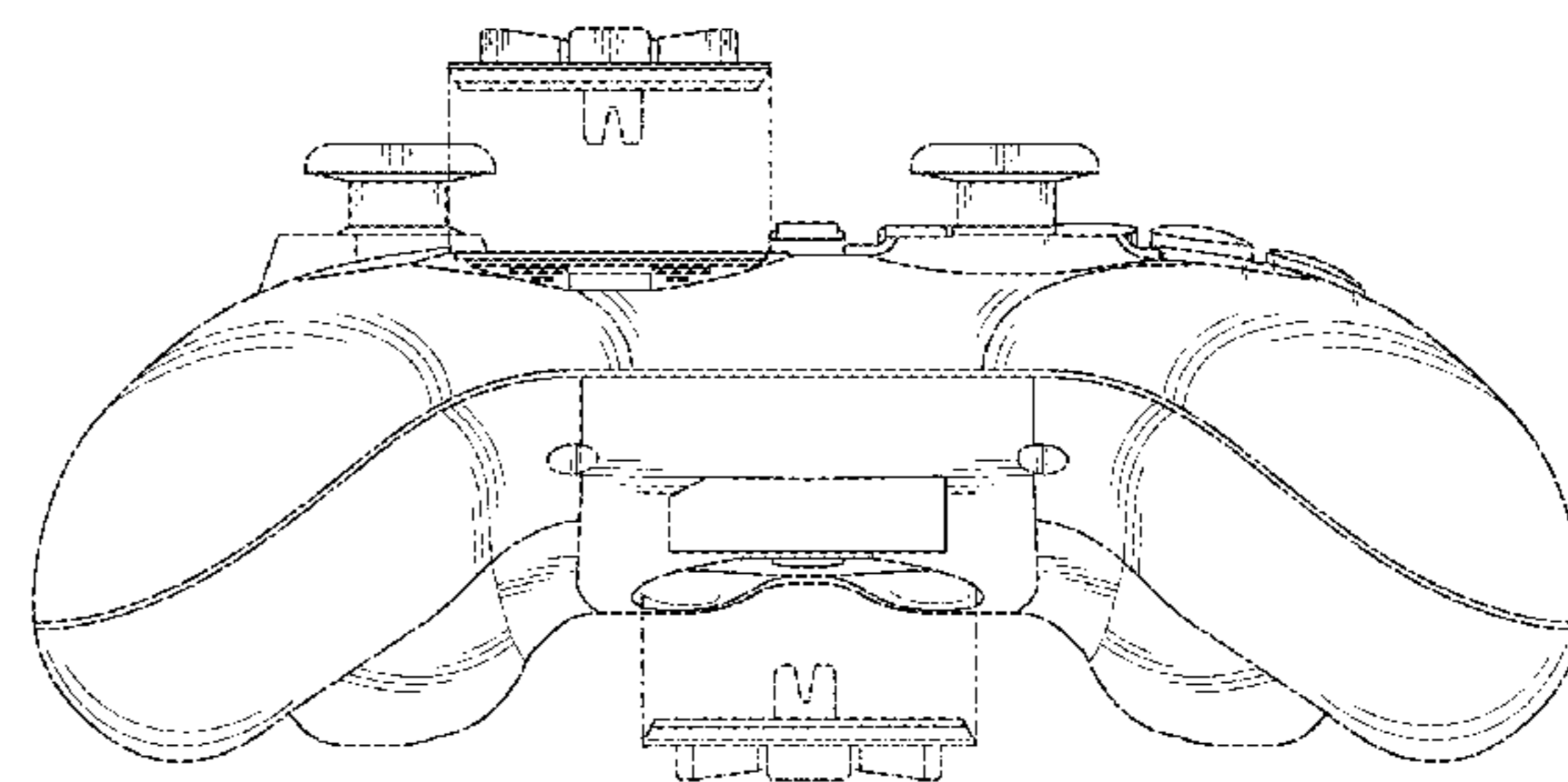
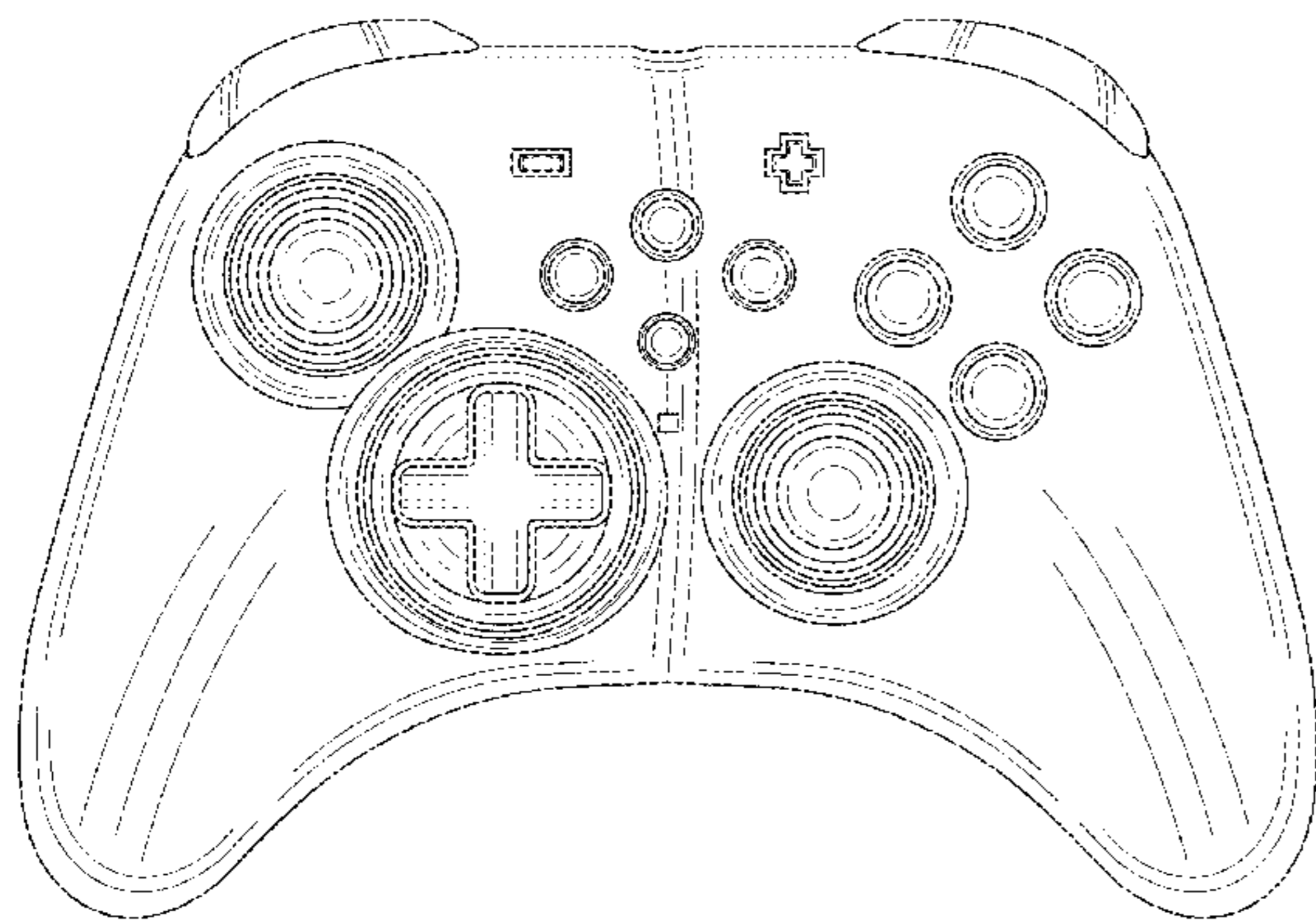
(57) **CLAIM**

I claim the ornamental design for the game controller, as shown and described.

DESCRIPTION

FIG. 1 is a top view of the game controller;
FIG. 2 is a bottom view of FIG. 1;
FIG. 3 is a left side view of FIG. 1;
FIG. 4 is a right side view of FIG. 1;
FIG. 5 is a back view of FIG. 1;
FIG. 6 is a front view of FIG. 1; and,
FIG. 7 is an alternate front view of FIG. 1, showing the directional pad element in alternate positions.
The broken lines shown are included for the purpose of illustrating portions of the game controller that form no part of the claim.

1 Claim, 7 Drawing Sheets



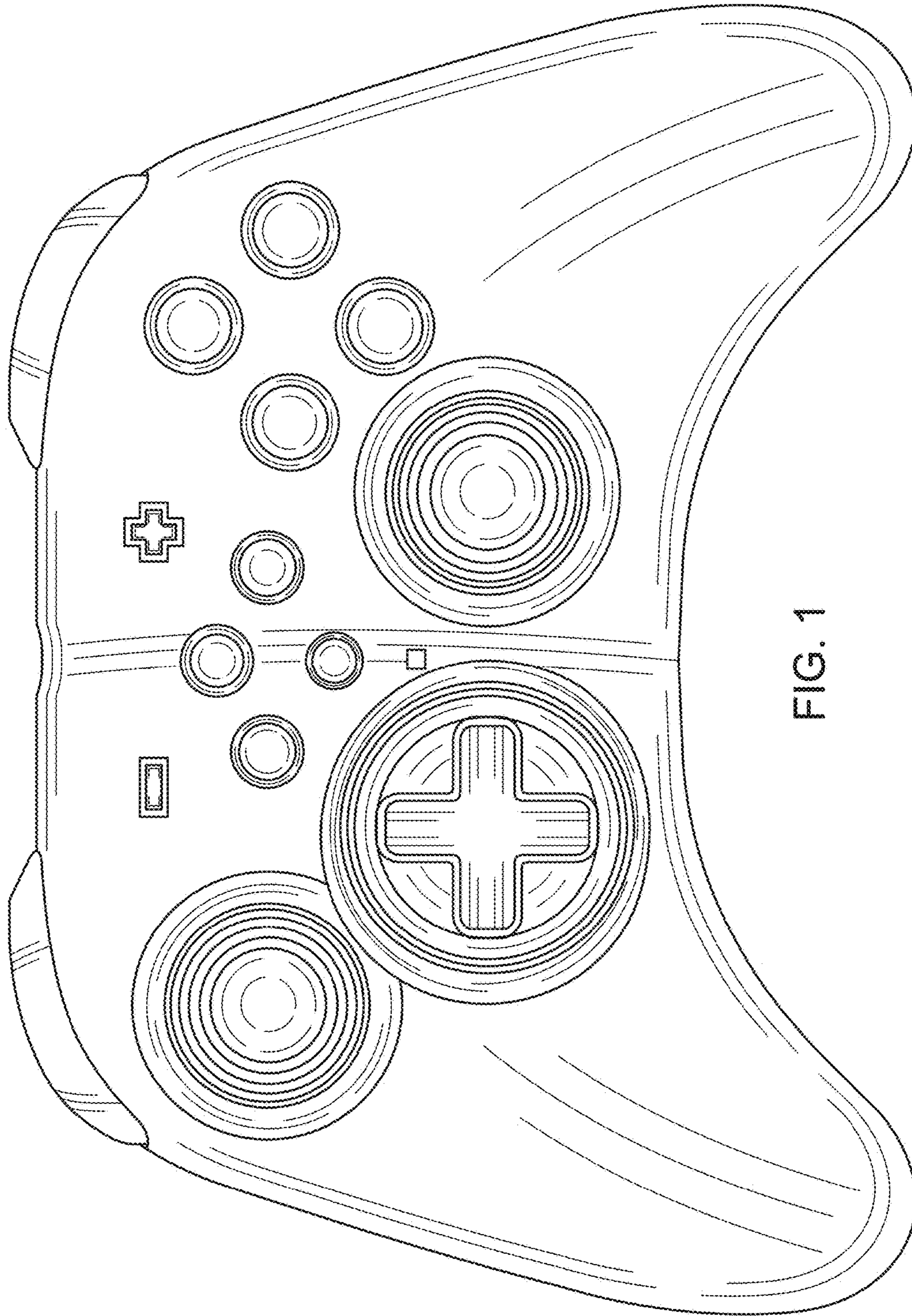


FIG. 1

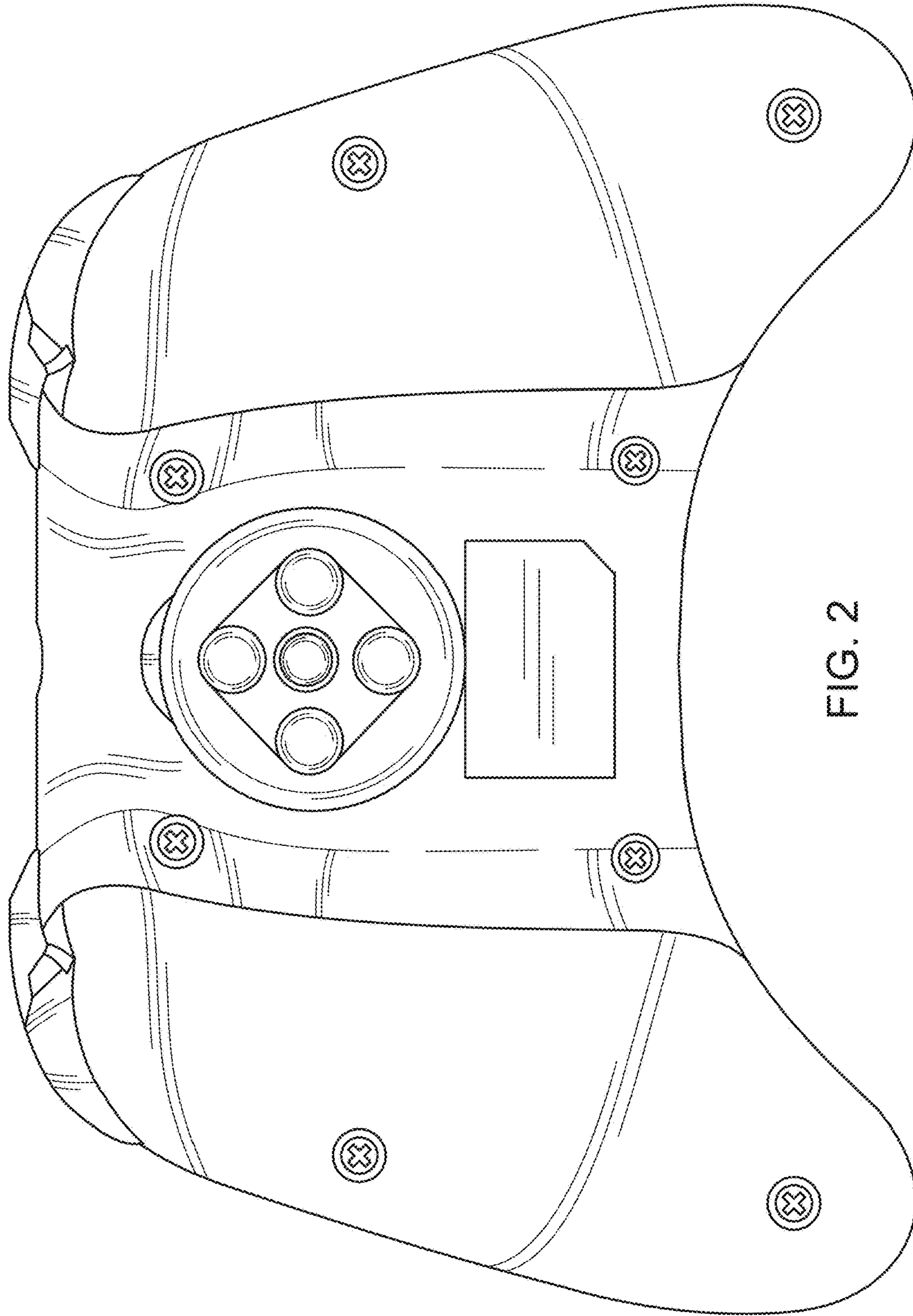


FIG. 2

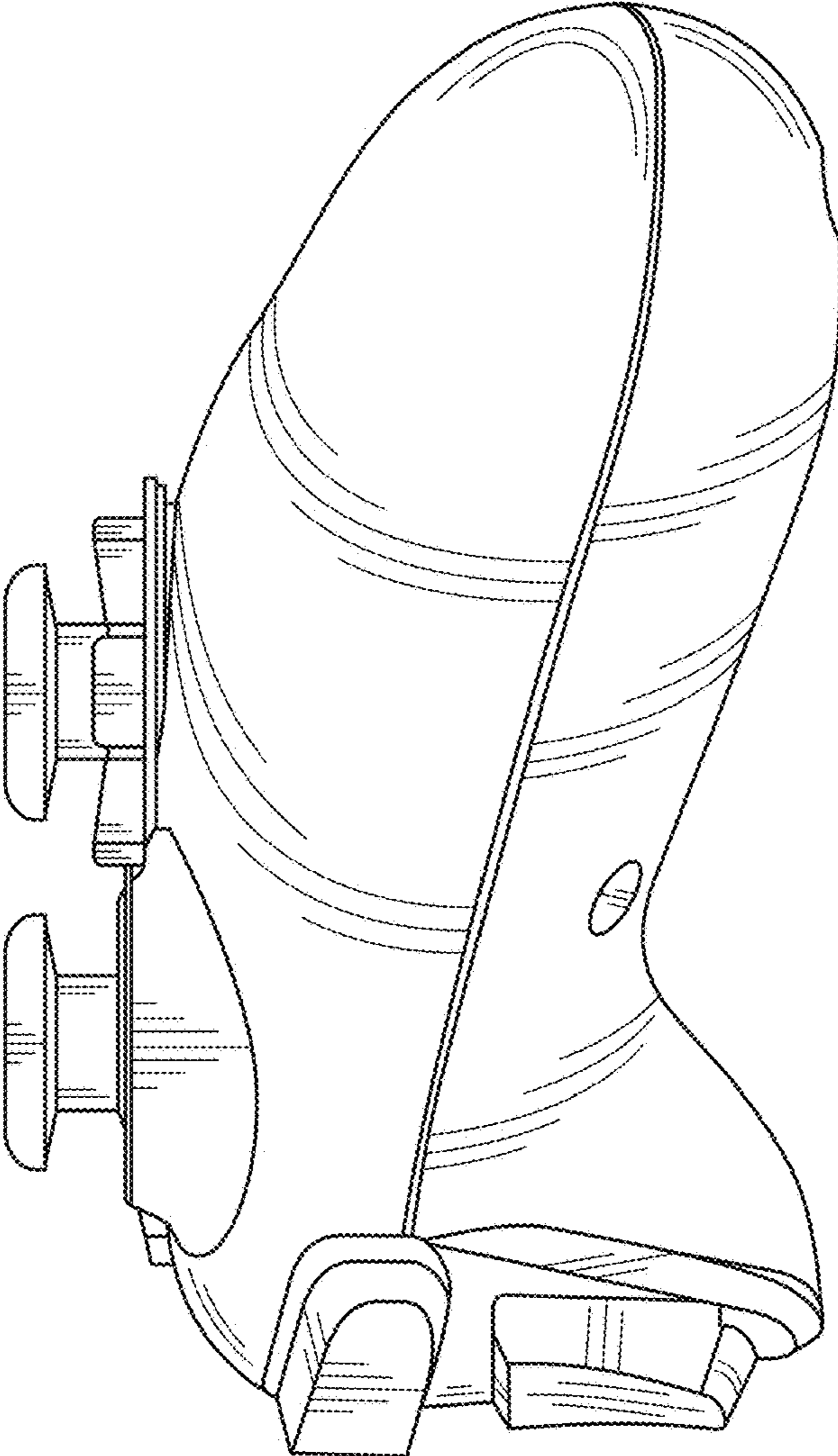


FIG. 3

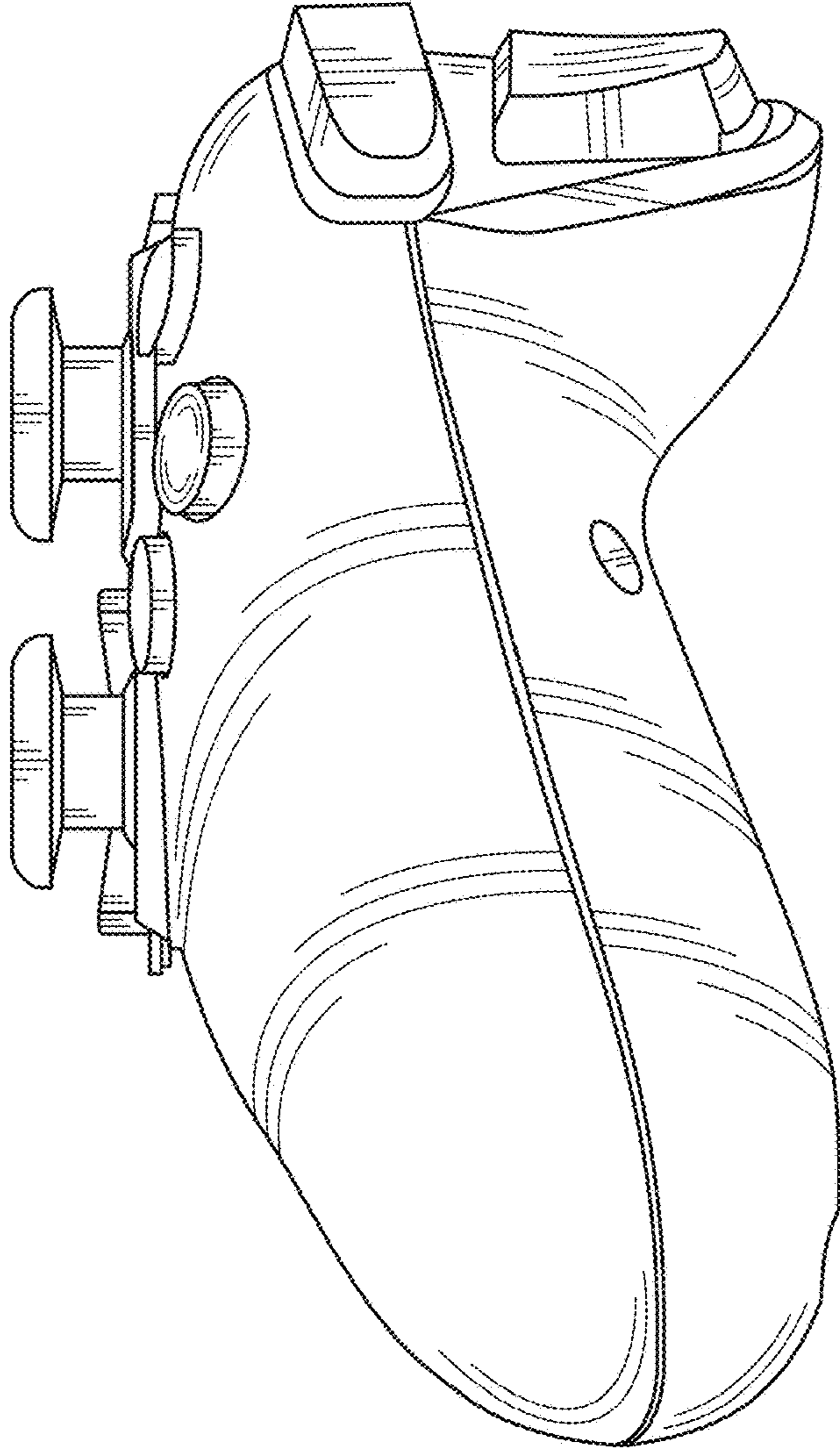


FIG. 4

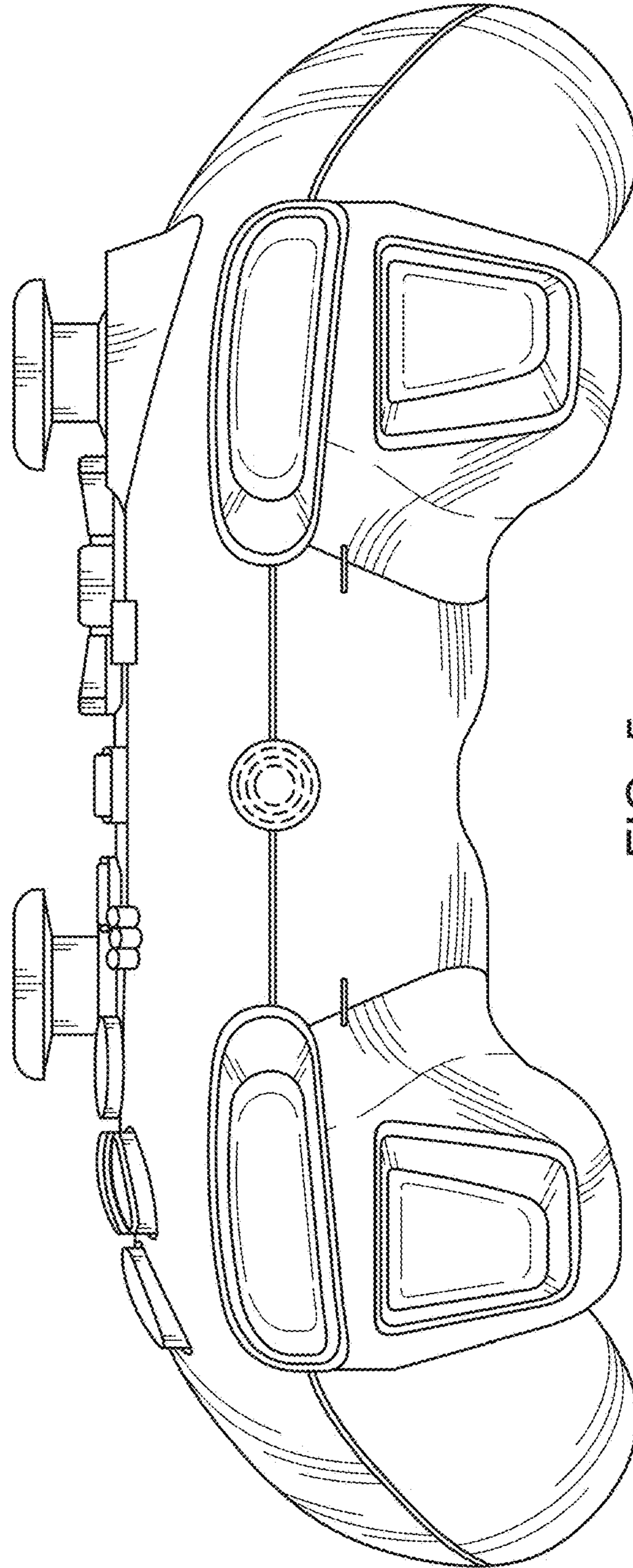


FIG. 5

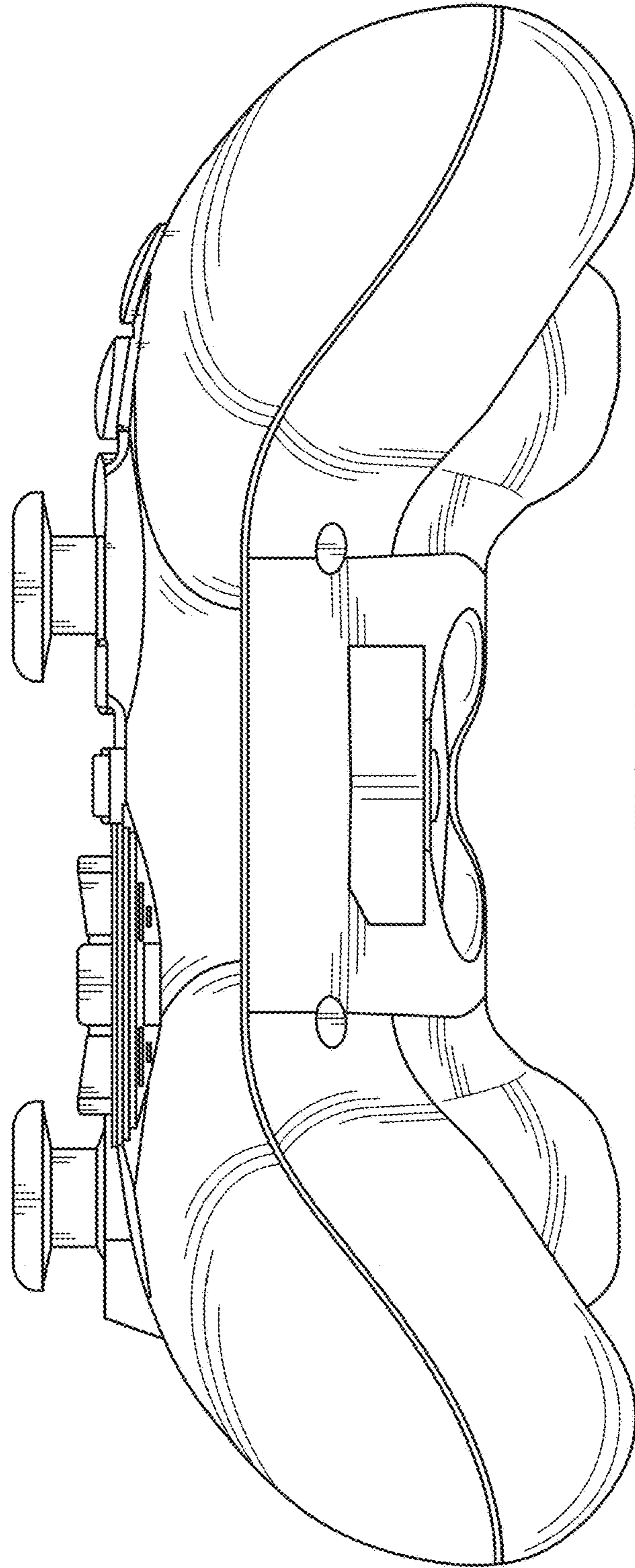


FIG. 6

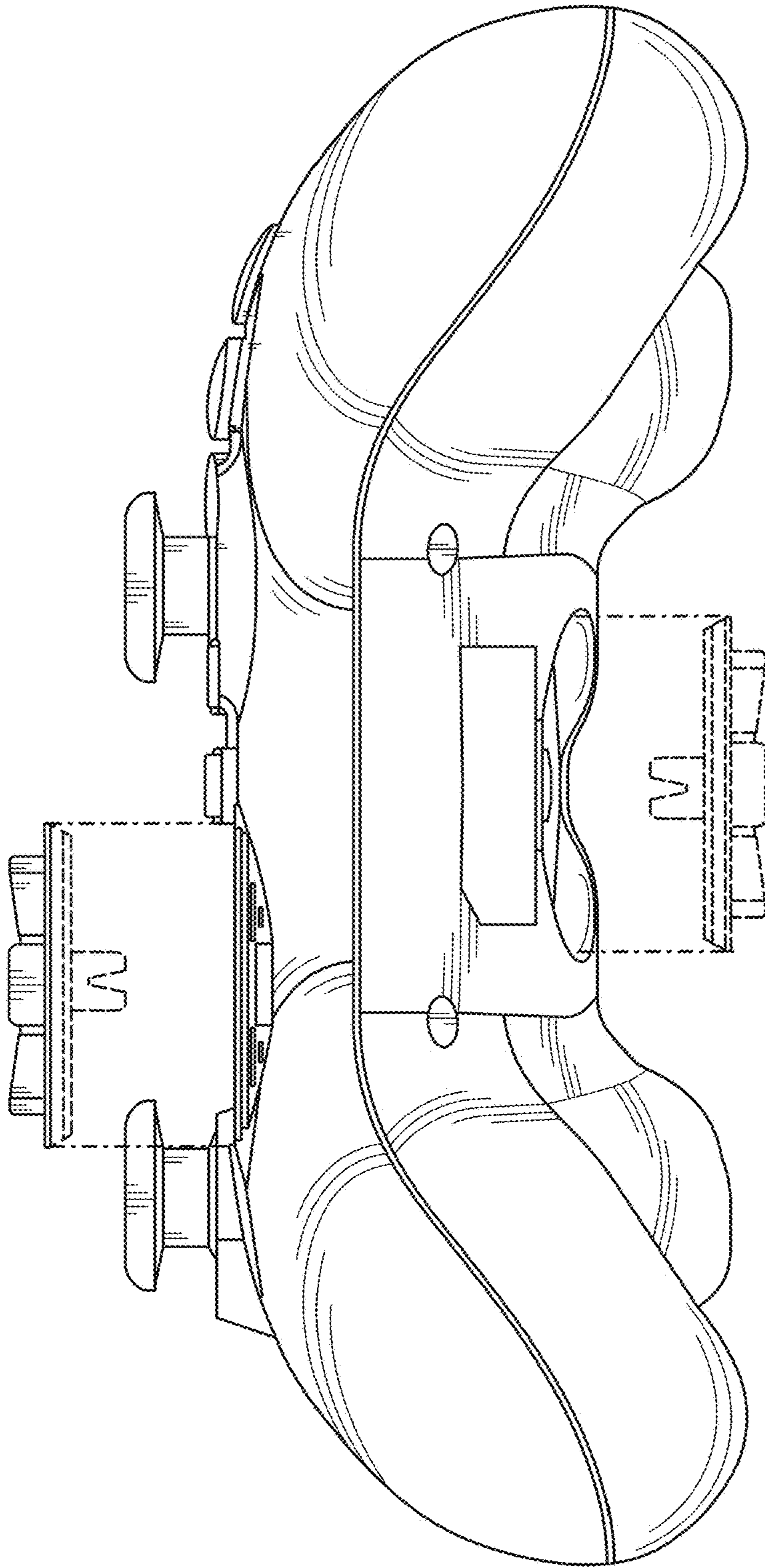


FIG. 7