



US00D854617S

(12) **United States Design Patent**
Chang

(10) **Patent No.:** **US D854,617 S**
(45) **Date of Patent:** **** Jul. 23, 2019**

- (54) **BILL OUTPUT CONTROL DEVICE**
- (71) Applicant: **INTERNATIONAL CURRENCY TECHNOLOGIES CORPORATION, Taipei (TW)**
- (72) Inventor: **Chia-Min Chang, Taipei (TW)**
- (73) Assignee: **International Currency Technologies Corporation, Taipei (TW)**
- (**) Term: **15 Years**
- (21) Appl. No.: **29/614,960**
- (22) Filed: **Aug. 24, 2017**
- (51) **LOC (11) Cl.** **20-01**
- (52) **U.S. Cl.**
USPC **D20/8; D10/49**
- (58) **Field of Classification Search**
USPC D10/40, 46, 49; D20/8, 9; D21/385; D18/3.2, 3.3, 12.1
CPC G07D 11/10; G07D 11/14; G07D 11/20; G07D 11/40; G07F 11/002; G07F 9/06
See application file for complete search history.

(56) **References Cited**

U.S. PATENT DOCUMENTS

- 3,083,896 A * 4/1963 Cairelli G07F 9/06
109/52
- 3,675,816 A * 7/1972 Bourke, II G07F 19/20
194/206
- 3,926,366 A * 12/1975 Sciortino G07F 9/06
232/15
- 3,948,376 A * 4/1976 Roman G07F 9/06
194/317
- 4,088,082 A * 5/1978 Pudras G07D 11/10
109/53
- 4,449,050 A * 5/1984 Kamhi G07D 11/10
250/455.11

- 4,494,743 A * 1/1985 Kushmaul B65H 3/0891
271/11
- D280,742 S * 9/1985 Johnson D20/9
- 5,129,330 A * 7/1992 McKay E05G 1/005
109/59 R
- 5,385,225 A * 1/1995 Chen G07F 9/06
109/49.5
- D359,765 S * 6/1995 Izawa D20/9
- D360,228 S * 7/1995 Dabrowski D20/8
- 5,595,129 A * 1/1997 Grobe E05G 1/005
109/22
- D404,075 S * 1/1999 Hatamachi D20/8
- D427,533 S * 7/2000 Cowan D10/46
- 6,398,000 B1 * 6/2002 Jenrick G07D 11/13
194/200
- D476,037 S * 6/2003 Kolls D20/8
- D476,688 S * 7/2003 Yu D20/8
- D500,761 S * 1/2005 Roatis D20/8
- 6,976,919 B2 * 12/2005 Cole G07F 17/32
194/206

(Continued)

Primary Examiner — Selina Sikder

(74) *Attorney, Agent, or Firm* — Muncy, Geissler, Olds & Lowe, P.C.

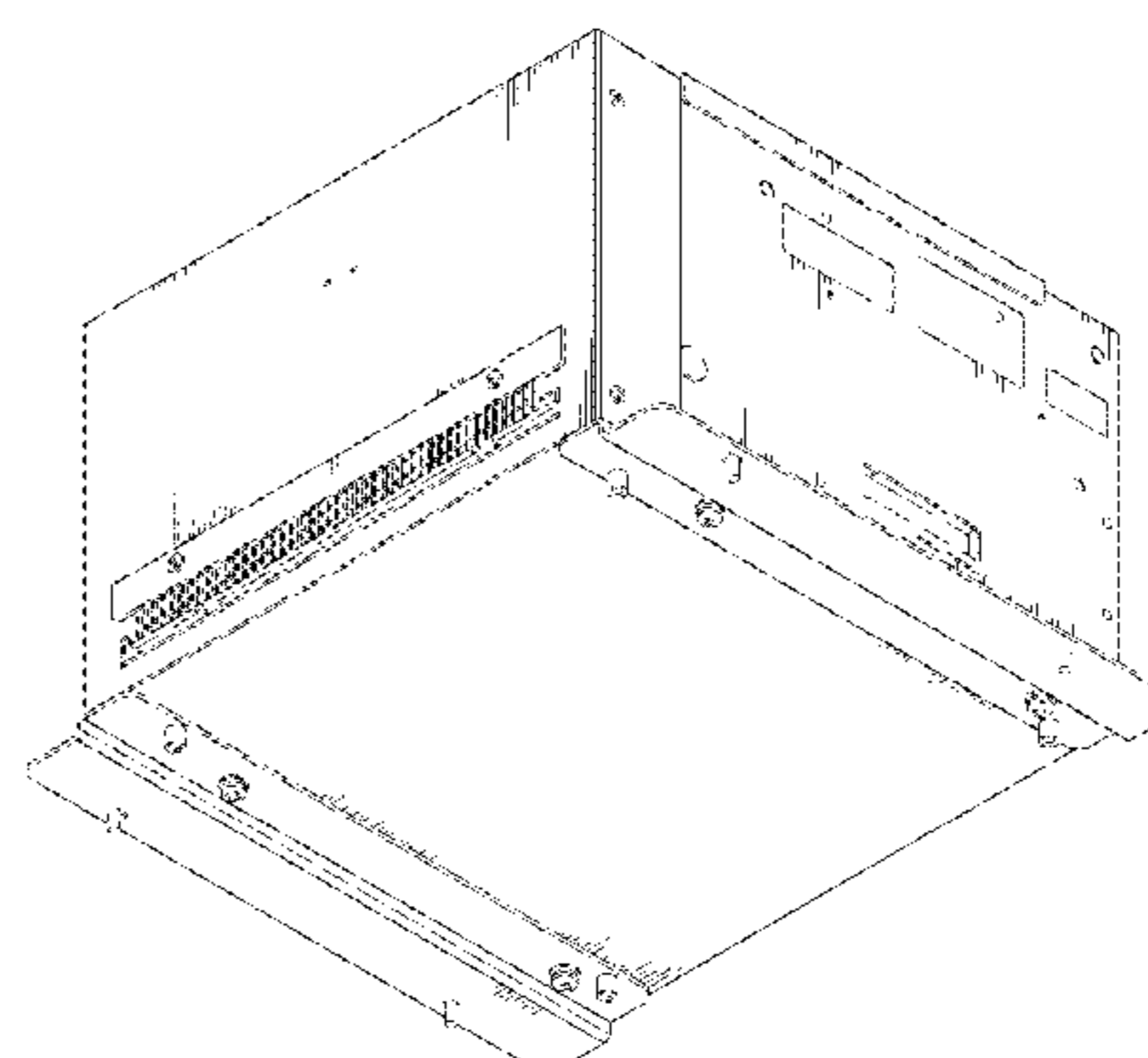
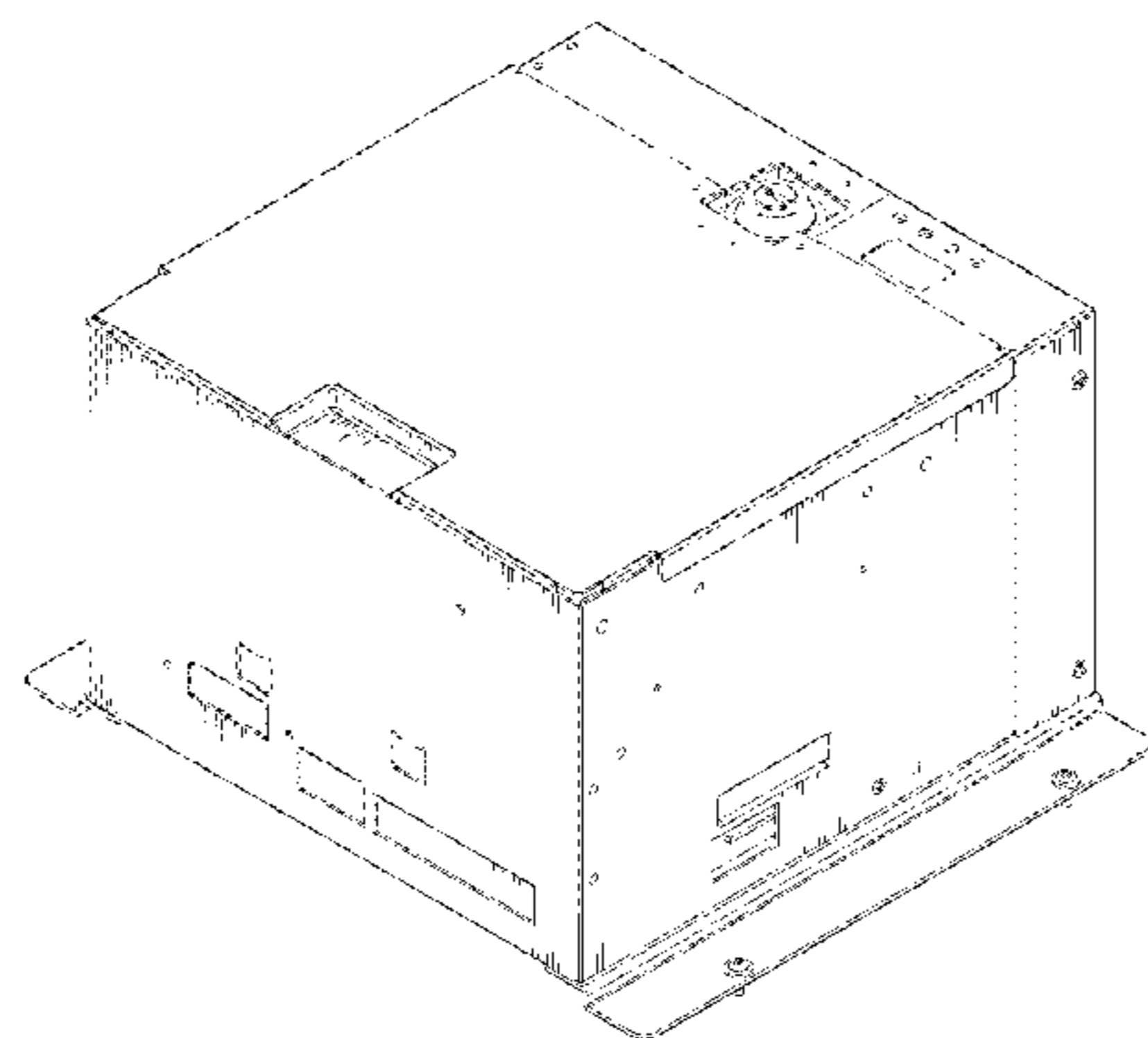
(57) **CLAIM**

The ornamental design for a bill output control device, as shown and described.

DESCRIPTION

FIG. 1 is a perspective view of a bill output control device showing my design;
 FIG. 2 is a front view thereof;
 FIG. 3 is a rear view thereof;
 FIG. 4 is a left side view thereof;
 FIG. 5 is a right side view thereof;
 FIG. 6 is a top view thereof;
 FIG. 7 is a bottom view thereof; and,
 FIG. 8 is another perspective view of a bill output control device showing my design.

1 Claim, 8 Drawing Sheets



(56)

References Cited

U.S. PATENT DOCUMENTS

8,109,434 B2 * 2/2012 Kim G07F 19/20
109/45
8,308,055 B2 * 11/2012 Wallmann G07D 11/12
232/15
D733,801 S * 7/2015 Mosley D20/9

* cited by examiner

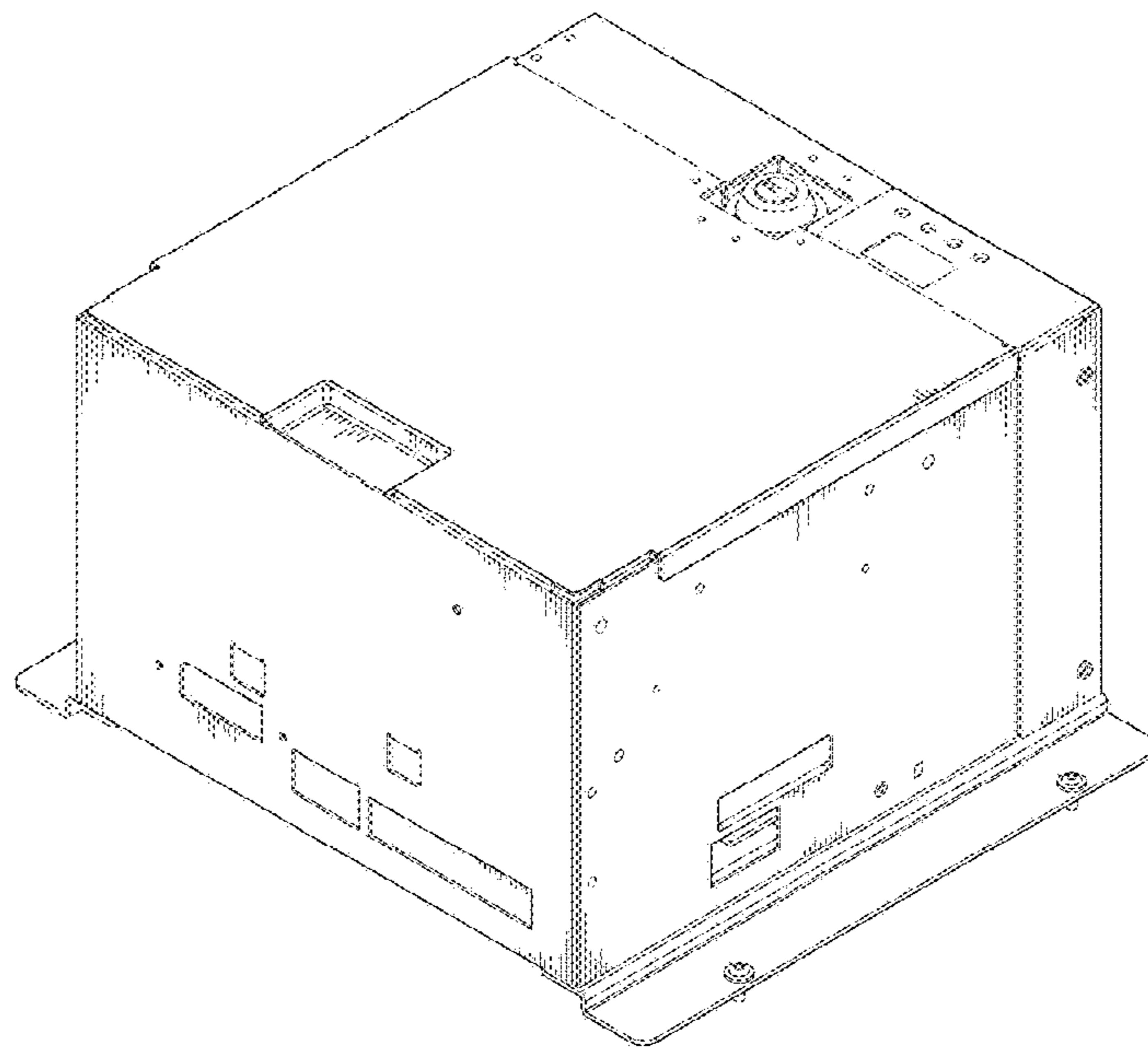


FIG. 1

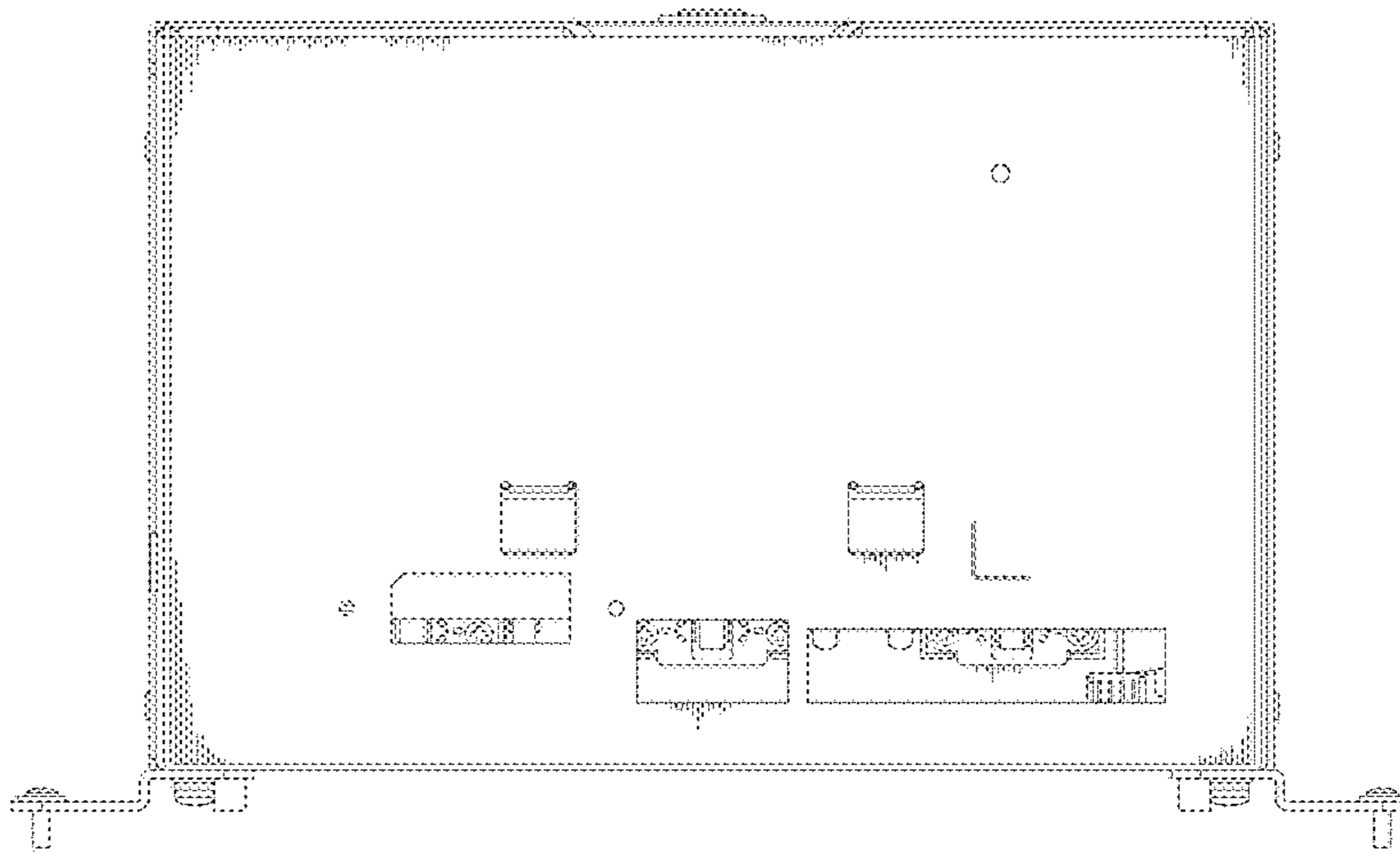


FIG. 2

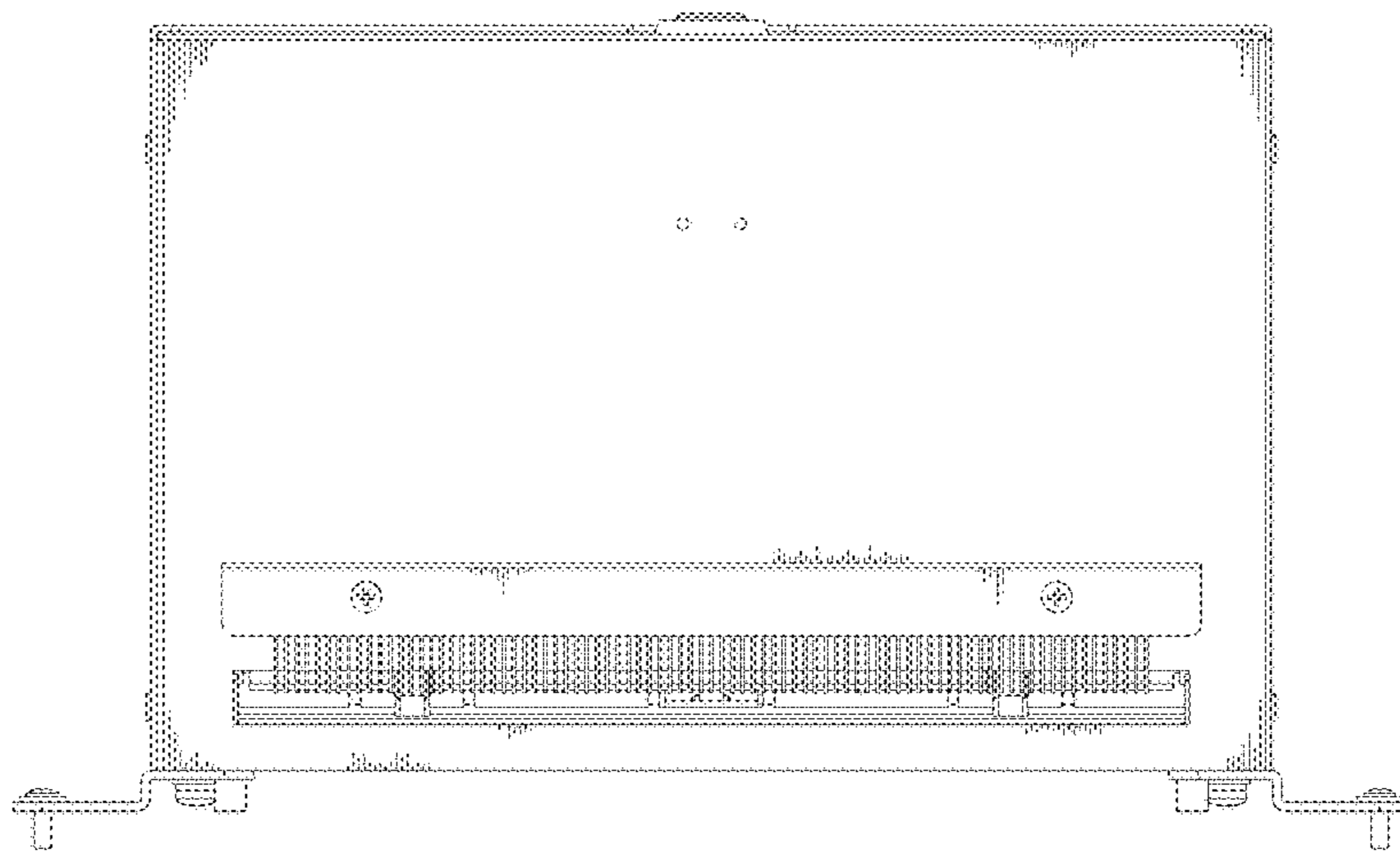


FIG. 3

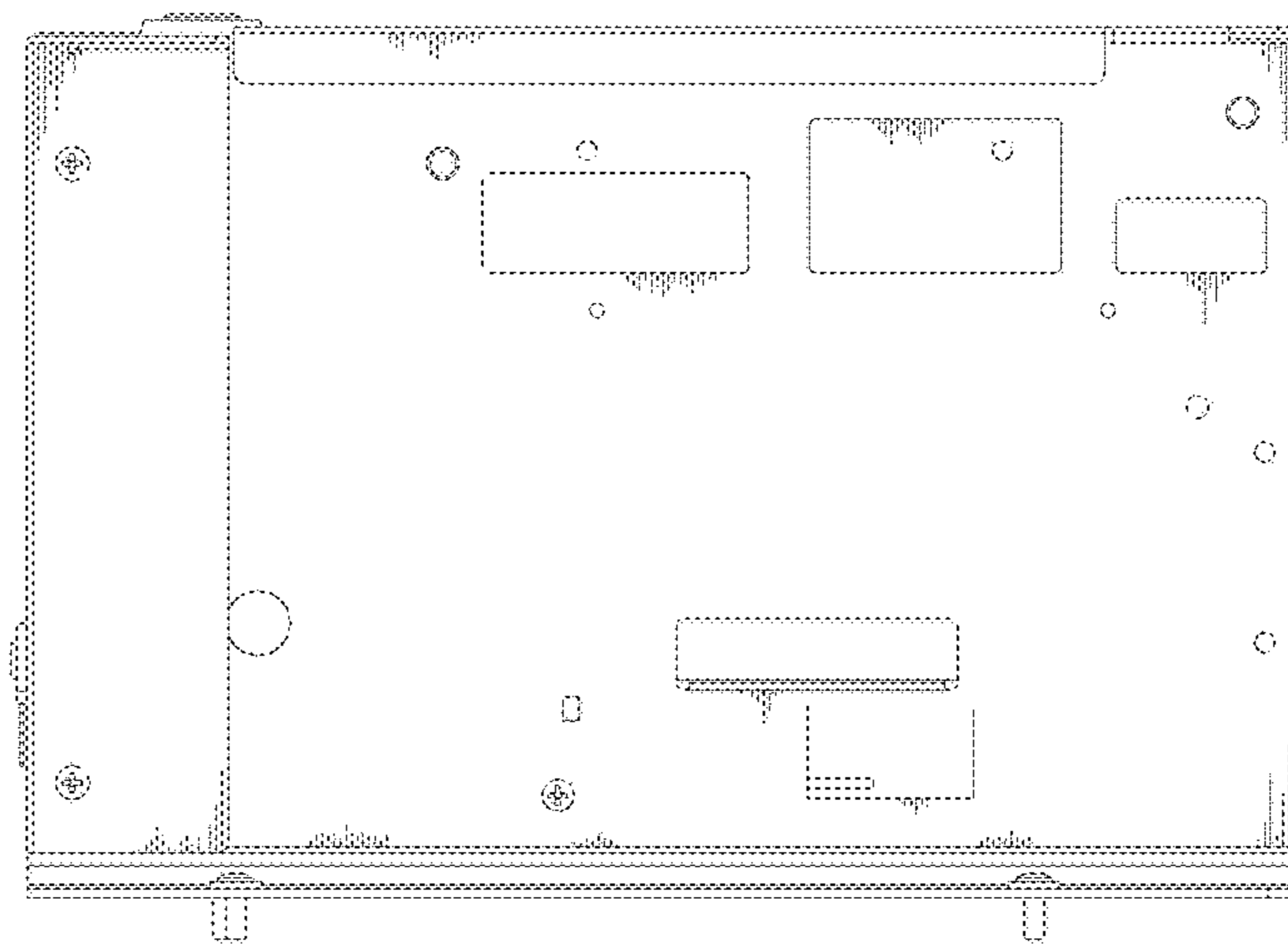


FIG. 4

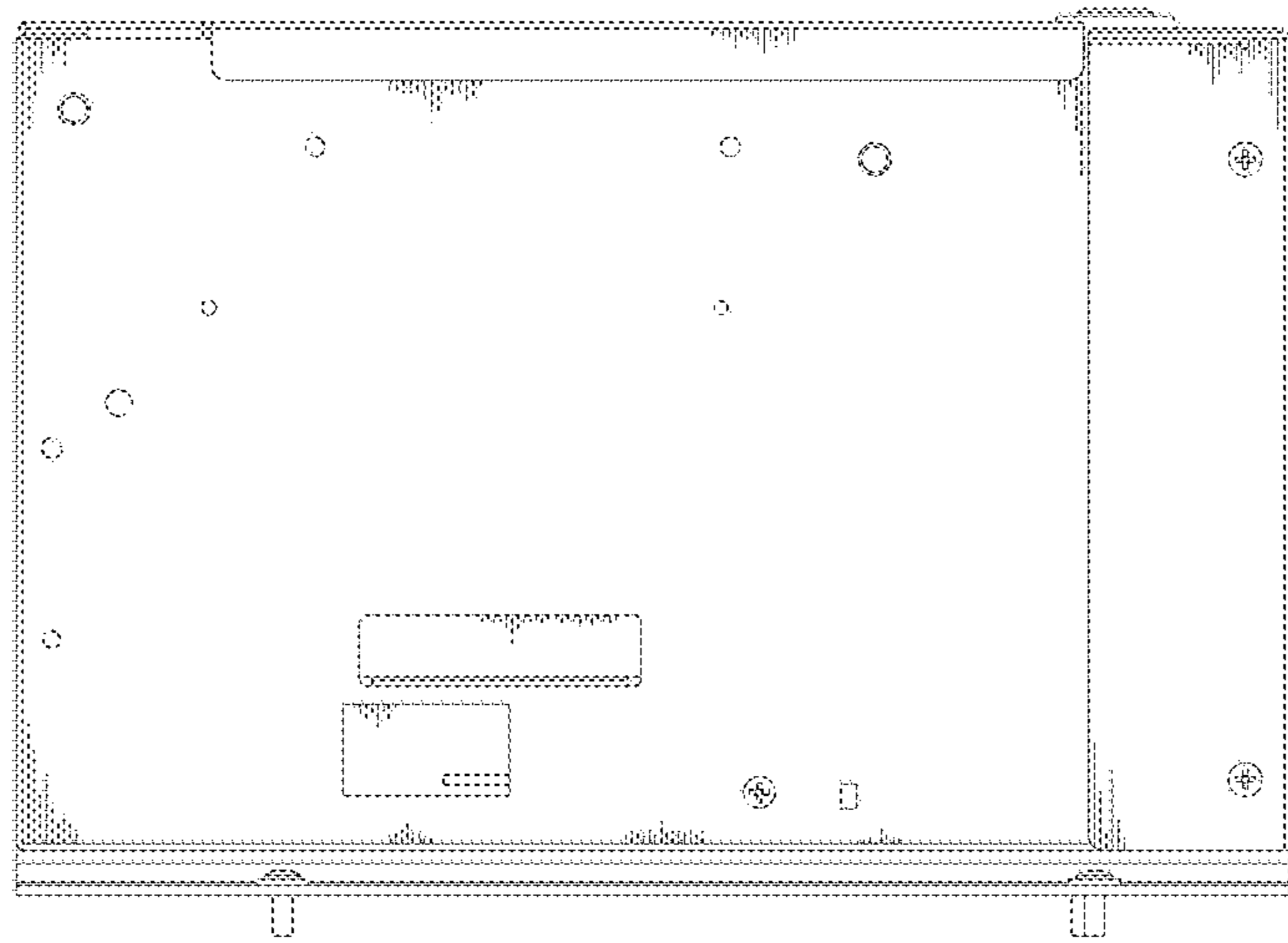


FIG. 5

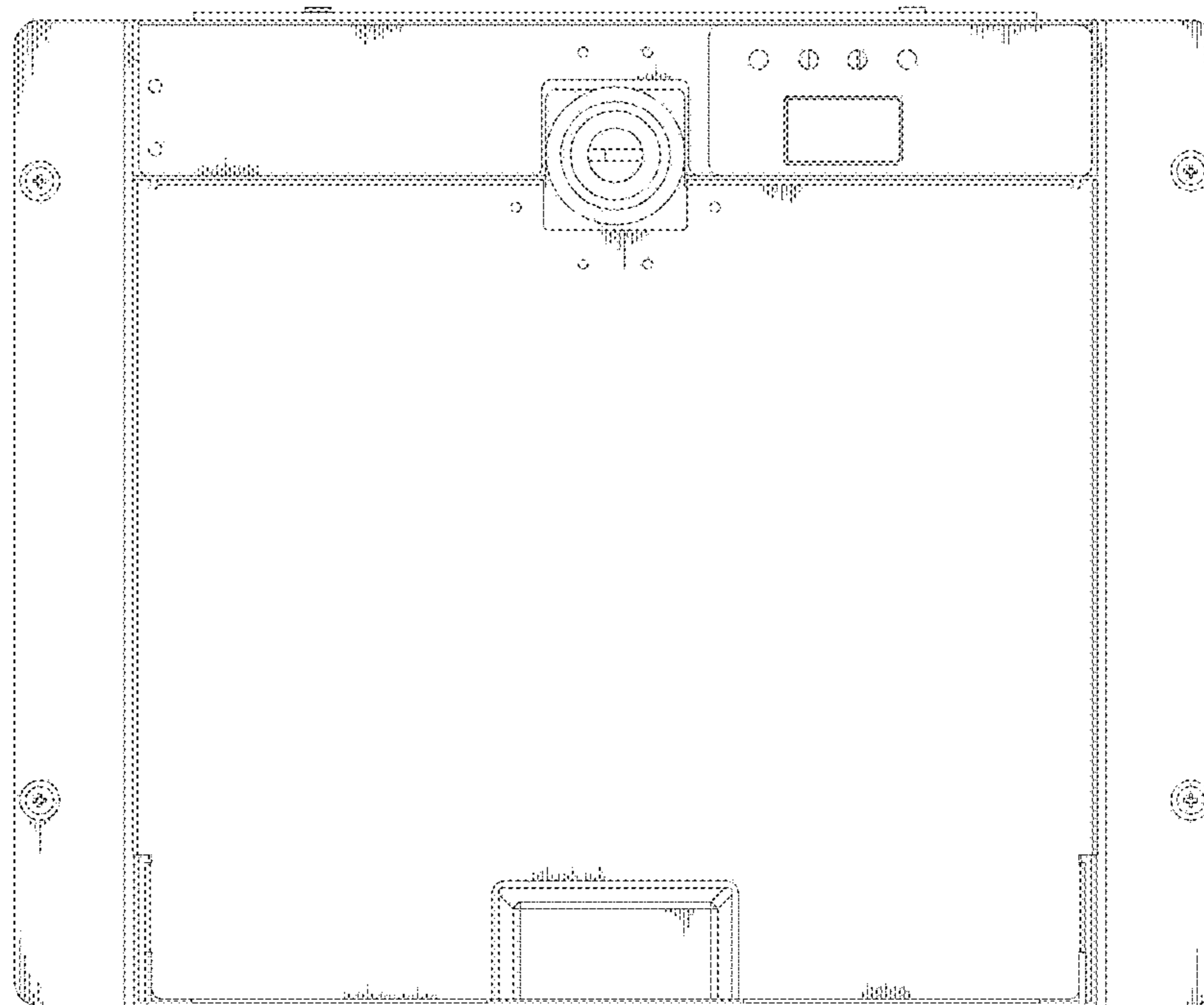


FIG. 6

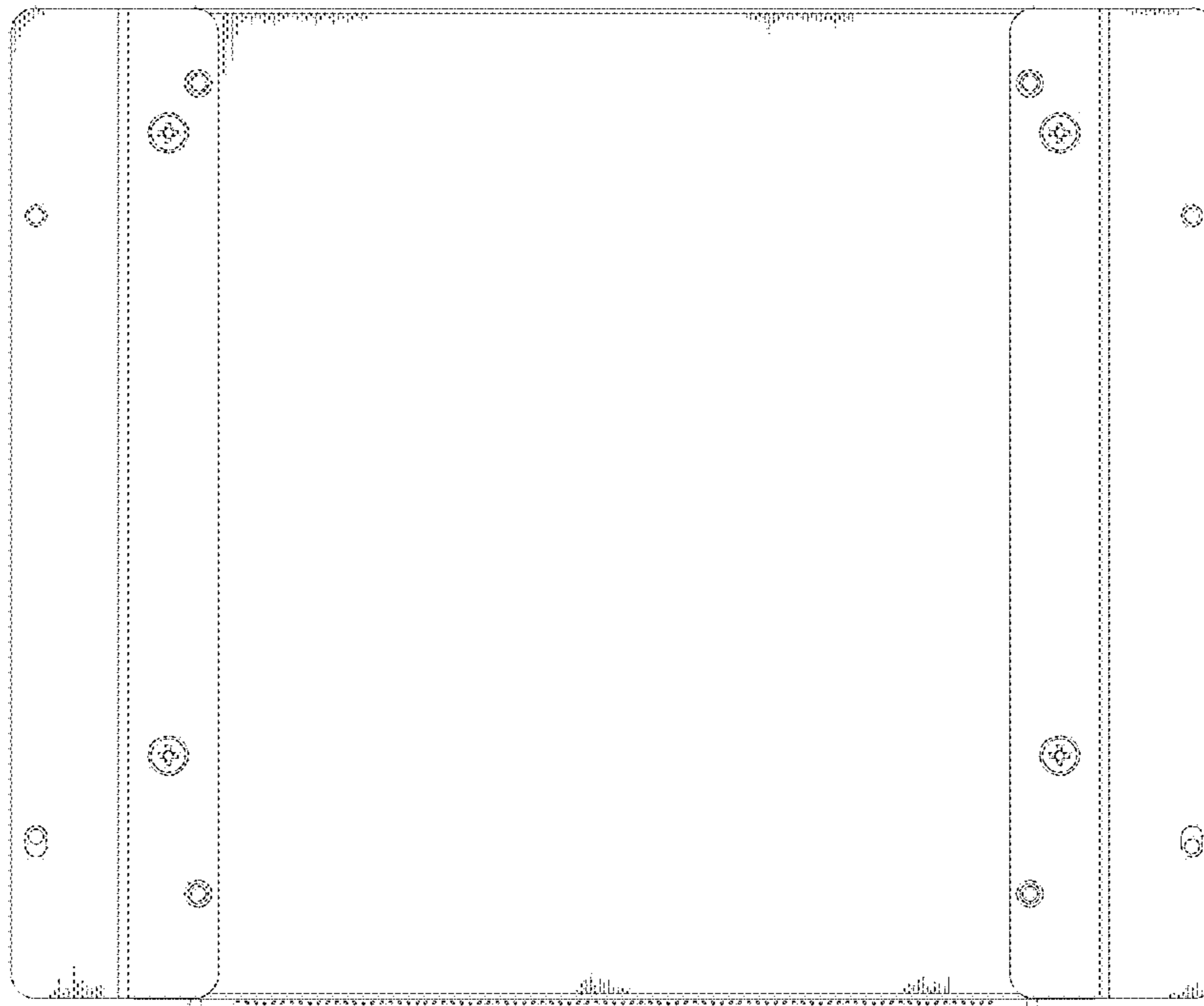


FIG. 7

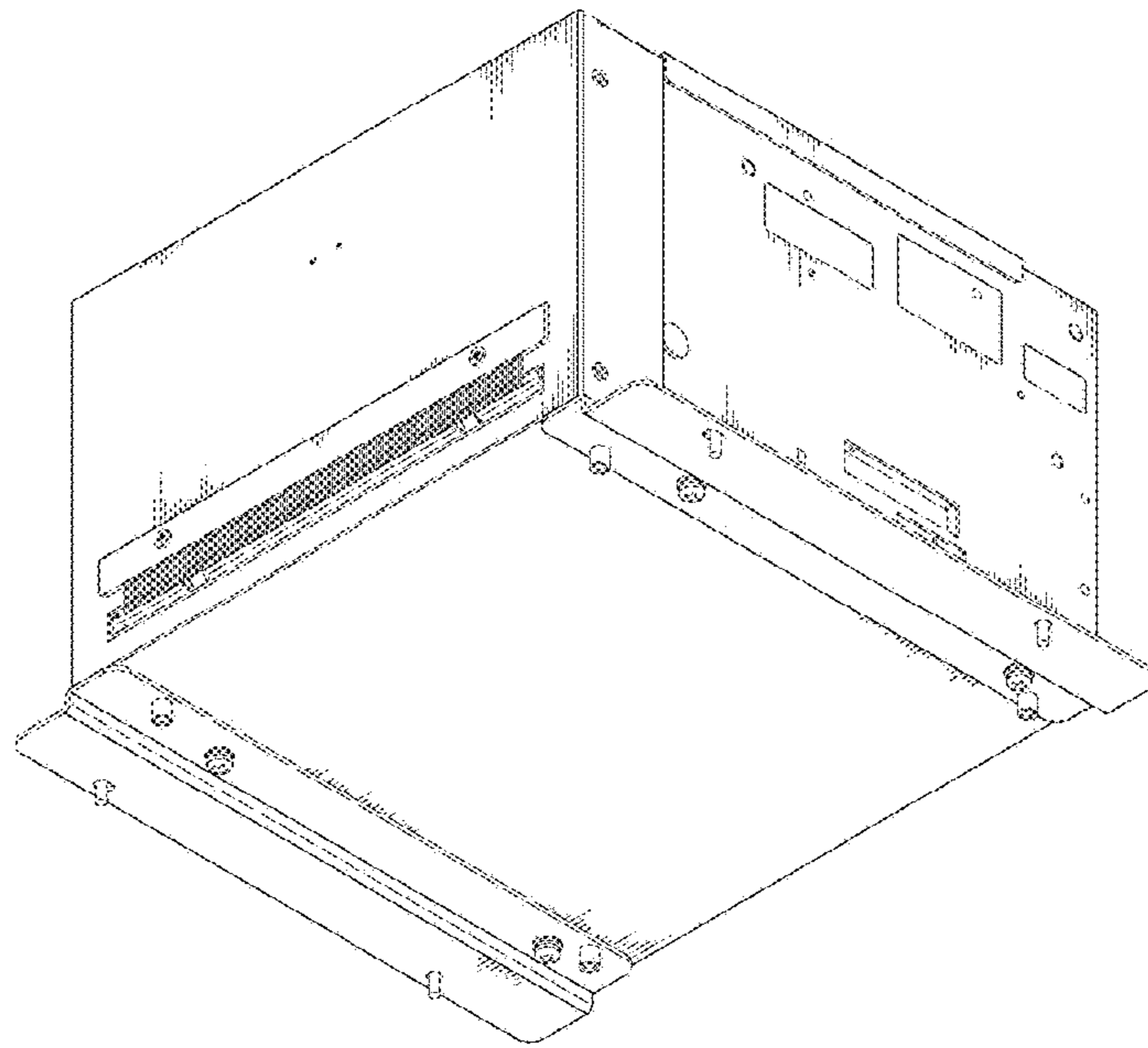


FIG. 8