



US00D854612S

(12) **United States Design Patent** (10) **Patent No.:** **US D854,612 S**
Chen (45) **Date of Patent:** **** Jul. 23, 2019**

(54) **ELECTRONIC DEVICE**

(71) Applicant: **Square, Inc.**, San Francisco, CA (US)

(72) Inventor: **Yenliang Chen**, San Francisco, CA (US)

(73) Assignee: **Square, Inc.**, San Francisco, CA (US)

(**) Term: **15 Years**

(21) Appl. No.: **29/637,763**

(22) Filed: **Feb. 21, 2018**

Related U.S. Application Data

(62) Division of application No. 29/582,655, filed on Oct. 28, 2016, now Pat. No. Des. 812,130.

(51) **LOC (11) Cl.** **18-01**

(52) **U.S. Cl.**
USPC **D18/4.6**

(58) **Field of Classification Search**

USPC D18/4.4, 4.5, 4.6, 2, 4.1, 4.3, 12, 12.1, D18/99; D14/300, 301, 302, 307, D14/333-340, 371, 375, 376, 496, 129, D14/130, 374, 383, 385, 387, 341, 388, D14/389, 900, 901, 902
CPC G06Q 20/00; G06Q 20/08; G06Q 20/20; G06Q 20/40; G06Q 20/204; G06Q 20/341; G07F 7/0873; G07F 7/088; G07G 1/0009; G07G 1/0018; G07G 1/0036; G07G 1/14

See application file for complete search history.

(56) **References Cited**

U.S. PATENT DOCUMENTS

D284,084 S 6/1986 Ferrara, Jr.
D289,291 S 4/1987 Kapper
4,788,420 A * 11/1988 Chang G06K 7/084 235/449
D309,296 S * 7/1990 Kohler D18/4.6
D321,172 S 10/1991 Moore, IV et al.

(Continued)

FOREIGN PATENT DOCUMENTS

CA 2 465 651 A1 5/2003
CA 2 842 057 A1 1/2013

(Continued)

OTHER PUBLICATIONS

Square made its own payment register. theverge.com. (online) 1 pg. Posted Oct. 30, 2017. [Retrieved on May 9, 2018] <https://www.theverge.com/2017/10/30/16572864/square-register-new-buying-coffee-what-new-tablet>.*

(Continued)

Primary Examiner — Susan Bennett Hattan

Assistant Examiner — Marie D. Fast Horse

(74) *Attorney, Agent, or Firm* — Lee & Hayes, P.C.

(57) **CLAIM**

The ornamental design for an electronic device, as shown and described.

DESCRIPTION

FIG. 1 is a first front perspective view of the electronic device;

FIG. 2 is a front view thereof;

FIG. 3 is a back view thereof;

FIG. 4 is a top view thereof;

FIG. 5 is a bottom view thereof;

FIG. 6 is a right-side view thereof;

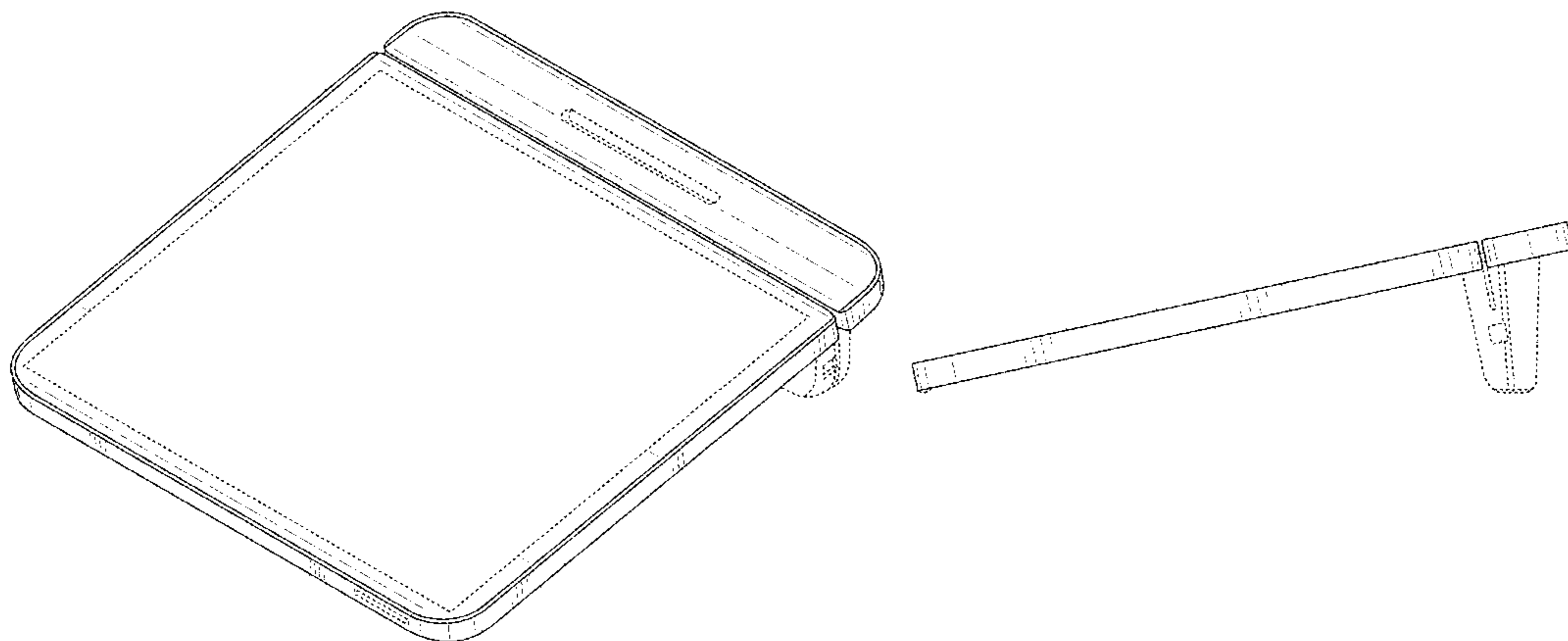
FIG. 7 is a left-side view thereof; and,

FIG. 8 is a second front perspective view thereof.

The additional broken lines in FIG. 8 showing the cord and the upright transaction terminal depict environmental structure only and form no part of the claim, while all other broken lines in the drawings depict portions of the electronic device that form no part of the claimed design.

The unshaded surfaces seen inside the card slot are not claimed.

1 Claim, 8 Drawing Sheets



(56)

References Cited

U.S. PATENT DOCUMENTS

D326,847 S	6/1992	Savio		D632,328 S *	2/2011	Dahl	D18/12
D327,472 S *	6/1992	Martin	D18/4.6	D638,012 S	5/2011	Tian et al.	
D327,877 S *	7/1992	Martin	D18/4.6	D638,019 S	5/2011	Weisshaupt	
D338,452 S *	8/1993	Allgeier	D14/374	7,949,567 B2 *	5/2011	Lum	G07F 7/088 235/379
D338,876 S	8/1993	Nair et al.		D639,301 S	6/2011	Anderson et al.	
D340,919 S	11/1993	Lee		D641,776 S *	7/2011	Race	D18/4.6
D342,239 S	12/1993	Hermann		D648,336 S	11/2011	Yagi	
D342,240 S *	12/1993	Saillant	D18/4.6	D648,373 S	11/2011	Hidaka	
D346,794 S *	5/1994	Arakaki	D18/4.6	D649,153 S	11/2011	Symons	
5,321,369 A	6/1994	Wolaver		D655,293 S	3/2012	Gioscia et al.	
D348,449 S	7/1994	Rodd et al.		D657,784 S	4/2012	Akana et al.	
D355,437 S *	2/1995	Reph	D18/4.6	D657,791 S	4/2012	Kim et al.	
D372,730 S *	8/1996	Sasaki	G07F 7/0873 D18/4.6	D661,305 S	6/2012	Andre et al.	
D386,781 S *	11/1997	Sasaki	D18/4.6	D662,089 S	6/2012	Gougherty et al.	
D390,836 S	2/1998	Takahashi		D664,144 S	7/2012	Akana et al.	
D397,682 S *	9/1998	Yotukura	D18/4.6	D665,011 S *	8/2012	Takahashi	D18/4.6
D409,650 S *	5/1999	Hanna	D18/4.6	D665,383 S	8/2012	McManigal et al.	
5,987,075 A	11/1999	Abe et al.		D669,888 S	10/2012	Gougherty et al.	
D423,470 S	4/2000	Neifer et al.		D672,386 S	12/2012	Matunuma et al.	
D424,098 S	5/2000	Kim		D673,152 S *	12/2012	Bousfield	D14/385
D425,800 S *	5/2000	Shin	D10/46	D673,952 S	1/2013	Toda et al.	
D428,046 S *	7/2000	Berger	D18/4.6	D675,617 S	2/2013	Daniel	
D451,535 S *	12/2001	Lee	D18/4.6	D676,900 S	2/2013	Ohno et al.	
6,340,932 B1	1/2002	Rodgers et al.		D681,036 S	4/2013	Taunay da Graca Couto	
D458,600 S	6/2002	Freitag et al.		D681,639 S	5/2013	Cruz et al.	
D467,584 S *	12/2002	Sabella	D14/385	D682,273 S	5/2013	Taunay da Graca Cuoto	
6,539,316 B1	3/2003	Doten et al.		D682,285 S	5/2013	Skinner et al.	
D472,898 S *	4/2003	Adams	D14/387	D682,830 S	5/2013	Taunay da Graca Couto	
D477,321 S *	7/2003	Baughman	D14/385	D683,141 S	5/2013	Symons	
D483,371 S *	12/2003	Johnston	D14/385	D684,574 S	6/2013	Taunay da Graca Couto	
D486,176 S *	2/2004	Flaherty	D18/4.6	D684,944 S	6/2013	Seong	
D489,325 S	5/2004	Nakamura		D684,970 S *	6/2013	Zhang	D14/341
D496,658 S	9/2004	Koloski et al.		8,472,560 B2	6/2013	Rezayee et al.	
D501,208 S	1/2005	Ozolins et al.		D687,036 S	7/2013	Seong et al.	
D501,853 S	2/2005	Koloski et al.		D687,484 S	8/2013	Eun	
D502,727 S *	3/2005	Slinckx	D18/4.6	D687,832 S	8/2013	Edwards et al.	
D504,147 S *	4/2005	Slinckx	D18/4.6	D689,921 S	9/2013	Branck et al.	
D508,245 S	8/2005	Ozolins et al.		D691,141 S	10/2013	Cruz	
7,054,595 B2	5/2006	Bann		D691,604 S	10/2013	Seong et al.	
D524,448 S	7/2006	Telimaa et al.		D691,998 S	10/2013	Seo et al.	
D525,282 S	7/2006	Barnes et al.		D692,885 S	11/2013	Cruz	
D526,002 S	8/2006	Nakajima et al.		D693,607 S	11/2013	Johnson et al.	
D527,760 S *	9/2006	Ono	D18/4.6	D698,384 S	1/2014	Cruz	
D529,073 S *	9/2006	Ono	D18/4.6	D703,631 S	4/2014	Haller et al.	
D535,994 S	1/2007	Leibenguth		D703,670 S	4/2014	Rotsaert	
D536,726 S	2/2007	Ono		D706,266 S	6/2014	Rotsaert	
7,197,279 B2	3/2007	Bellantoni		D706,863 S	6/2014	Branck et al.	
D539,797 S	4/2007	Chiang et al.		D706,864 S	6/2014	Branck et al.	
D542,791 S	5/2007	Fitch et al.		D707,288 S	6/2014	Branck et al.	
D544,903 S	6/2007	Henry et al.		D707,676 S	6/2014	Azuma	
D547,361 S	7/2007	Henry		D707,677 S	6/2014	Azuma	
D553,669 S *	10/2007	Henry	D18/4.6	D707,685 S	6/2014	Johnson et al.	
D554,640 S	11/2007	Ponnert et al.		D709,069 S *	7/2014	Cruz	D14/385
D558,765 S *	1/2008	Fitler	D14/385	D710,358 S	8/2014	Park et al.	
D561,243 S *	2/2008	Dahl	D18/4.6	D711,460 S	8/2014	Schwarzkopf et al.	
7,433,185 B1	10/2008	Curran et al.		D713,447 S	9/2014	Balar et al.	
D580,383 S	11/2008	Kuramashi		D716,300 S	10/2014	Cruz et al.	
7,525,438 B2	4/2009	Hyde et al.		D716,301 S	10/2014	Almond	
D592,658 S	5/2009	Sugiyama et al.		D716,370 S	10/2014	Park et al.	
D594,055 S	6/2009	Hagiwara et al.		D716,372 S *	10/2014	Lee	D18/4.6
D596,626 S *	7/2009	Andre	D14/240	D716,796 S *	11/2014	Clegg	D14/341
D601,585 S	10/2009	Andre et al.		D719,142 S	12/2014	Lee et al.	
D604,298 S *	11/2009	Fowler	D14/341	D720,000 S	12/2014	Lyons et al.	
D606,545 S	12/2009	Salmon		D722,985 S	2/2015	Won et al.	
D611,223 S *	3/2010	Kuhn	D99/28	D723,031 S	2/2015	Rawal	
7,689,195 B2	3/2010	Wu et al.		D724,040 S	3/2015	Chan	
D613,283 S	4/2010	Andre et al.		D725,057 S	3/2015	Seo et al.	
D615,120 S	5/2010	Ono		D725,109 S	3/2015	Azuma	
D615,543 S *	5/2010	Padilla	D14/385	D725,180 S *	3/2015	Azuma	D18/4.4
D615,583 S	5/2010	Ono		D725,181 S *	3/2015	Azuma	D18/4.4
D621,397 S *	8/2010	Andre	D14/314	D725,182 S	3/2015	Haller et al.	
D624,115 S	9/2010	Ausems et al.		D725,699 S	3/2015	Eun	
D628,576 S	12/2010	Daniel		D727,898 S	4/2015	Yum et al.	
D631,042 S	1/2011	Chen		D727,902 S	4/2015	Saulnier, III	
				D728,675 S *	5/2015	Daniel	D14/383
				D728,676 S *	5/2015	Reines	D18/6
				D729,244 S	5/2015	Toh et al.	
				D729,801 S	5/2015	Daniel	

(56)

References Cited

U.S. PATENT DOCUMENTS

RE45,547 E 6/2015 Andre et al.
D731,501 S 6/2015 Tseng et al.
D732,029 S 6/2015 Huh et al.
D732,037 S 6/2015 Wylie
9,070,062 B2 6/2015 Rezayee
9,092,766 B1 7/2015 Bedier et al.
D735,717 S * 8/2015 Lam D14/341
D735,802 S 8/2015 Lyons et al.
D735,805 S 8/2015 Haller
D740,285 S 10/2015 Templeton
D740,286 S 10/2015 Templeton
D740,819 S 10/2015 Weber et al.
D740,820 S 10/2015 Templeton et al.
D743,394 S 11/2015 Chang et al.
RE45,816 E 12/2015 Andre et al.
D744,479 S 12/2015 Haller et al.
D746,902 S 1/2016 Lyons et al.
D747,763 S 1/2016 Haller
D748,630 S 2/2016 Helwig et al.
D752,587 S 3/2016 Gong
9,323,961 B2 4/2016 Azuma
D755,783 S 5/2016 Shi et al.
D755,796 S 5/2016 Gibson
D756,367 S 5/2016 Kim
D757,821 S * 5/2016 Leopardi D14/341
D760,724 S 7/2016 Kang et al.
D761,260 S 7/2016 Luo
D761,350 S 7/2016 Beatty et al.
D761,899 S 7/2016 Beatty et al.
D762,258 S 7/2016 Jenkins
D762,766 S 8/2016 Bedier et al.
D763,255 S 8/2016 Lee
D763,346 S 8/2016 Jenkins
D764,419 S 8/2016 Kashimoto
D764,458 S 8/2016 Jobetto et al.
D765,623 S 9/2016 Yang et al.
D766,901 S 9/2016 Nguyen
D767,508 S 9/2016 Dimberg et al.
D770,449 S 11/2016 Bae et al.
D770,450 S 11/2016 Bae et al.
D771,628 S 11/2016 Bae et al.
D772,335 S 11/2016 Mantrawadi et al.
D772,864 S 11/2016 Musch et al.
D773,455 S 12/2016 Lee et al.
D774,510 S 12/2016 Rotsaert
D777,683 S 1/2017 Kashimoto
D778,982 S 2/2017 Beatty et al.
D779,459 S 2/2017 Schlossberg et al.
D780,187 S 2/2017 Lee
9,569,648 B2 2/2017 Rezayee
D781,372 S 3/2017 Floersch et al.
D784,331 S 4/2017 Balch et al.
D787,510 S 5/2017 Kitade
9,659,466 B1 5/2017 Chen et al.
D788,780 S 6/2017 Chen
D790,536 S 6/2017 Kitade
9,678,846 B2 6/2017 Lam et al.
D791,860 S 7/2017 Greaves et al.
D791,861 S 7/2017 Battle
D792,415 S 7/2017 Tsai
D794,021 S * 8/2017 Rhodes D14/341
D794,580 S 8/2017 Dimberg et al.
D795,869 S 8/2017 Templeton
D797,106 S 9/2017 Paolizzi et al.
D797,739 S 9/2017 Templeton
D797,740 S 9/2017 Nguyen
D798,378 S 9/2017 Kim
D798,871 S 10/2017 Avganim
D799,494 S 10/2017 Lee
D804,483 S 12/2017 Minoli
9,846,796 B2 12/2017 Rezayee
D806,450 S 1/2018 Seong
D810,816 S 2/2018 Chen
D811,472 S 2/2018 Chen
D812,130 S * 3/2018 Chen D18/4.6

D812,564 S 3/2018 Feng
D815,077 S * 4/2018 Sibley D14/242
D831,107 S 10/2018 Chen
2006/0186995 A1 8/2006 Wu et al.
2006/0198097 A1 9/2006 Kuwajima et al.
2007/0013486 A1 1/2007 Yeoh et al.
2007/0060221 A1 3/2007 Burgan et al.
2007/0205871 A1 9/2007 Posamentier
2008/0089453 A1 4/2008 Komatsu
2008/0291615 A1 11/2008 Sakata et al.
2009/0109003 A1 4/2009 Tucker et al.
2009/0316343 A1 12/2009 Tang
2009/0325511 A1 12/2009 Kim
2010/0043503 A1 2/2010 Yao
2010/0093279 A1 4/2010 Linsky et al.
2011/0248825 A1 10/2011 Hamel et al.
2012/0145787 A1 6/2012 Lin
2012/0300870 A1 11/2012 Dickey
2013/0155595 A1 6/2013 Herring et al.
2013/0320177 A1 12/2013 Chen et al.
2014/0144988 A1 5/2014 Chiang
2014/0227986 A1 8/2014 Kanno
2014/0236744 A1 8/2014 Drew et al.
2014/0279116 A1 9/2014 Vasquez et al.
2014/0347000 A1 11/2014 Hamann et al.
2015/0001291 A1 1/2015 Govindarajan et al.
2015/0149311 A1 5/2015 Ward et al.
2015/0193754 A1 7/2015 Lam et al.
2015/0213416 A1 7/2015 Lam et al.
2015/0213424 A1 7/2015 Lam et al.
2016/0005274 A1 1/2016 Wang et al.
2016/0029797 A1 2/2016 King
2016/0051067 A1 2/2016 Law et al.
2016/0070964 A1 3/2016 Conrad
2016/0232508 A1 8/2016 Nishiie et al.
2016/0335037 A1 11/2016 Baranowski et al.
2017/0061746 A1 3/2017 Tanaka
2017/0140615 A1 5/2017 Larnac et al.
2017/0278361 A1 9/2017 Fujimoto
2018/0096341 A1 4/2018 Shivraine et al.

FOREIGN PATENT DOCUMENTS

EP 0 992 931 A1 4/2000
EP 2 636 195 B1 7/2015
JP D1596059 S 1/2018
JP D1596060 S 1/2018
JP D1596061 S 1/2018
WO 2012/058749 A1 5/2012
WO 2013/006954 A1 1/2013
WO 2018/067559 A1 4/2018

OTHER PUBLICATIONS

“Sales Terminals,” (Design—© Questel). orbit.com, dated Feb. 27, 1995 through Feb. 22, 2017, Retrieved from the Internet URL: <https://sobjprd.questel.fr/export/QPTUJ214/pdf2/c5db0b62-727b-4859-90a4-31e876dab4e0-144030.pdf>, on Oct. 12, 2017, pp. 1-32.
Examination Report for European Design Applications No. 003877851-0001/003877851-0008, dated May 12, 2017.
English-language translation of Notice to Grant for Chinese Design Application No. 2017301490089, dated Aug. 3, 2017.
Notice of Allowance dated Oct. 31, 2017, for Design U.S. Appl. No. 29/582,639, of Chen, Y., filed Oct. 28, 2016.
Notice of Allowance dated Oct. 31, 2017, for Design U.S. Appl. No. 29/582,655, of Chen, Y., filed Oct. 28, 2016.
Notice of Allowance dated Oct. 31, 2017, for Design U.S. Appl. No. 29/582,668, of Chen, Y., filed Oct. 28, 2016.
First Examiner’s Report for Canadian Design Application No. 174469, dated Nov. 1, 2017.
First Examiner’s Report for Canadian Design Application No. 174468, dated Nov. 1, 2017.
First Examiner’s Report for Canadian Design Application No. 174467, dated Nov. 1, 2017.
Certificate of Registration for European Design Application No. 003877851-0001 dated Nov. 9, 2017.

(56)

References Cited

OTHER PUBLICATIONS

Certificate of Registration for European Design Application No. 003877851-0002 dated Nov. 9, 2017.
Certificate of Registration for European Design Application No. 003877851-0003 dated Nov. 9, 2017.
Certificate of Registration for European Design Application No. 003877851-0004 dated Nov. 9, 2017.
Certificate of Registration for European Design Application No. 003877851-0005 dated Nov. 9, 2017.
Certificate of Registration for European Design Application No. 003877851-0006 dated Nov. 9, 2017.
Certificate of Registration for European Design Application No. 003877851-0007 dated Nov. 9, 2017.
Certificate of Registration for European Design Application No. 003877851-0008 dated Nov. 9, 2017.
Corrected Notice of Allowance dated Dec. 1, 2017, for Design U.S. Appl. No. 29/582,655, of Chen, Y., filed Oct. 28, 2016.
English-language translation of Notification to Grant for Chinese Design Application No. 2017301490182, dated Jan. 4, 2018.
Finkenzeller, K., "RFID Handbook: Fundamentals and Applications in Contactless Smart Cards and Identification," Second Edition, New York: Wiley & Sons Ltd., pp. 135 (2003), Part 1.
Finkenzeller, K., "RFID Handbook: Fundamentals and Applications in Contactless Smart Cards and Identification," Second Edition, New York: Wiley & Sons Ltd., pp. 165 (2003), Part 2.
Finkenzeller, K., "RFID Handbook: Fundamentals and Applications in Contactless Smart Cards and Identification," Second Edition, New York: Wiley & Sons Ltd., pp. 135 (2003), Part 3.
Notice of Allowance dated Jan. 9, 2013, for U.S. Appl. No. 12/917,901, of Rezayee, A., et al., filed Nov. 2, 2010.
Notice of Allowance dated Apr. 3, 2013, for U.S. Appl. No. 12/917,901, of Rezayee, A., et al., filed Nov. 2, 2010.
Non-Final Office Action dated Sep. 4, 2014, for U.S. Appl. No. 13/544,326, of Rezayee, A., filed Jul. 9, 2012.

Notice of Allowance dated Feb. 13, 2015, for U.S. Appl. No. 13/544,326, of Rezayee, A., filed Jul. 9, 2012.
Non Final Office Action dated Sep. 17, 2015, for U.S. Appl. No. 14/701,281, of Rezayee, A., filed Apr. 30, 2015.
Final Office Action dated Feb. 17, 2016, for U.S. Appl. No. 14/701,281, of Rezayee, A., filed Apr. 30, 2015.
Non-Final Office Action dated Apr. 29, 2016, for U.S. Appl. No. 14/701,281, of Rezayee, A., filed Apr. 30, 2015.
Notice of Allowance for Canadian Patent Application No. 2,816,767, dated Aug. 5, 2016.
Examiner Requisition for Canadian Patent Application No. 2,842,057, dated Sep. 2, 2016.
Notice of Allowance dated Sep. 29, 2016, for U.S. Appl. No. 14/701,281, of Rezayee, A., filed Apr. 30, 2015.
Non-Final Office Action dated Mar. 3, 2017, for U.S. Appl. No. 15/380,946, of Rezayee, A., filed Dec. 15, 2016.
Notice of Allowance for Canadian Patent Application No. 2,842,057, dated Mar. 27, 2017.
Notice of Allowance dated Aug. 14, 2017, for U.S. Appl. No. 15/380,946, of Rezayee, A., filed Dec. 15, 2016.
English-language translation of Certificate of Patent for Design for Chinese Design Application No. 2017301490089, dated Feb. 2, 2018.
English-language translation of Certificate of Patent for Design for Chinese Design Application No. 2017301490182, dated Apr. 6, 2018.
Notice of Allowance dated Jun. 6, 2018, for Design U.S. Appl. No. 29/637,758, of Chen, Y., filed Feb. 21, 2018.
International Search Report and Written Opinion for International Application No. PCT/CA2011/001185, dated Jan. 9, 2012.
International Search Report and Written Opinion for International Application No. PCT/CA2012/000659, dated Oct. 15, 2012.
Extended European Search Report for European Patent Application No. 11837351.3, dated Jul. 4, 2014.
International Search Report and Written Opinion for International Application No. PCT/US2017/054929, dated Dec. 21, 2017.

* cited by examiner

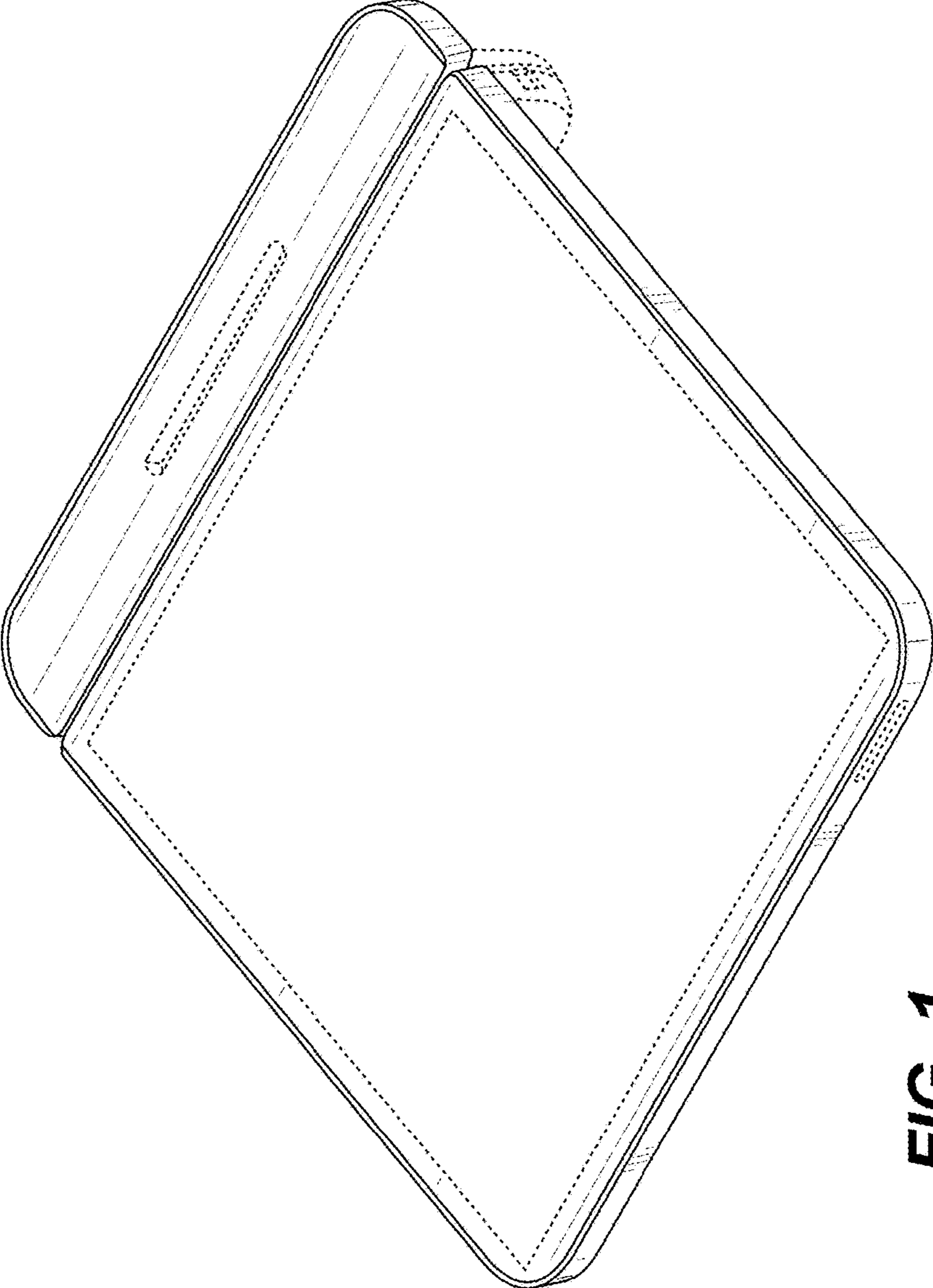


FIG. 1

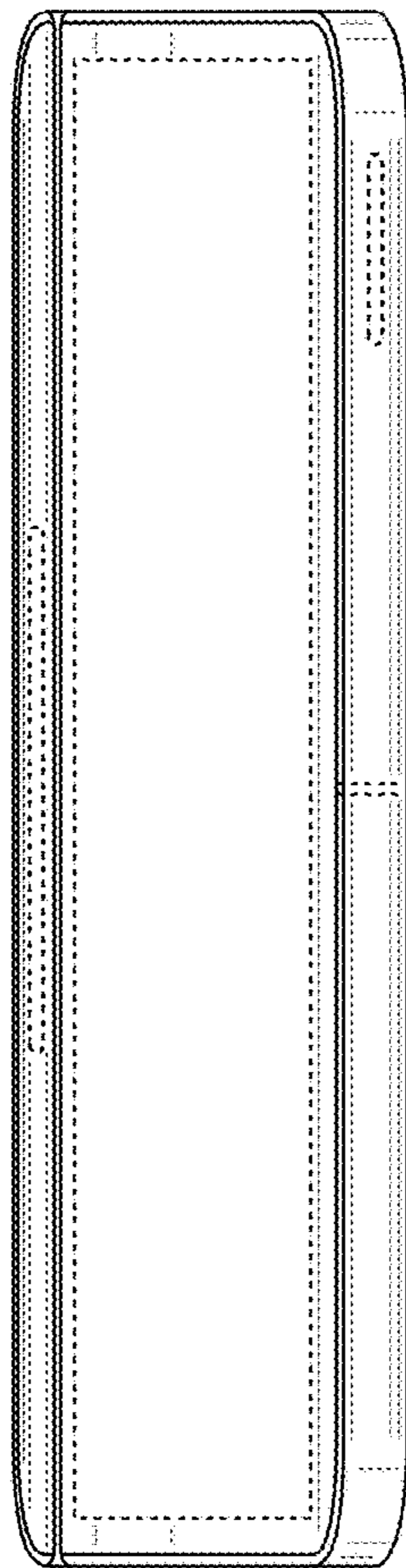


FIG. 2

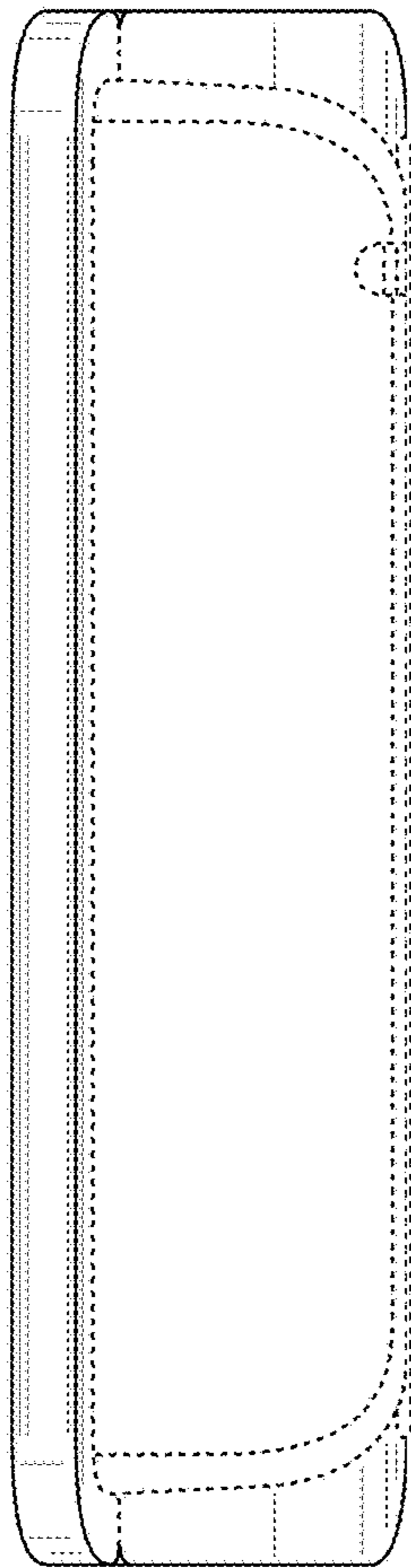


FIG. 3

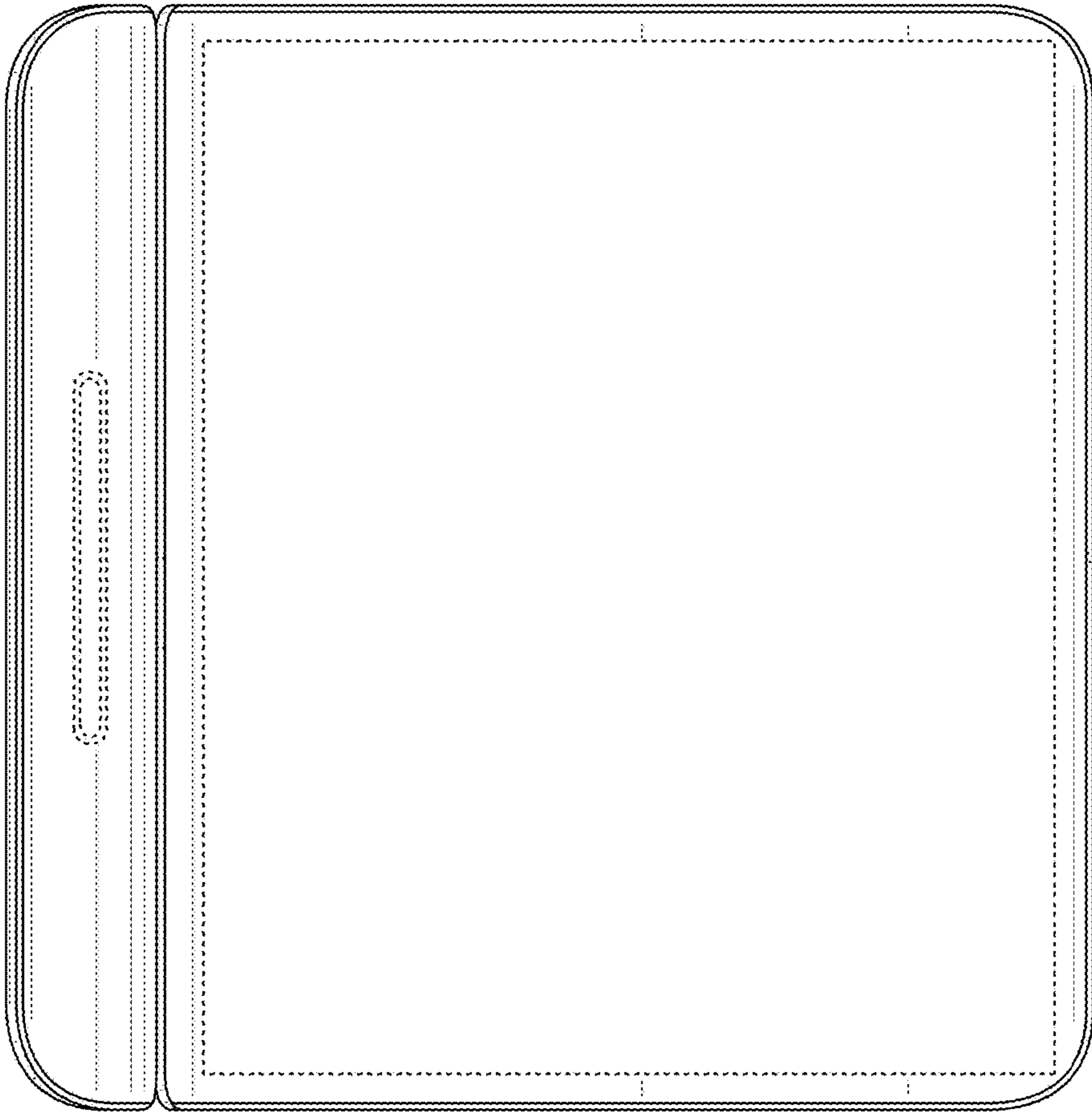


FIG. 4

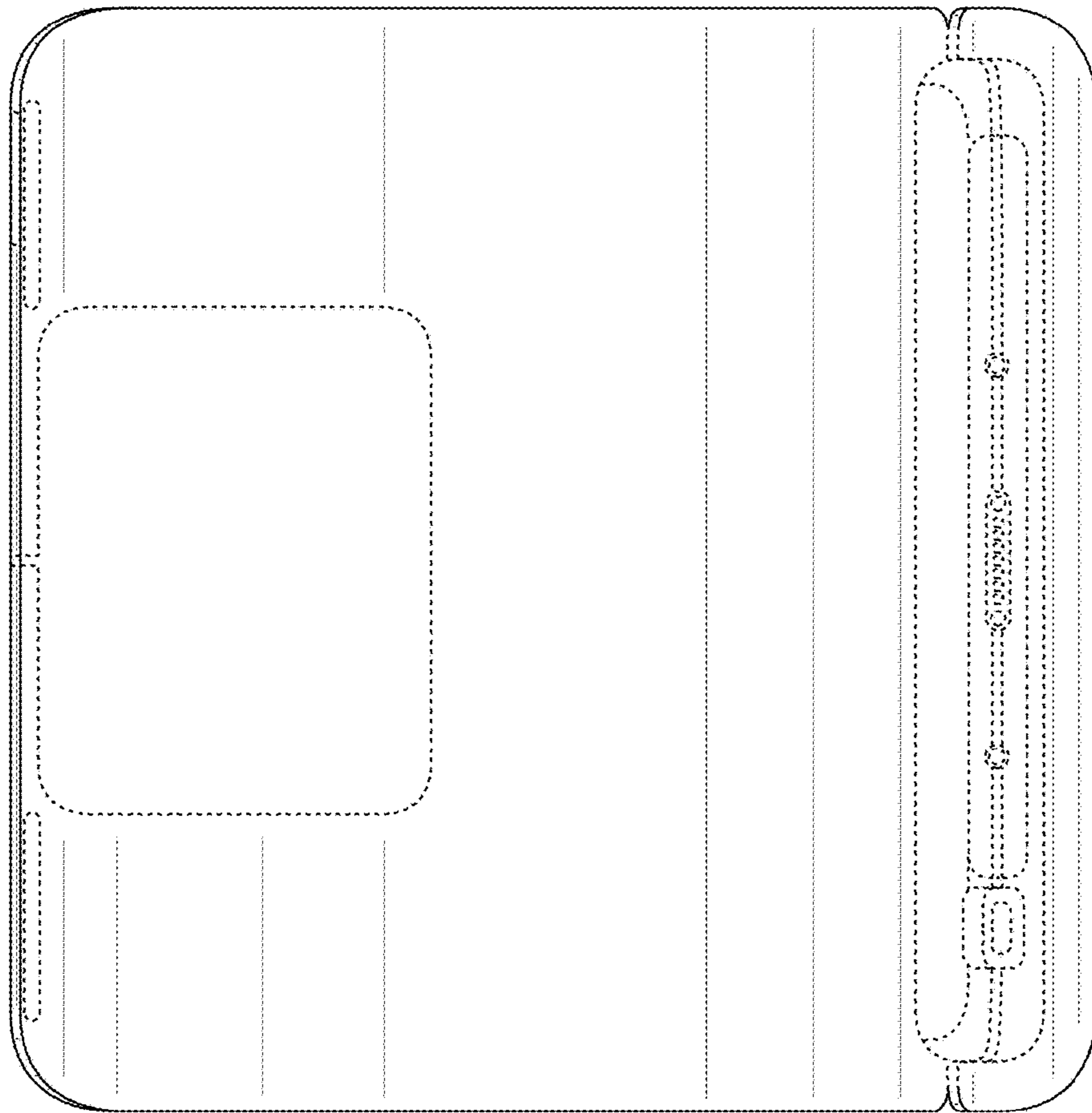


FIG. 5

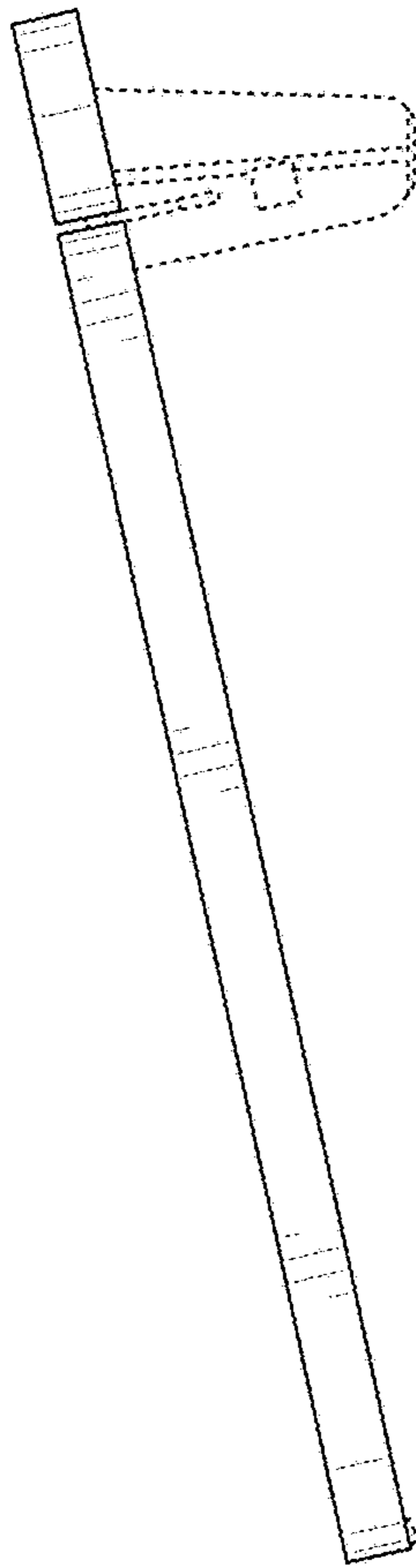


FIG. 6

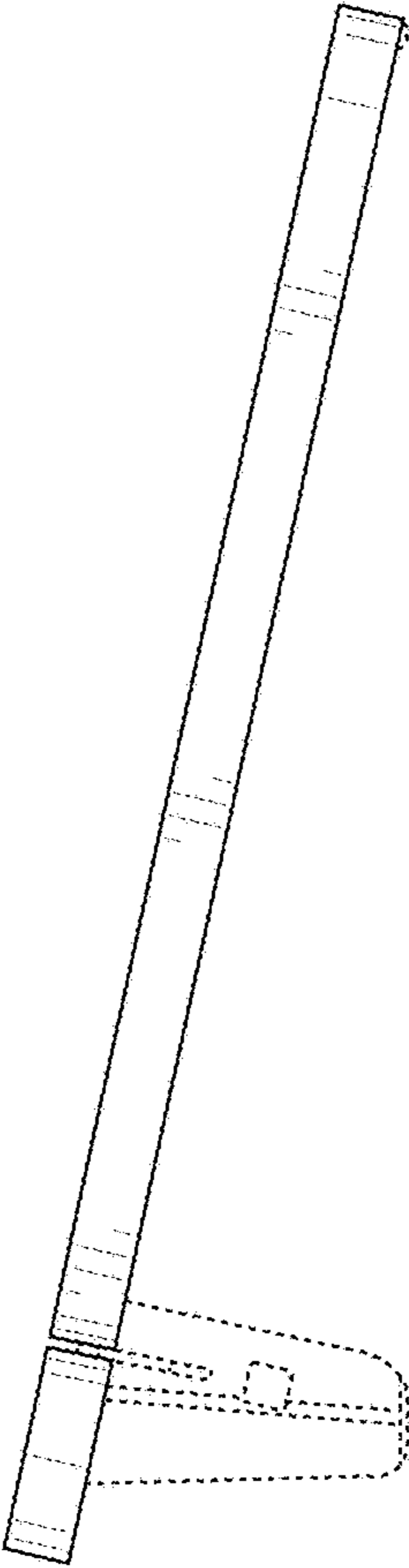


FIG. 7

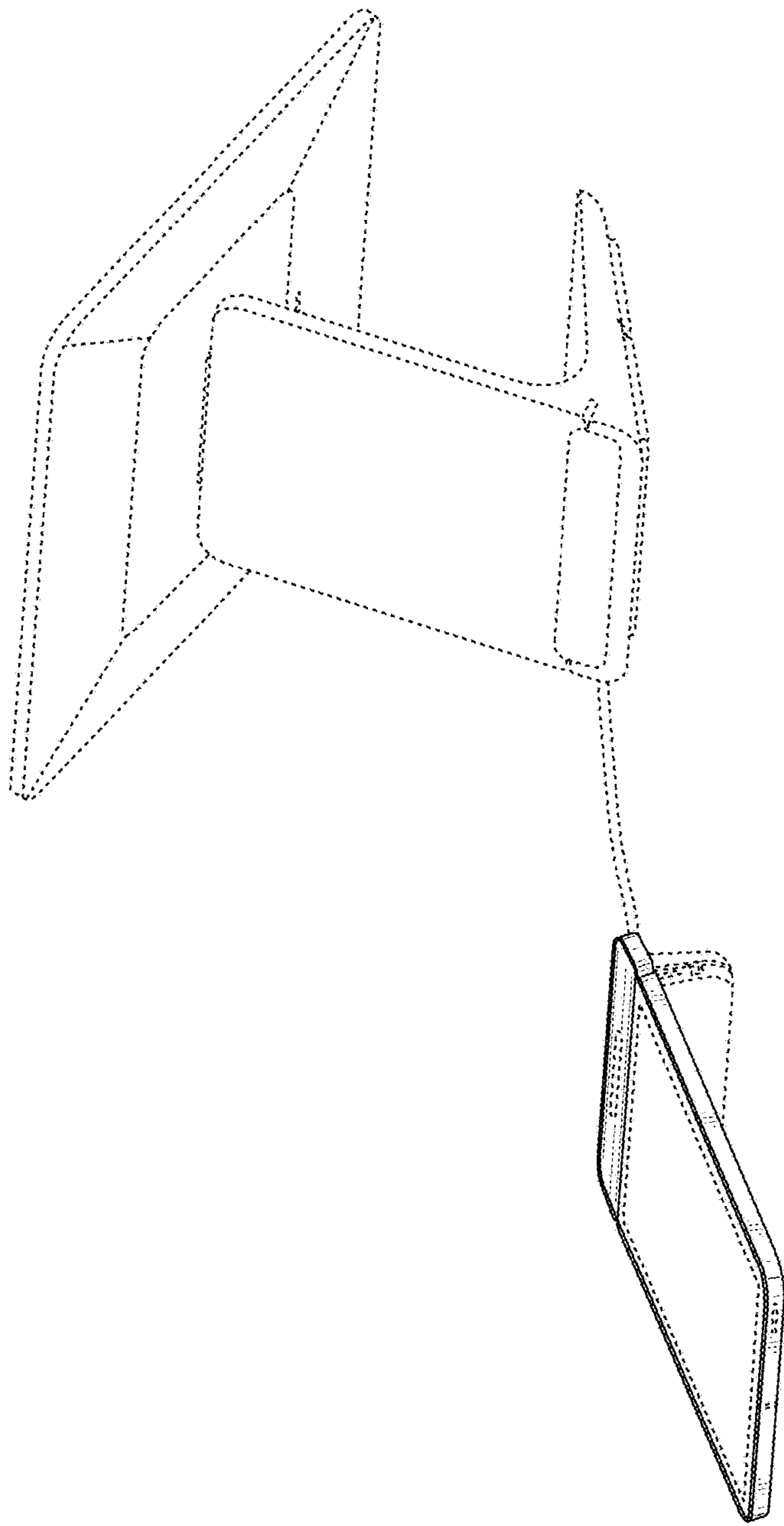


FIG. 8