



US00D854610S

(12) **United States Design Patent** (10) **Patent No.:** **US D854,610 S**  
**Janicek** (45) **Date of Patent:** **\*\* Jul. 23, 2019**

(54) **PLECTRUM**

(56) **References Cited**

(71) Applicant: **JANICEK PICKS, S.R.O.**, Ceska Trebova (CZ)

U.S. PATENT DOCUMENTS

(72) Inventor: **Jan Janicek**, Ceska Trebova (CZ)

D346,177 S \* 4/1994 Reineck ..... D17/20  
6,245,977 B1 \* 6/2001 Byrns ..... G10D 3/163  
84/320

(73) Assignee: **JANICEK PICKS, S.R.O.**, Ceska Trebova (CZ)

D519,149 S \* 4/2006 Ball ..... 84/322  
D654,532 S \* 2/2012 Morales ..... D17/20  
D661,726 S \* 6/2012 Goble ..... D17/20  
8,330,029 B2 \* 12/2012 Dunlop ..... B25G 1/102  
36/59 C

(\*\*) Term: **15 Years**

D688,734 S \* 8/2013 Bordelon ..... D17/20  
D738,953 S \* 9/2015 Panagiotes ..... D17/20  
D738,954 S \* 9/2015 Panagiotes ..... D17/20  
D775,270 S \* 12/2016 Moffat ..... D17/20  
D792,502 S \* 7/2017 Goble ..... D17/20

(21) Appl. No.: **29/624,523**

(22) Filed: **Nov. 1, 2017**

\* cited by examiner

**Related U.S. Application Data**

(62) Division of application No. 35/501,658, filed on Apr. 4, 2016 (U.S. filing date under 35 U.S.C. 384), and having an international filing date of Apr. 4, 2016, now Pat. No. Des. 838,769.

*Primary Examiner* — Richard E Chilcot

(74) *Attorney, Agent, or Firm* — Notaro, Michalos & Zaccaria P.C.

(30) **Foreign Application Priority Data**

Oct. 7, 2015 (EM) ..... 002813980  
Apr. 4, 2016 (EM) ..... DM/090177

(57) **CLAIM**

The ornamental design for a plectrum, as shown and described.

(51) **LOC (11) Cl.** ..... **17-03**

(52) **U.S. Cl.**  
USPC ..... **D17/20**  
CPC ..... **G10D 3/163** (2013.01)

**DESCRIPTION**

(58) **Field of Classification Search**  
USPC ..... D17/14–21, 99; 84/453, 315–317  
CPC ..... B25G 1/102; G10D 3/163; G10D 3/06;  
G10D 3/00

FIG. 1 is a front elevational view of a plectrum showing my design therefor;  
FIG. 2 is a side elevational view thereof, the other side being identical thereto;  
FIG. 3 rear elevational view thereof;  
FIG. 4 is a front, bottom perspective view thereof; and,  
FIG. 5 is a rear, bottom perspective view thereof.

See application file for complete search history.

**1 Claim, 5 Drawing Sheets**

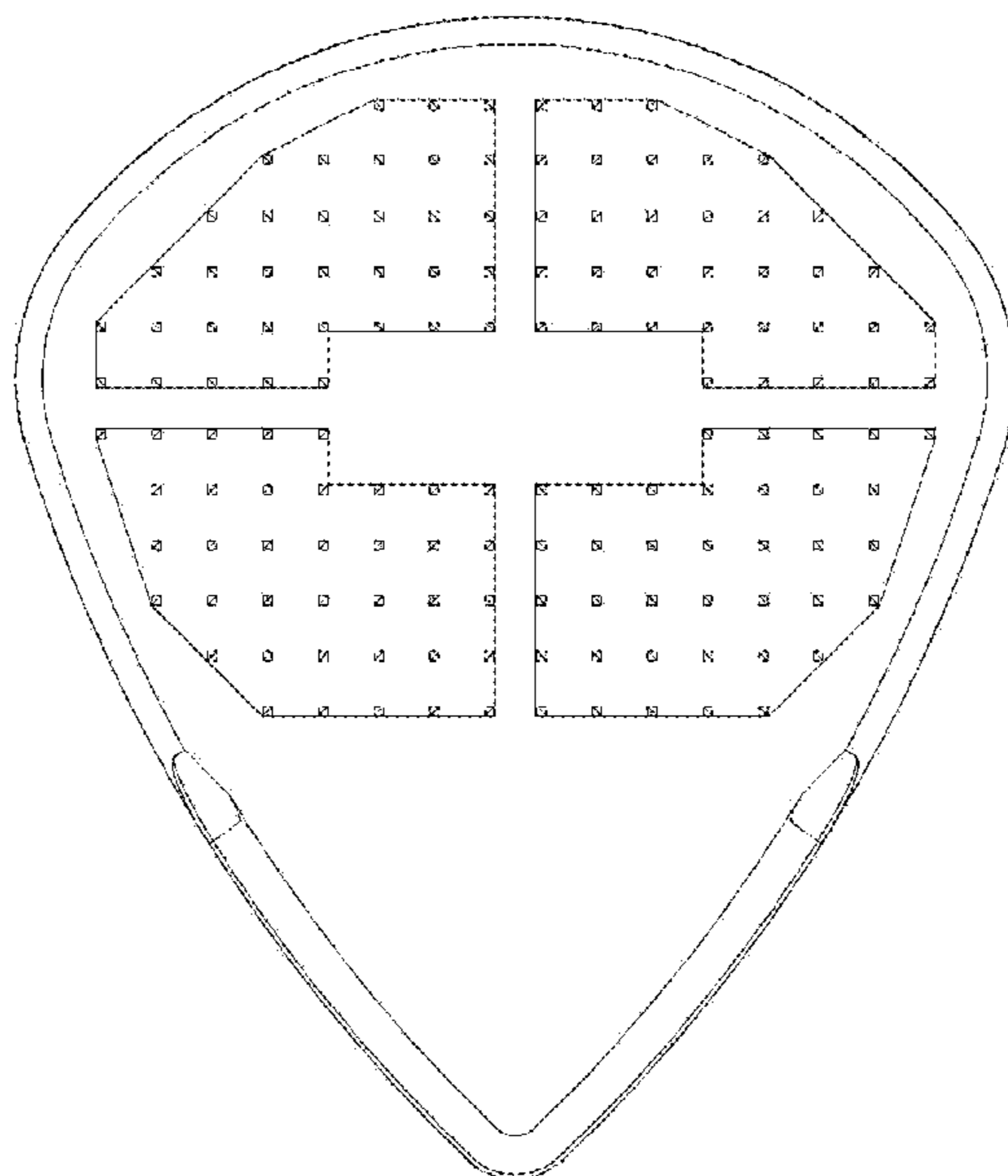


Fig. 1

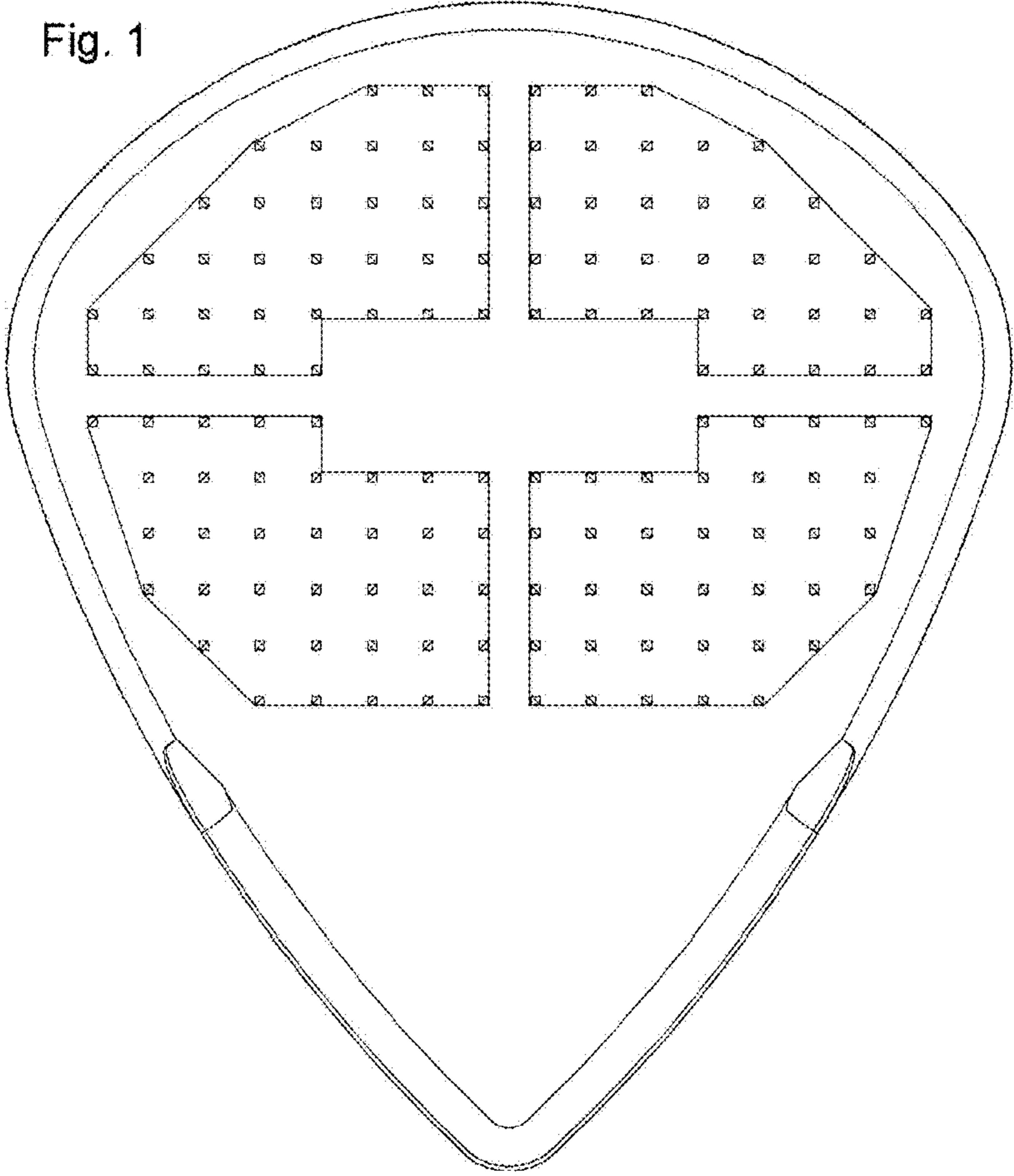


Fig. 2

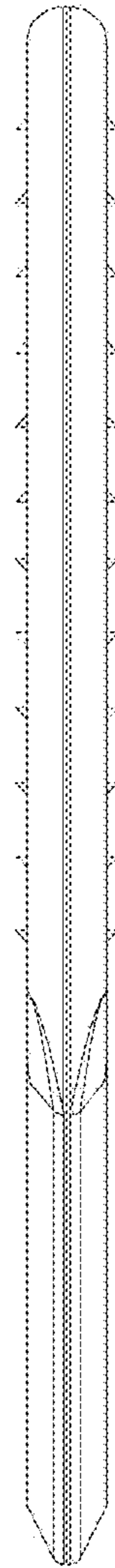


Fig. 3

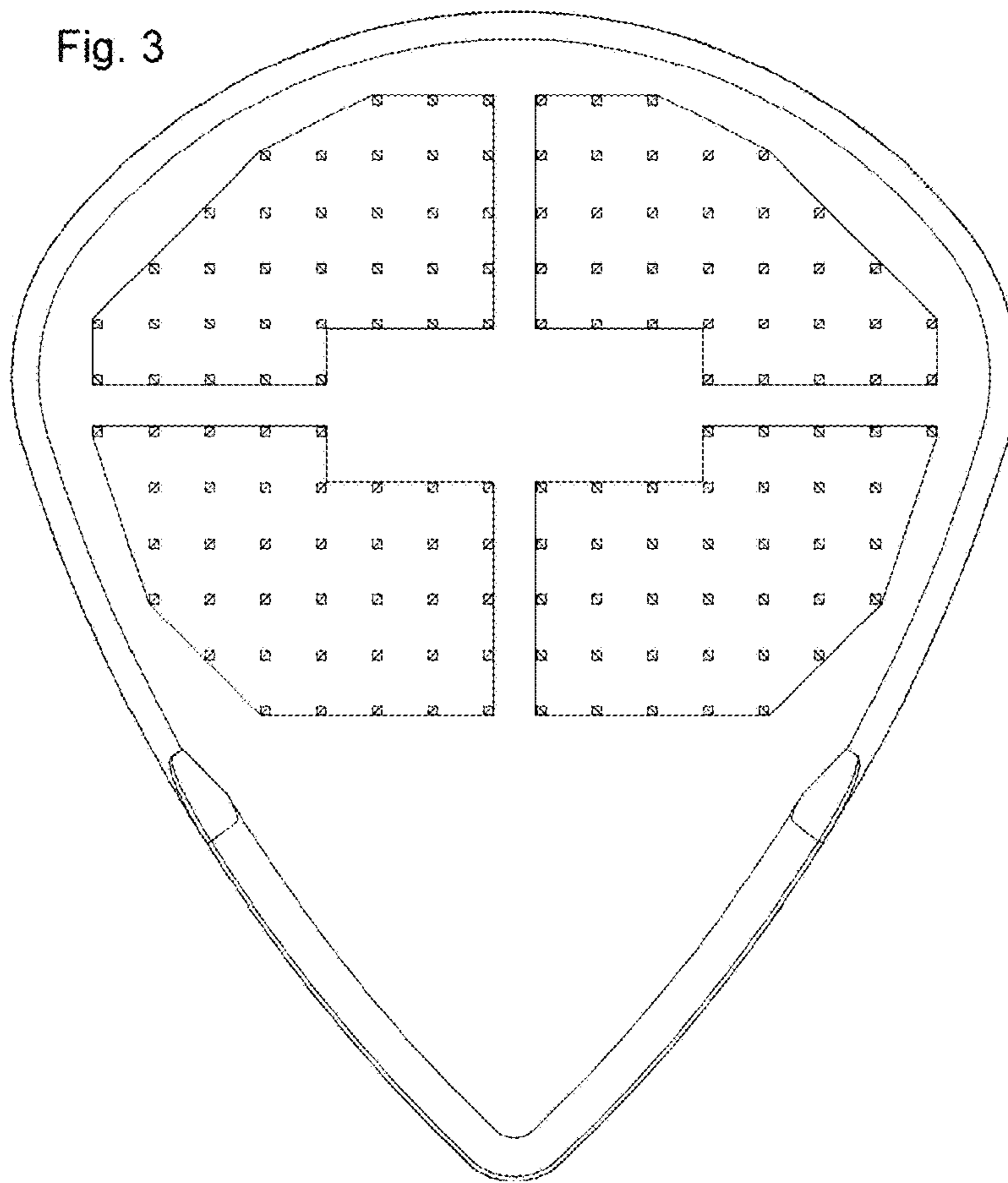


Fig. 4

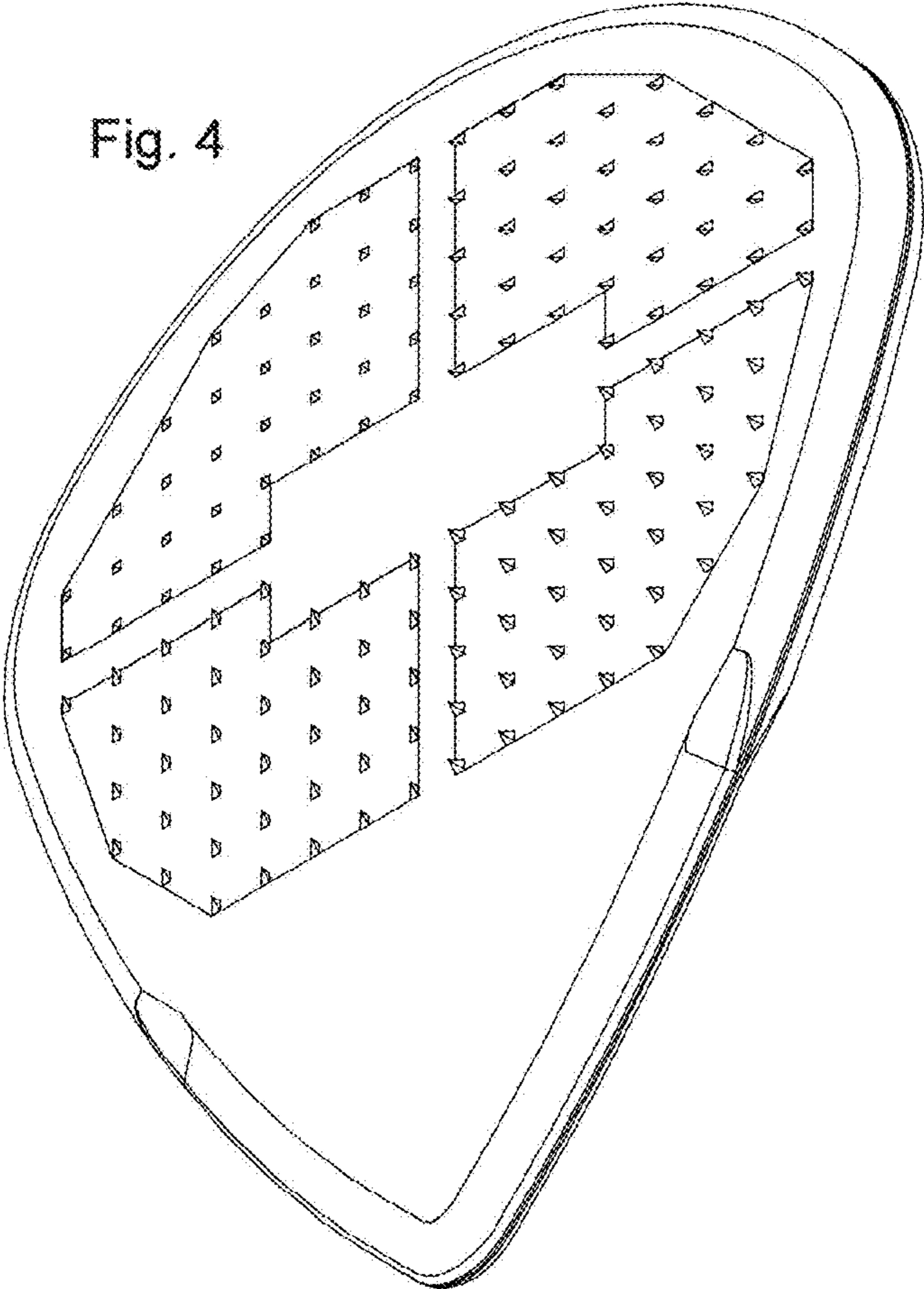


Fig. 5

