



US00D854604S

(12) **United States Design Patent** (10) **Patent No.:** **US D854,604 S**
Aloe (45) **Date of Patent:** **** Jul. 23, 2019**

(54) **ACTION CAMERA MOUNT**
(71) Applicant: **Ty Aloe**, San Diego, CA (US)
(72) Inventor: **Ty Aloe**, San Diego, CA (US)

D777,167 S * 1/2017 Wengreen D14/447
D829,723 S * 10/2018 Kanter D14/447
D832,274 S * 10/2018 Wengreen D14/447
D834,029 S * 11/2018 Wengreen D14/447
2011/0174645 A1* 7/2011 Lord G06F 1/1616
206/320

(**) Term: **15 Years**

OTHER PUBLICATIONS

(21) Appl. No.: **29/636,126**

Case By Case: The Best Phone Case Ever! [online] Published Dec. 2017. Retrieved from <https://www.kickstarter.com/projects/1521856701/case-by-case-the-best-phone-case-ever>.*

(22) Filed: **Feb. 6, 2018**

(51) **LOC (11) Cl.** **16-05**

(52) **U.S. Cl.**
USPC **D16/242**

* cited by examiner

(58) **Field of Classification Search**
USPC D16/219, 237-250; D14/224, 229, 238,
D14/251, 253; D20/10, 39, 41;
D21/837, 839; D8/354, 355, 363, 373,
D8/382-383, 394-396
CPC F16M 11/06-10; F16M 11/14; G02B
7/00-002; G03B 17/56; G03B
17/561-568; H04N 5/2253-2254; A45F
2200/0508-0533; A45F 5/00; A45F 5/10
See application file for complete search history.

Primary Examiner — Vy N Koenig

(74) *Attorney, Agent, or Firm* — Arc IP Law, PC; Joseph J. Mayo

(57) **CLAIM**

The ornamental design for an action camera mount, as shown and described.

DESCRIPTION

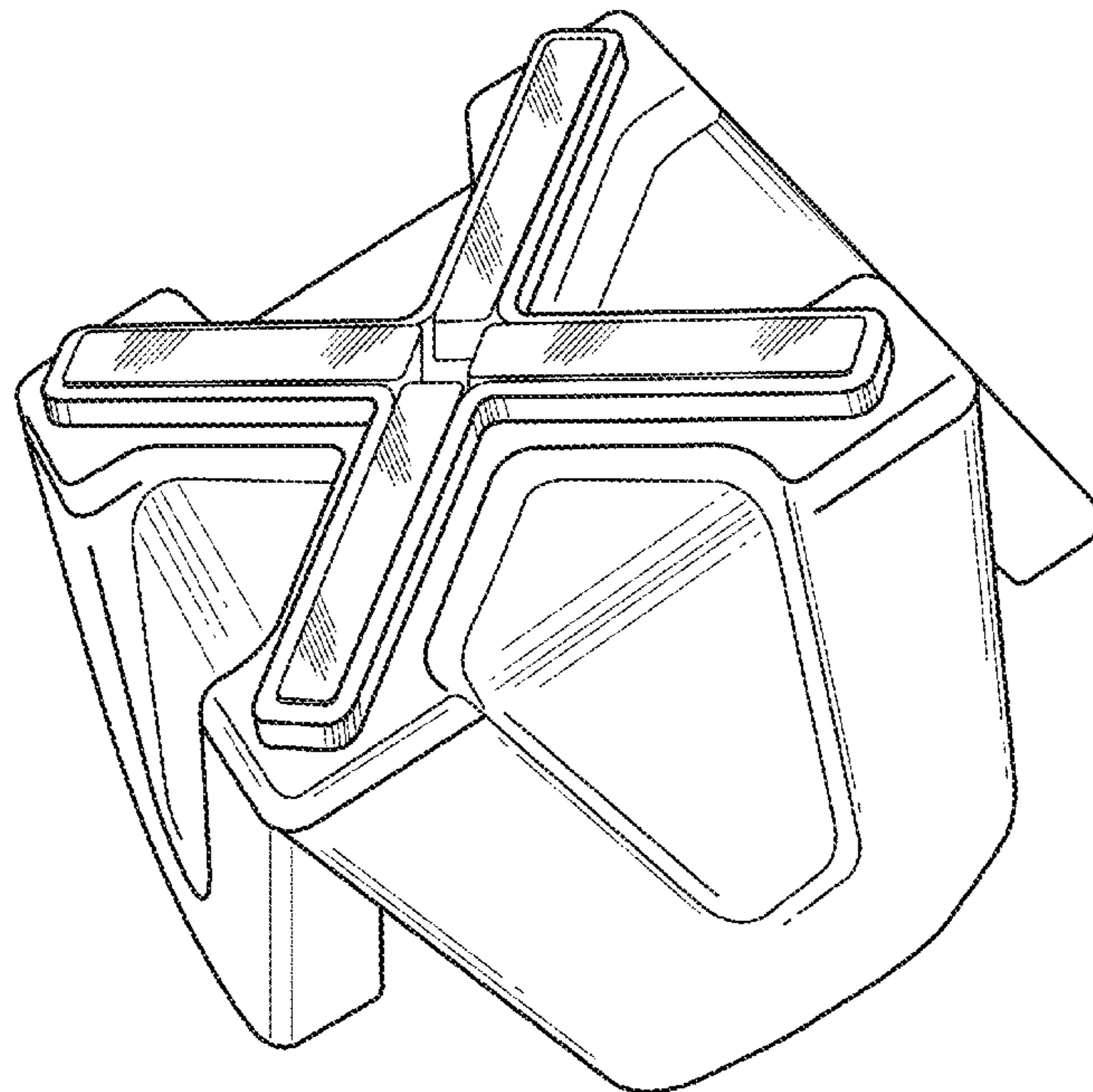
(56) **References Cited**

U.S. PATENT DOCUMENTS

D452,534 S * 12/2001 Stewart D21/333
D466,393 S * 12/2002 Neider D8/354
D466,394 S * 12/2002 Neider D8/354
D473,562 S * 4/2003 Russell D14/447
D628,047 S * 11/2010 Craig D8/354
D677,203 S * 3/2013 Russell D12/100
D741,940 S * 10/2015 Kessler D16/242
D746,599 S * 1/2016 Olson D6/300

FIG. 1 is an isometric view of an action camera mount, which embodies my design;
FIG. 2 is a top plan view thereof;
FIG. 3 is a bottom plan view thereof;
FIG. 4 is a front side view thereof, the back side view being a mirror image thereof;
FIG. 5 is a left side view thereof, the right side view being a mirror image thereof; and,
FIG. 6 is an elevational side view thereof, rotated 45 degrees from the front side.

1 Claim, 4 Drawing Sheets



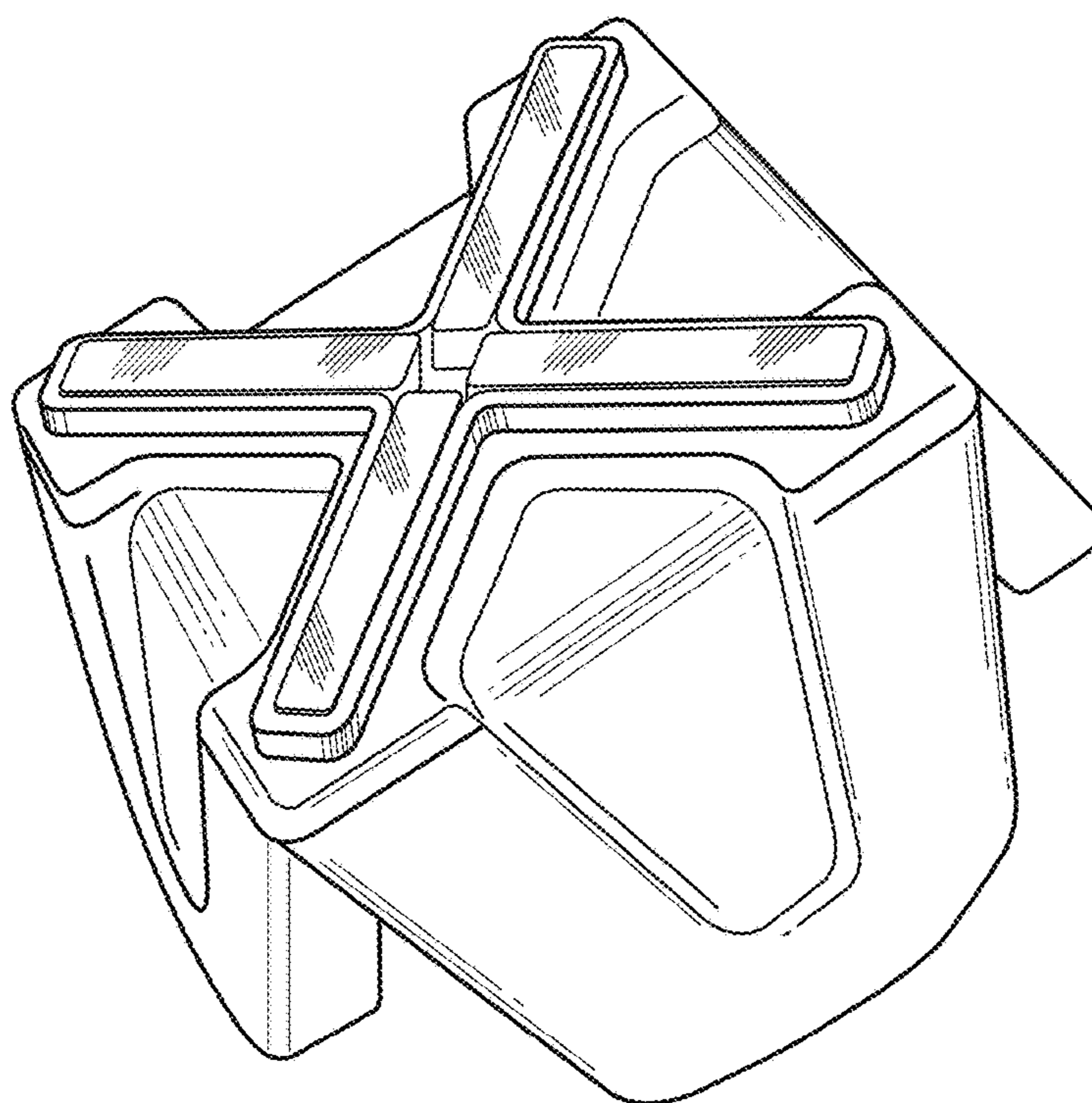


Fig. 1

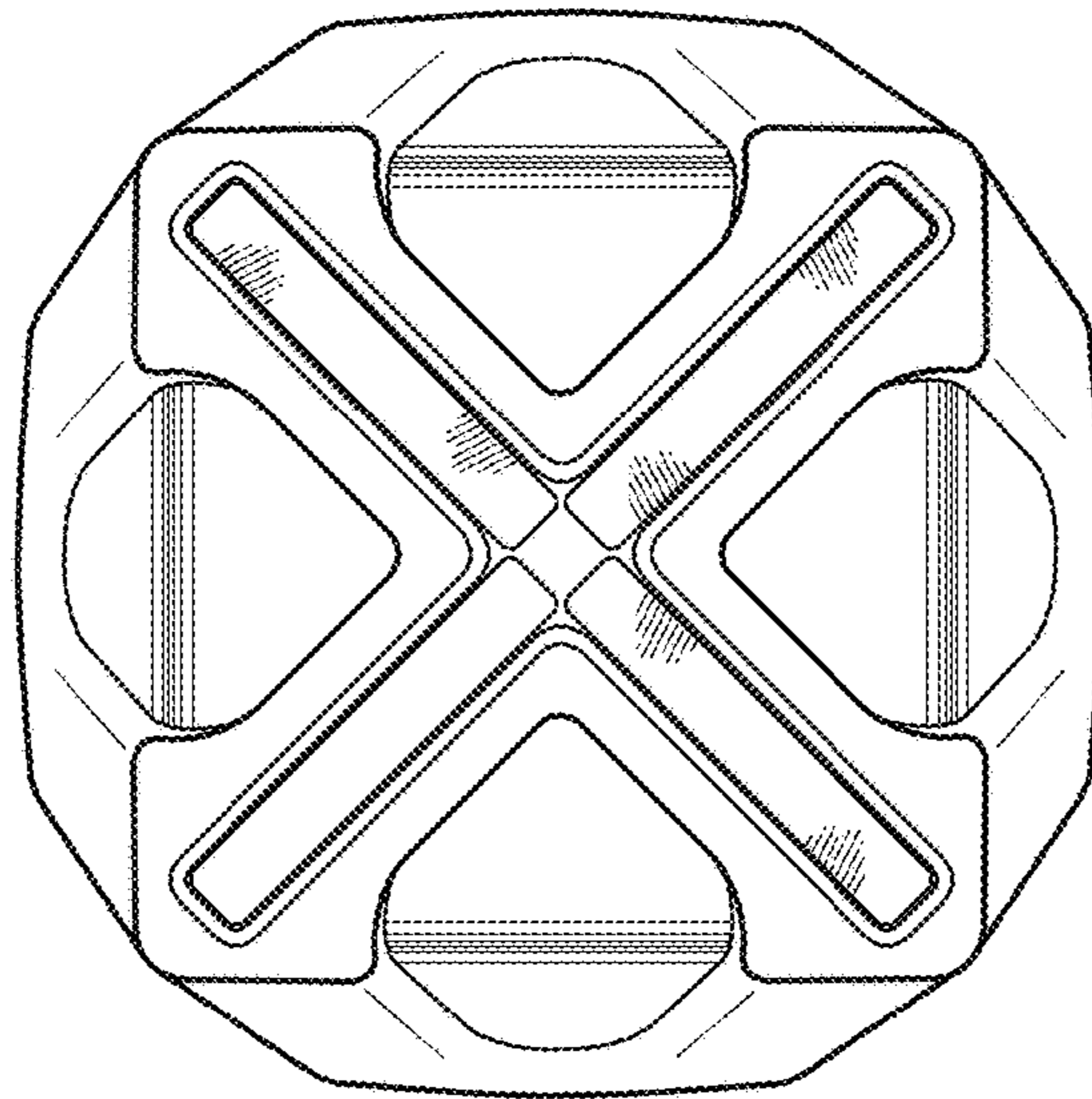


Fig. 2

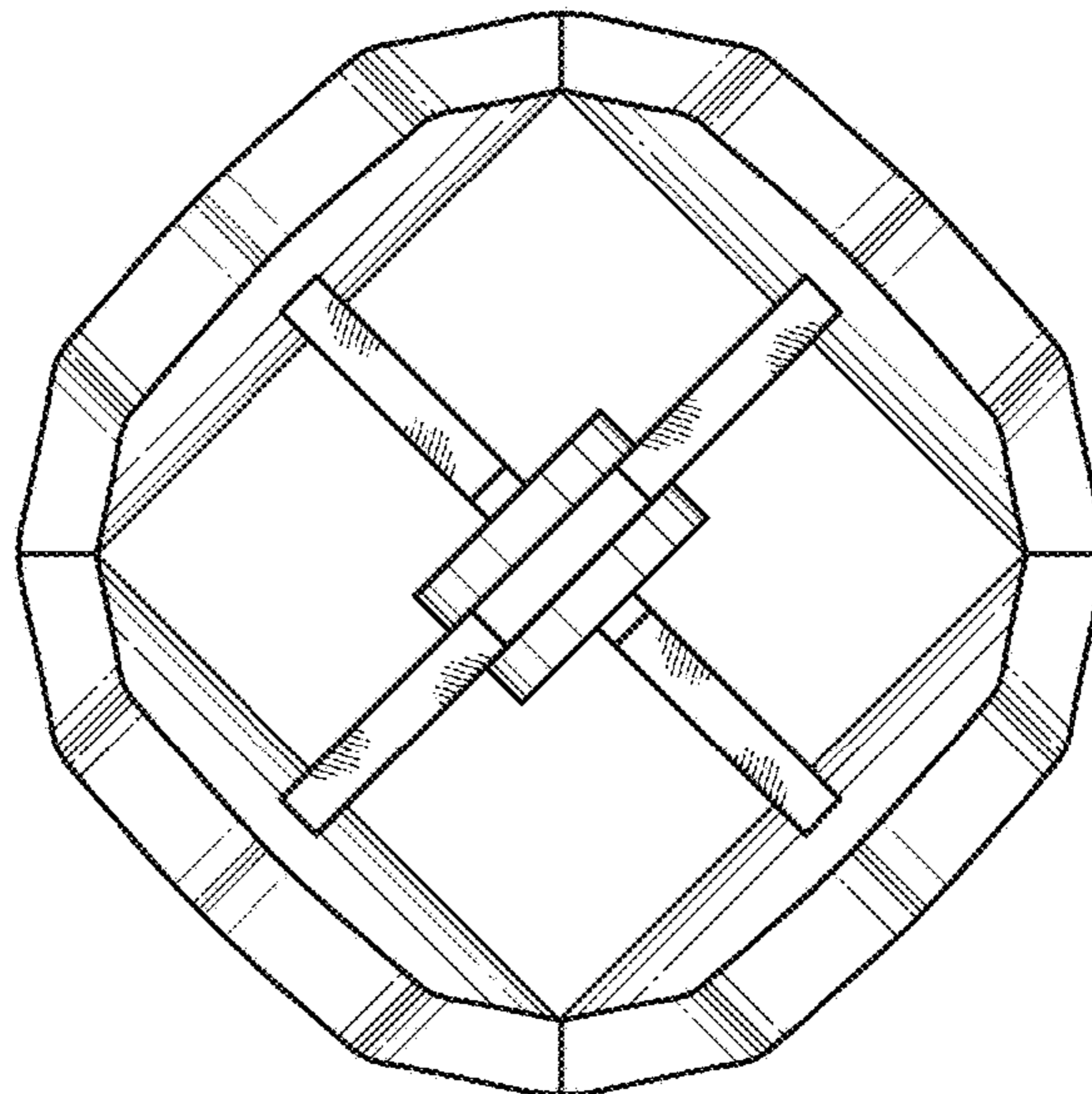


Fig. 3

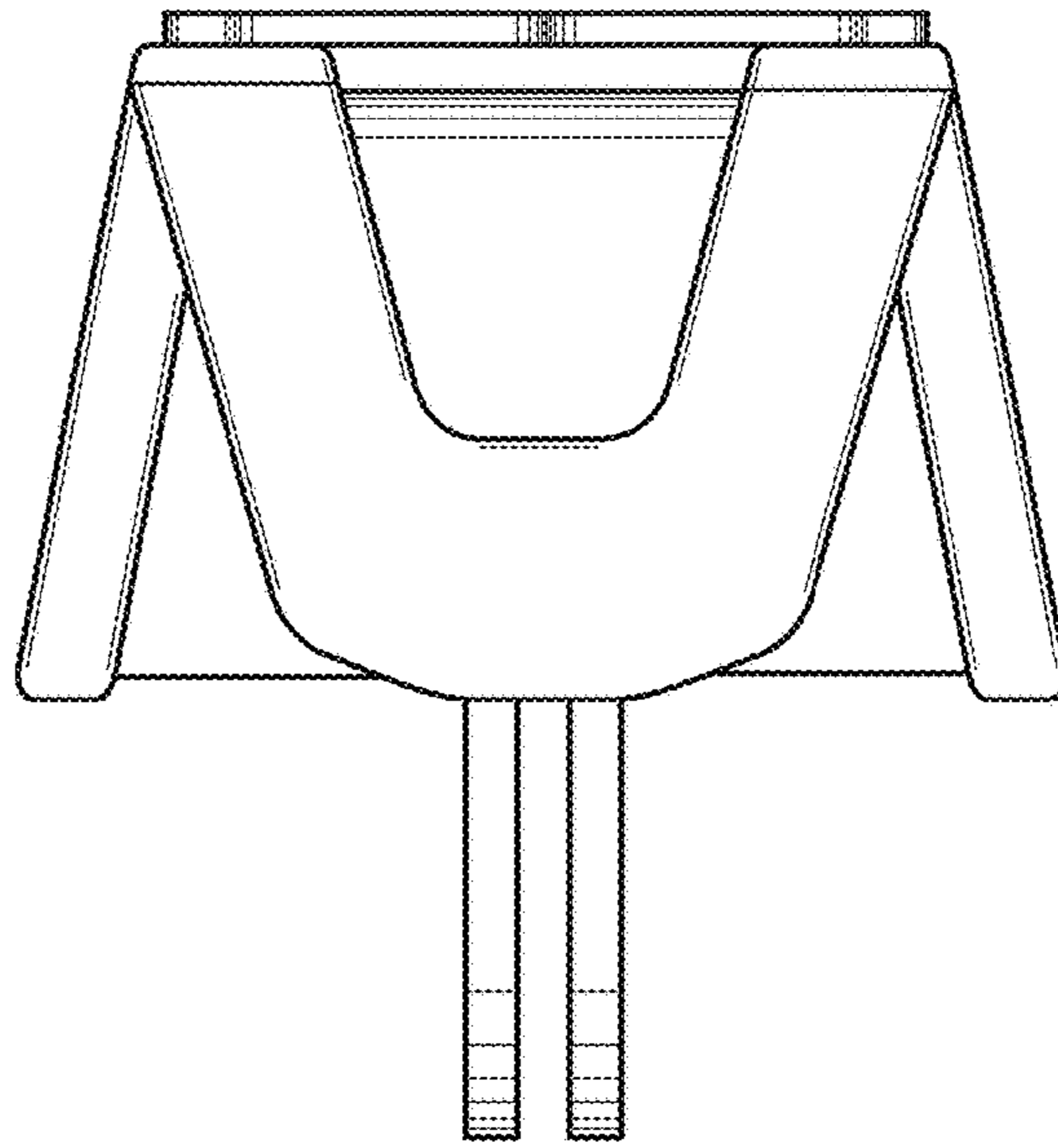


Fig. 4

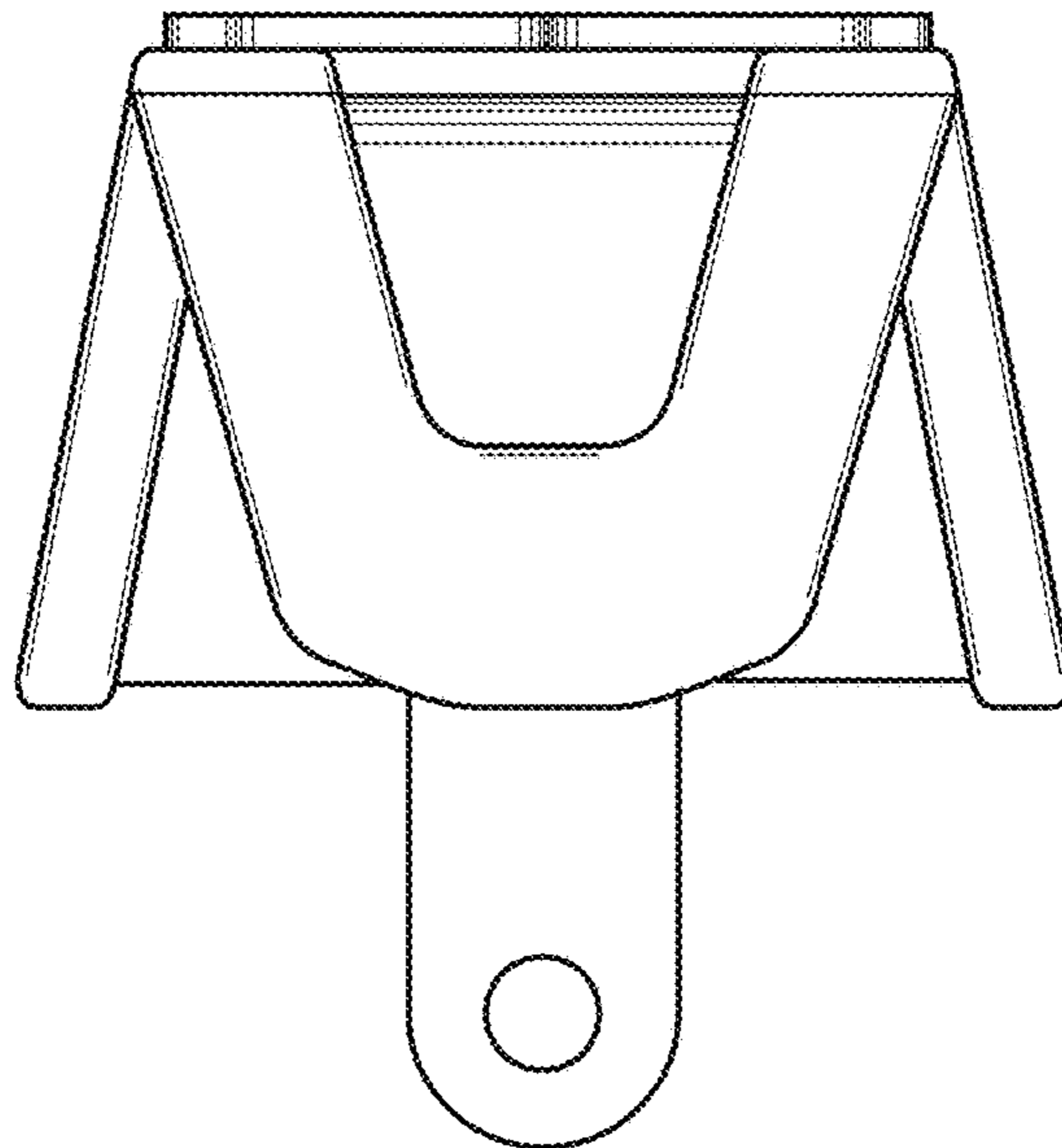


Fig. 5

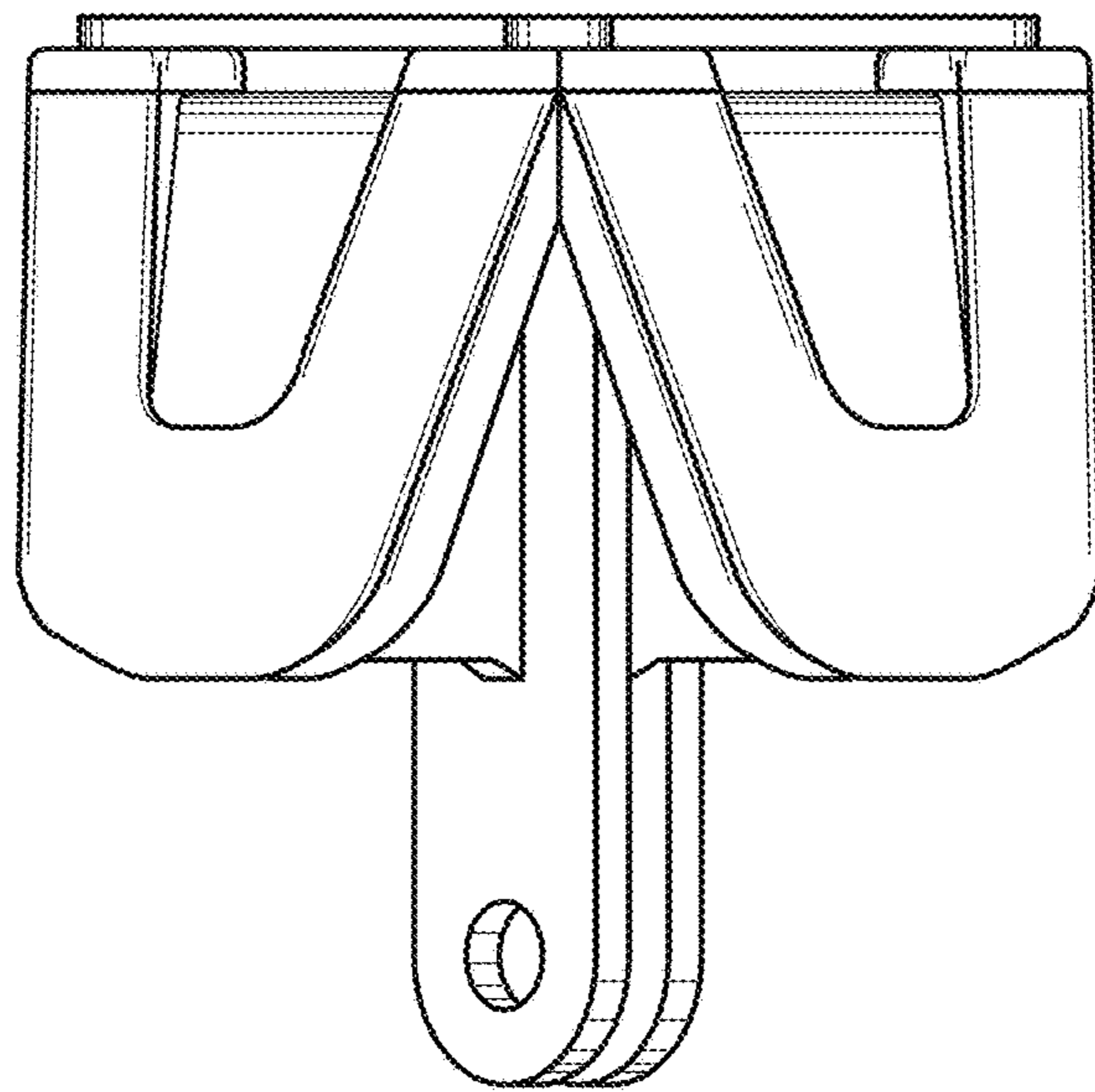


Fig. 6