



US00D854603S

(12) **United States Design Patent**
Imai

(10) **Patent No.:** **US D854,603 S**
(45) **Date of Patent:** **** Jul. 23, 2019**

(54) **VIEWFINDER ATTACHMENT ADAPTOR FOR A CAMERA**

(71) Applicant: **FUJIFILM Corporation**, Tokyo (JP)

(72) Inventor: **Masazumi Imai**, Saitama (JP)

(73) Assignee: **FUJIFILM Corporation**, Minato-Ku, Tokyo (JP)

(**) Term: **15 Years**

(21) Appl. No.: **29/596,239**

(22) Filed: **Mar. 7, 2017**

(30) **Foreign Application Priority Data**

Sep. 9, 2016 (JP) 2016-019598

(51) **LOC (11) Cl.** **16-05**

(52) **U.S. Cl.**
USPC **D16/242**

(58) **Field of Classification Search**

USPC D16/200–220, 131, 237, 242, 239, 250,
D16/235, 130, 134, 136, 245; D26/118,
D26/138–140; D30/110, 119, 124;
D14/242, 203.1, 203.3, 203.7; D10/74,
D10/50, 64, 66

CPC H04M 2250/52; H04N 5/2251; H04N
5/2252; H04N 5/2253; H01H 2231/046;
G02B 13/00; G02B 13/19621; G03B

(Continued)

(56) **References Cited**

U.S. PATENT DOCUMENTS

D292,982 S * 12/1987 Nakatani D16/245
D303,269 S * 9/1989 Yamaguchi D16/245
D322,619 S * 12/1991 Izumi D16/219

(Continued)

FOREIGN PATENT DOCUMENTS

EM 003785567-0001 * 4/2017

OTHER PUBLICATIONS

Fujifilm EVF-TL1 EVF Tilt Adapter, published Mar. 11, 2017 [online], [retrieved Oct. 01, 2018], Available from Internet, URL: <<https://www.amazon.com/Fujifilm-EVF-TL1-EVF-Tilt-Adapter/dp/B01MR8BRWK>>.*

(Continued)

Primary Examiner — Barbara Fox

Assistant Examiner — Mary C Ramirez

(74) *Attorney, Agent, or Firm* — Sughrue Mion, PLLC

(57) **CLAIM**

The ornamental design for a viewfinder attachment adaptor for a camera, as shown and described.

DESCRIPTION

FIG. 1 is a top view of a viewfinder attachment adaptor for a camera, showing the new design.

FIG. 2 is a front view thereof.

FIG. 3 is a rear view thereof.

FIG. 4 is a bottom view thereof.

FIG. 5 is a left side view thereof.

FIG. 6 is a right side view thereof.

FIG. 7 is a top, front, right side perspective view thereof.

FIG. 8 is a bottom, front right side perspective view thereof.

FIG. 9 is another top, front, right side perspective view, showing the viewfinder attachment adaptor for a camera in an alternate configuration.

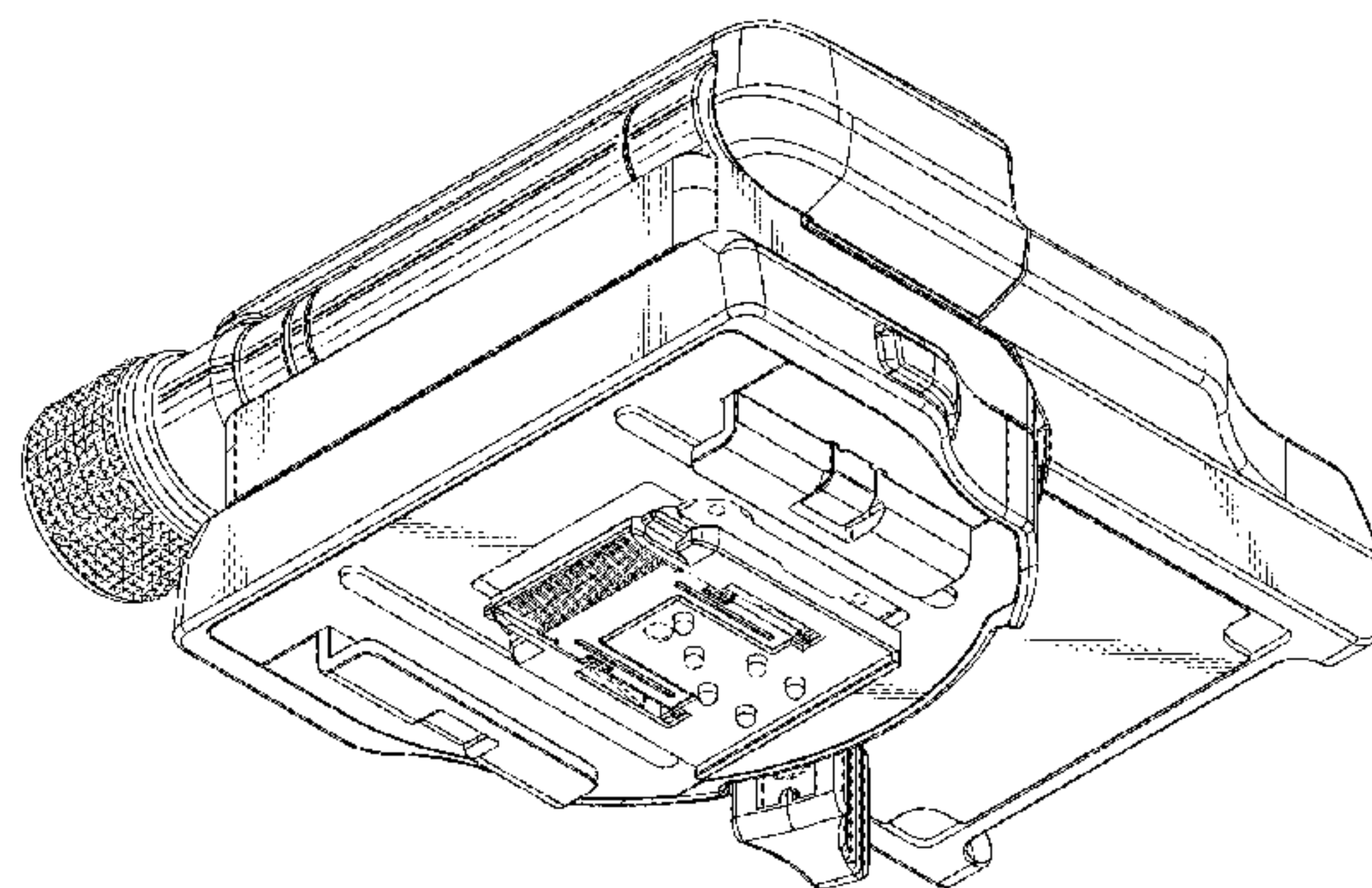
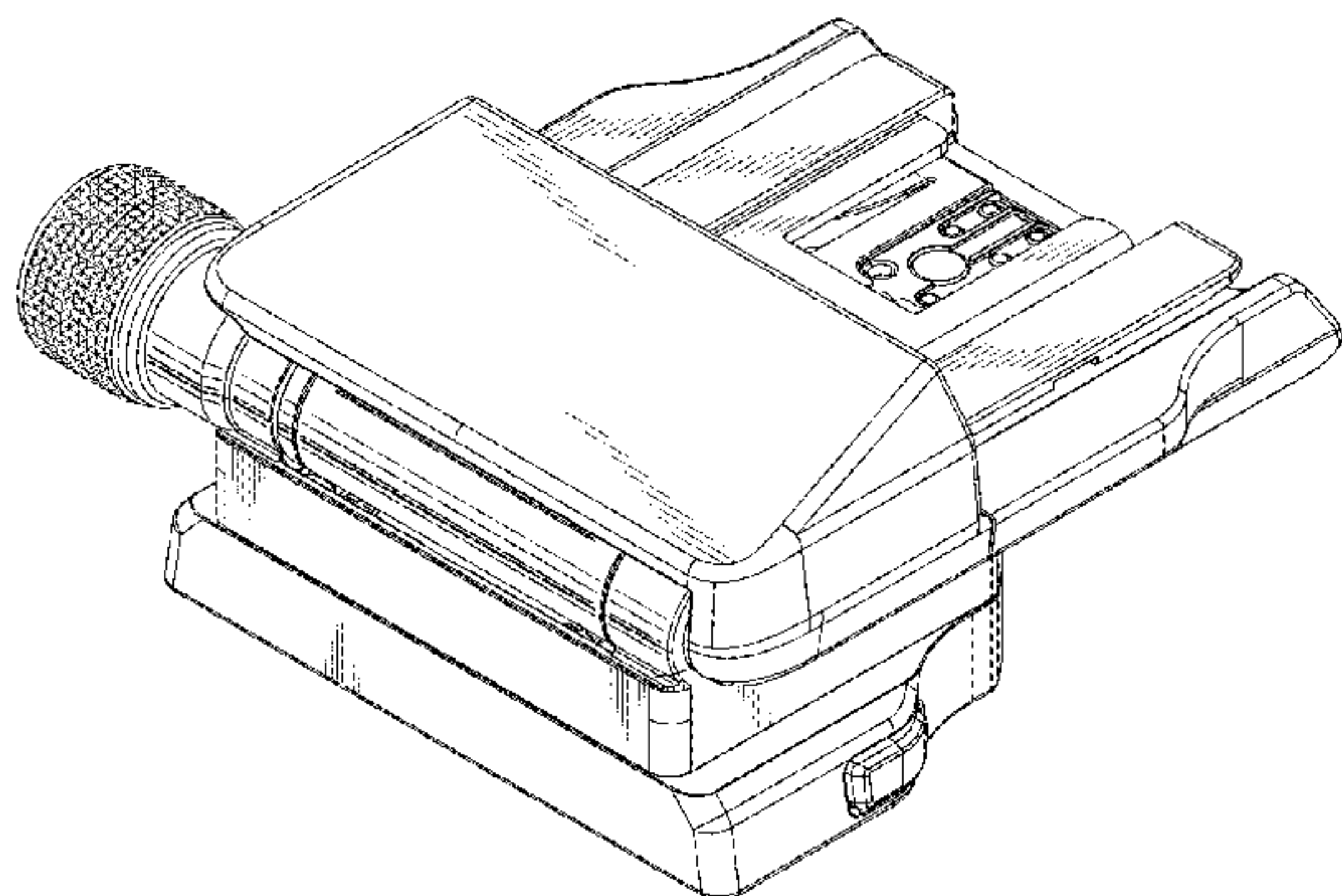
FIG. 10 is a right side view thereof.

FIG. 11 is a top perspective view, showing the viewfinder attachment adaptor for a camera in an alternate configuration; and,

FIG. 12 is a bottom perspective view thereof.

The broken lines showing portions of the viewfinder attachment adaptor for a camera form no part of the claimed design.

1 Claim, 12 Drawing Sheets



(58) **Field of Classification Search**

CPC 11/048; G03B 11/04; G03B 11/041; G03B
11/043; G03B 11/045

See application file for complete search history.

(56) **References Cited**

U.S. PATENT DOCUMENTS

D323,339 S * 1/1992 Ishikawa D16/245
D412,925 S * 8/1999 Tashiro D16/220
7,185,862 B1 * 3/2007 Yang F16M 11/041
248/187.1
D604,352 S * 11/2009 Carlesso D16/245
8,727,642 B1 * 5/2014 Tse F16M 11/041
396/419
8,827,219 B2 * 9/2014 Kessler F16M 11/048
248/187.1
D752,677 S * 3/2016 Fliger D16/242
9,736,376 B1 * 8/2017 Holway H04N 5/2328
D810,179 S * 2/2018 Harms D16/237
2008/0079849 A1 * 4/2008 Inaba H04N 5/2253
348/374

OTHER PUBLICATIONS

http://www.sony.jp/ichigan/products/FDA-EV1S/feature_1.html, SONY,
FDA-EV1S, product released Sep. 9, 2011.

<https://www.olympus-imaging.jp/product/dslr/accessory/optical/vf2.html>, Olympus, product released Dec. 4, 2009.

* cited by examiner

FIG. 1

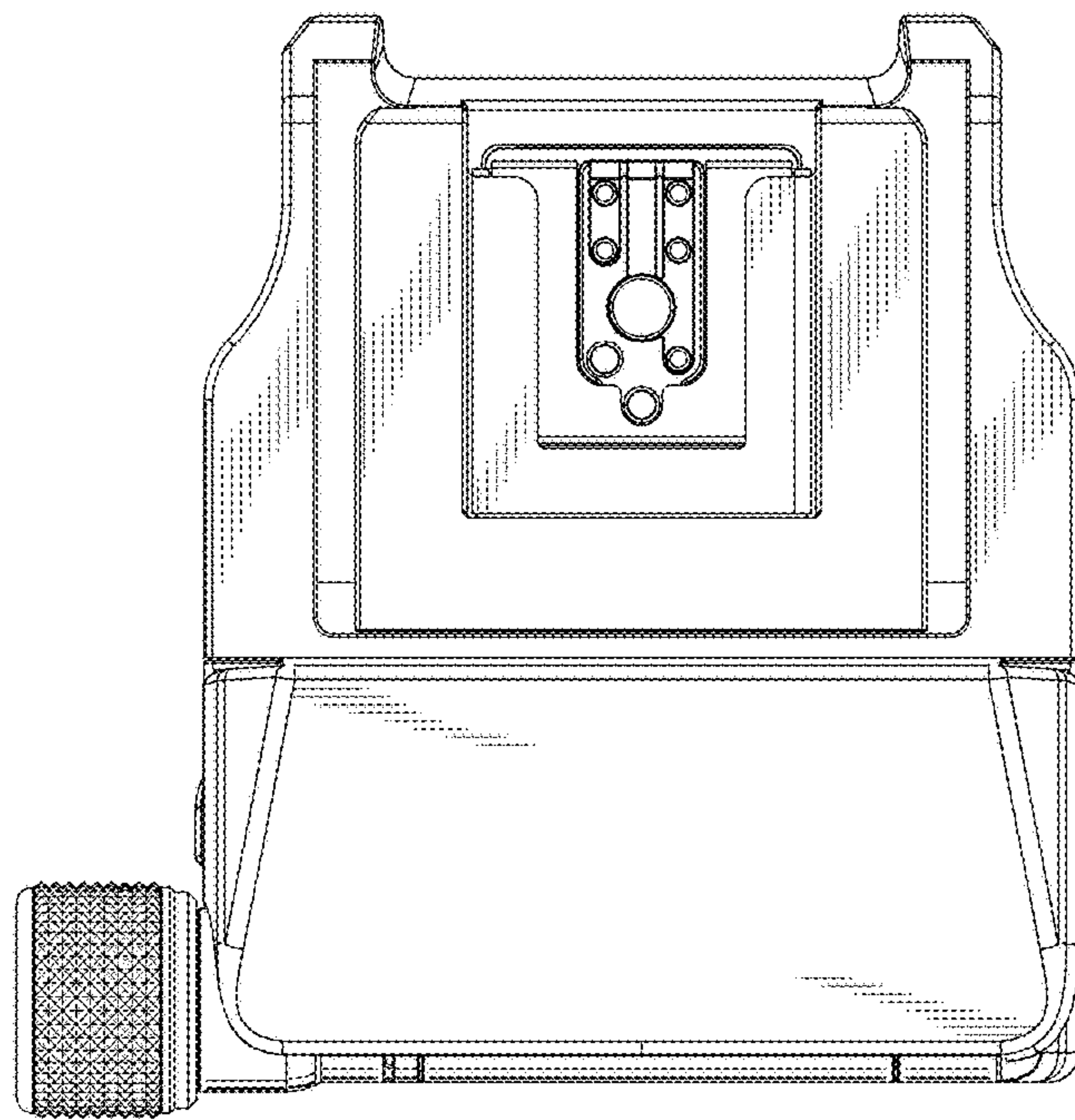


FIG. 2

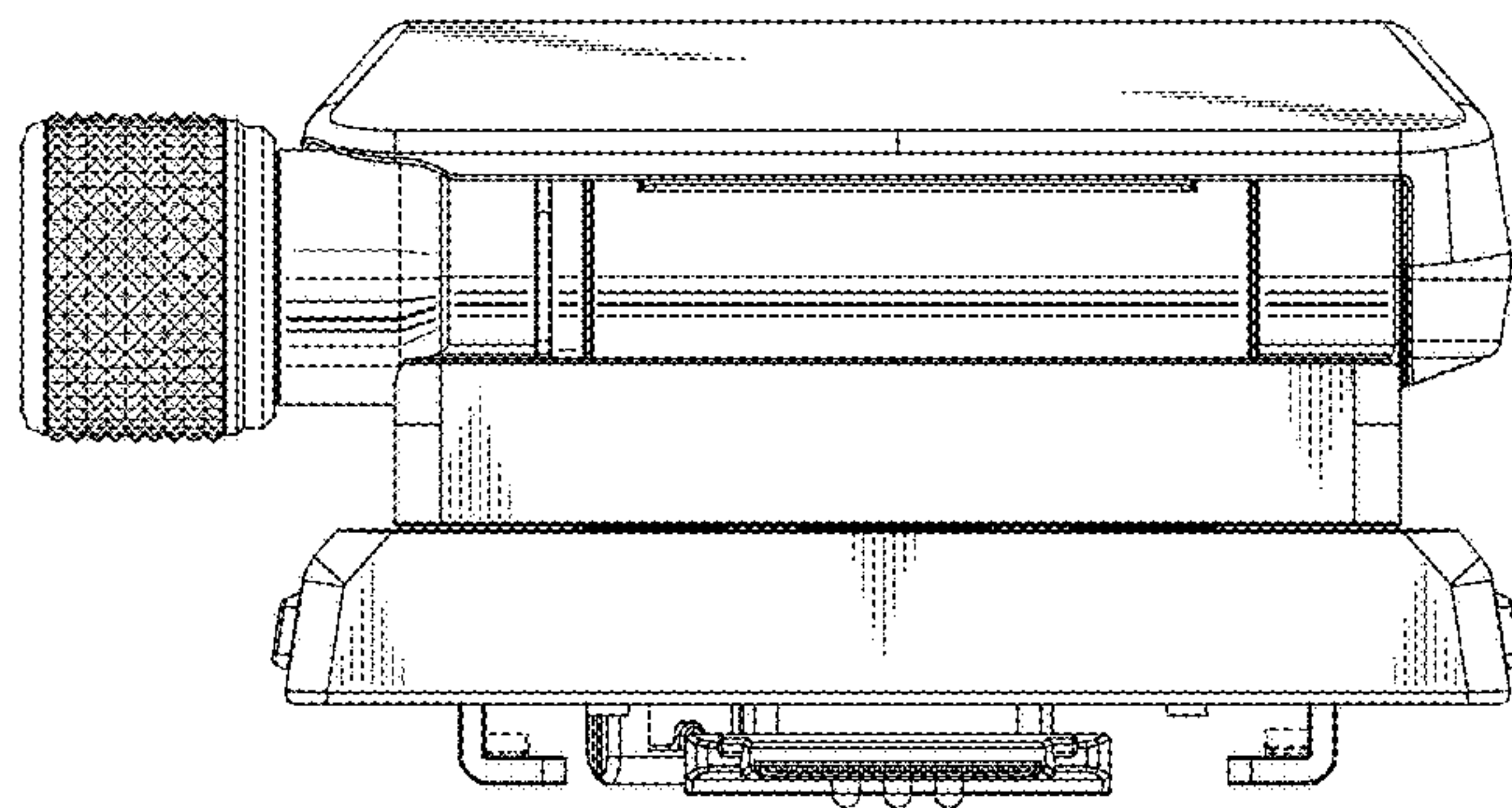


FIG. 3

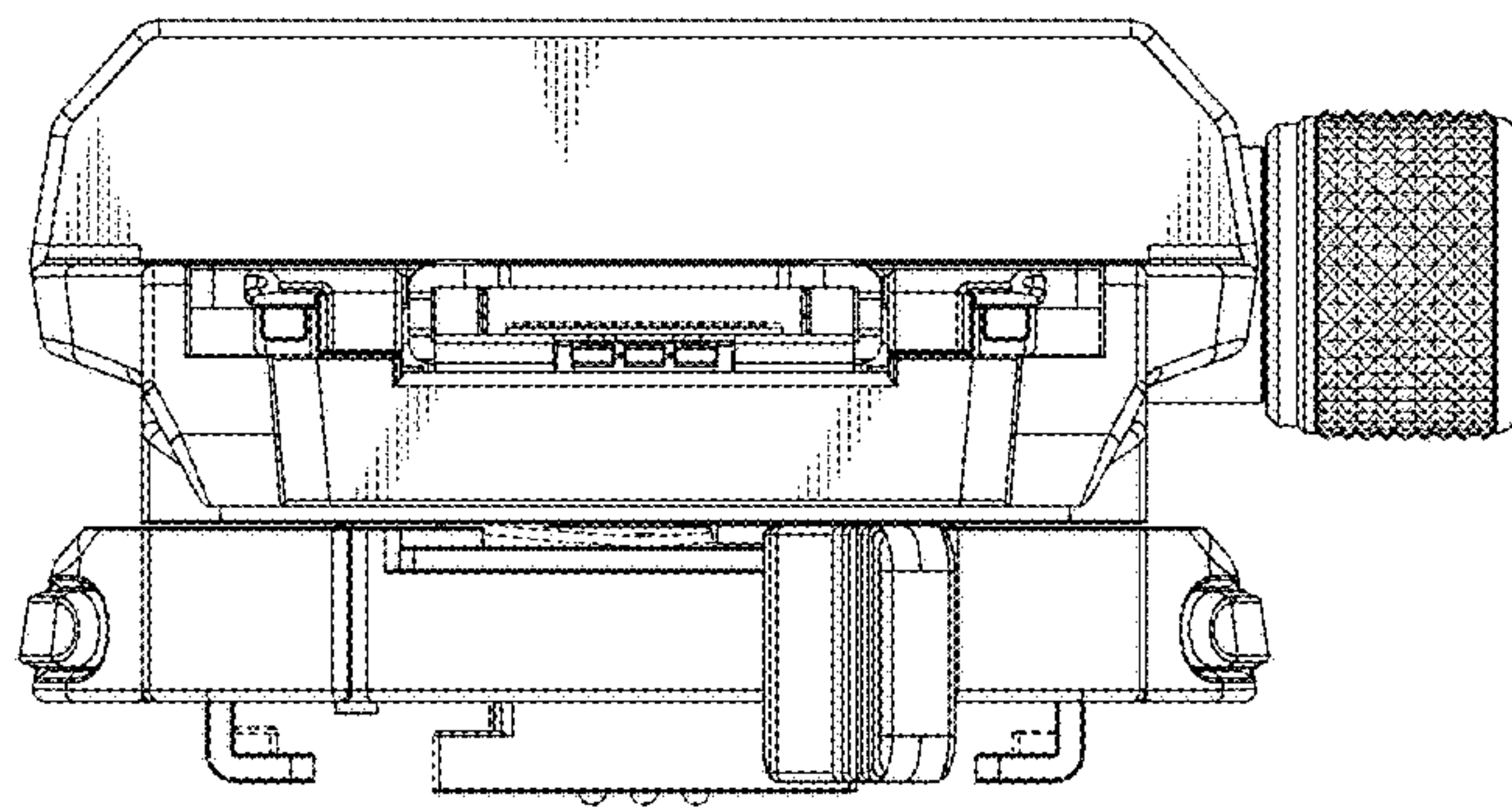


FIG. 4

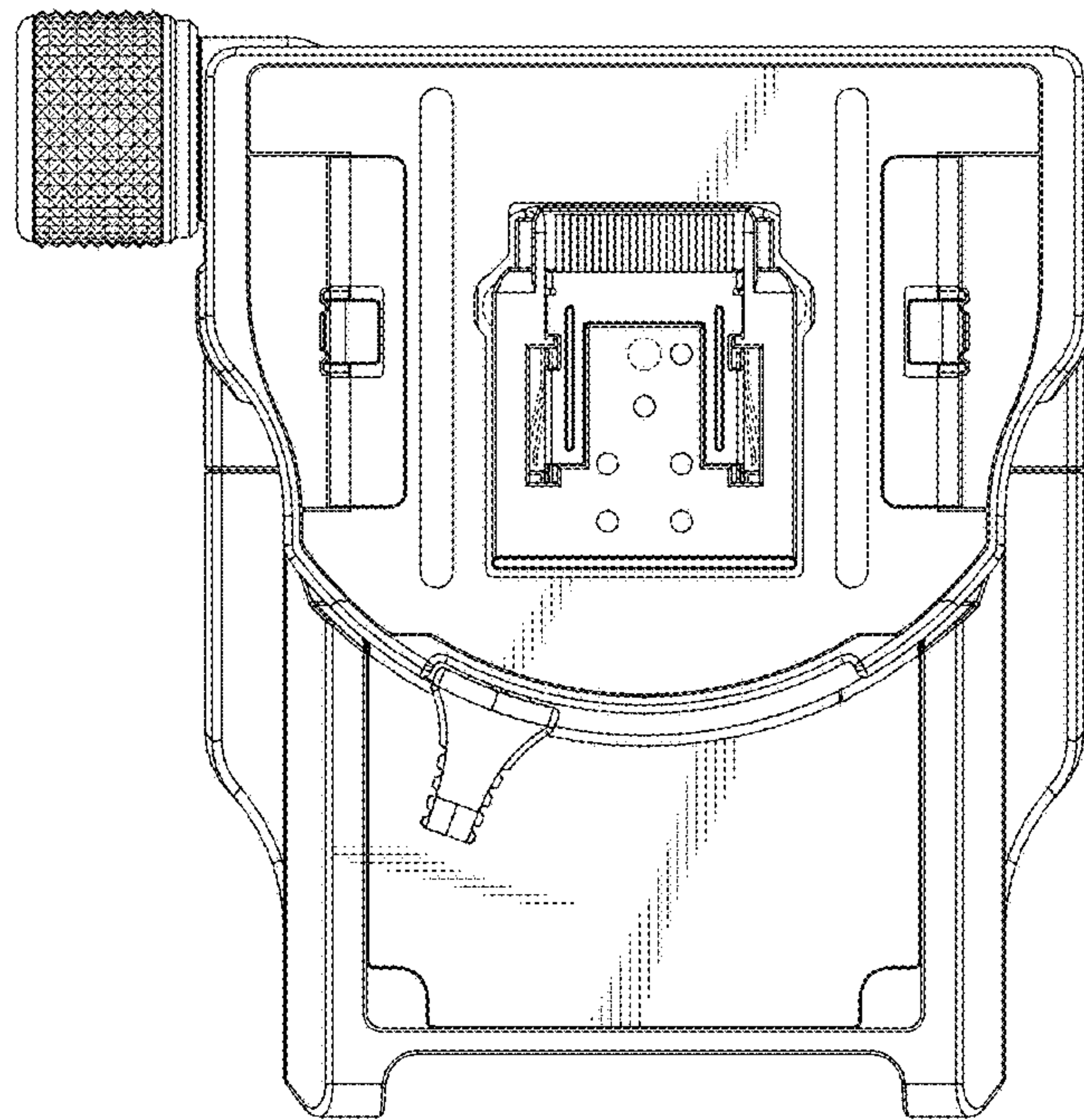


FIG. 5

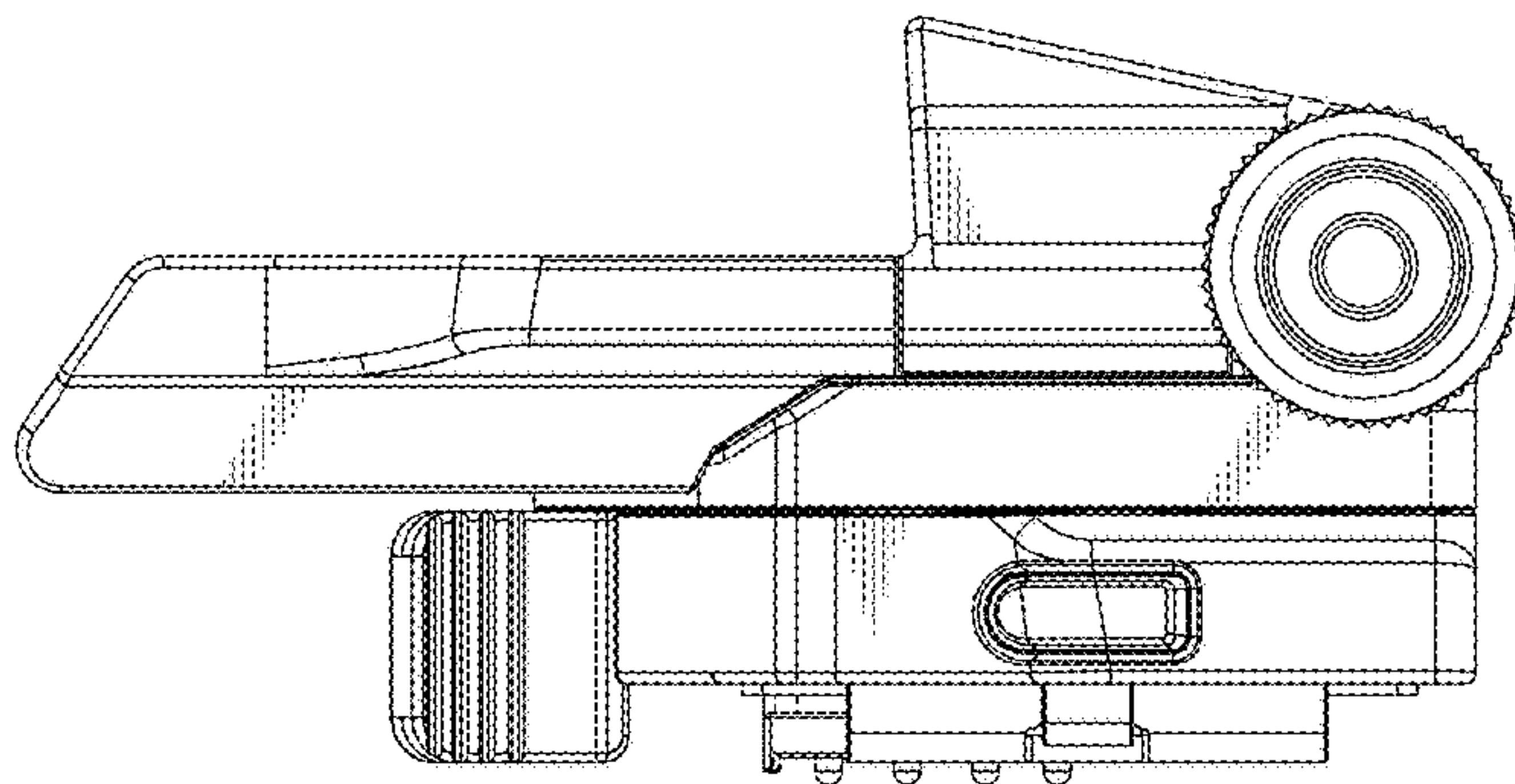


FIG. 6

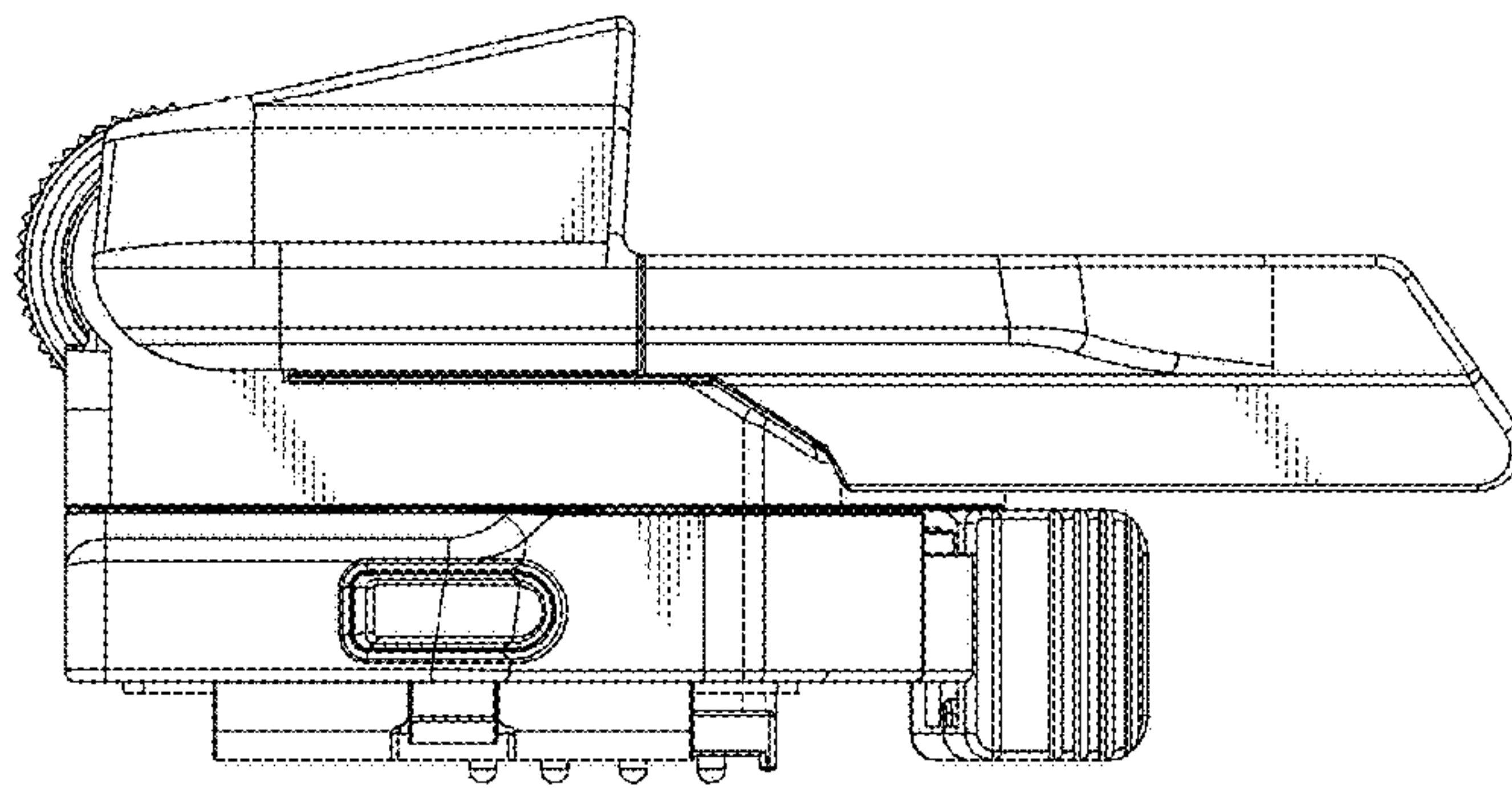


FIG. 7

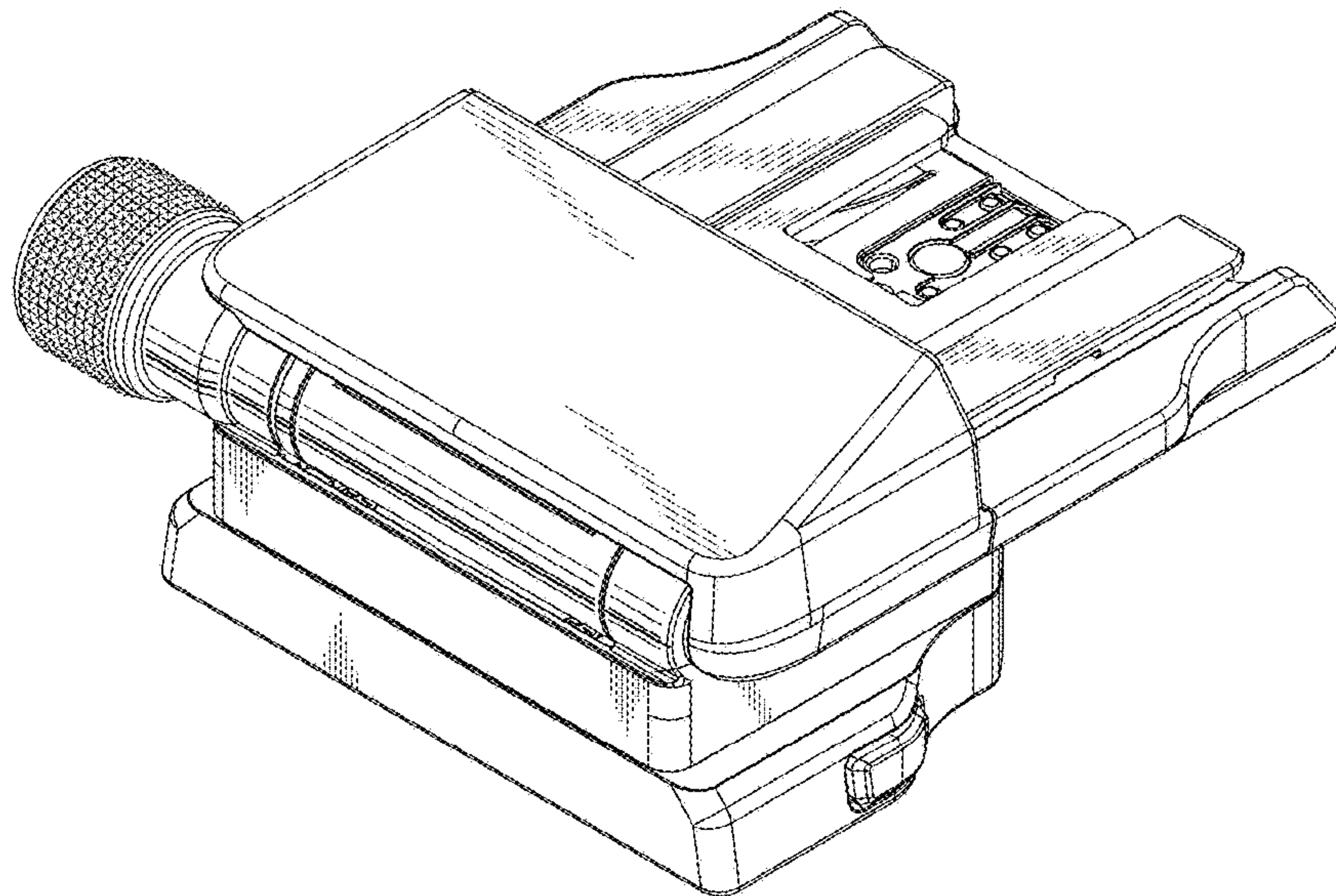


FIG. 8

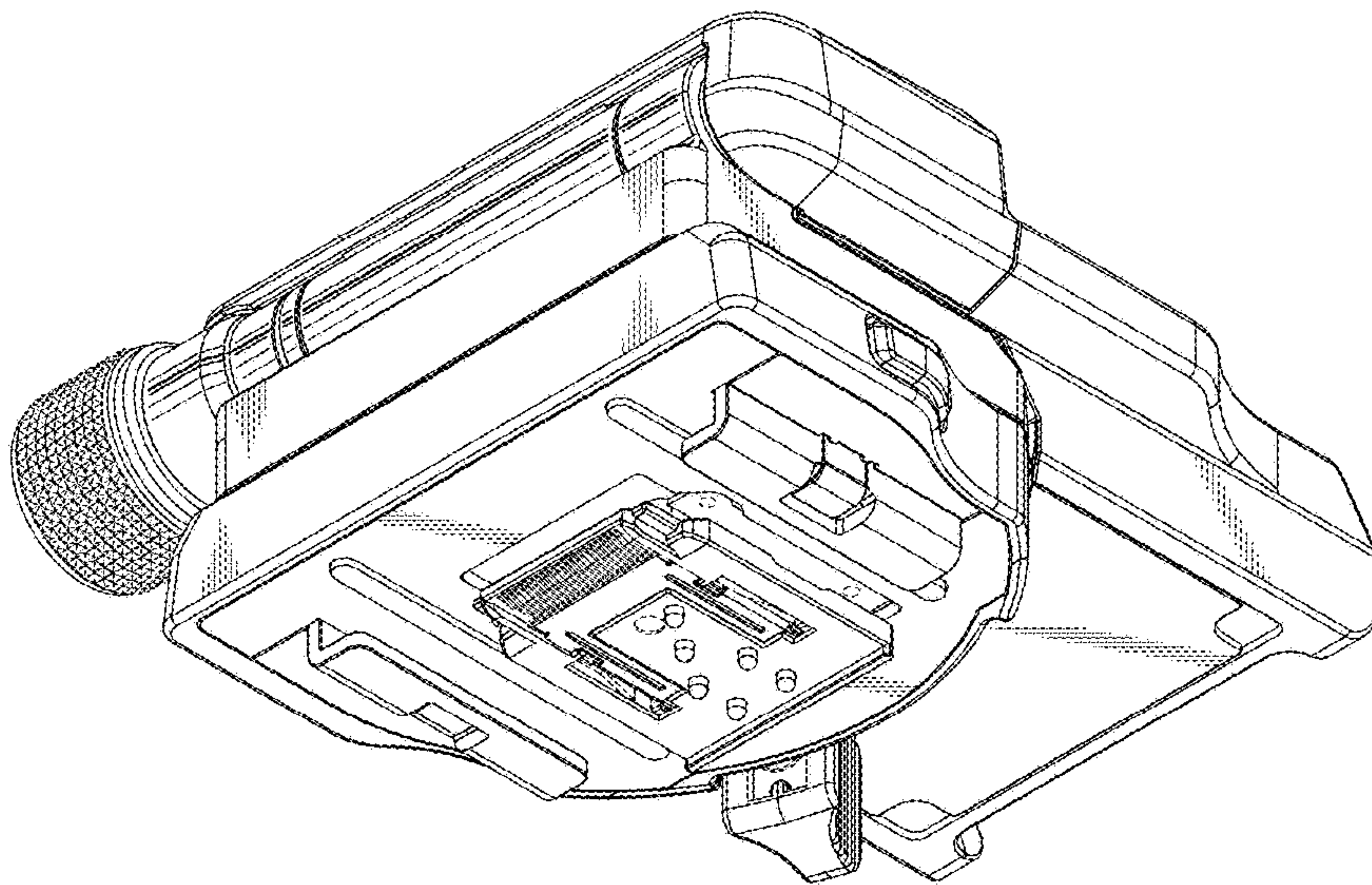


FIG. 9

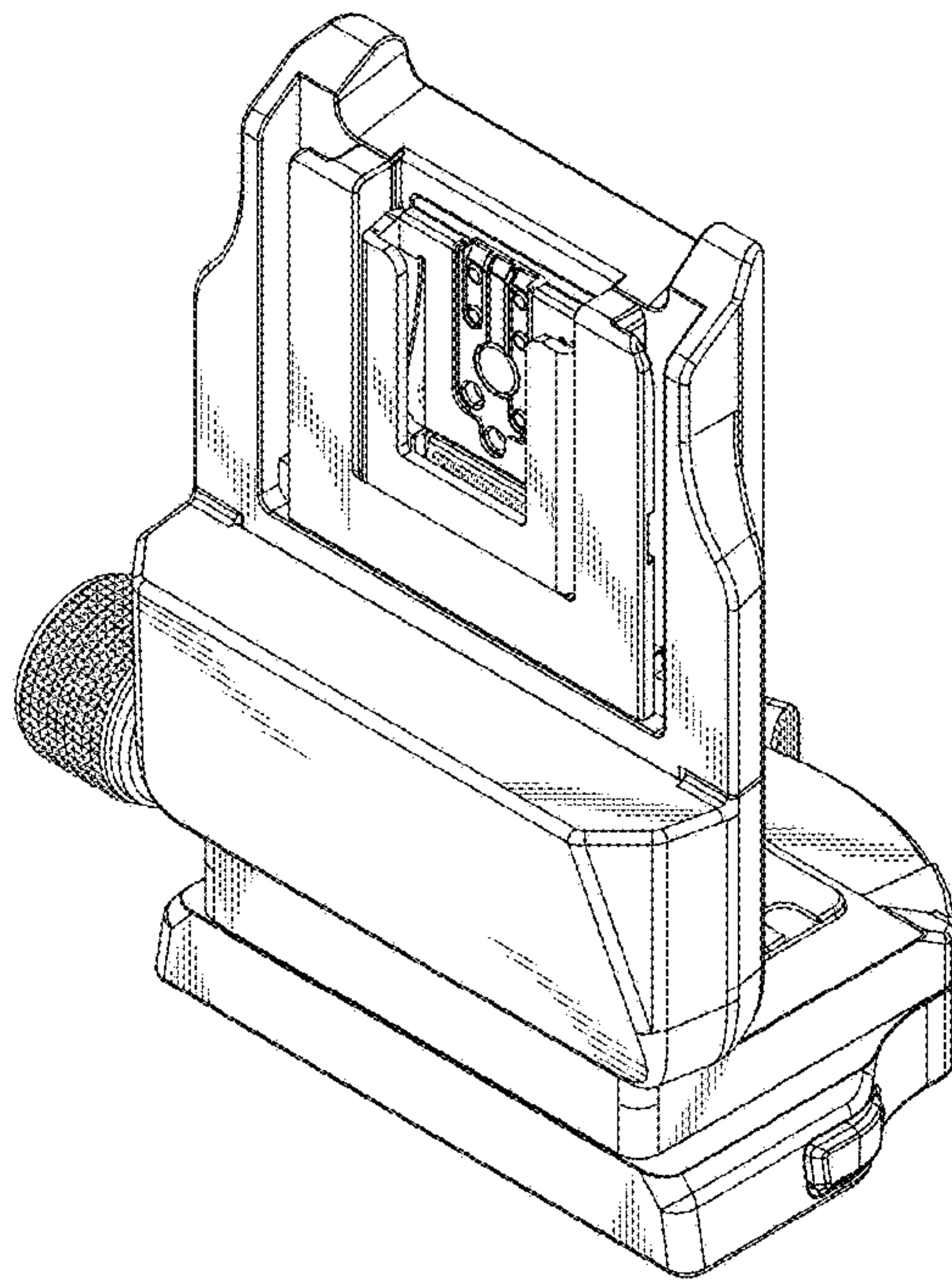


FIG. 10

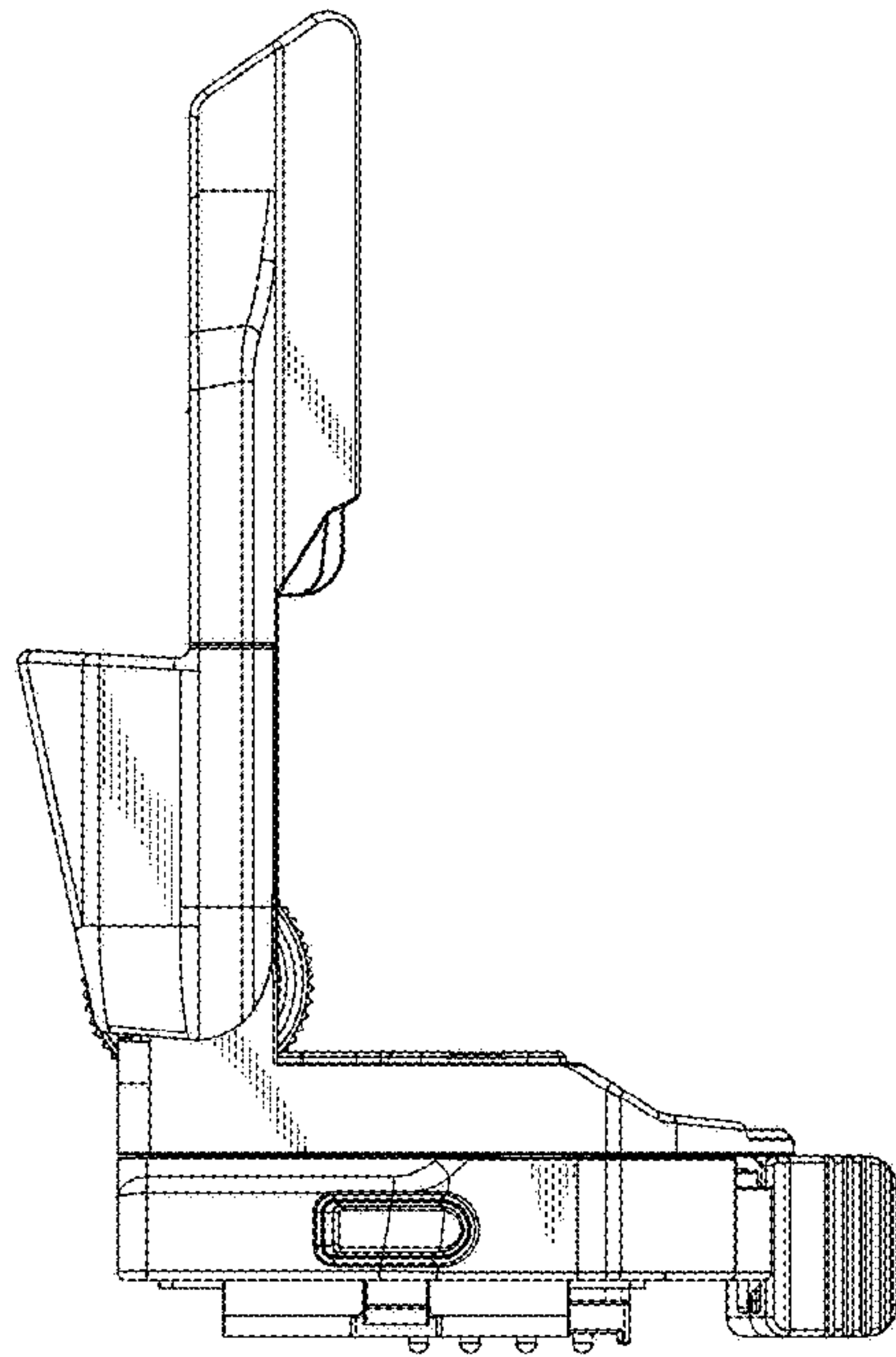


FIG. 11

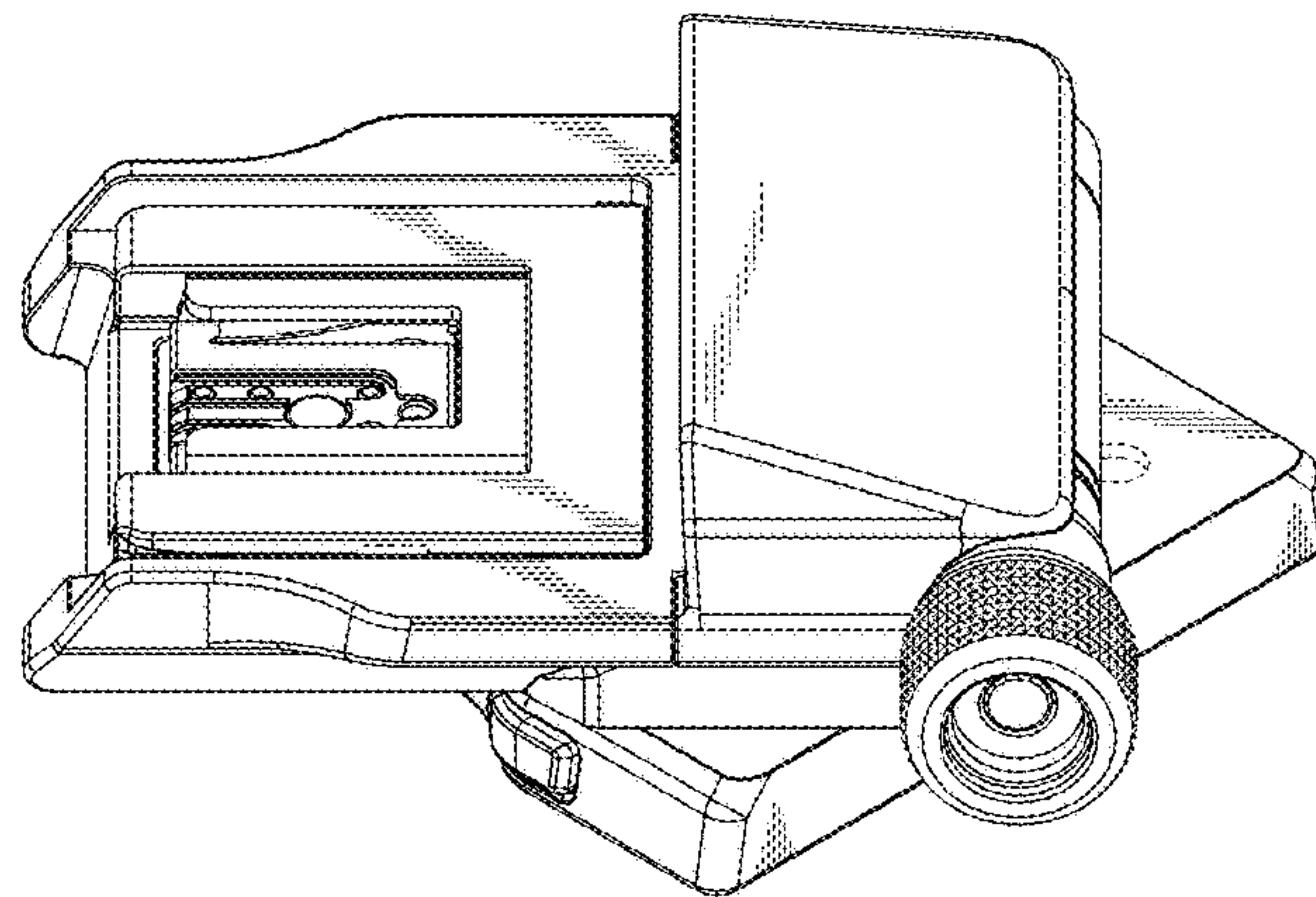


FIG. 12

