



US00D854601S

(12) **United States Design Patent**
Hoffmann

(10) **Patent No.:** **US D854,601 S**

(45) **Date of Patent:** **** Jul. 23, 2019**

(54) **LOW ANGLE MIRROR OPTICAL DEVICE**

2003/0112534 A1* 6/2003 Bramhill B43L 13/141
359/447

(71) Applicant: **Perry Hoffmann**, Scarborough (CA)

* cited by examiner

(72) Inventor: **Perry Hoffmann**, Scarborough (CA)

Primary Examiner — Wan Laymon

(73) Assignee: **Perry Hoffmann**, Scarborough (CA)

(74) *Attorney, Agent, or Firm* — McMillan LLP

(**) Term: **15 Years**

(57) **CLAIM**

The ornamental design for a low angle mirror optical device, as shown and described.

(21) Appl. No.: **29/629,237**

DESCRIPTION

(22) Filed: **Dec. 12, 2017**

(51) **LOC (11) Cl.** **16-02**

(52) **U.S. Cl.**

USPC **D16/234**; D16/235; D16/237

(58) **Field of Classification Search**

USPC D16/221, 225, 234–235, 241–242, 237,
D16/245, 250; D6/303, 308; 348/744;
359/447

CPC H04N 21/4122; G03B 21/00; G03B 21/54;
G03B 21/56; G03B 21/10

See application file for complete search history.

FIG. 1 is a front perspective view taken from the top right of the low angle mirror optical device;

FIG. 2 is a front perspective view taken from the top left of the low angle mirror optical device;

FIG. 3 is a front perspective view taken from the bottom right of the low angle mirror optical device;

FIG. 4 is a front perspective view taken from the bottom left of the low angle mirror optical device;

FIG. 5 is a rear perspective view taken from the bottom right of the low angle mirror optical device;

FIG. 6 is a front perspective view taken from the bottom left of the low angle mirror optical device;

FIG. 7 is a front elevational view of the low angle mirror optical device;

FIG. 8 is a right elevational view of the low angle mirror optical device;

FIG. 9 is a top plan view of the low angle mirror optical device; and,

FIG. 10 is rear perspective view taken from the top left of the low angle mirror optical device shown in relation to a video camera.

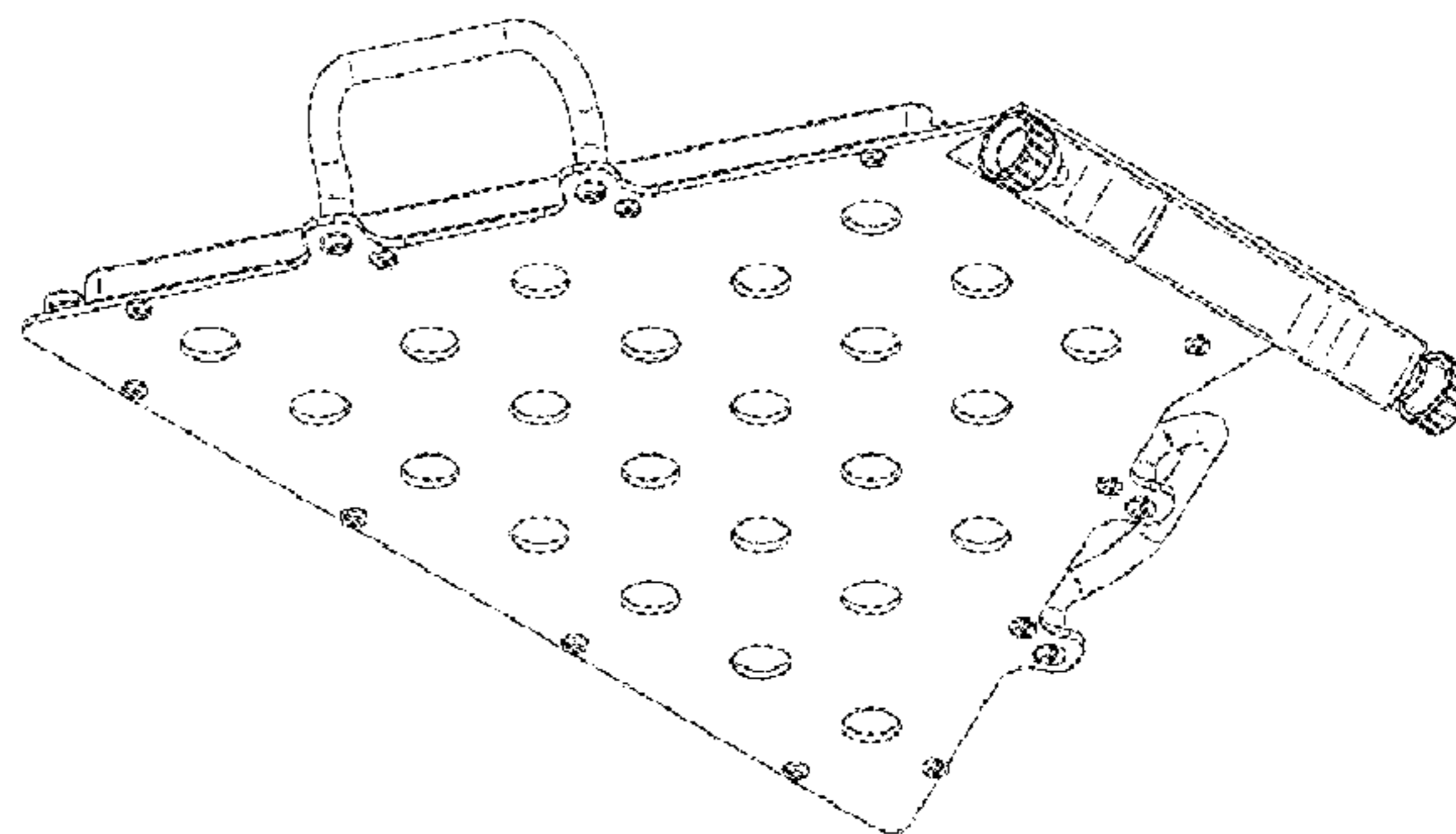
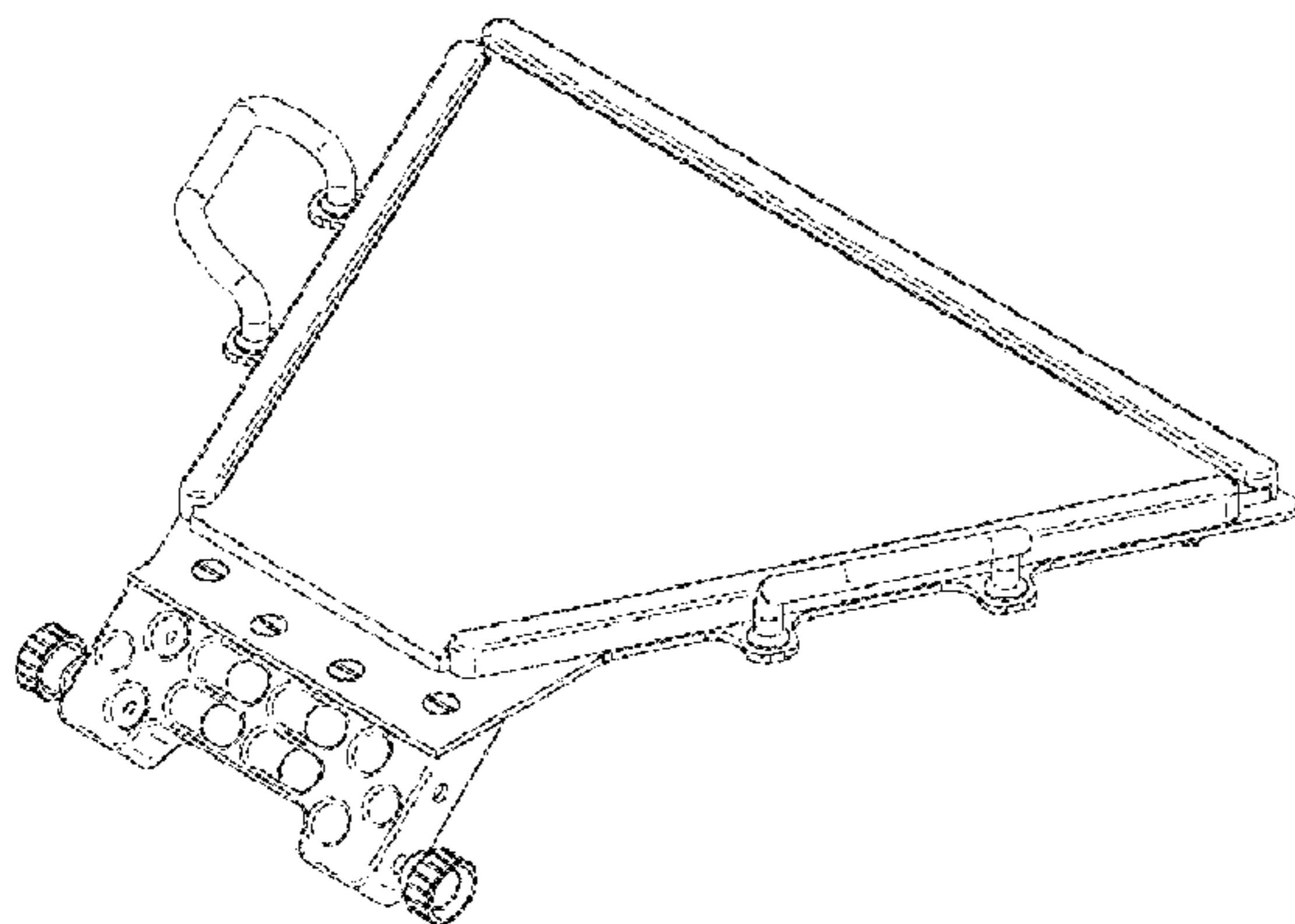
The broken lines shown in FIG. 10 are included for the purpose of illustrating portions of the low angle mirror optical device and form no part of the claimed design.

(56) **References Cited**

U.S. PATENT DOCUMENTS

D234,864 S *	4/1975	Hoeweler et al.	D16/225
4,092,064 A *	5/1978	Puel	G03B 21/10 353/79
D360,426 S *	7/1995	Maiefski	D16/225
D639,076 S *	6/2011	Fukui	D16/235
D685,406 S *	7/2013	Cobian	D16/221
8,947,400 B2 *	2/2015	Virolainen	G03B 21/10 178/18.09
8,979,283 B2 *	3/2015	Zhu	G03B 21/00 248/121

1 Claim, 9 Drawing Sheets



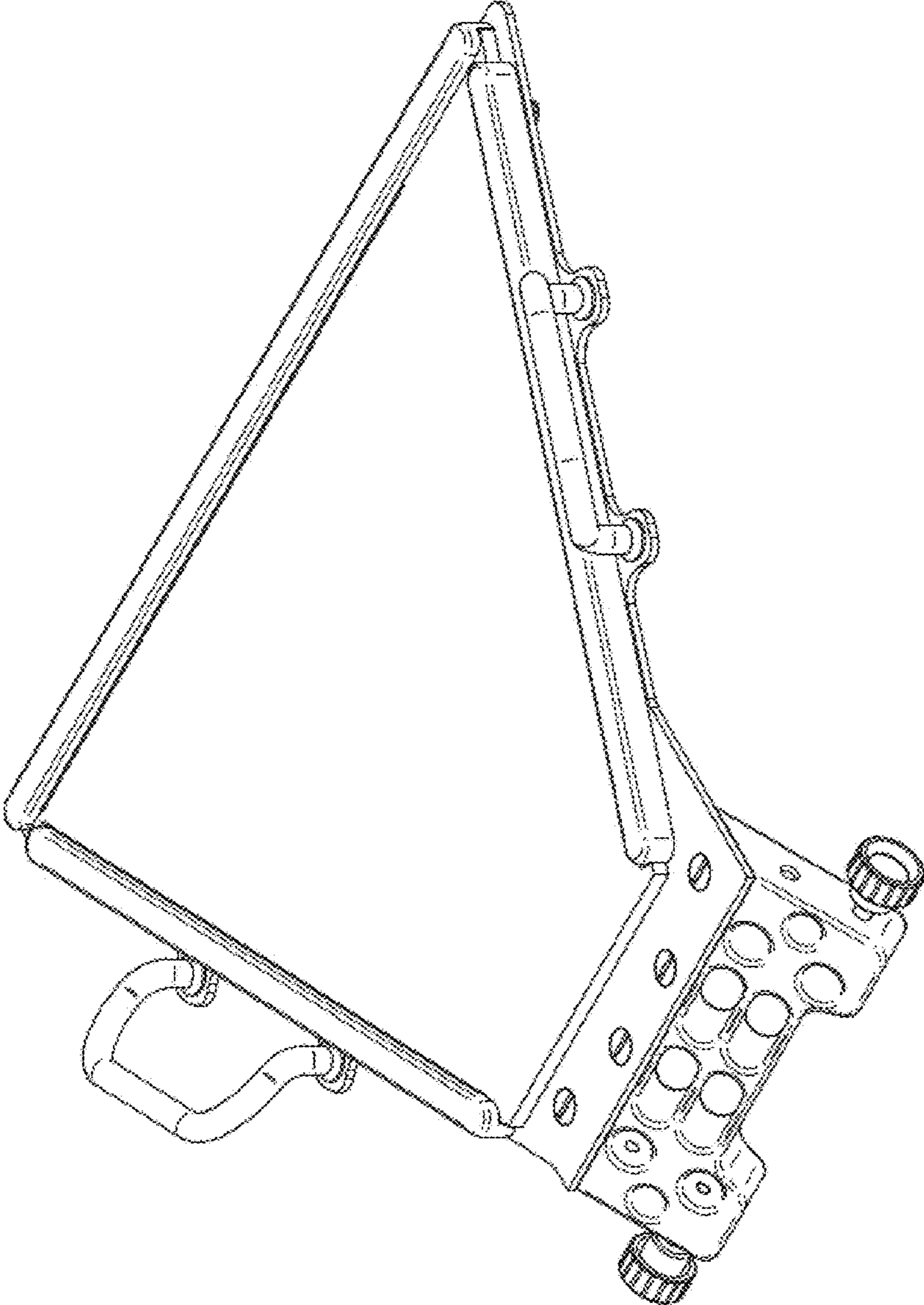


FIG. 1

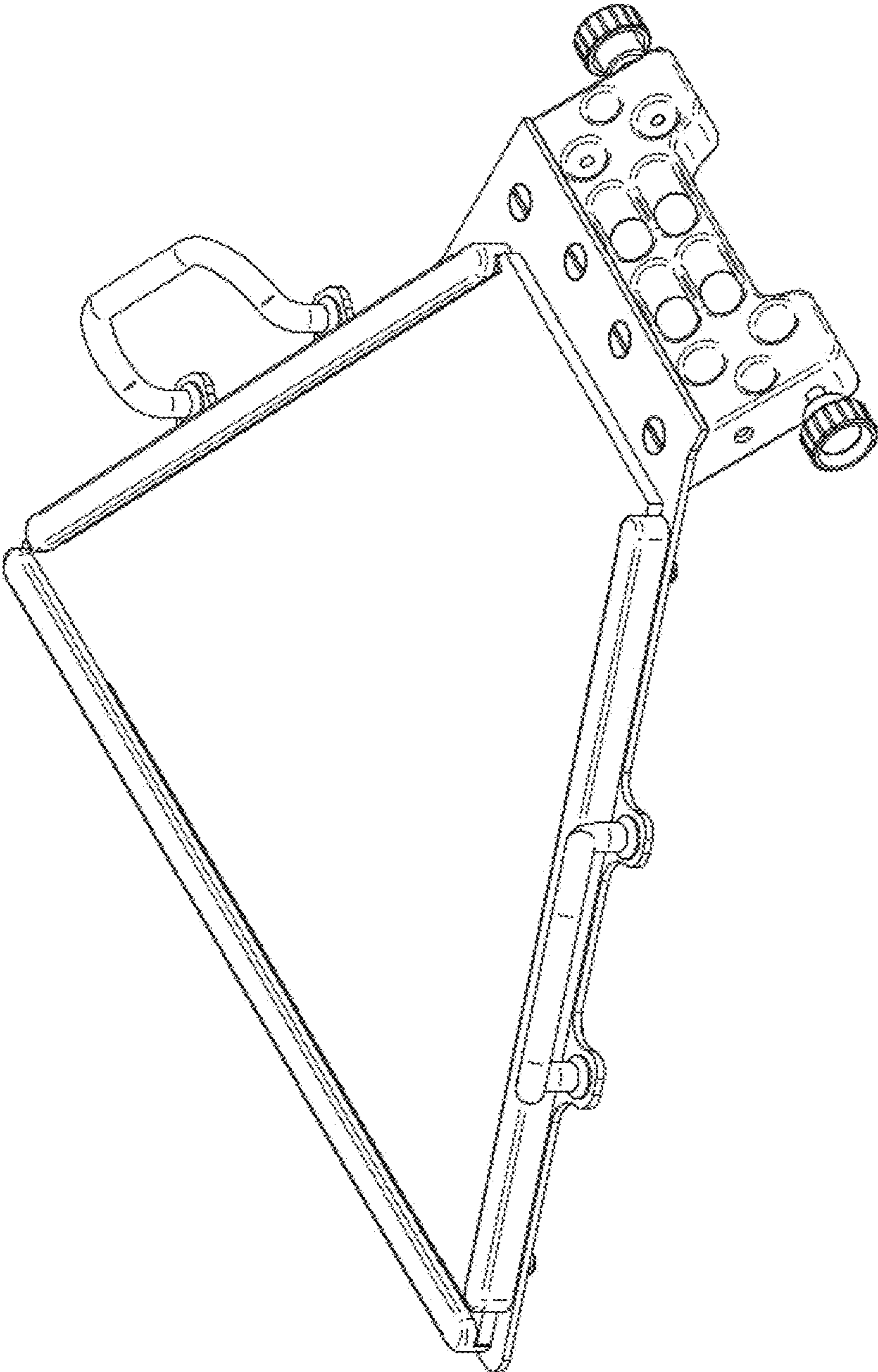


FIG. 2

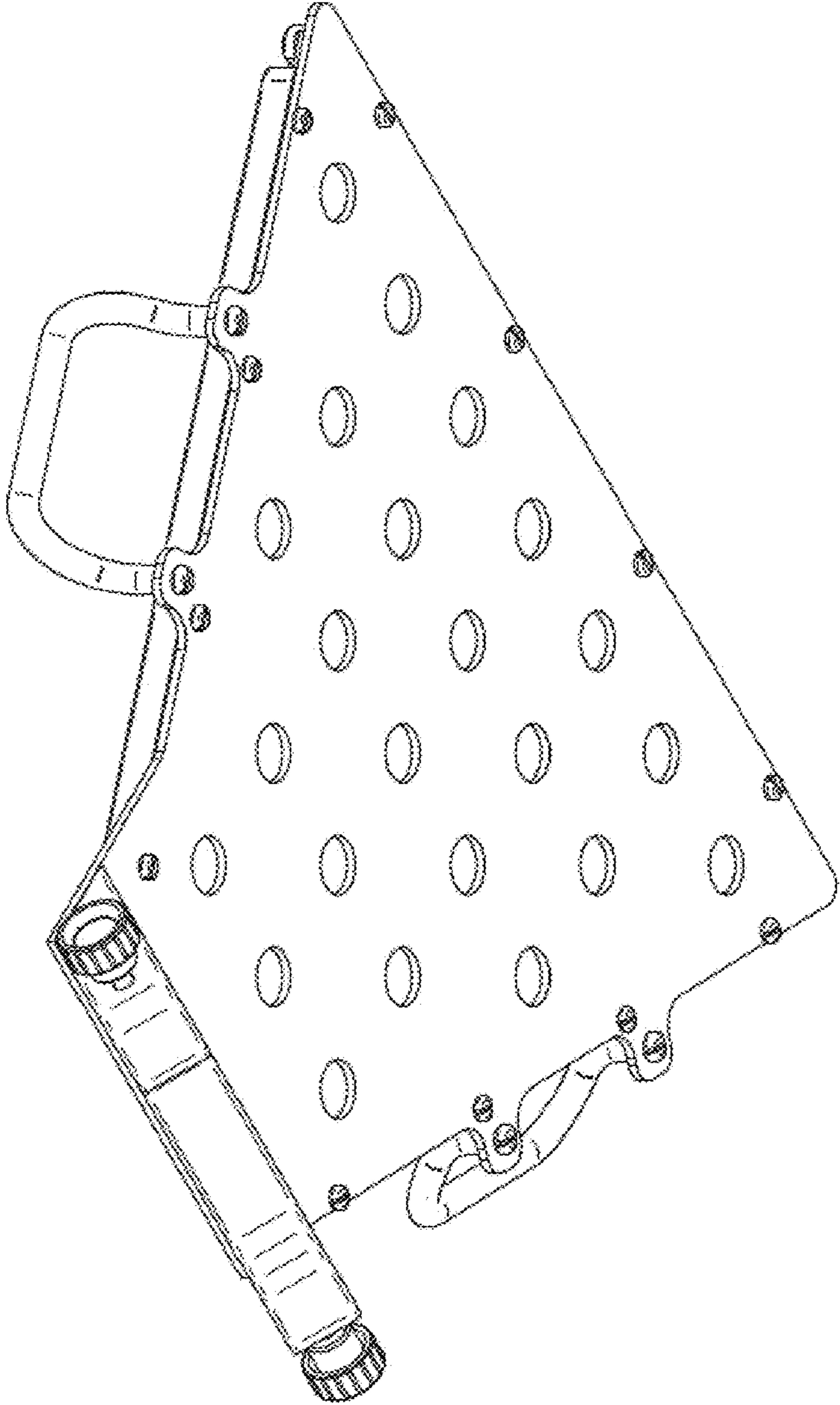


FIG. 3

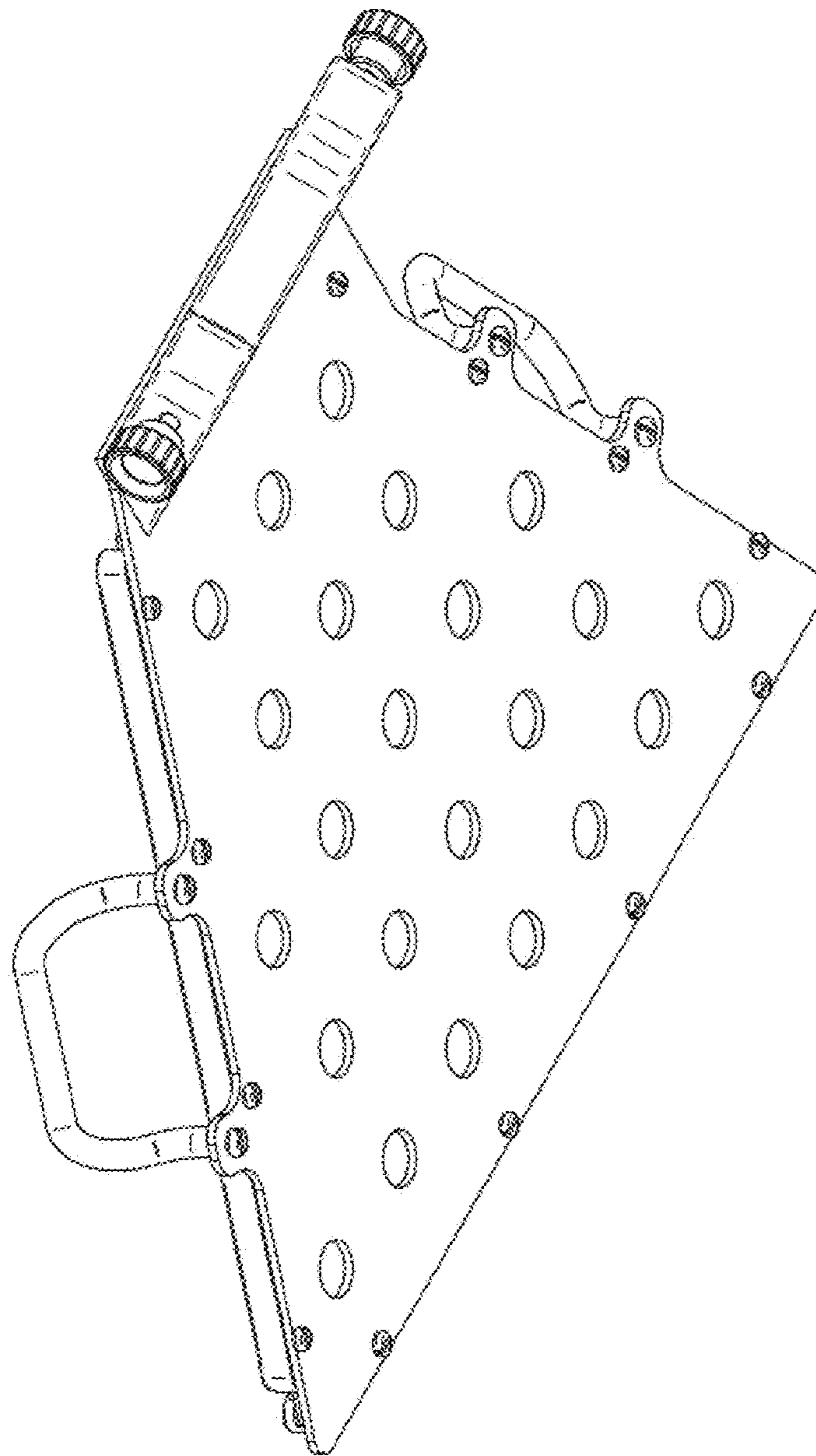


FIG. 4

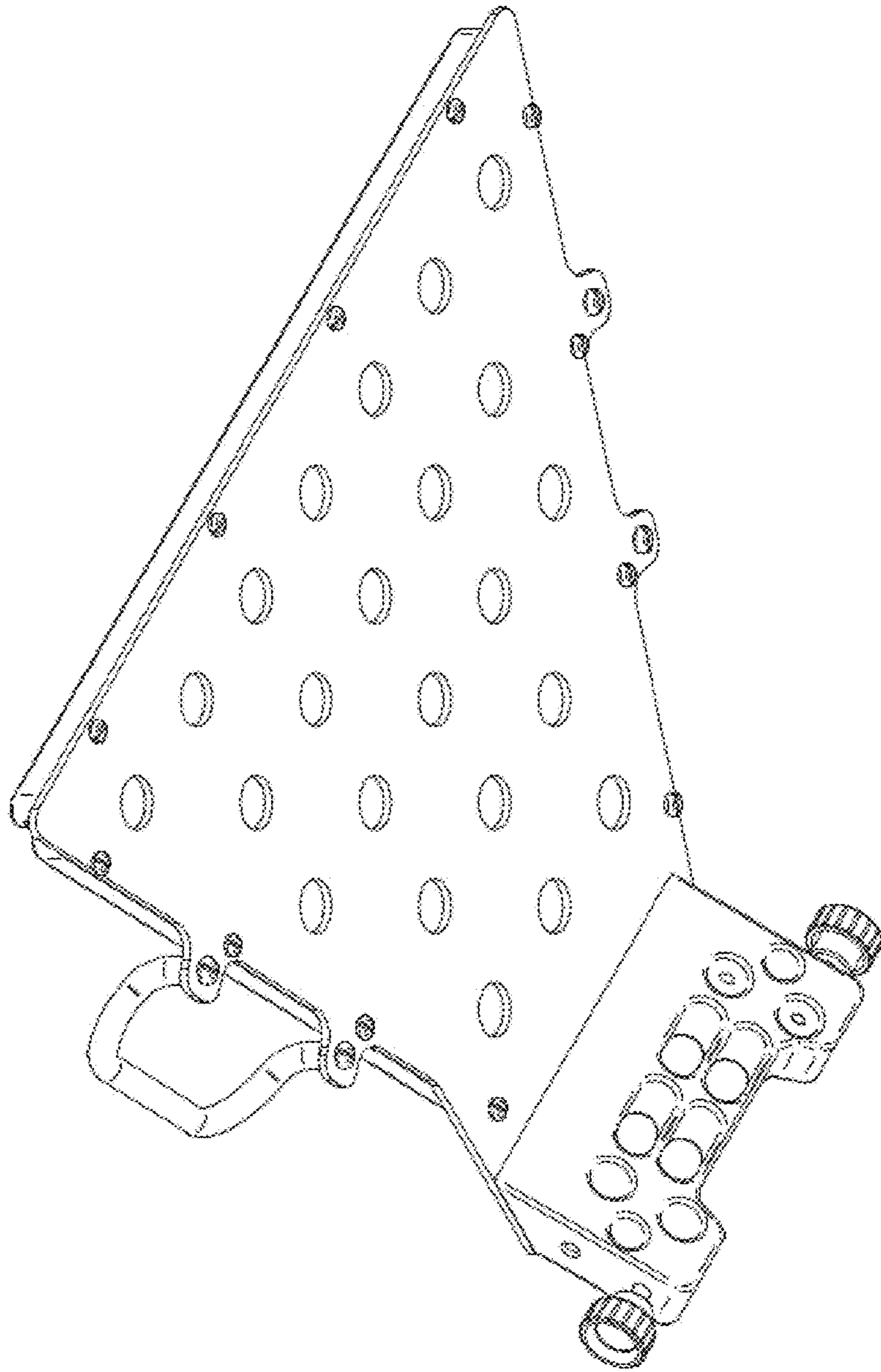


FIG. 5

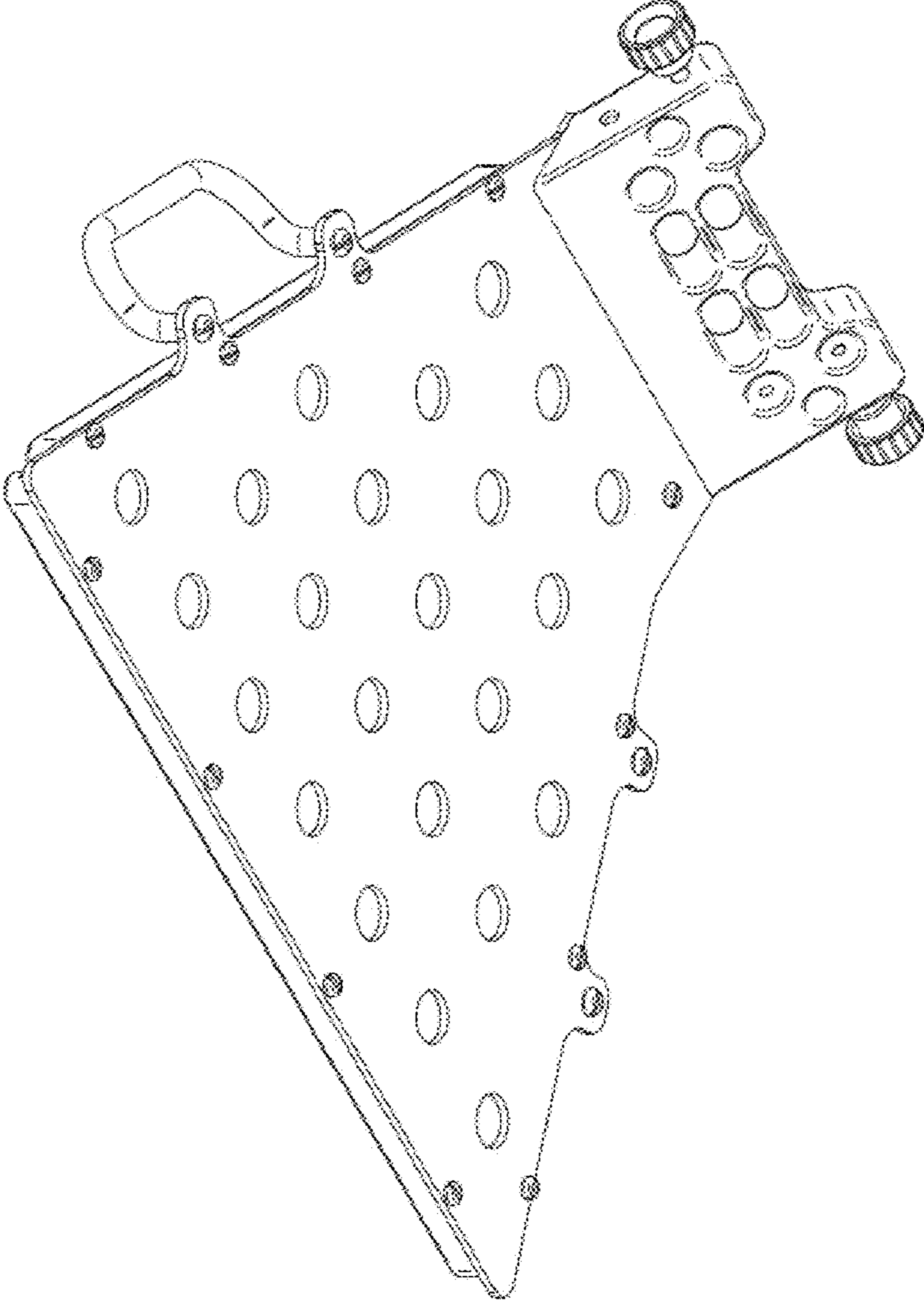


FIG. 6

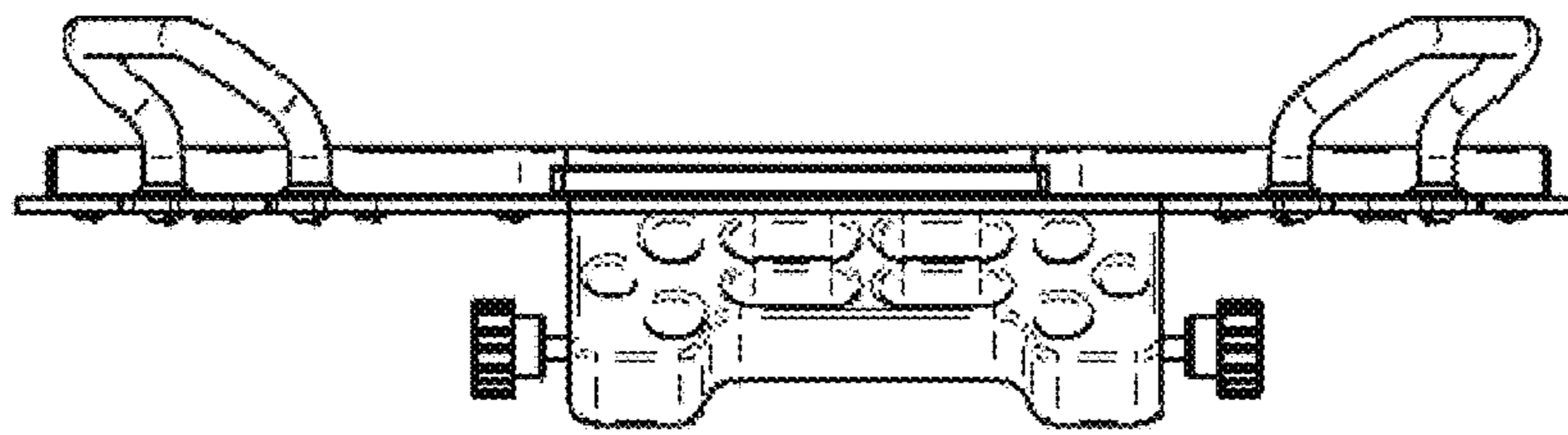


FIG. 7

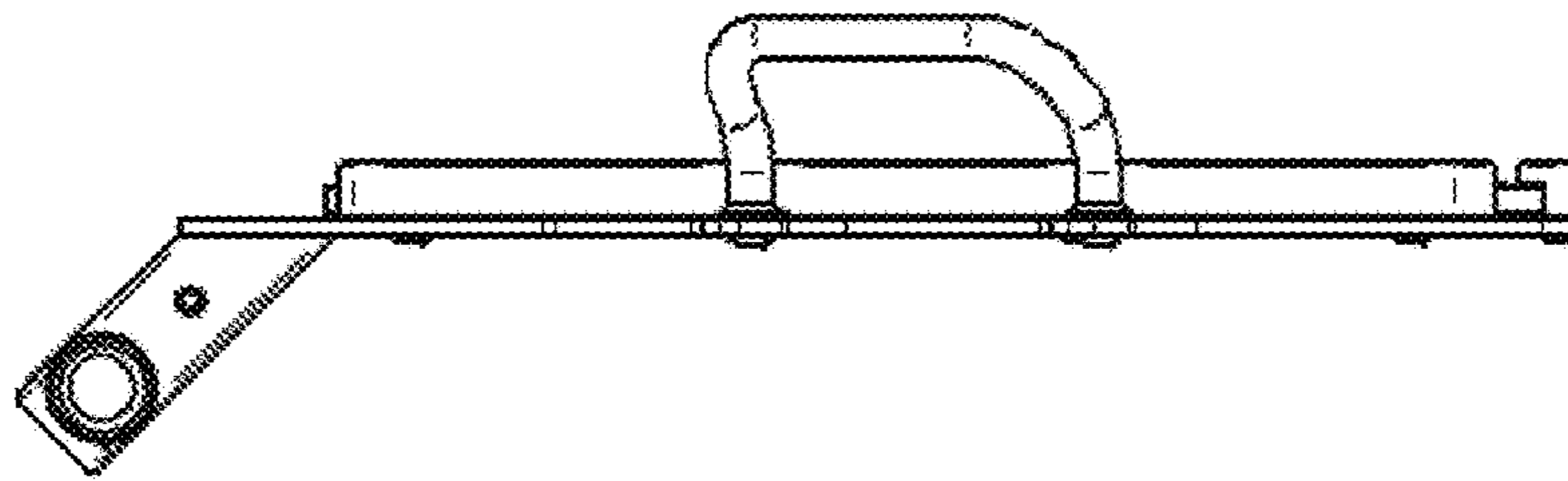


FIG. 8

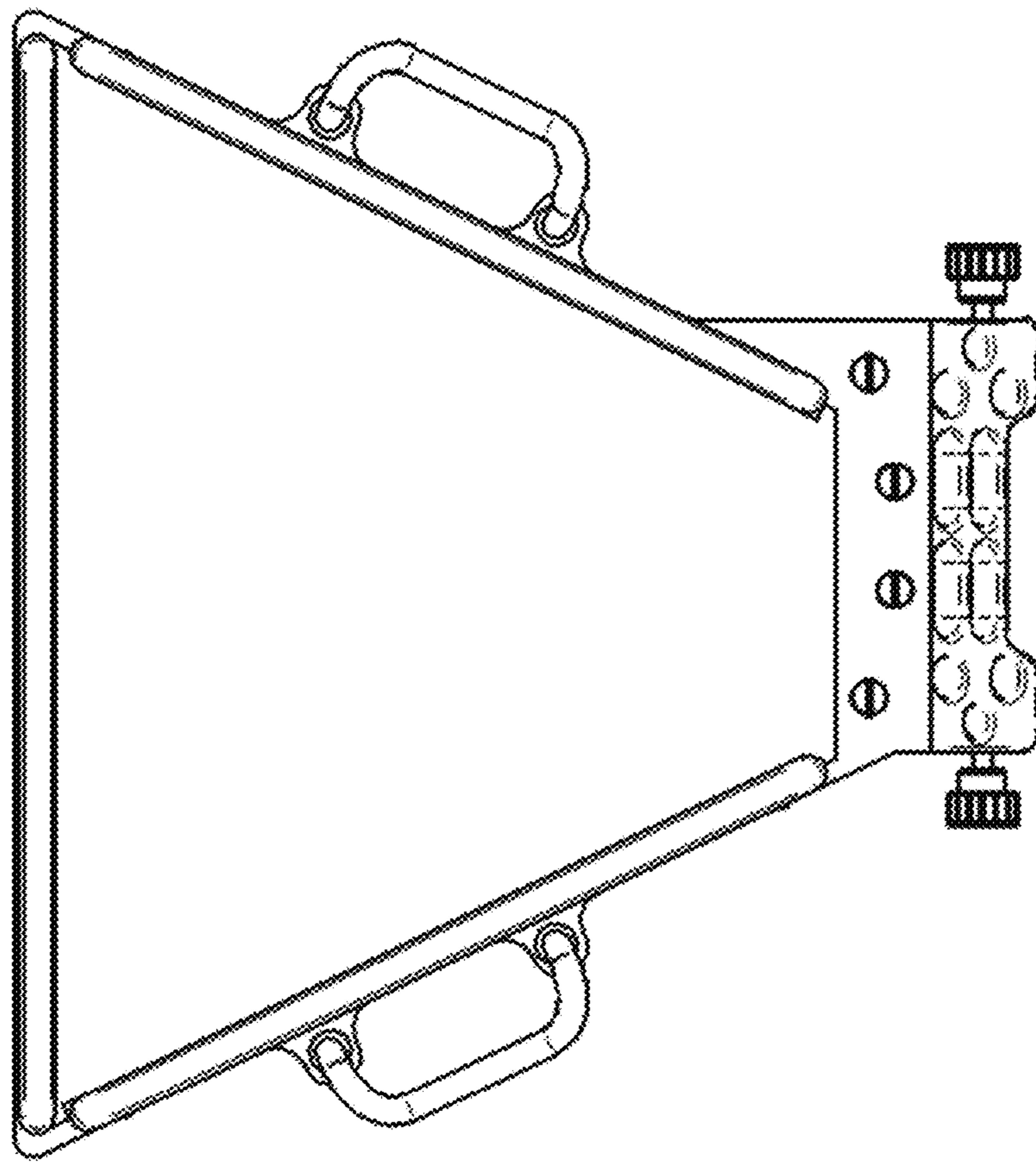


FIG. 9

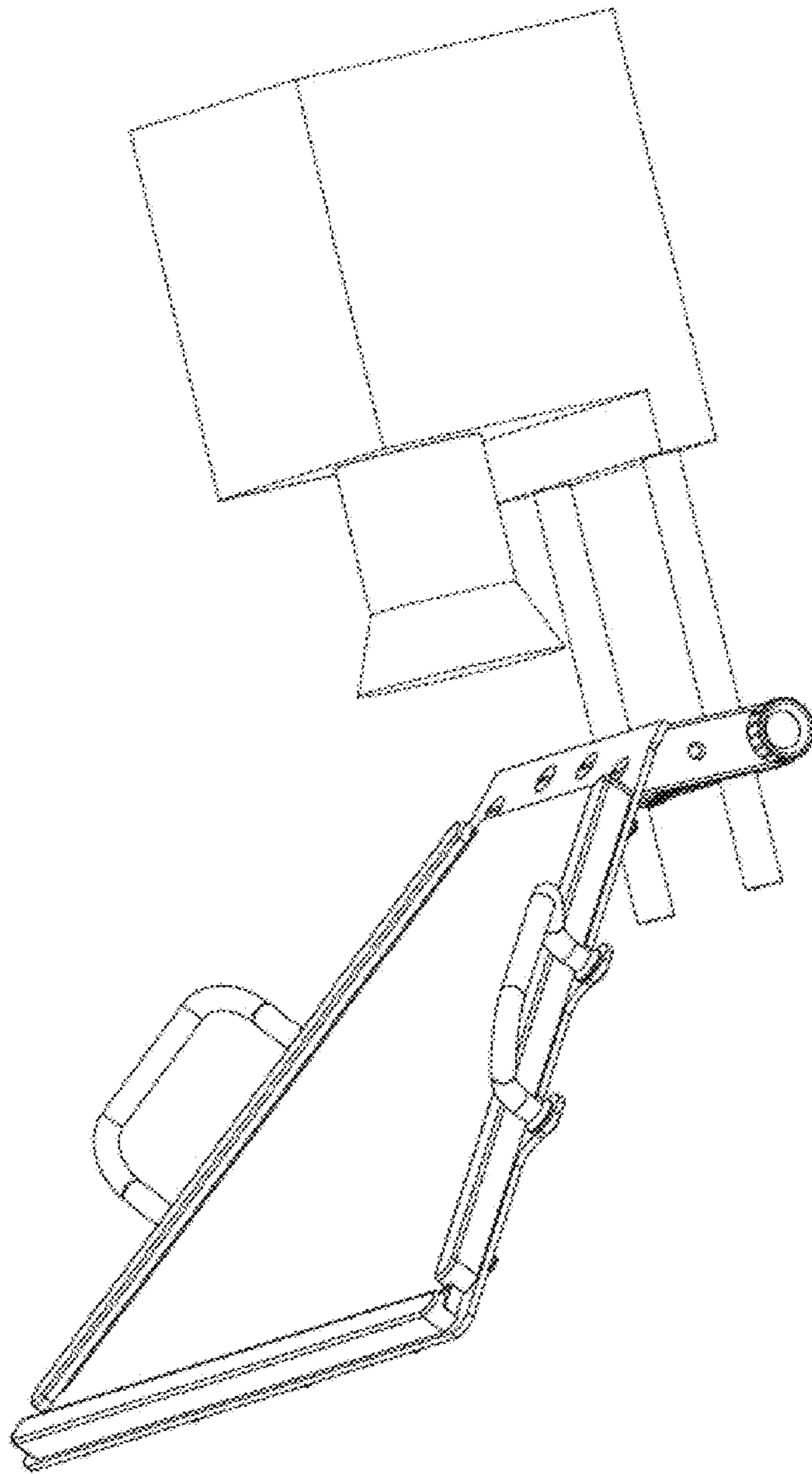


FIG. 10