



US00D854599S

(12) **United States Design Patent**
Hong et al.

(10) **Patent No.:** **US D854,599 S**
(45) **Date of Patent:** **** Jul. 23, 2019**

- (54) **CAMERA DEVICE**
- (71) Applicant: **IPEVO CORP.**, Taipei (TW)
- (72) Inventors: **Royce Yu-Chun Hong**, Taipei (TW);
Chen-Han Hsieh, Taipei (TW)
- (73) Assignee: **IPEVO Corp.**, Taipei (TW)
- (**) Term: **15 Years**
- (21) Appl. No.: **29/619,736**
- (22) Filed: **Oct. 2, 2017**
- (51) **LOC (11) Cl.** **16-01**
- (52) **U.S. Cl.**
USPC **D16/214**; D16/232; D14/423
- (58) **Field of Classification Search**
USPC D16/200, 202–204, 208, 211, 218, 219,
D16/221, 225, 229, 232; D14/423;
348/373–376; 396/430, 431, 535,
396/539–541
CPC G03B 17/02; G03B 19/04; G03B 17/56;
G03B 17/04; G03B 15/03; G03B 17/48;
G03B 17/06; H04N 5/2251; H04N
5/2252; H04N 5/2253; H04N 5/2254
See application file for complete search history.

D667,042 S *	9/2012	Shen	D14/423
D677,707 S *	3/2013	Shen	D16/232
D680,148 S *	4/2013	Unno	D14/423
D714,775 S *	10/2014	Yoo	D14/253
D717,855 S *	11/2014	Hong	D14/423
D753,209 S *	4/2016	Zetsu	D16/208
D756,439 S *	5/2016	Conard	D16/208
D782,558 S *	3/2017	Tabuchi	D16/214

* cited by examiner

Primary Examiner — Ramzi S Almatrahi

(74) *Attorney, Agent, or Firm* — Alan D. Kamrath; Mayer & Williams PC

(56) **References Cited**
U.S. PATENT DOCUMENTS

5,978,028 A *	11/1999	Yamane	H04N 1/195 248/558
D607,482 S *	1/2010	Inoue	D14/423
D642,608 S *	8/2011	Kato	D14/423
D651,635 S *	1/2012	Hong	D14/423
D662,121 S *	6/2012	Rodriguez	D14/423

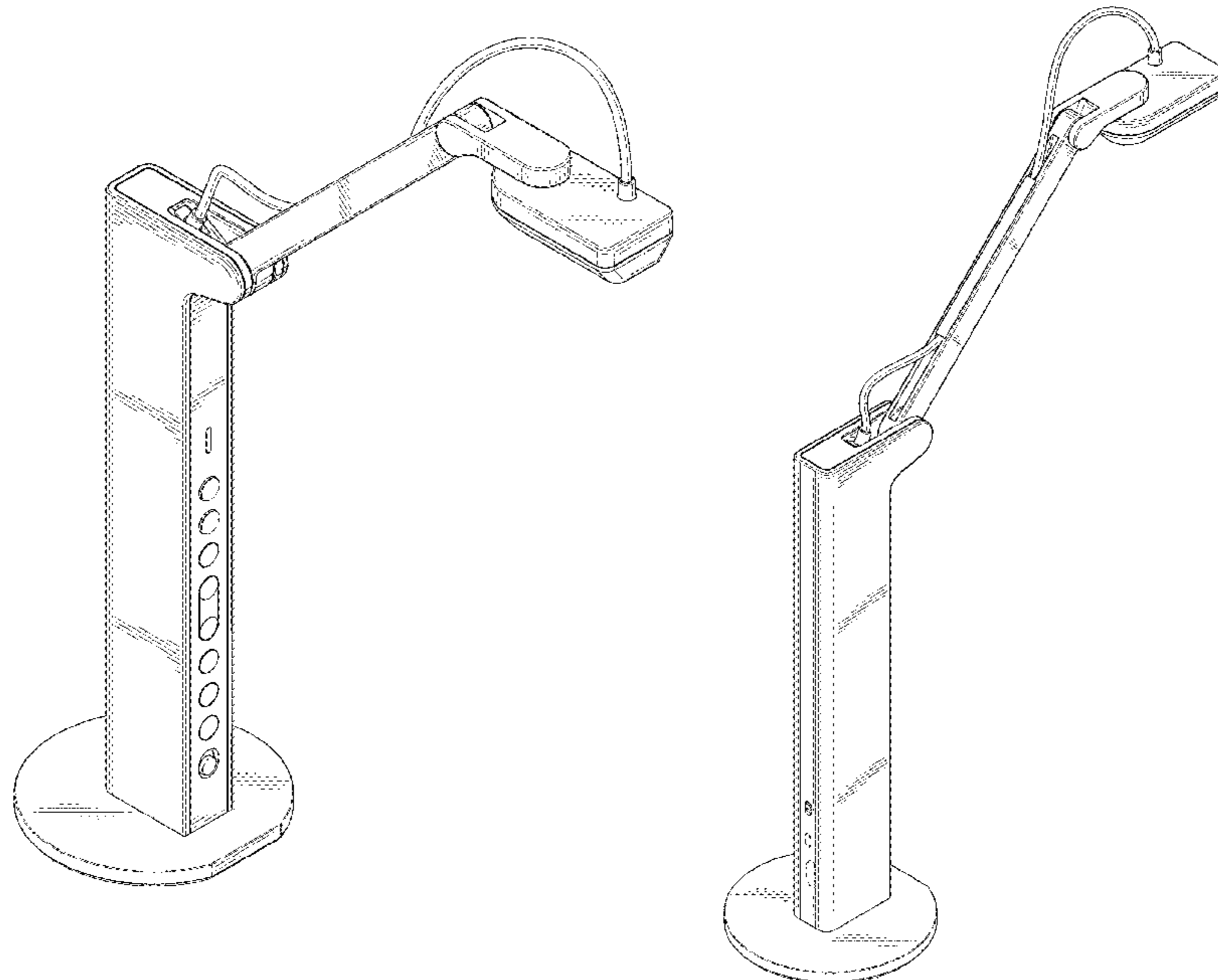
(57) **CLAIM**

The ornamental design for a camera device, as shown and described.

DESCRIPTION

FIG. 1 is a front perspective view of a camera device showing our new design;
 FIG. 2 is a front view thereof;
 FIG. 3 is a rear view thereof;
 FIG. 4 is a left view thereof;
 FIG. 5 is a right view thereof;
 FIG. 6 is a top view thereof;
 FIG. 7 is a bottom view thereof;
 FIG. 8 is a rear perspective view thereof; and,
 FIG. 9 is a front perspective view thereof, shown in a folded configuration.
 The broken lines depict portions of the camera device in which the design is embodied that forms no part of the claimed design.

1 Claim, 9 Drawing Sheets



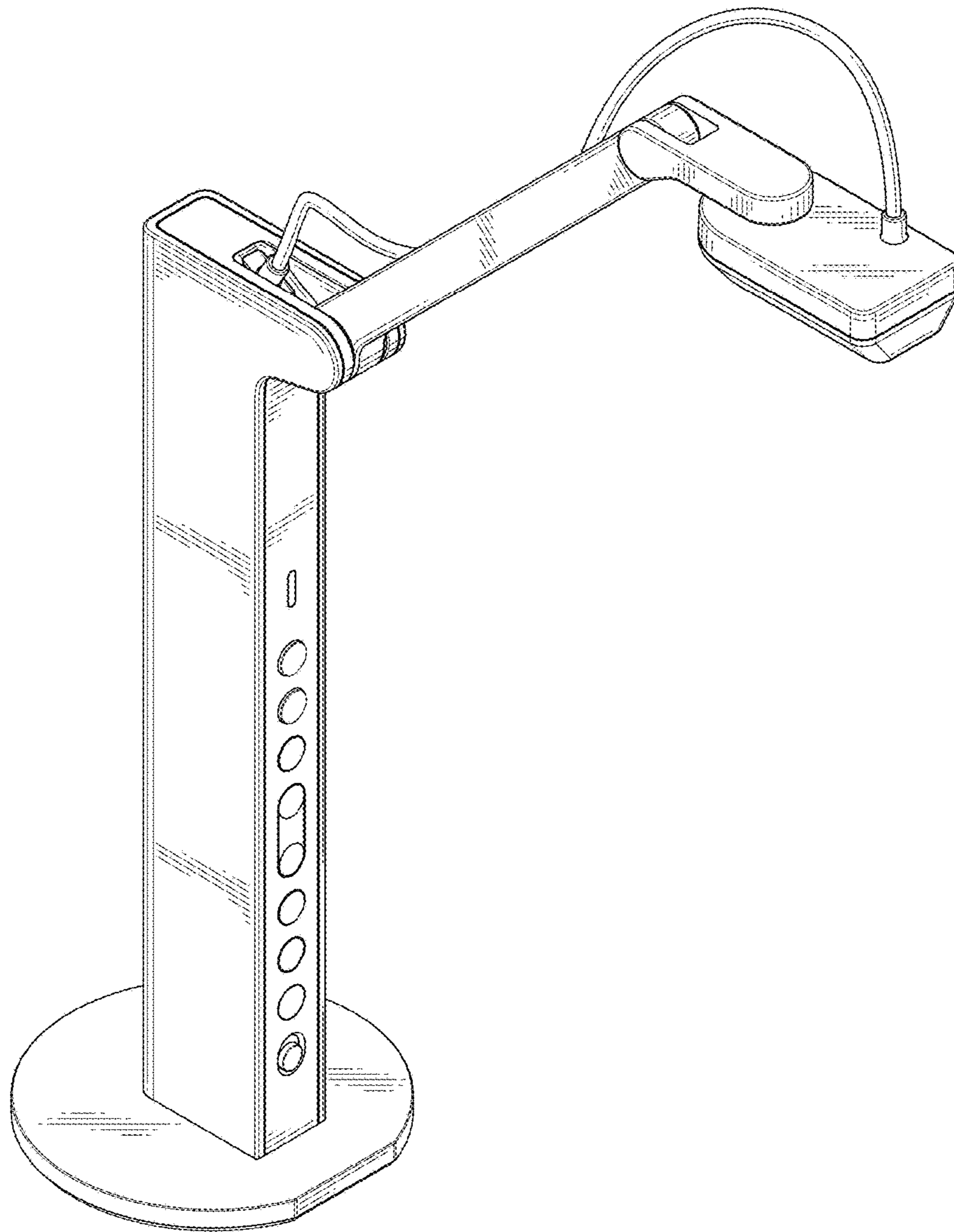


FIG. 1

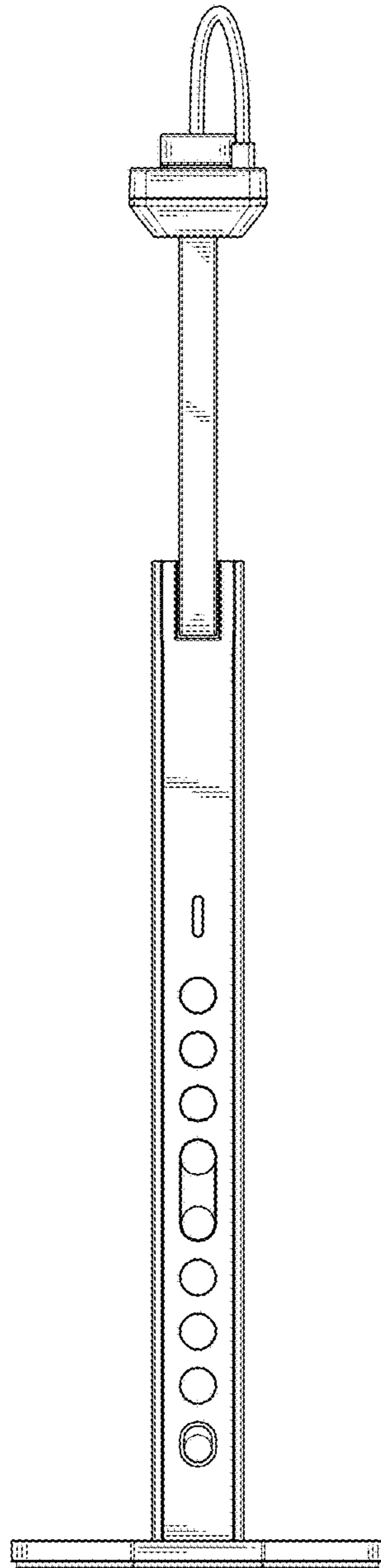


FIG.2

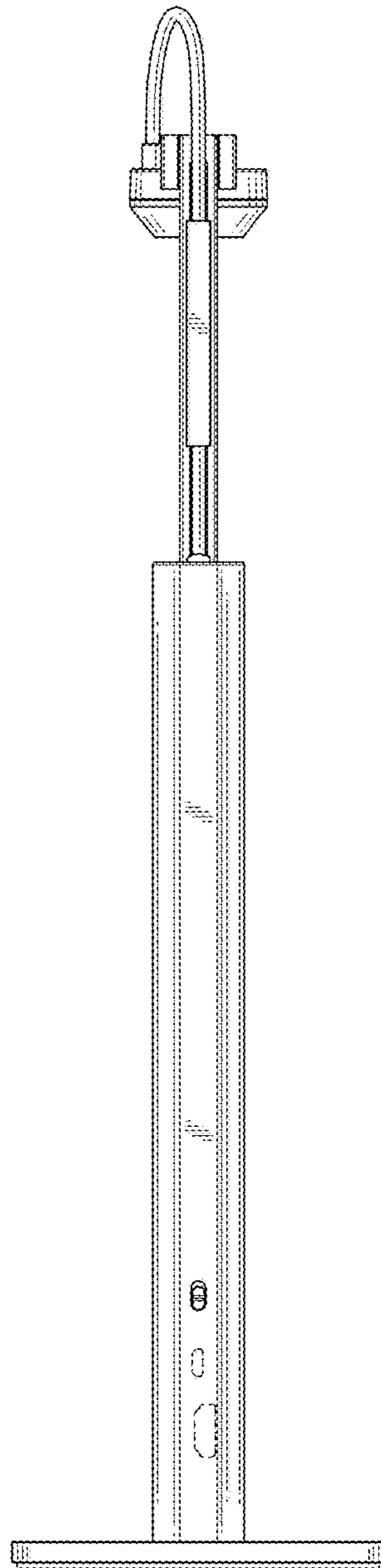


FIG.3

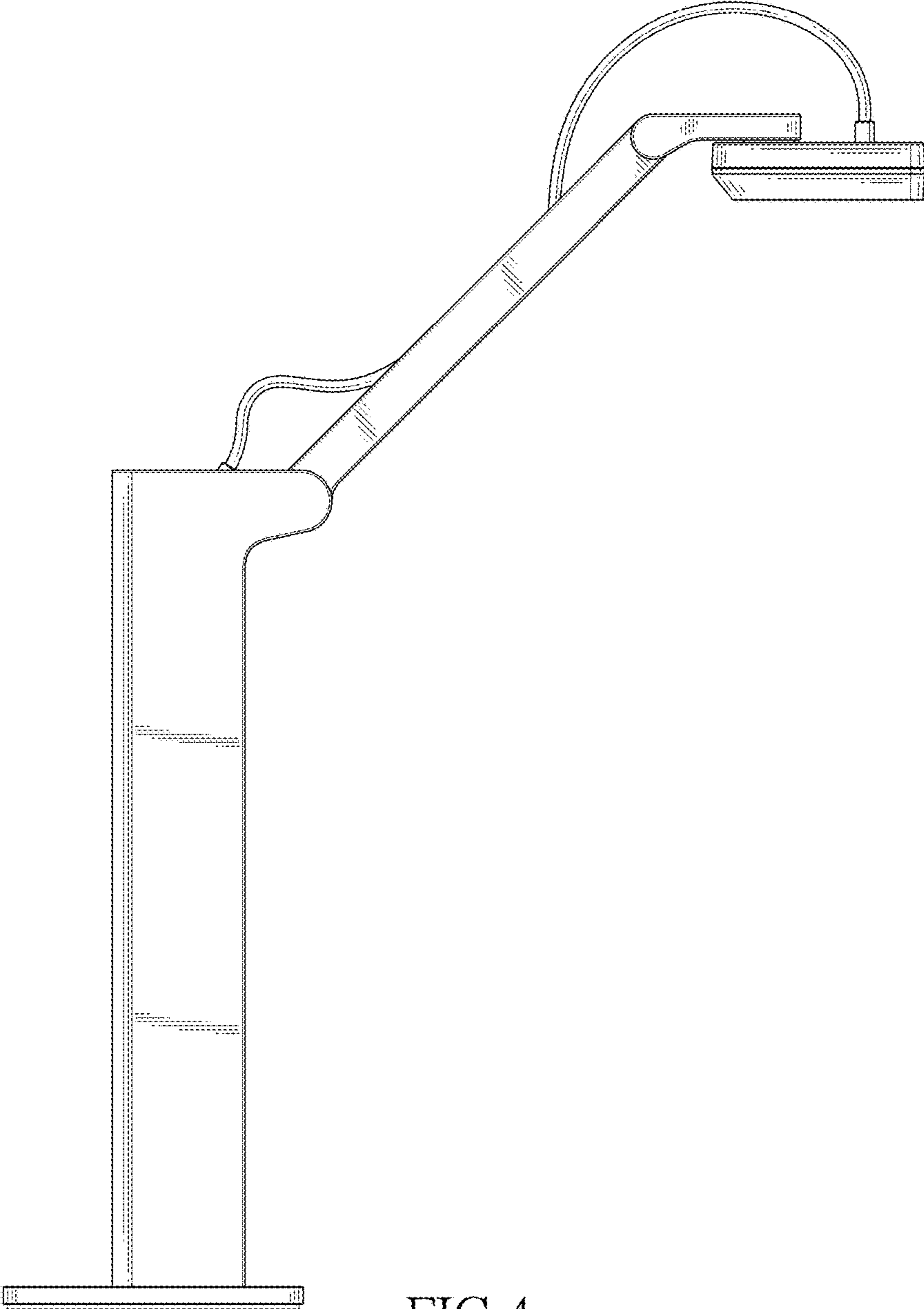


FIG.4

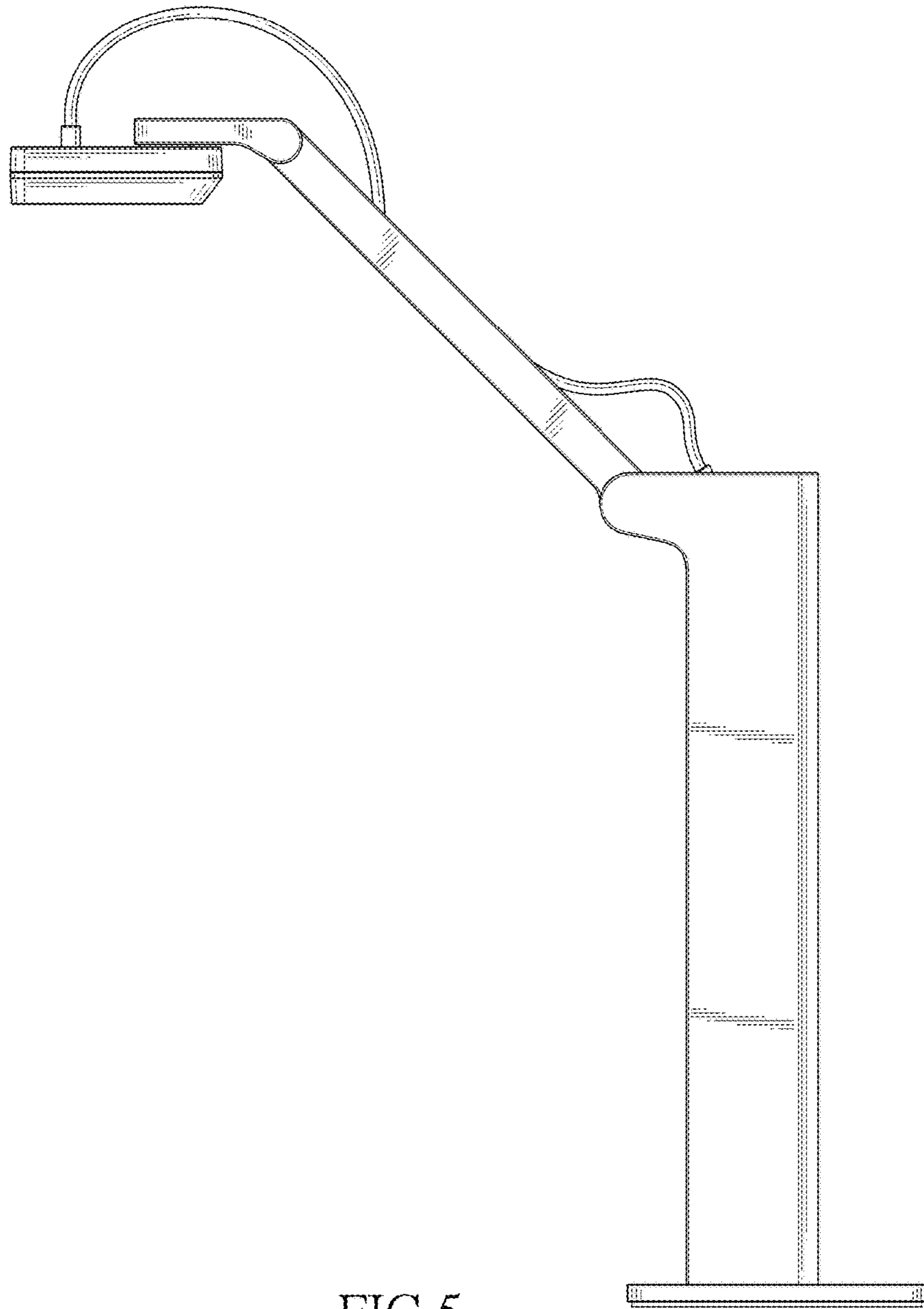


FIG.5

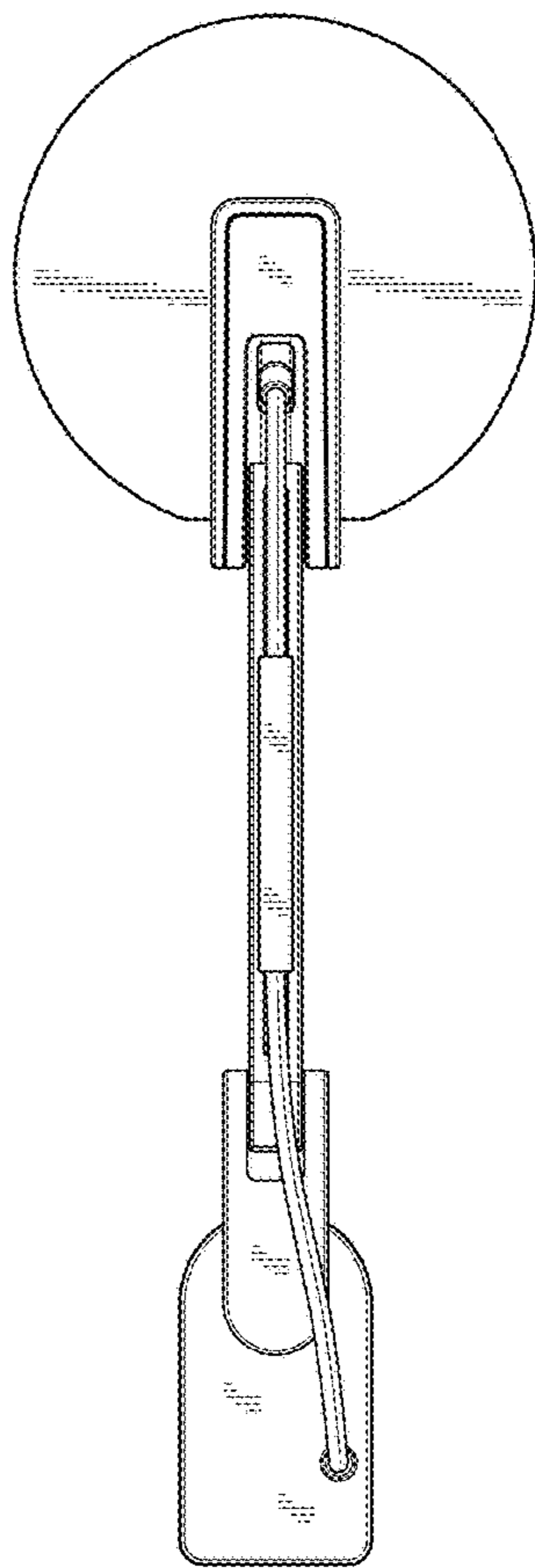


FIG.6

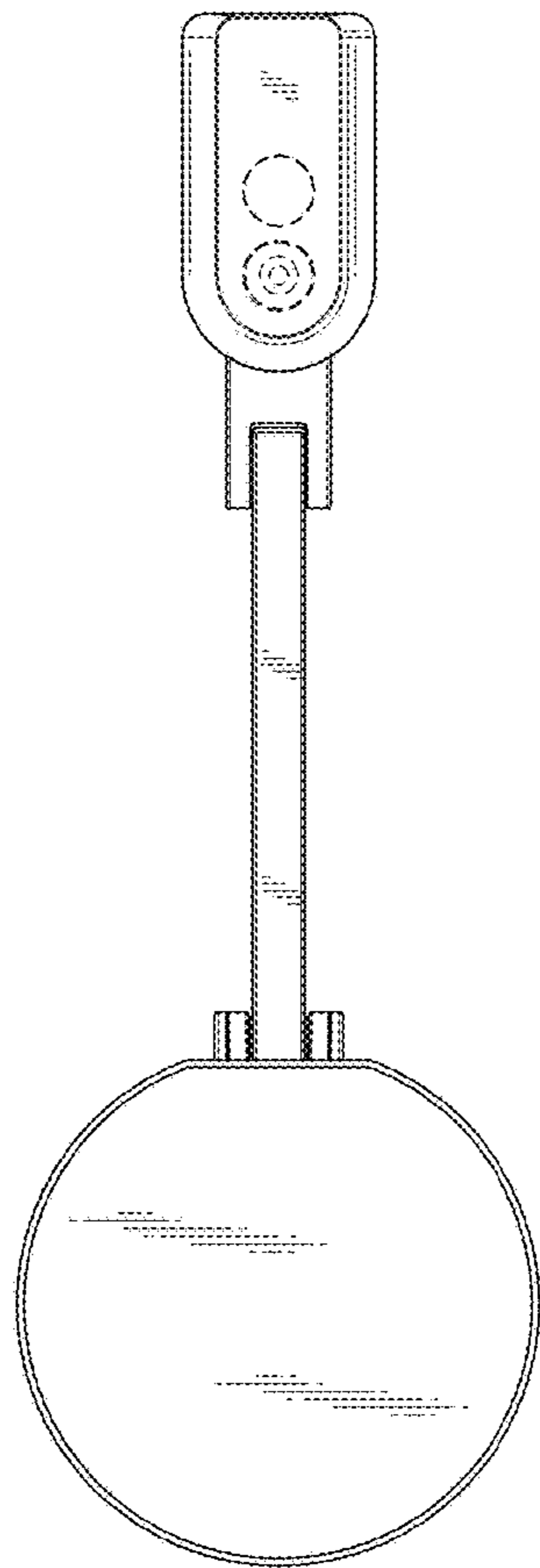


FIG.7

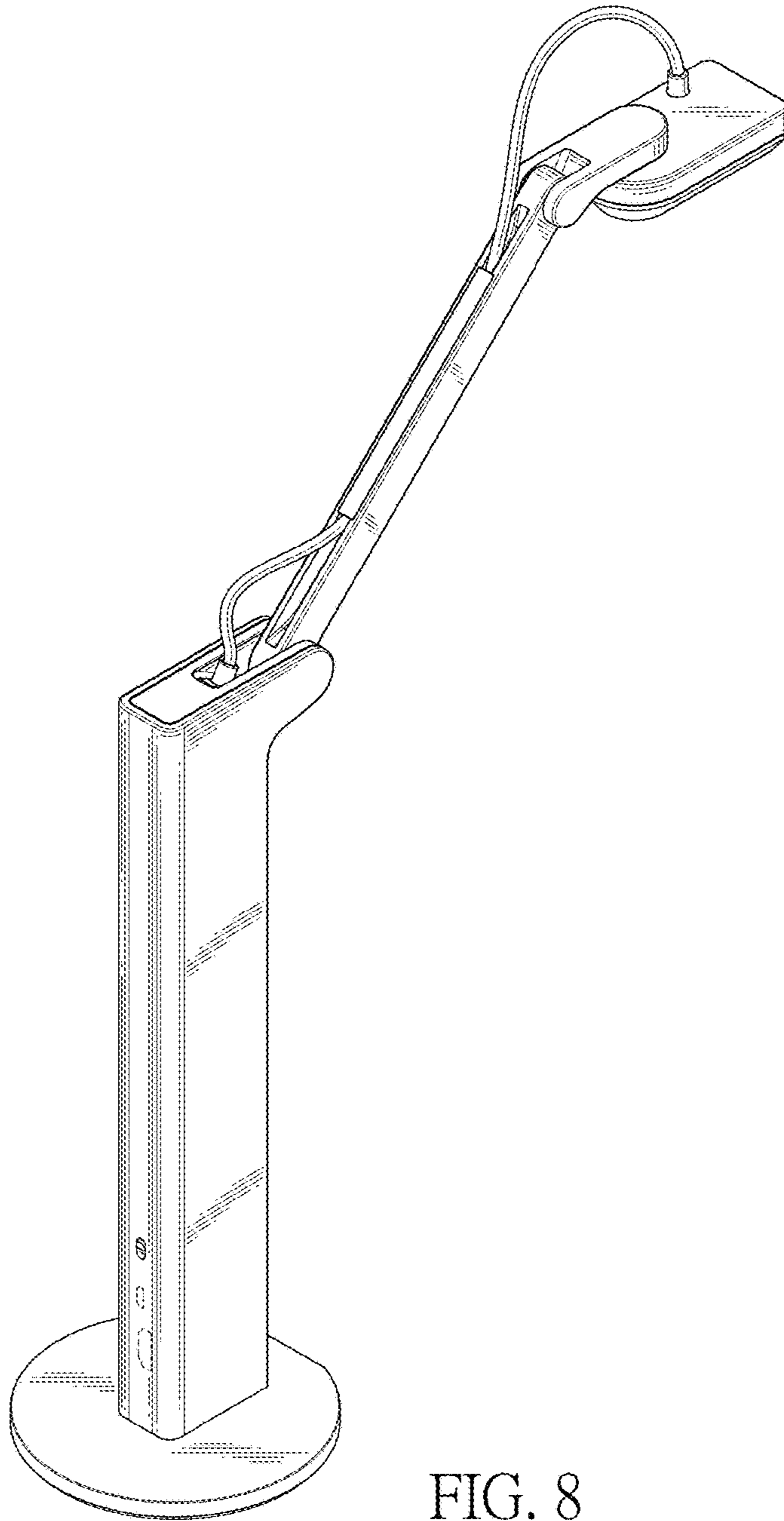


FIG. 8

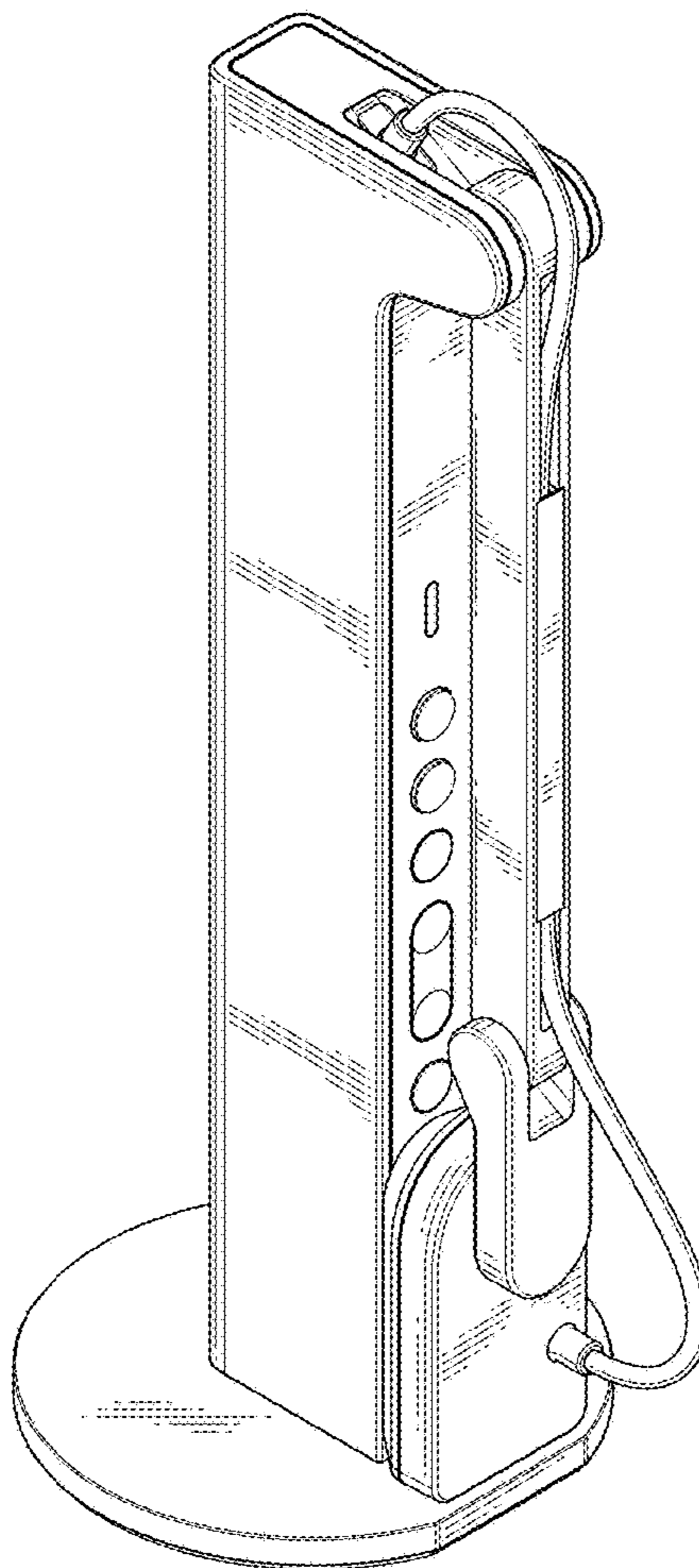


FIG. 9