



US00D854598S

(12) **United States Design Patent** (10) **Patent No.:** **US D854,598 S**  
**Hsieh** (45) **Date of Patent:** **\*\* Jul. 23, 2019**

(54) **CAMERA DEVICE**  
(71) Applicant: **IPEVO CORP.**, Taipei (TW)  
(72) Inventor: **Chen-Han Hsieh**, Taipei (TW)  
(73) Assignee: **IPEVO Corp.**, Taipei (TW)  
(\*\*) Term: **15 Years**  
(21) Appl. No.: **29/605,453**

D642,608 S *	8/2011	Kato	.....	D14/423
D651,635 S *	1/2012	Hong	.....	D14/423
D662,121 S *	6/2012	Rodriguez	.....	D14/423
D667,042 S *	9/2012	Shen	.....	D14/423
D677,707 S *	3/2013	Shen	.....	D16/232
D680,148 S *	4/2013	Unno	.....	D14/423
D714,775 S *	10/2014	Yoo	.....	D14/253
D717,855 S *	11/2014	Hong	.....	D14/423
D753,209 S *	4/2016	Zetsu	.....	D16/208
D756,439 S *	5/2016	Conard	.....	D16/208
D782,558 S *	3/2017	Tabuchi	.....	D16/214

\* cited by examiner

(22) Filed: **May 26, 2017**  
(51) **LOC (11) Cl.** ..... **16-01**  
(52) **U.S. Cl.**  
USPC ..... **D16/214**; D14/423; D16/232  
(58) **Field of Classification Search**  
USPC ..... D16/200, 202-204, 208, 211, 218, 219,  
D16/221, 225, 229, 232; D14/423;  
348/373-376; 396/430, 431, 535,  
396/539-541  
CPC ..... G03B 17/02; G03B 19/04; G03B 17/56;  
G03B 17/04; G03B 15/03; G03B 17/48;  
G03B 17/06; H04N 5/2251; H04N  
5/2252; H04N 5/2253; H04N 5/2254  
See application file for complete search history.

*Primary Examiner* — Ramzi S Almatrahi  
(74) *Attorney, Agent, or Firm* — Alan D. Kamrath; Mayer  
& Williams PC

(57) **CLAIM**

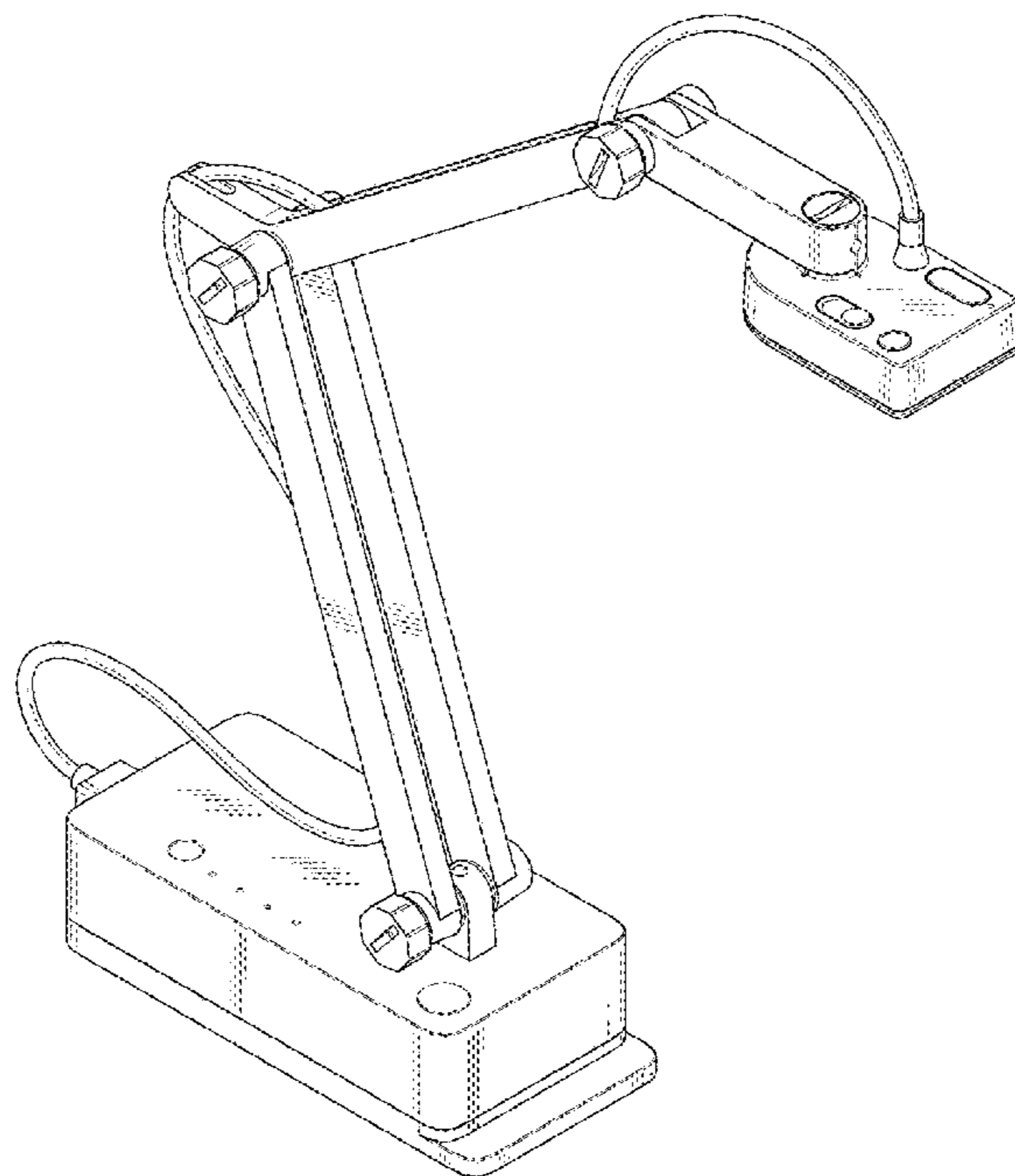
The ornamental design for a camera device, as shown and described.

**DESCRIPTION**

FIG. 1 is a perspective view of a camera device in accordance with the design;  
FIG. 2 is a front view thereof;  
FIG. 3 is a rear view thereof;  
FIG. 4 is a left view thereof;  
FIG. 5 is a right view thereof;  
FIG. 6 is a top view thereof; and,  
FIG. 7 is a bottom view thereof.  
The broken lines depict portions of the camera device in which the design is embodied that form no part of the claimed design.

(56) **References Cited**  
U.S. PATENT DOCUMENTS  
5,978,028 A \* 11/1999 Yamane ..... H04N 1/195  
248/558  
D607,482 S \* 1/2010 Inoue ..... D14/423

**1 Claim, 7 Drawing Sheets**



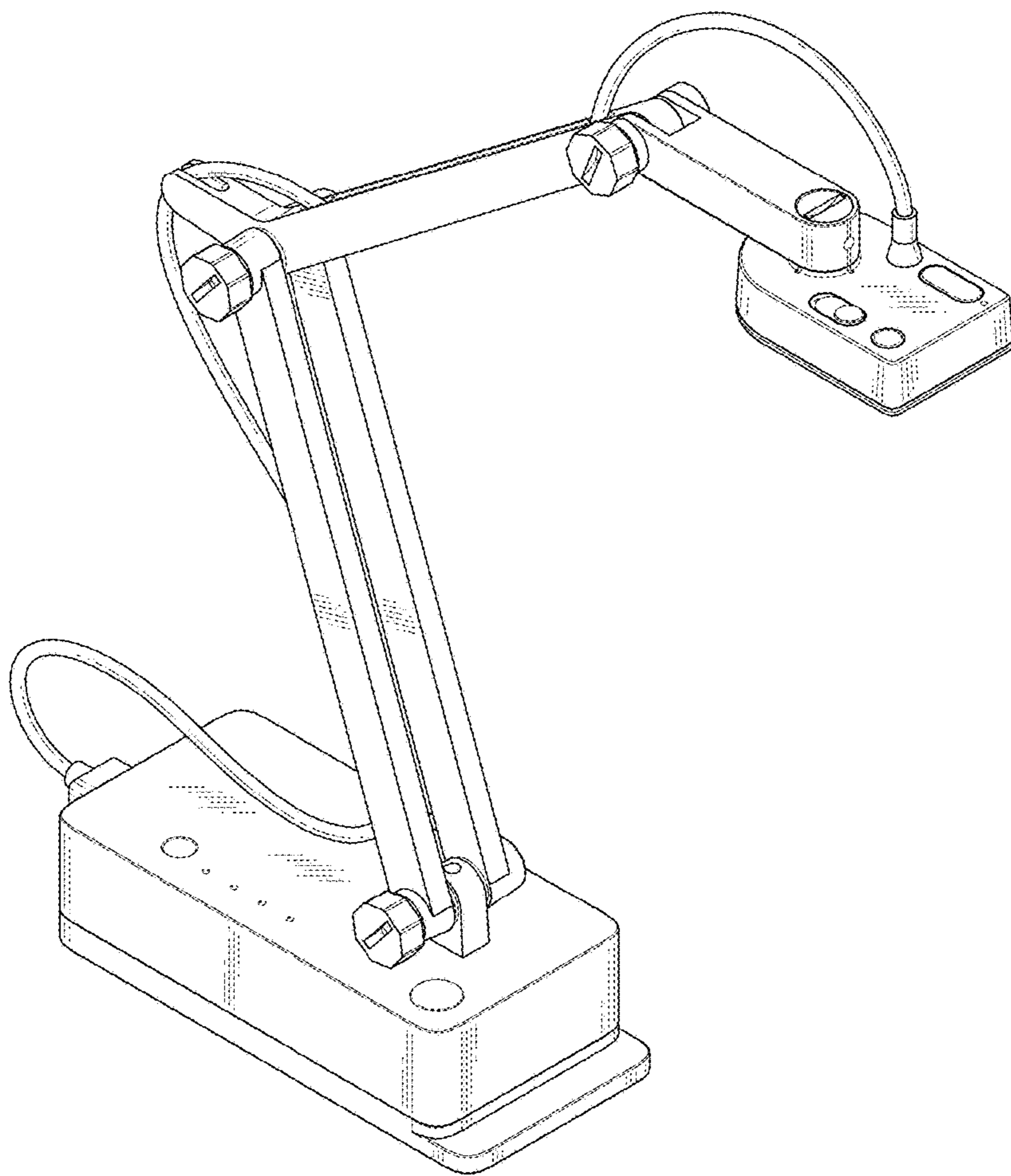


FIG. 1

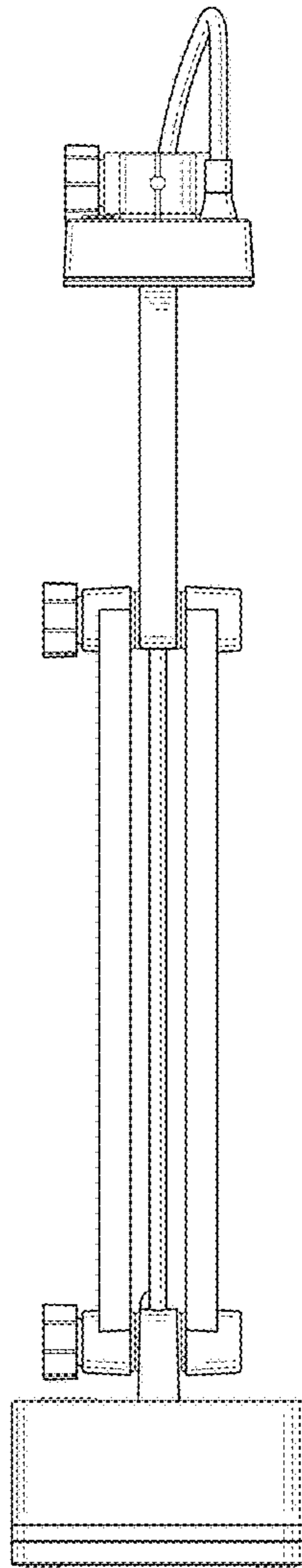


FIG. 2

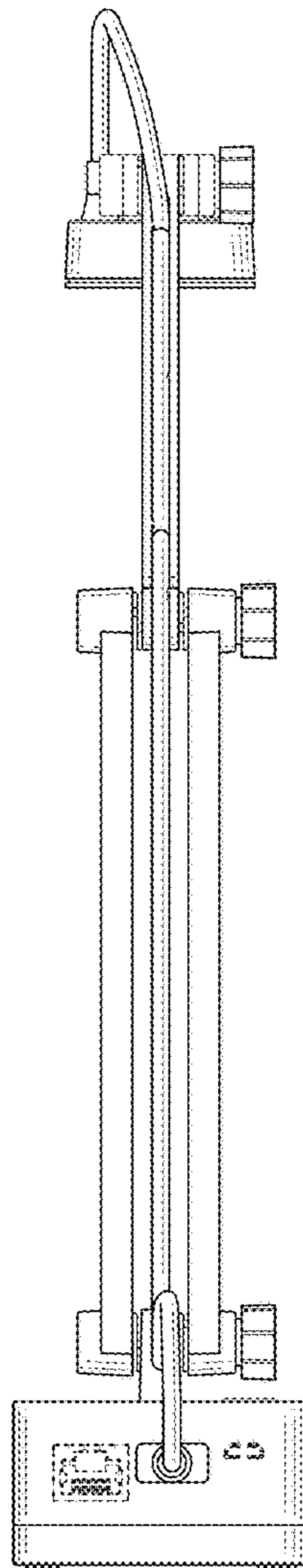


FIG. 3

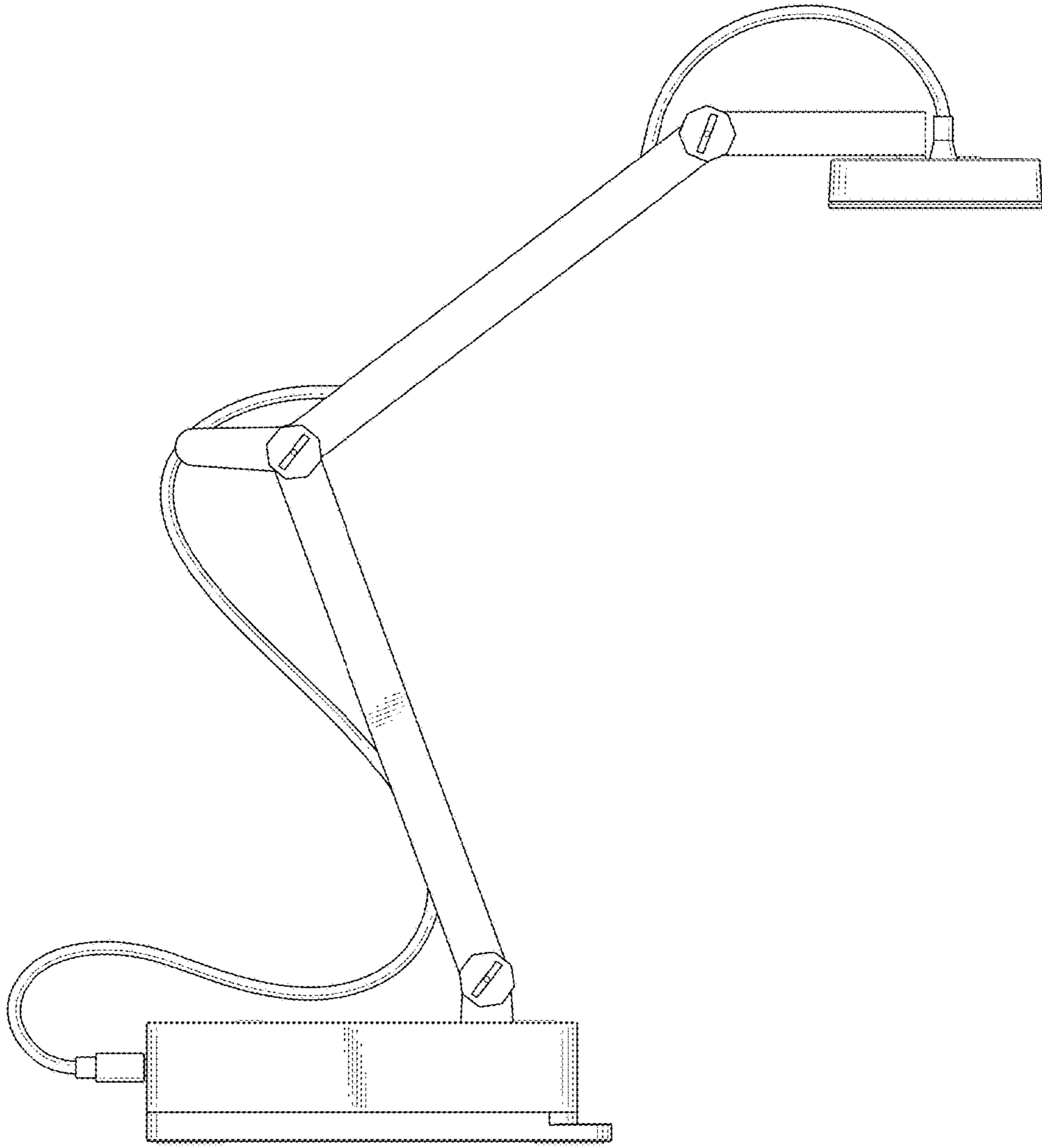


FIG. 4

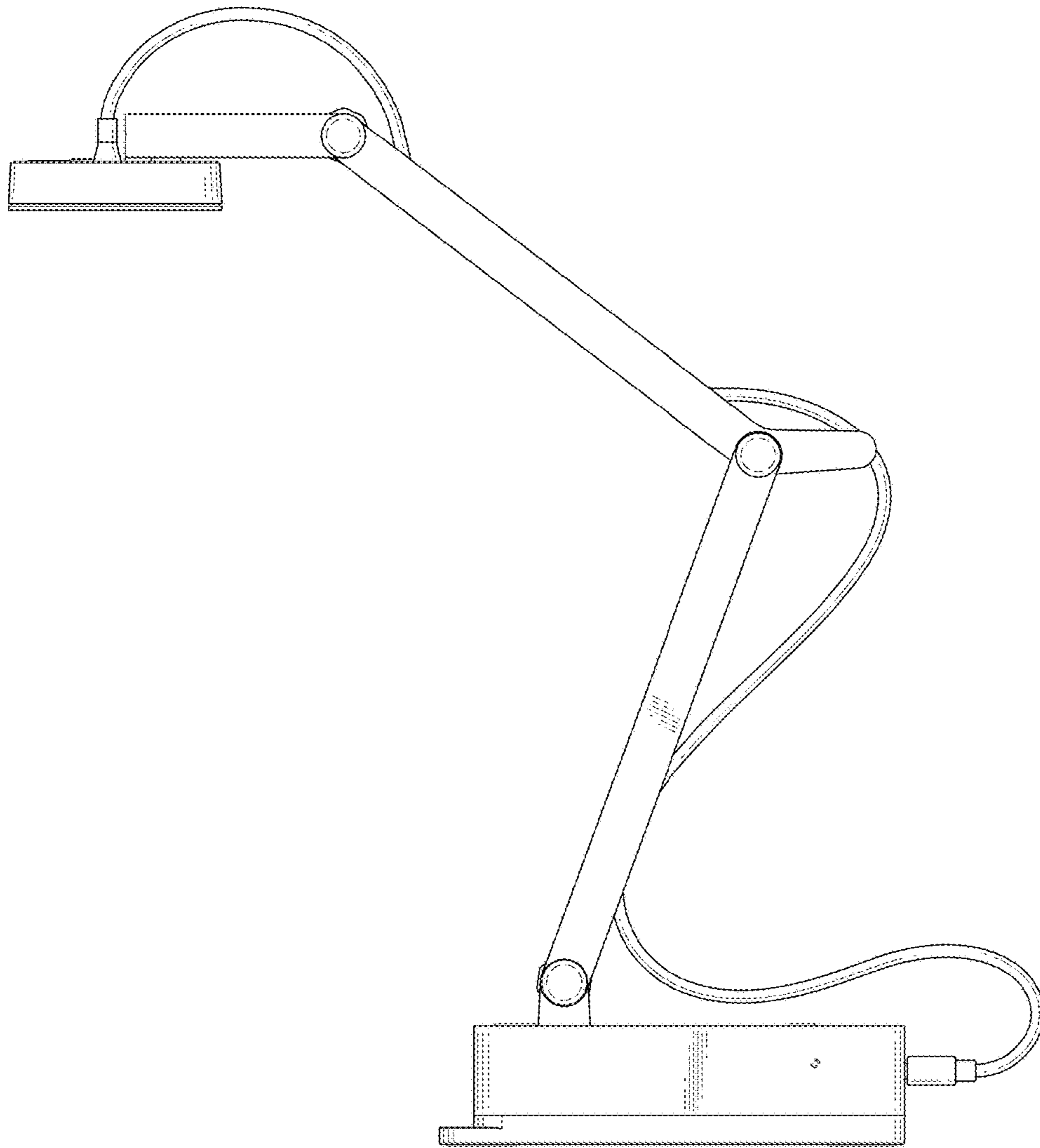


FIG. 5

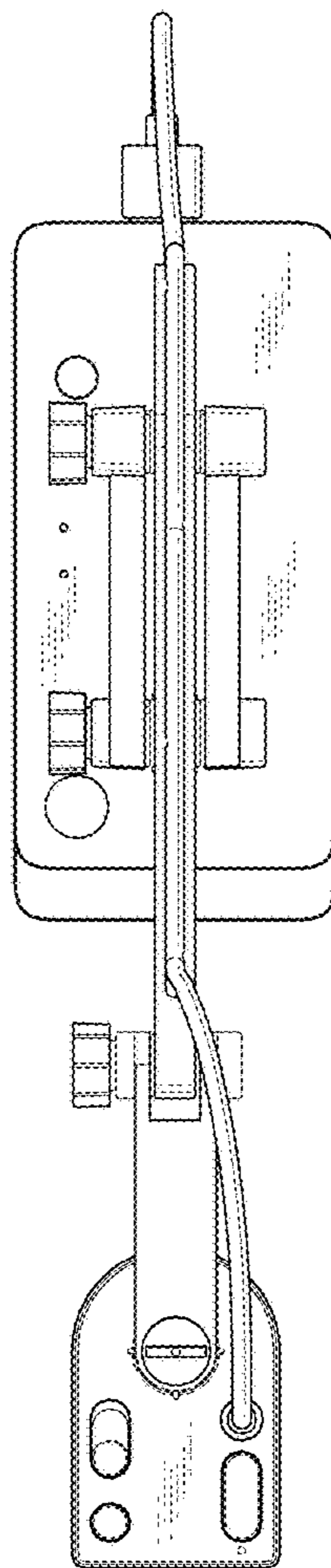


FIG. 6

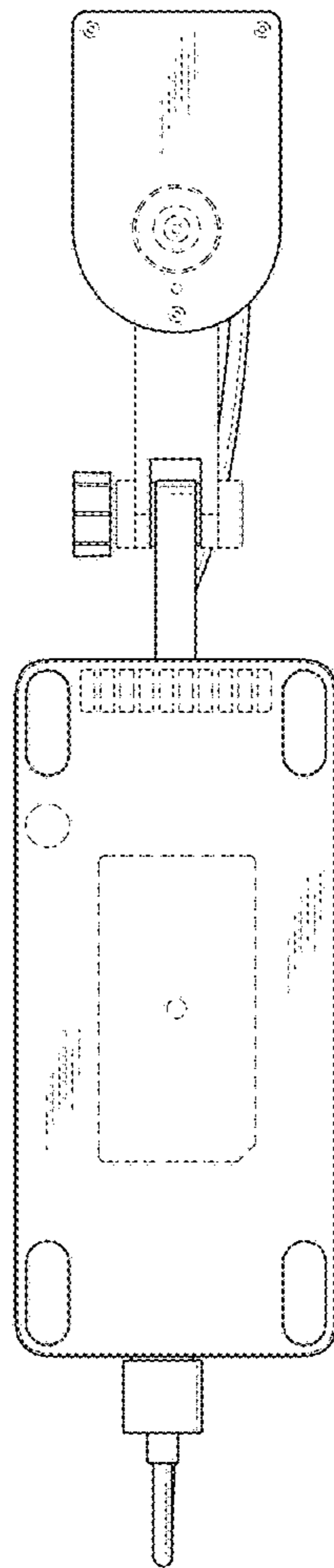


FIG. 7