



US00D854597S

(12) **United States Design Patent**  
**Gao**

(10) **Patent No.:** **US D854,597 S**

(45) **Date of Patent:** **\*\* Jul. 23, 2019**

(54) **SPORTS CAMERA**

(71) Applicant: **Shenzhen Cencom Technology Co., Ltd.**, Shenzhen, Guangdong (CN)

(72) Inventor: **Jianmin Gao**, Guangdong (CN)

(73) Assignee: **Shenzhen Cencom Technology Co., Ltd.**, Shenzhen (CN)

(\*\*) Term: **15 Years**

(21) Appl. No.: **29/636,539**

(22) Filed: **Feb. 8, 2018**

(30) **Foreign Application Priority Data**

Jan. 16, 2018 (CN) ..... 2018 3 0019545

(51) **LOC (11) Cl.** ..... **16-01**

(52) **U.S. Cl.**  
USPC ..... **D16/202**

(58) **Field of Classification Search**

USPC ..... D16/200, 202–207, 208–210, 212, 218,  
D16/219; 348/373–376; 396/448, 535,  
396/539–541

CPC ..... G03B 15/03; G03B 17/02; G03B 17/04;  
G03B 17/56; G03B 19/04; H04N 5/2251;  
H04N 5/2252; H04N 5/2253; H04N  
5/2254; H04N 2101/00

See application file for complete search history.

(56) **References Cited**

**U.S. PATENT DOCUMENTS**

D753,749 S \* 4/2016 Zhu ..... D16/202  
D755,874 S \* 5/2016 Yang ..... D16/202

D760,309 S \* 6/2016 Parfitt ..... D16/202  
D766,351 S \* 9/2016 Li ..... D16/202  
D772,966 S \* 11/2016 Song ..... D16/200  
D775,254 S \* 12/2016 Parfitt ..... D16/202  
D789,435 S \* 6/2017 Nguyen ..... D16/202  
D791,848 S \* 7/2017 Zhu ..... D16/200  
D794,696 S \* 8/2017 Nguyen ..... D16/218  
D798,929 S \* 10/2017 Zhou ..... D16/200  
D806,775 S \* 1/2018 Nguyen ..... D16/218  
D816,753 S \* 5/2018 Zhang ..... D16/202  
D825,636 S \* 8/2018 Hueber ..... D16/202  
D829,799 S \* 10/2018 Piekarski ..... D16/202  
D832,905 S \* 11/2018 Liu ..... D16/202  
D836,696 S \* 12/2018 Zhang ..... D16/202

\* cited by examiner

*Primary Examiner* — Ramzi S Almatrahi

(57) **CLAIM**

The ornamental design for a sports camera, as shown and described.

**DESCRIPTION**

FIG. 1 is a top, front and right side perspective view of a sports camera showing my new design;

FIG. 2 is a bottom, rear and left side perspective view thereof;

FIG. 3 is a front elevational view thereof;

FIG. 4 is a rear elevational view thereof;

FIG. 5 is a left side elevational view thereof;

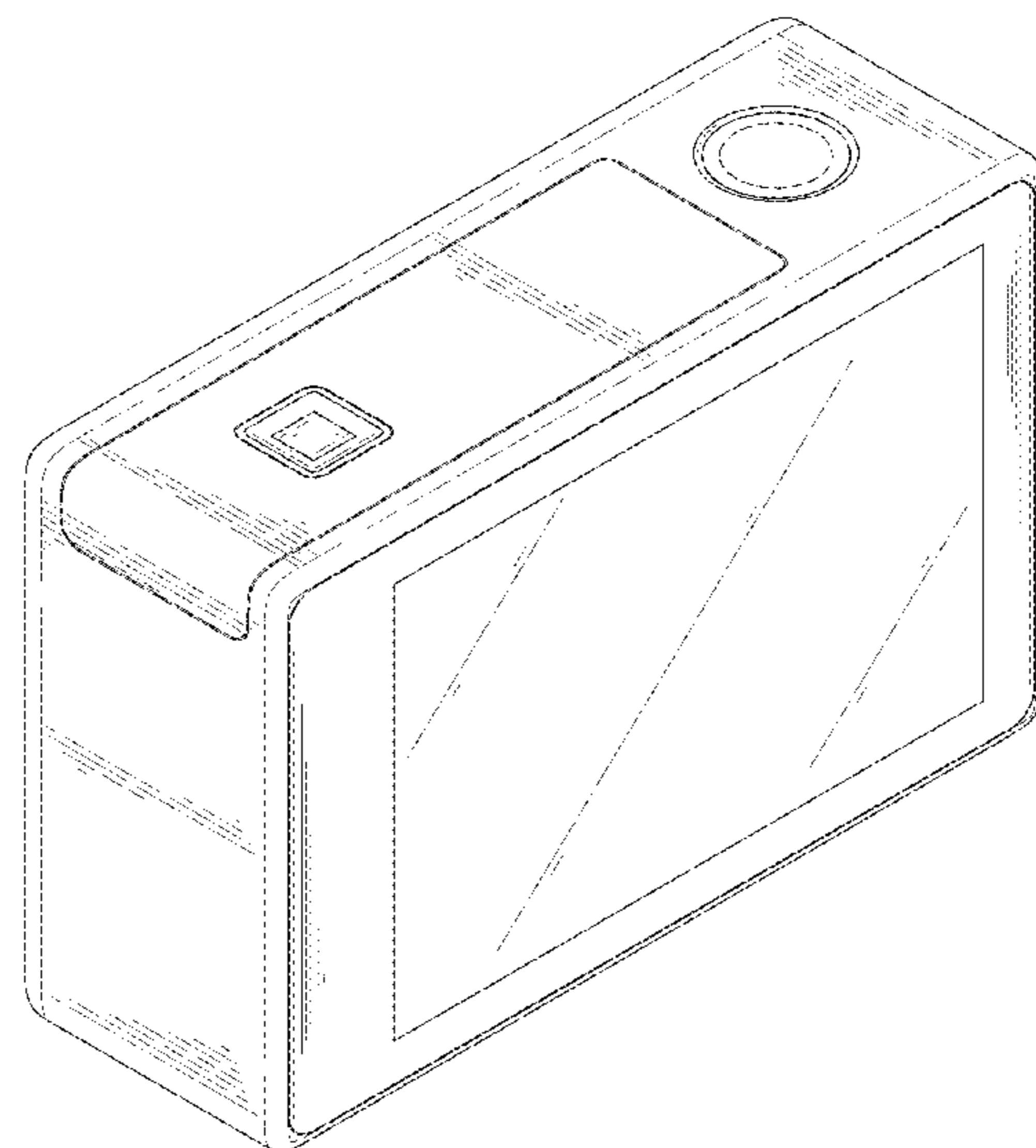
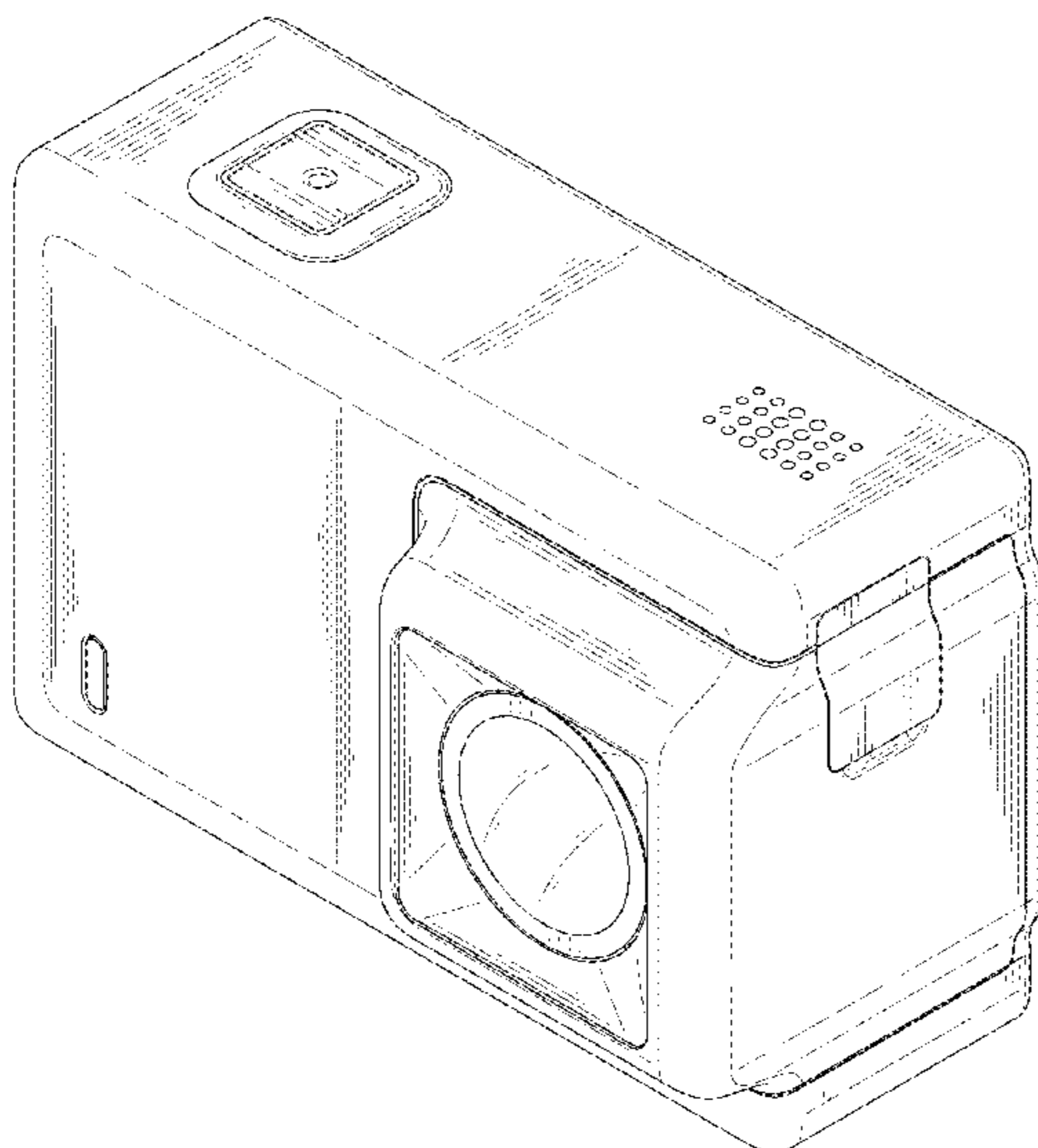
FIG. 6 is a right side elevational view thereof;

FIG. 7 is a top plan view thereof; and,

FIG. 8 is a bottom plan view thereof.

The broken lines in the drawings illustrate portions of the sports camera which form no part of the claimed design.

**1 Claim, 8 Drawing Sheets**



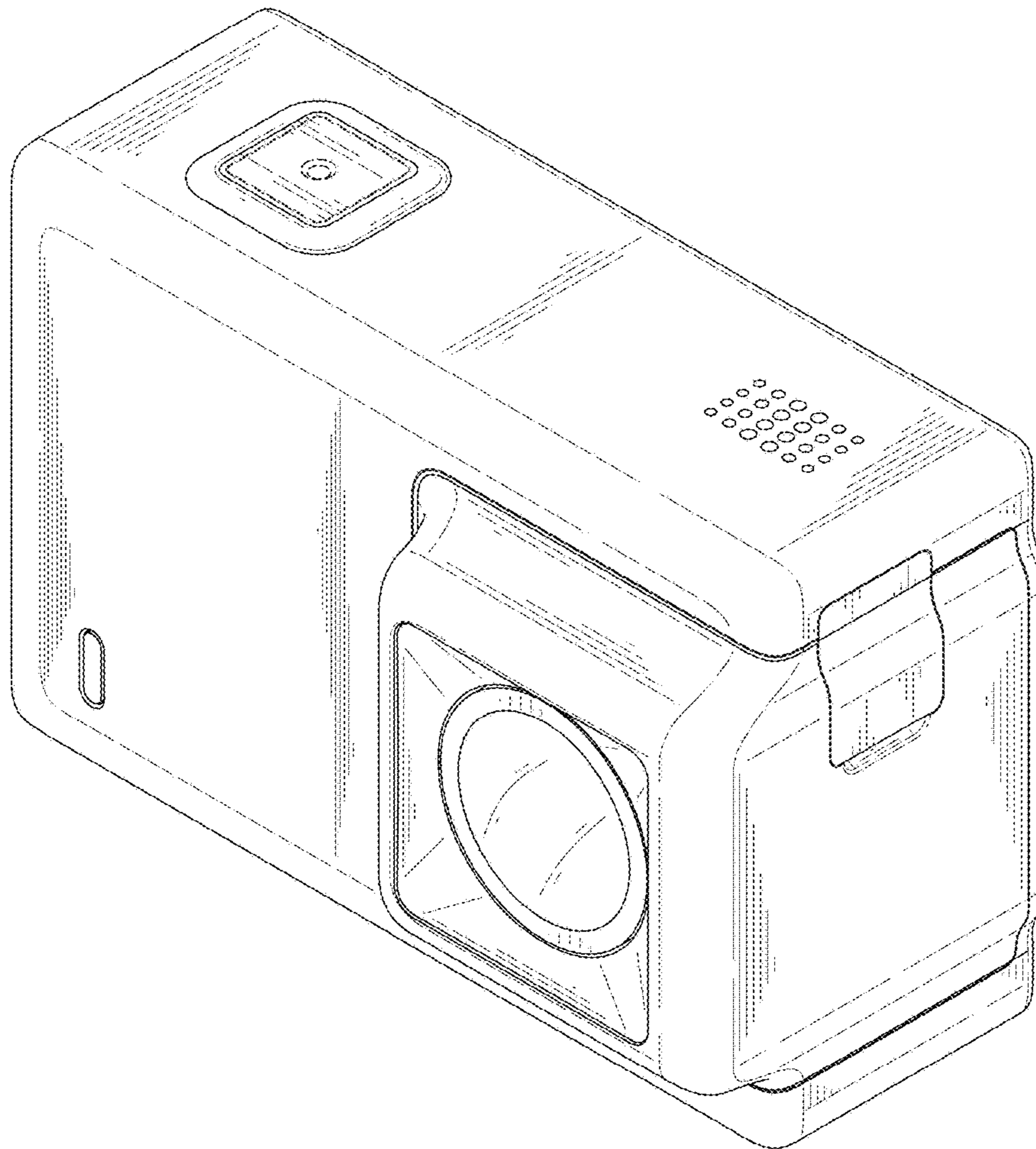


FIG. 1

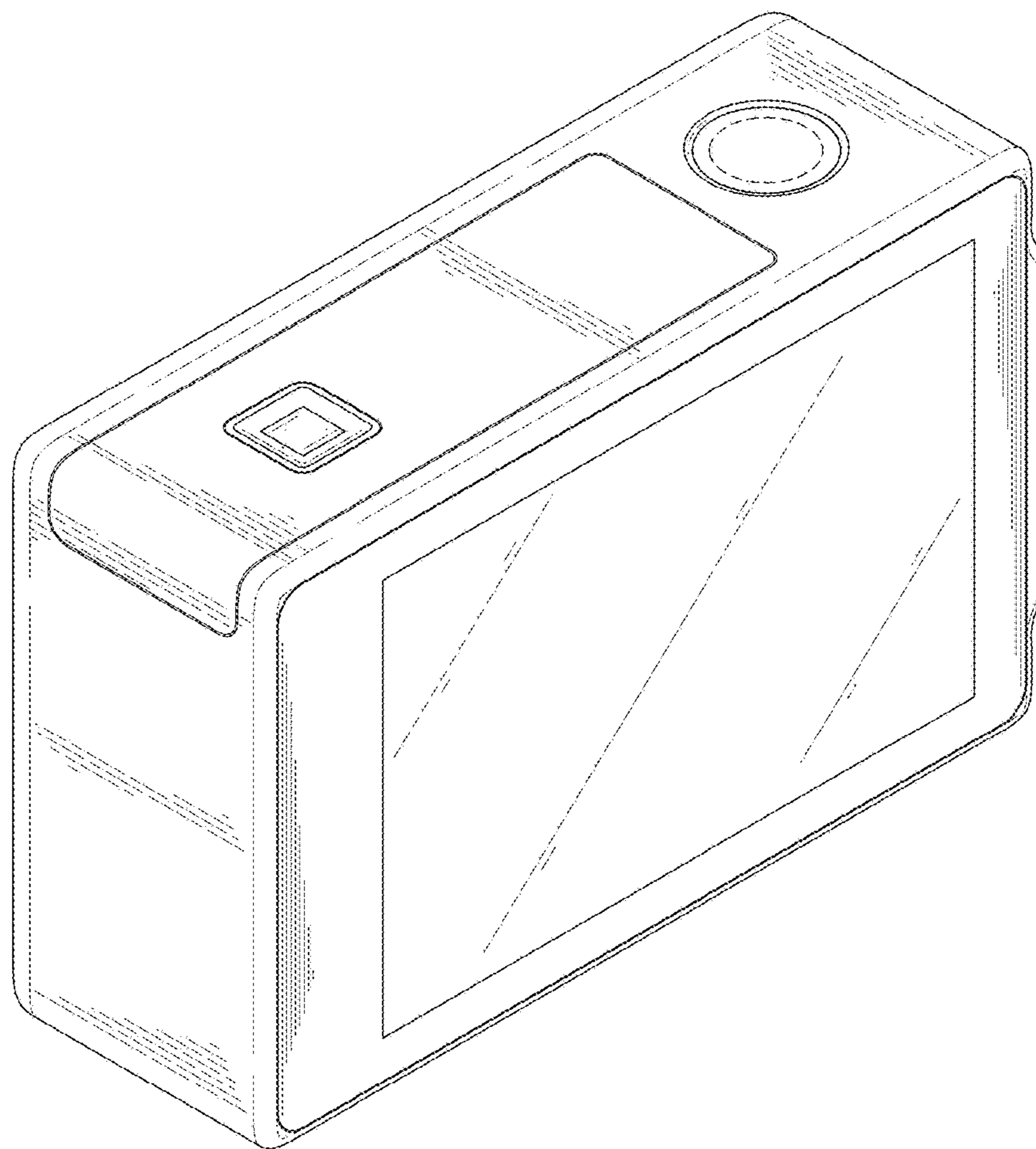


FIG. 2

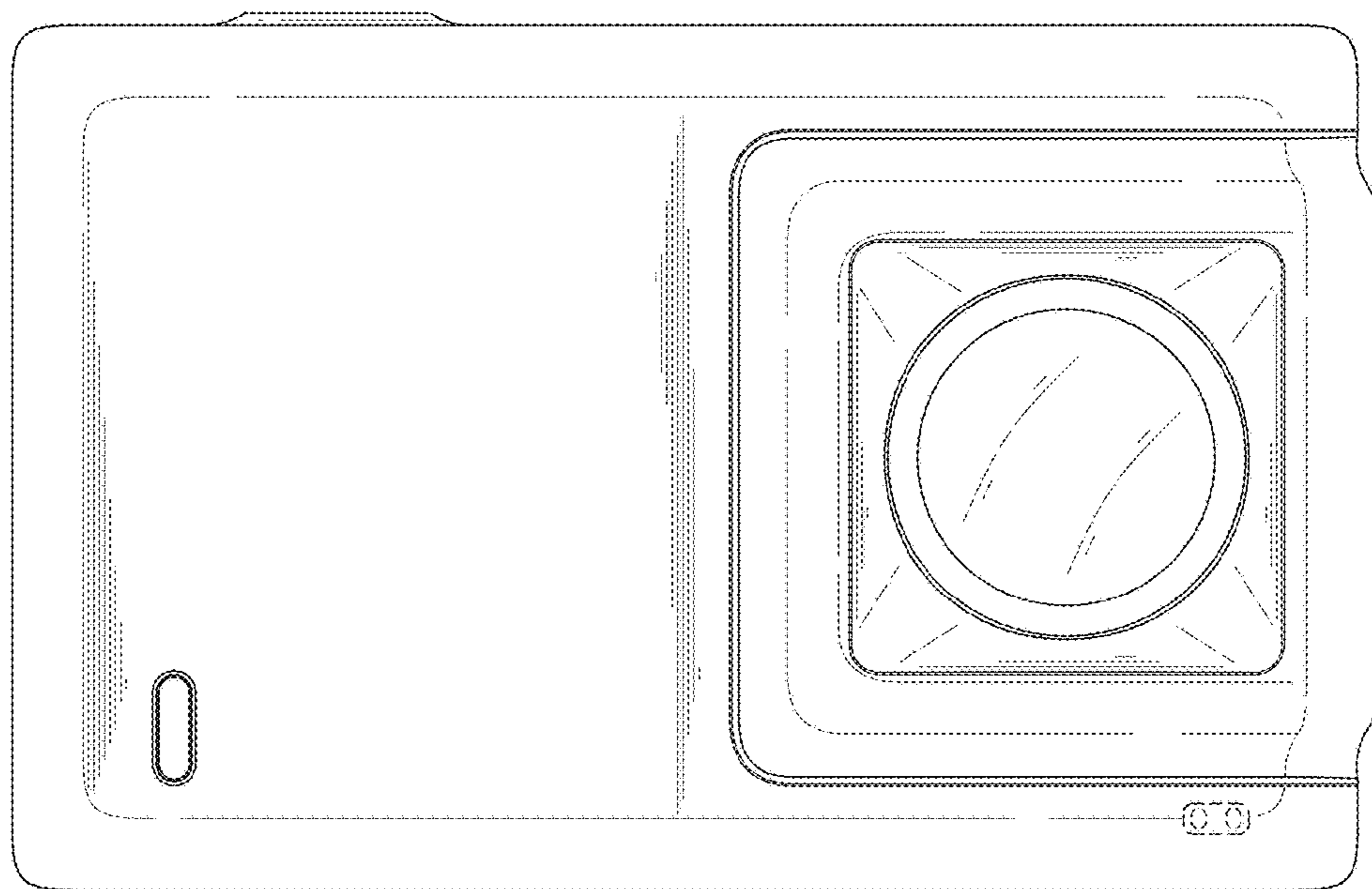


FIG. 3

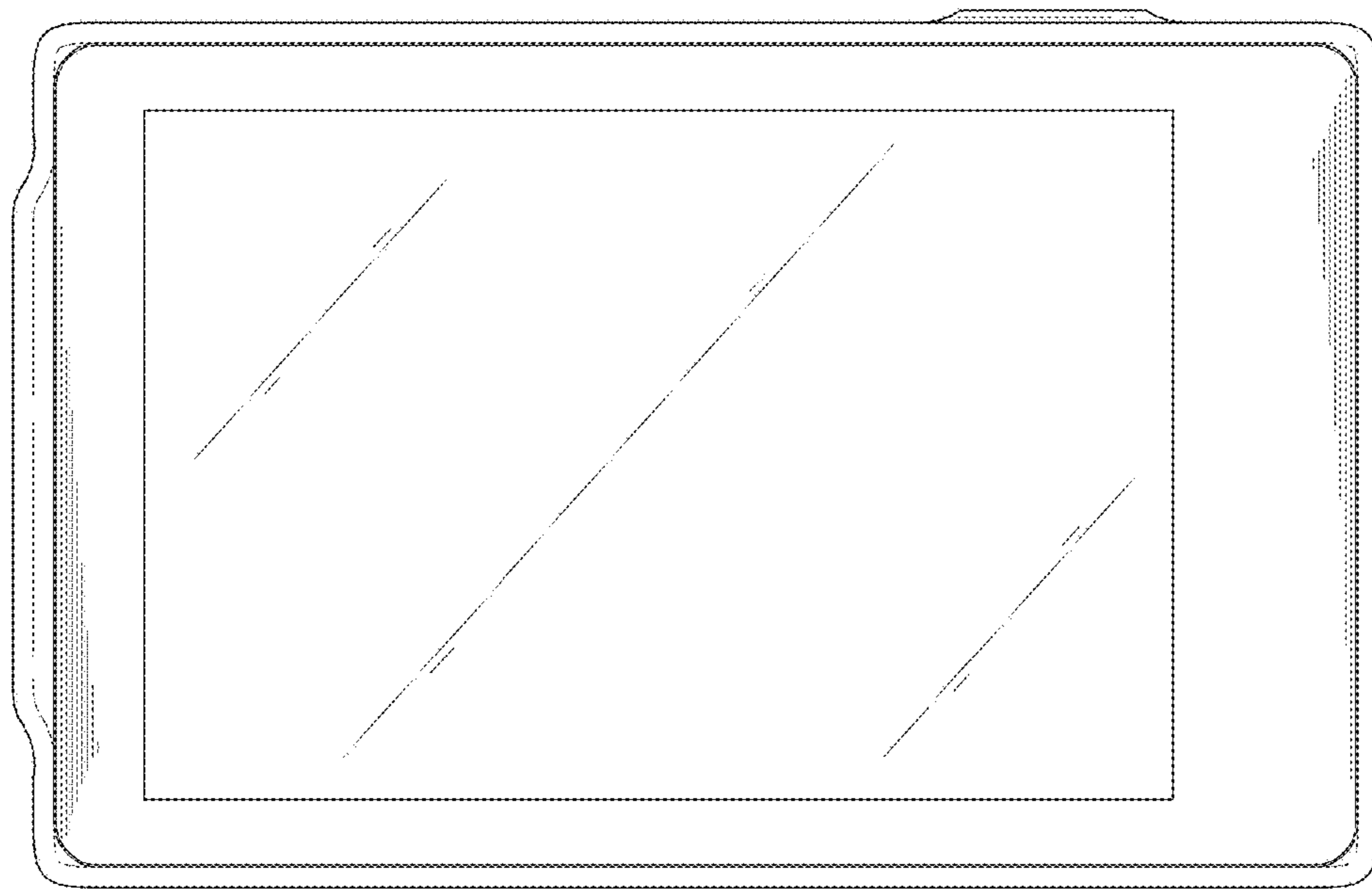


FIG. 4

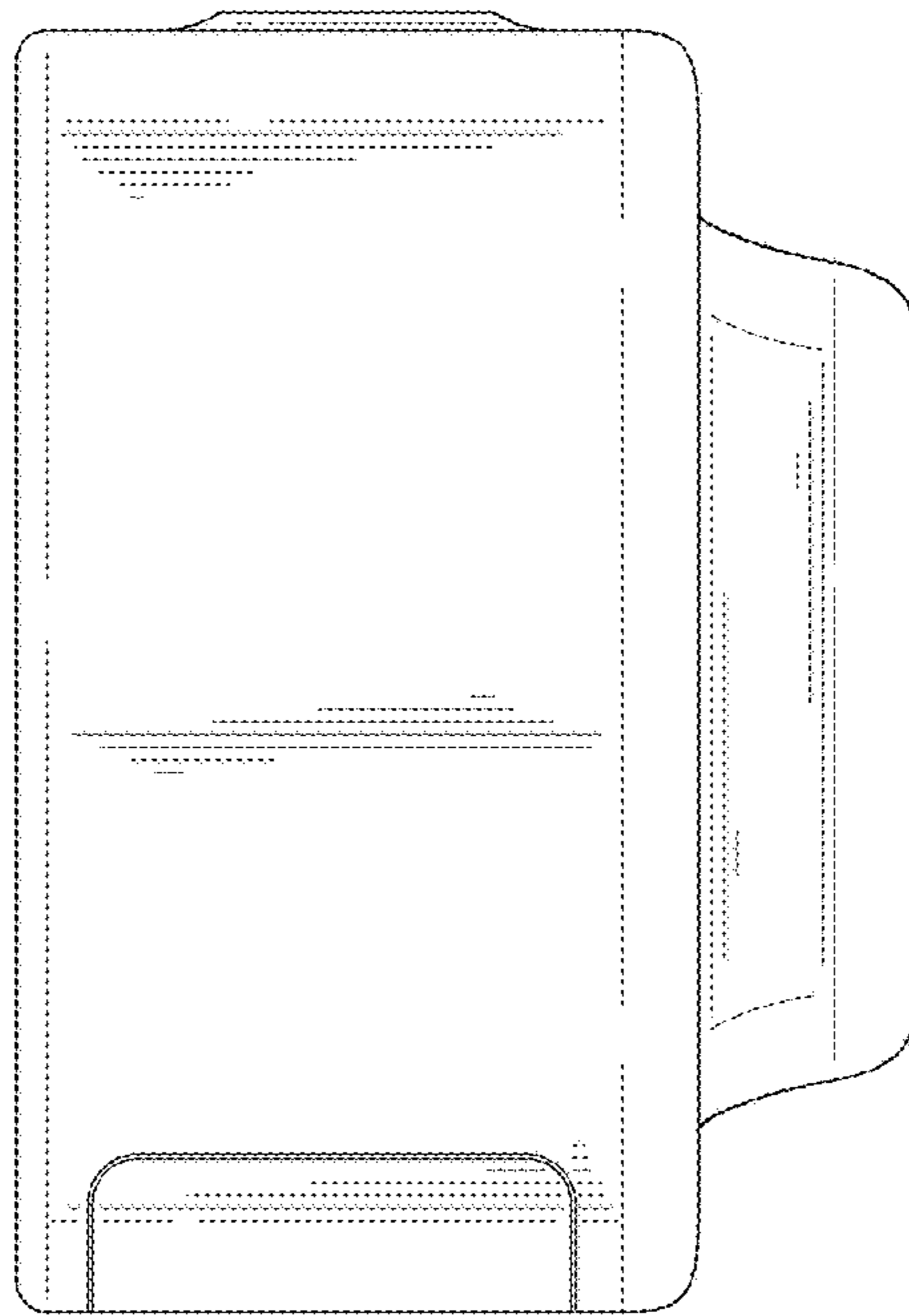


FIG. 5

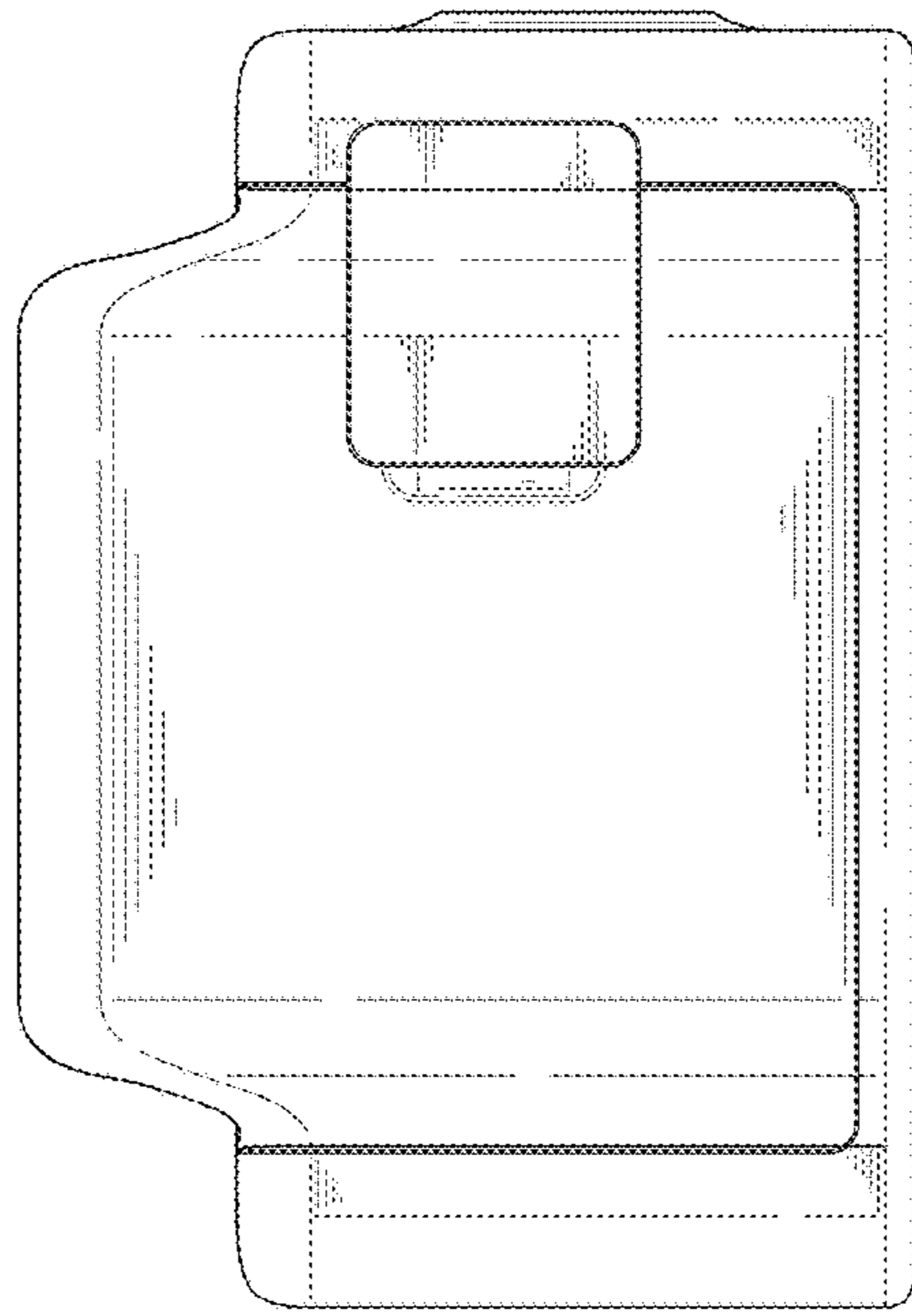


FIG. 6

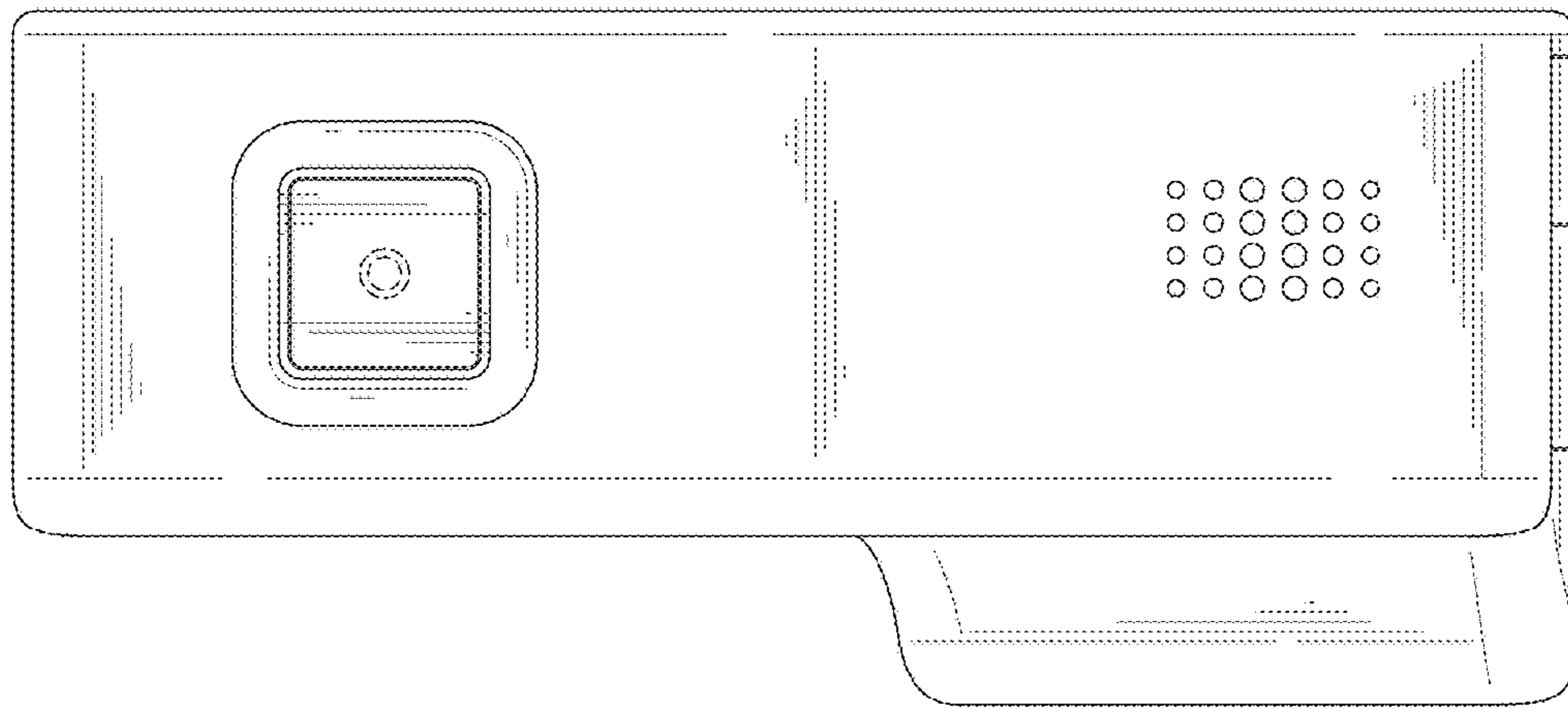


FIG. 7



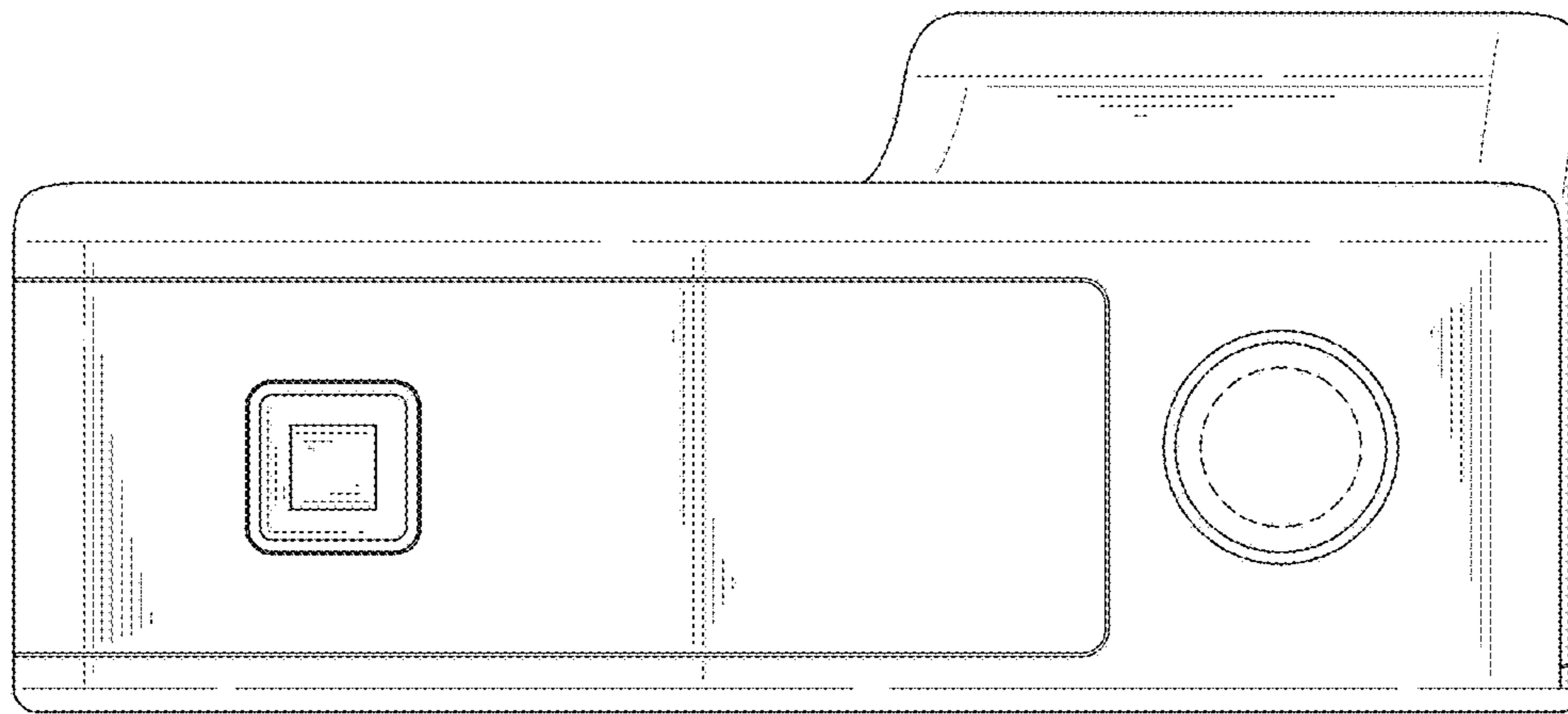


FIG. 8