



US00D854596S

(12) **United States Design Patent**
Jim

(10) **Patent No.:** **US D854,596 S**

(45) **Date of Patent:** **** Jul. 23, 2019**

(54) **MAGNIFIER**

(71) Applicant: **CONCAVEX OPTICS LTD.**, Central (HK)

(72) Inventor: **Shiu Fai Jim**, Central (HK)

(**) Term: **15 Years**

(21) Appl. No.: **29/597,893**

(22) Filed: **Mar. 21, 2017**

(30) **Foreign Application Priority Data**

Jan. 27, 2017 (EM) 003717719-0001

(51) **LOC (11) Cl.** **16-06**

(52) **U.S. Cl.**
USPC **D16/135**

(58) **Field of Classification Search**
USPC D16/134-136; D26/24, 44, 51, 56, 60,
D26/61, 63, 65, 93, 106, 107
CPC G02B 25/02; G02B 25/002; G02B 25/04
See application file for complete search history.

(56) **References Cited**

U.S. PATENT DOCUMENTS

D161,173 S *	12/1950	Gubics	D16/135
D178,766 S *	9/1956	Cressaty	D16/135
D196,452 S *	10/1963	Burlin	D16/135
D236,028 S *	7/1975	Schroeder	D16/135
D269,184 S *	5/1983	Tweedie	D16/135
D367,487 S *	2/1996	Segan	D16/135
D512,835 S *	12/2005	Hunter, Jr.	D3/249
D553,273 S *	10/2007	Jim	D26/37
D589,546 S *	3/2009	Levine	D16/135

(Continued)

FOREIGN PATENT DOCUMENTS

CN	201030669687	*	12/2010
WO	2011-04-18	*	1/2011

OTHER PUBLICATIONS

Pocket 10x Sliding Cover Magnifier With Glass Lens. Online, published date unknown. Retrieved on Feb. 26, 2018 from URL: <https://www.ebay.com/p/Pocket-10x-Sliding-Cover-Magnifier-With-Glass-Lens/5011378093?iid=232097412738>.*

(Continued)

Primary Examiner — Susan Bennett Hattan

Assistant Examiner — Omeed Agilee

(74) *Attorney, Agent, or Firm* — Nyemaster Goode P.C.

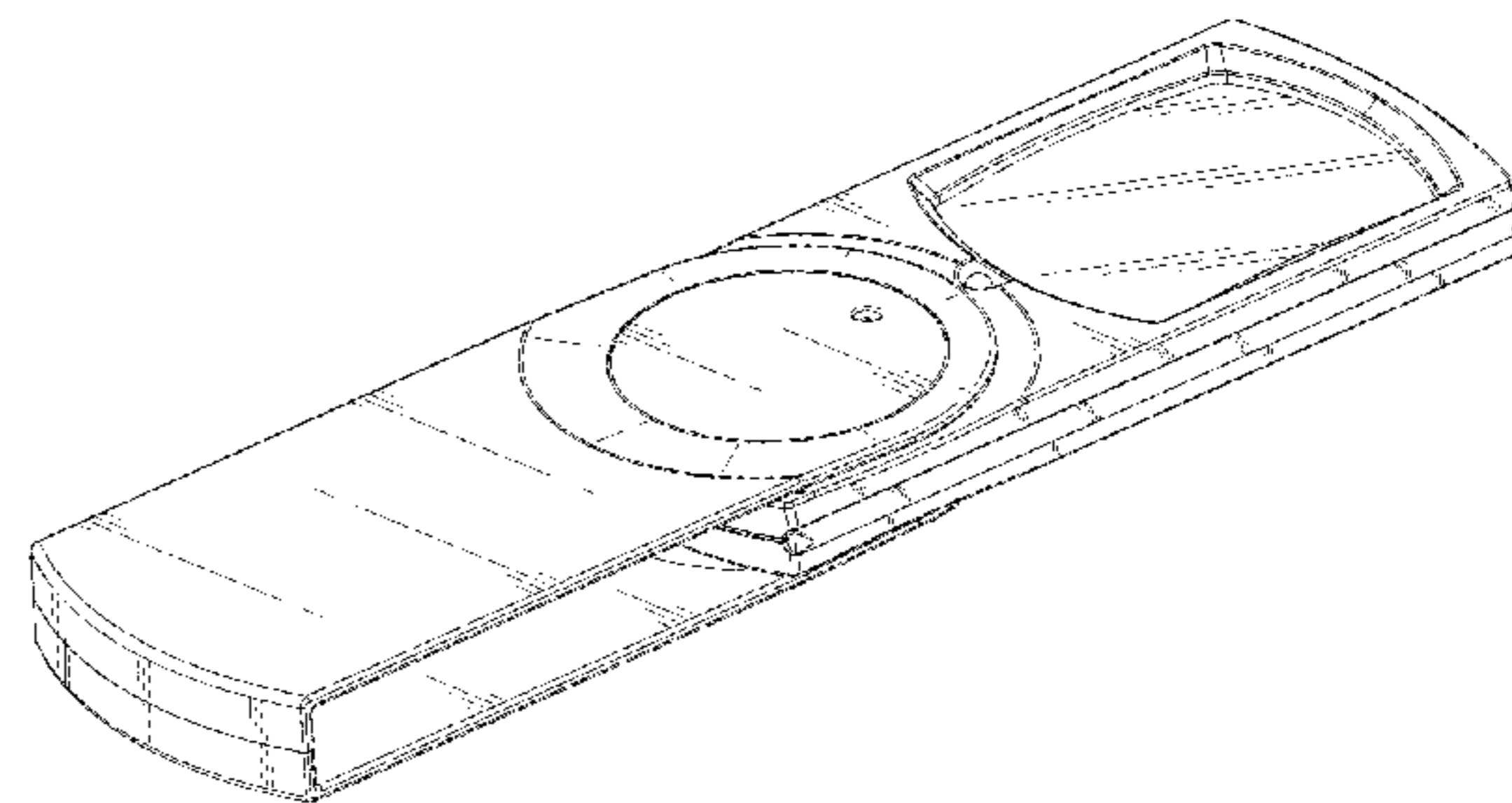
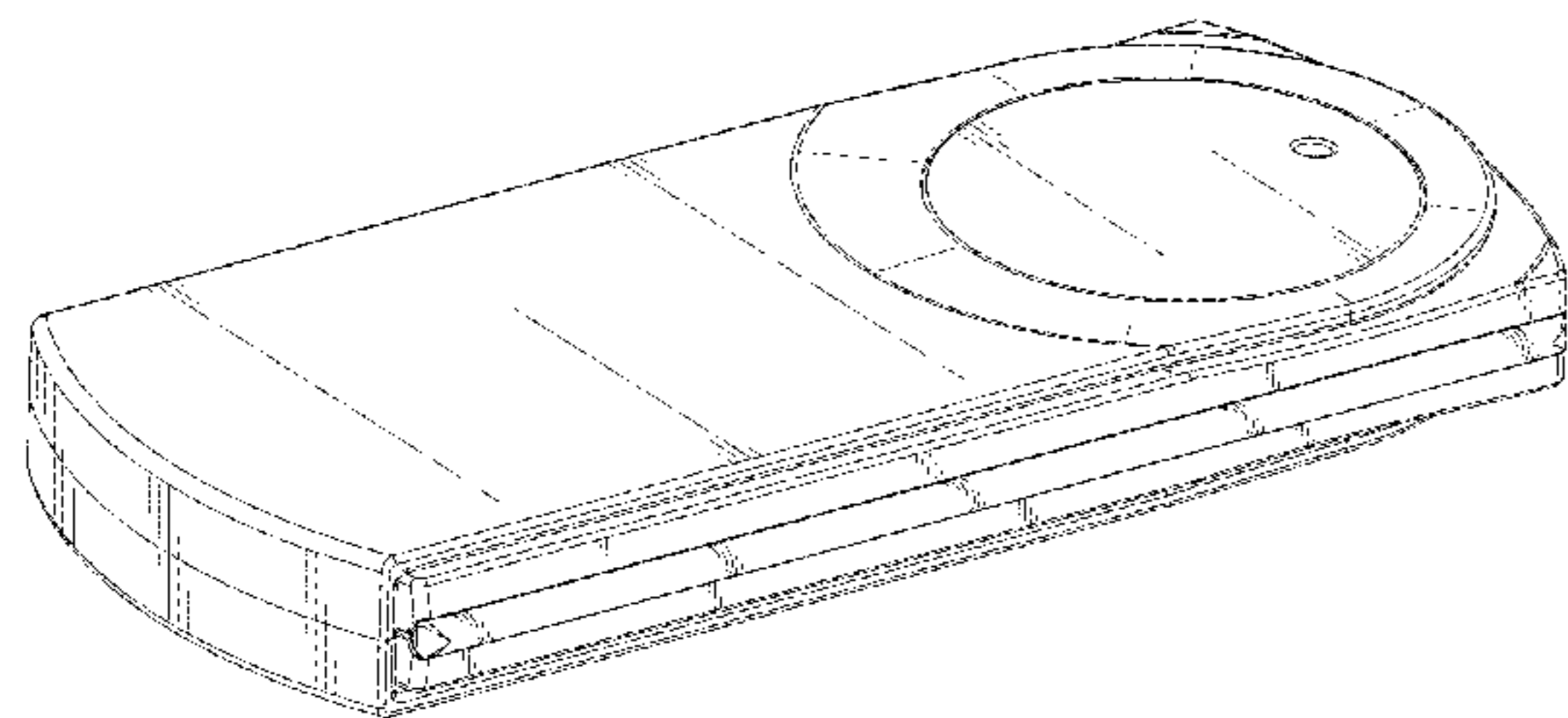
(57) **CLAIM**

The ornamental design for a magnifier, as shown and described.

DESCRIPTION

FIG. 1 is a top rear perspective view of a magnifier in a closed configuration, showing my new design; FIG. 2 is a bottom front perspective view thereof; FIG. 3 is a top view thereof; FIG. 4 is a bottom view thereof; FIG. 5 is a right side view thereof; FIG. 6 is a left side view thereof; FIG. 7 is a rear view thereof; FIG. 8 is a front view thereof; FIG. 9 is a bottom front perspective view of a magnifier in an open configuration; FIG. 10 is a top rear perspective view thereof; FIG. 11 is a top view of the magnifier in open position; FIG. 12 is a bottom view of the magnifier in open position; FIG. 13 is a right side view of the magnifier in open position; FIG. 14 is a left side view of the magnifier in open position; FIG. 15 is a rear view of the magnifier in open position; and, FIG. 16 is a front view of the magnifier in open position. The broken lines in the drawings depict portions of the magnifier that form no part of the claimed design.

1 Claim, 16 Drawing Sheets



(56)

References Cited

U.S. PATENT DOCUMENTS

D594,496 S *	6/2009	Jim	D16/135
D639,465 S *	6/2011	Abernethy	D26/24
D658,698 S *	5/2012	Jim	D16/135
D663,339 S *	7/2012	Farenski	D16/135
D663,340 S *	7/2012	Farenski	D16/135
D665,438 S *	8/2012	Jim	D16/135
D695,731 S *	12/2013	Adami	D14/250
D709,937 S *	7/2014	Goldenberg	D16/135
D752,124 S *	3/2016	Jim	D16/135
D781,947 S *	3/2017	Huang	D16/135

OTHER PUBLICATIONS

Foldable LED Magnifier. Online, published date unknown. Retrieved on Feb. 26, 2018 from URL: <http://www.concavex.com.hk/eng/itemdetails.asp?rec=0&NewItem=&ItemClass1=Lighted+Magnifiers&ItemClass2=%2D&ItemClass3=%2D&ItemClass4=%2D&viewresult=&viewresult2=&type=&searchword=>.*

* cited by examiner

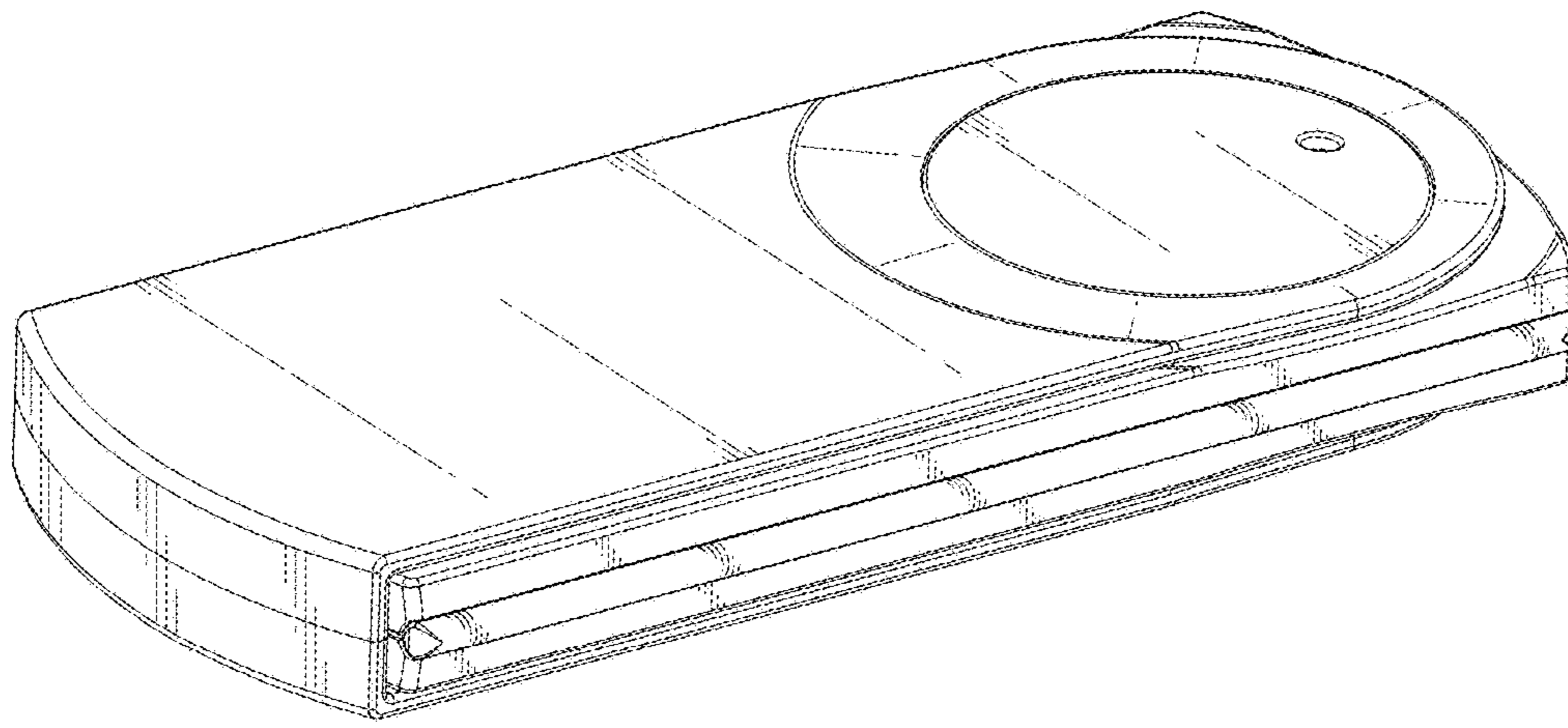


Fig.1

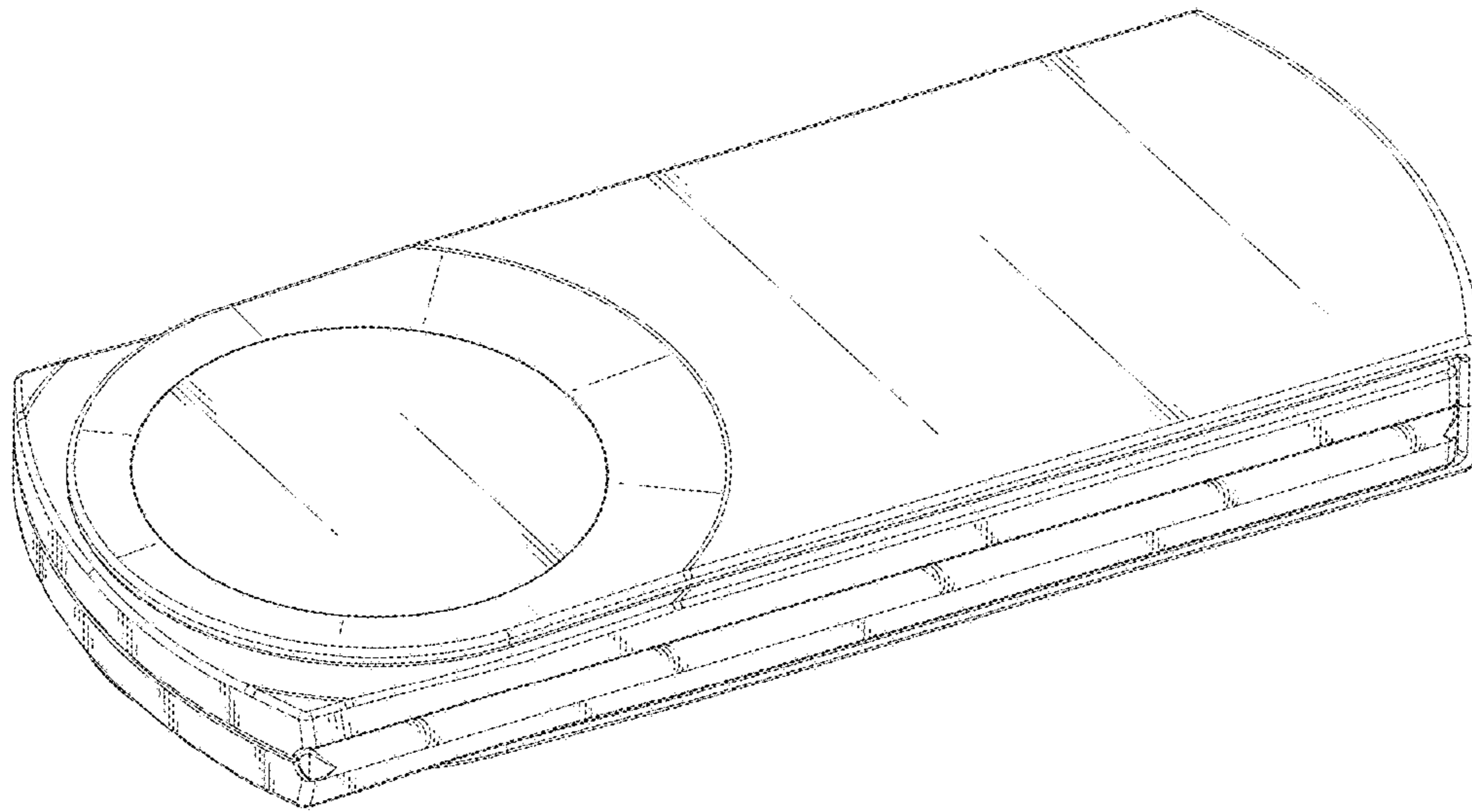


Fig.2

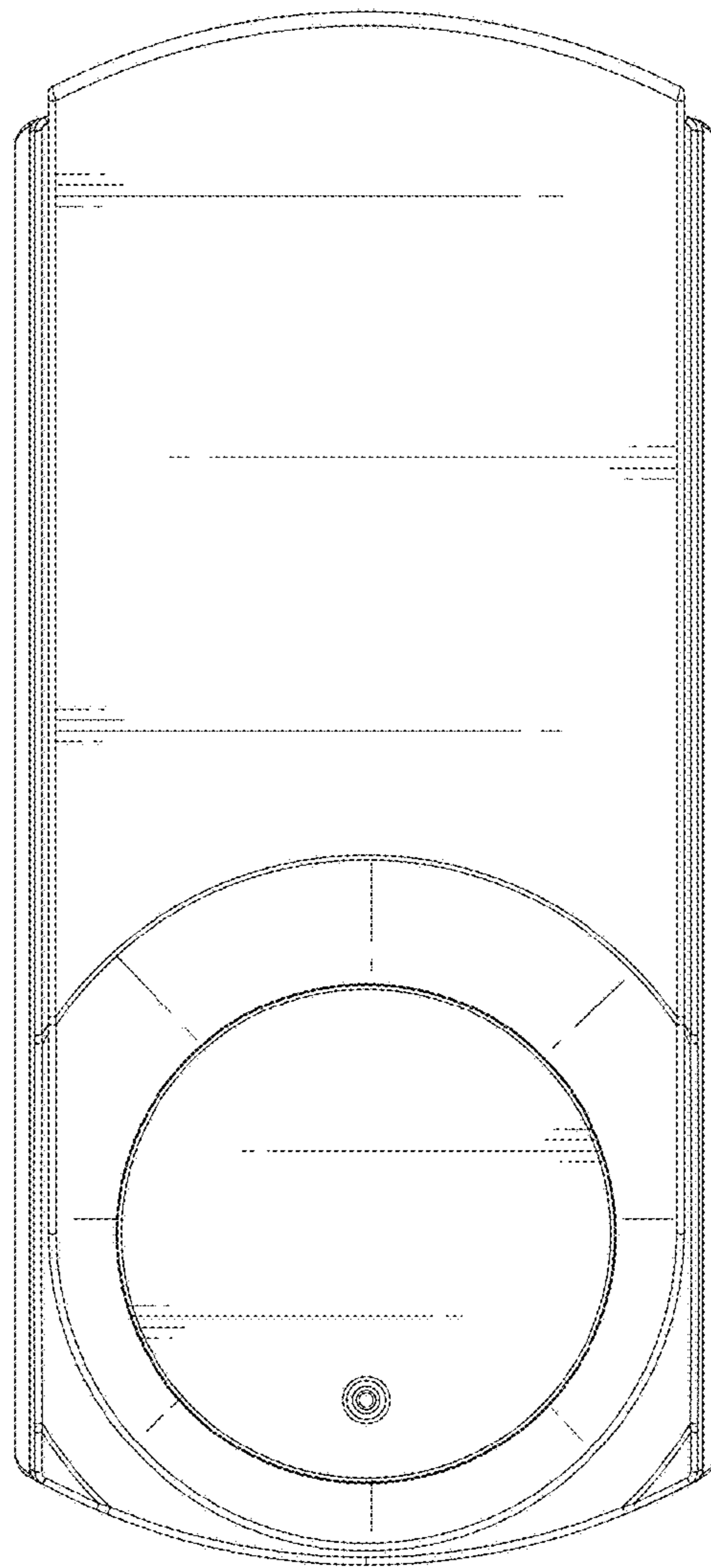


Fig.3

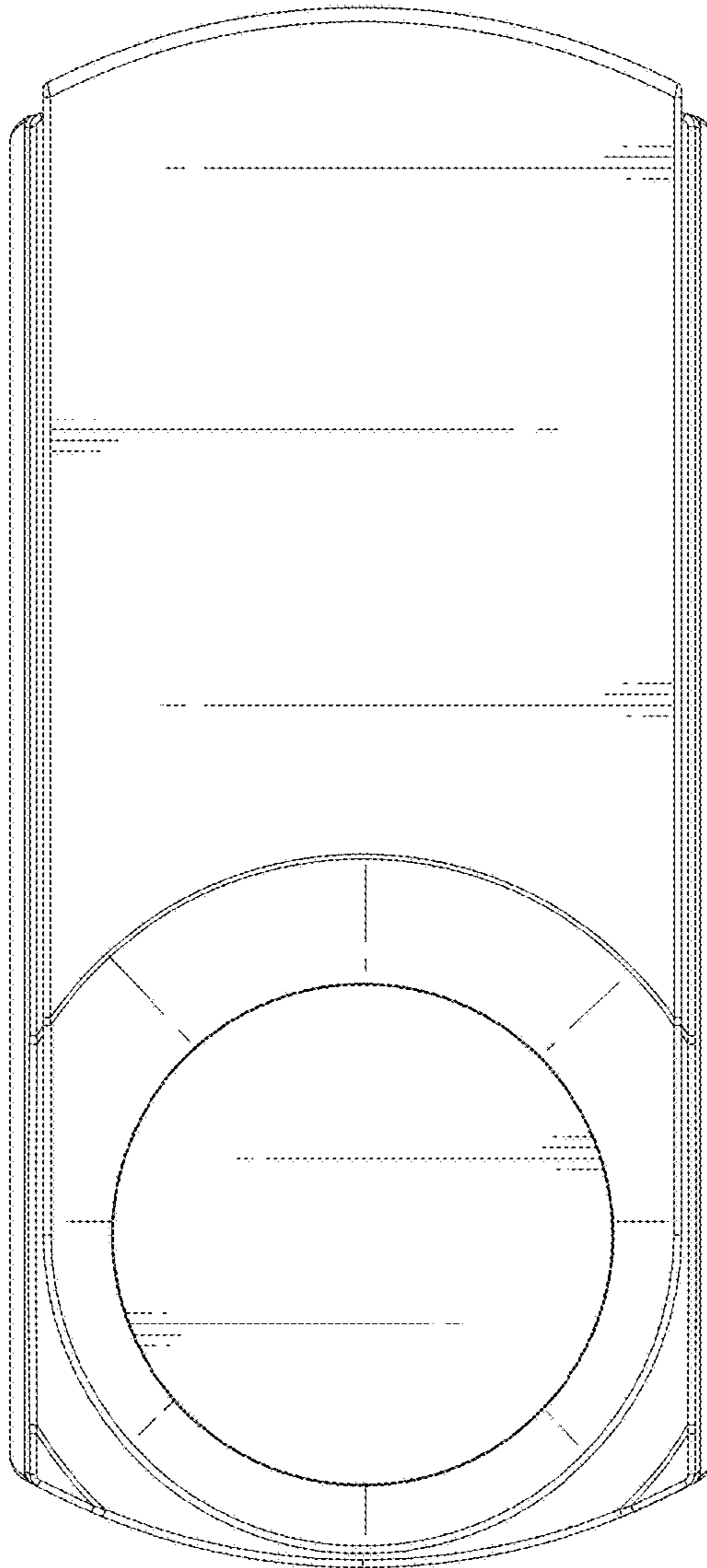


Fig.4

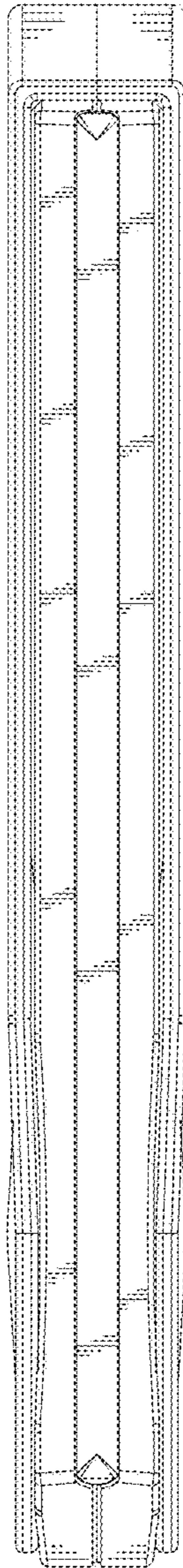


Fig.5

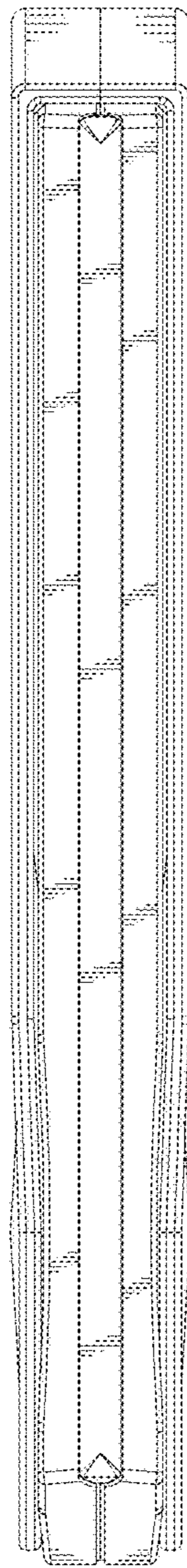


Fig.6

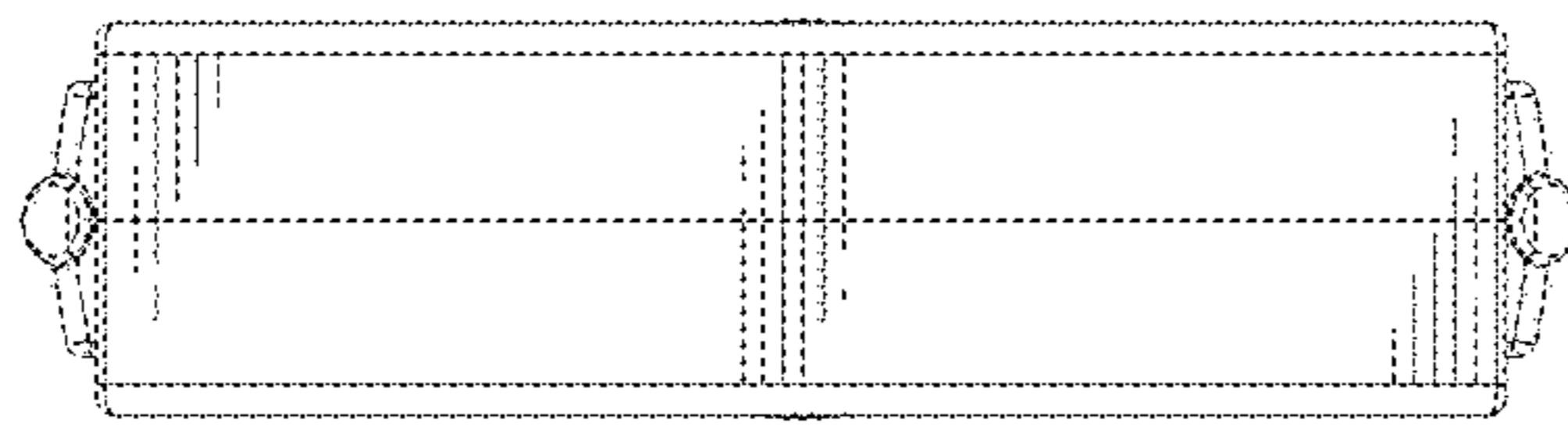


Fig.7

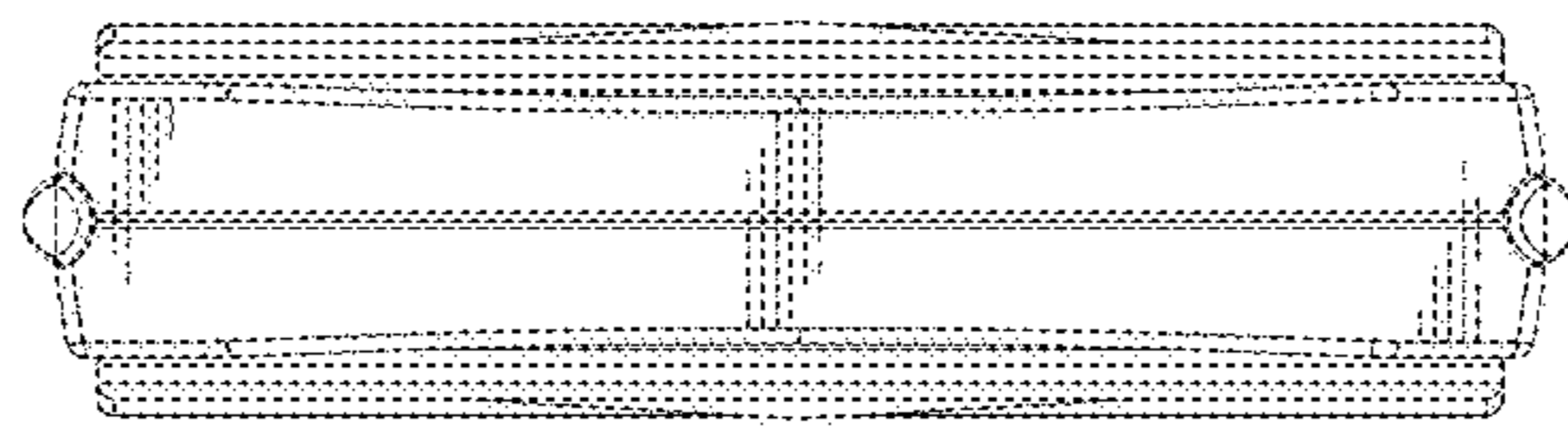


Fig.8

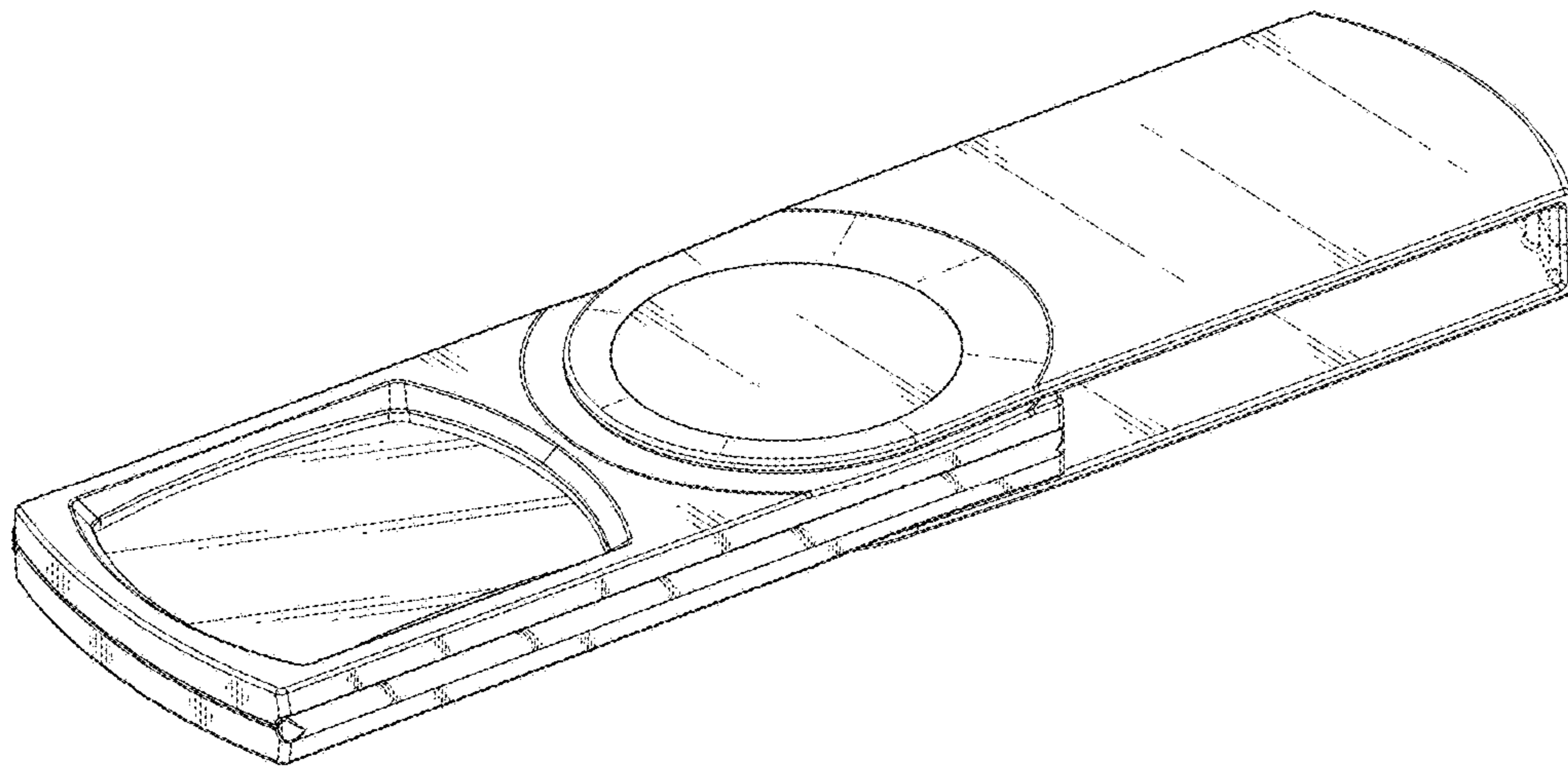


Fig.9

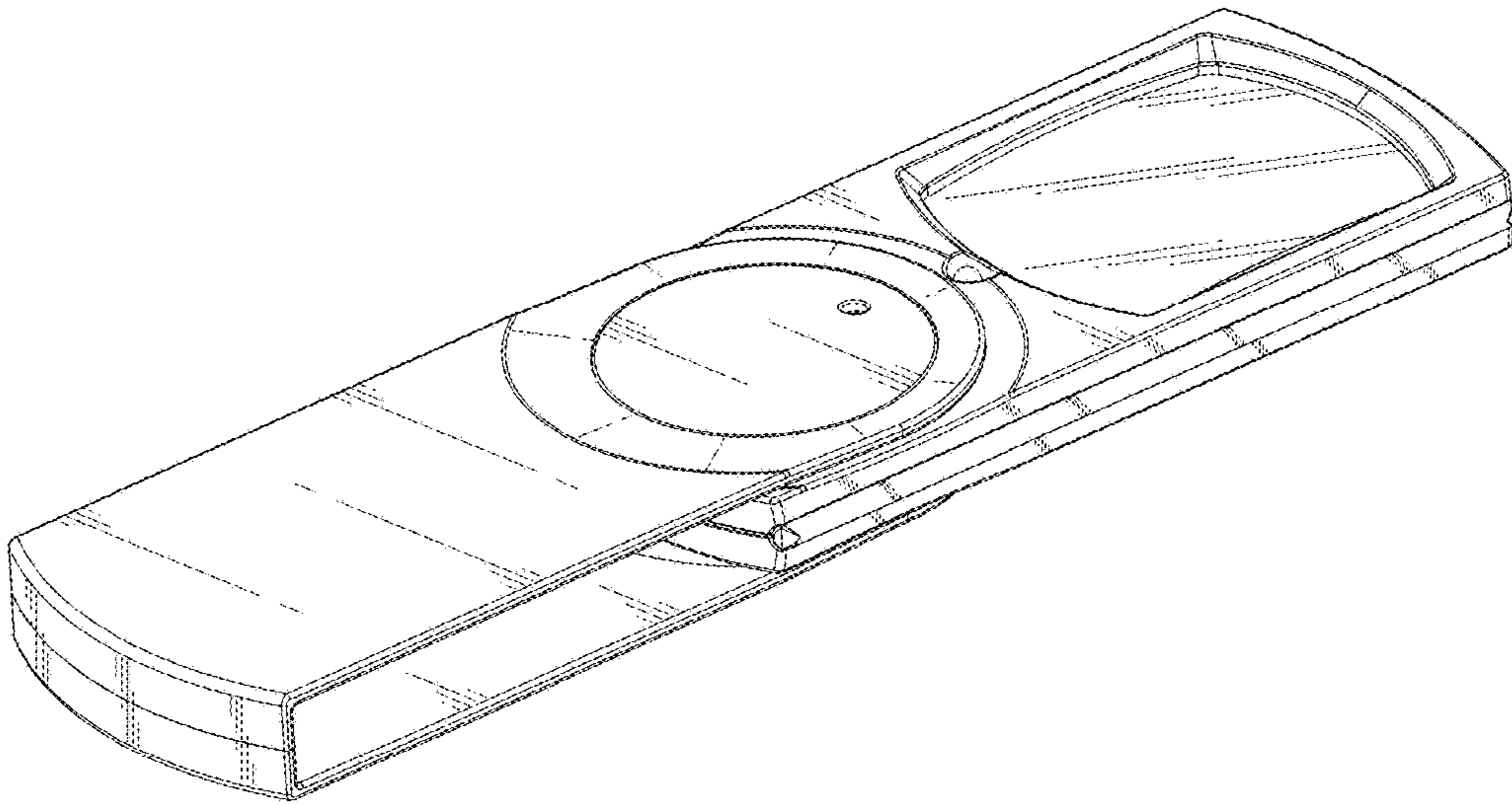


Fig.10

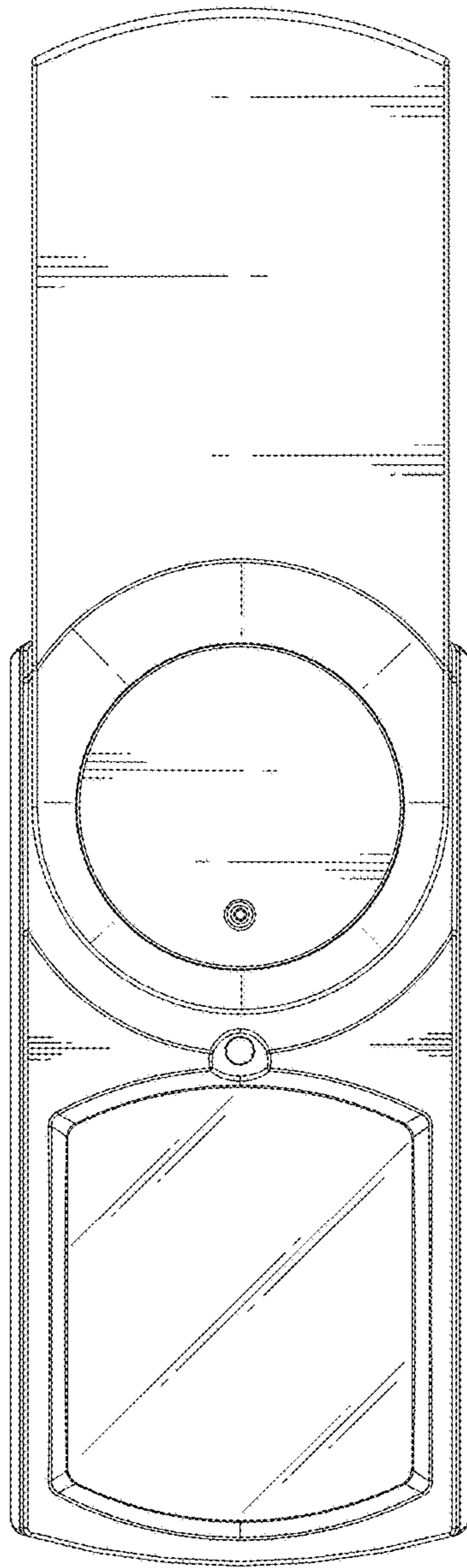


Fig.11

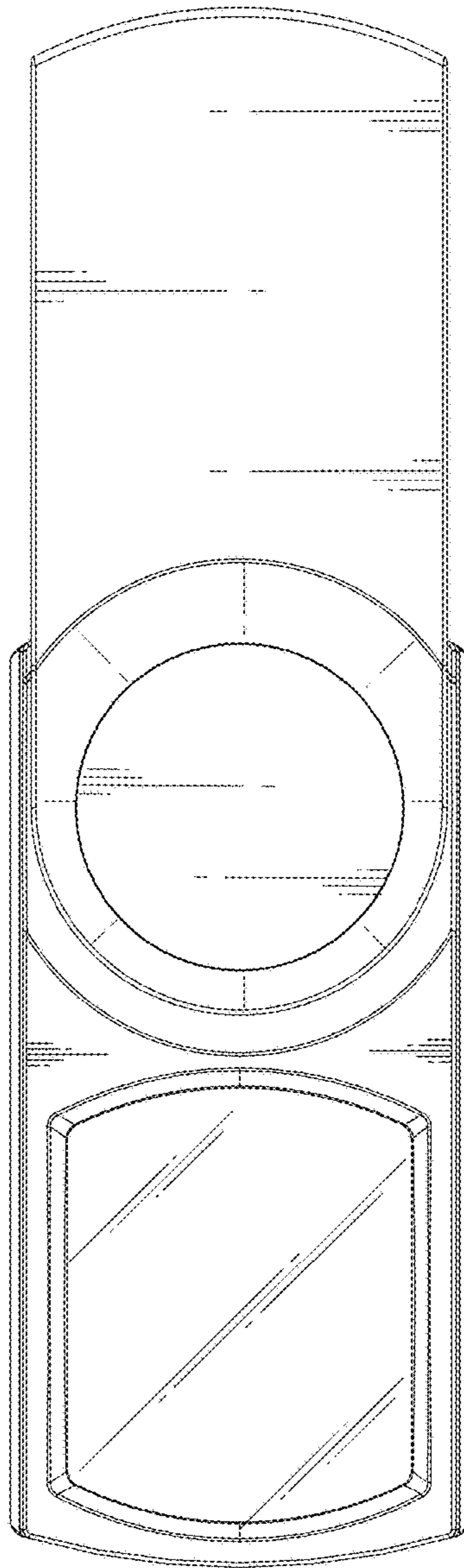


Fig.12

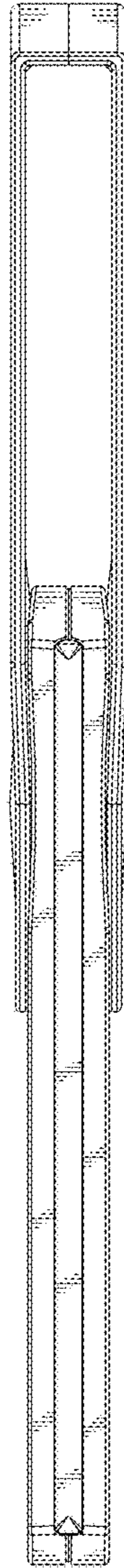


Fig.13

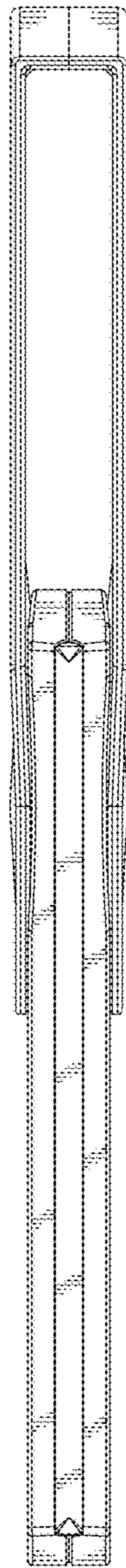


Fig.14

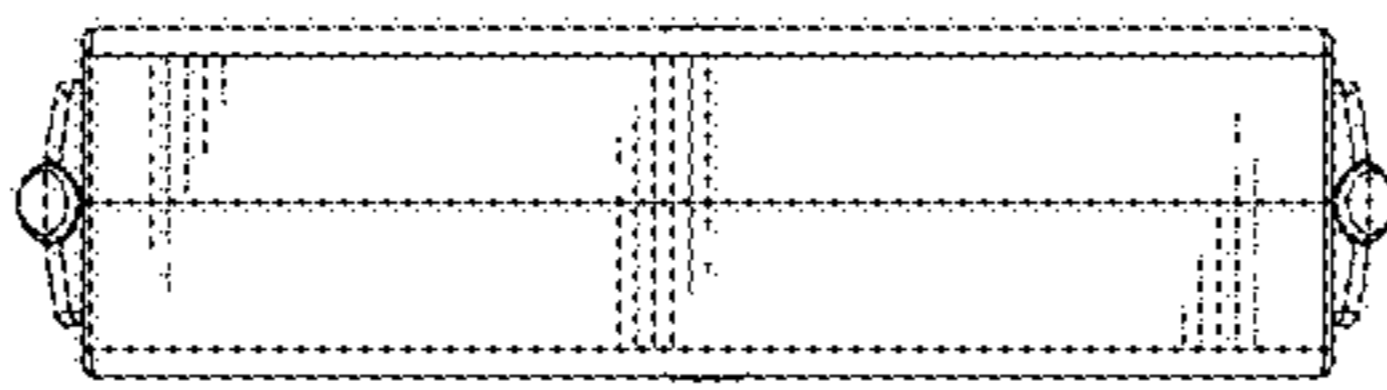


Fig.15

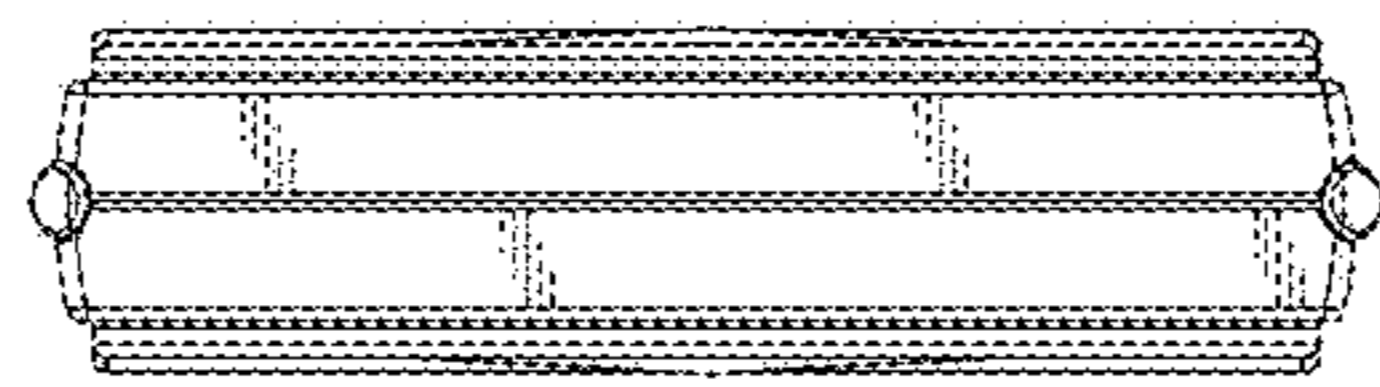


Fig.16