



US00D854594S

(12) **United States Design Patent** (10) **Patent No.:** **US D854,594 S**
Carey et al. (45) **Date of Patent:** **** Jul. 23, 2019**

- (54) **VACUUM SEALER**
- (71) Applicant: **THE METAL WARE CORPORATION**, Two Rivers, WI (US)
- (72) Inventors: **Richard Carey**, Manitowoc, WI (US); **Ross Niemi**, Two Rivers, WI (US)
- (73) Assignee: **THE METAL WARE CORPORATION**, Two Rivers, WI (US)
- (**) Term: **15 Years**
- (21) Appl. No.: **29/621,947**
- (22) Filed: **Oct. 12, 2017**

- 7,021,034 B2 4/2006 Higer et al.
- 7,076,929 B2 7/2006 Patterson et al.
- 7,124,557 B2 10/2006 Small
- 7,131,250 B2 11/2006 Kahn et al.
- 7,146,783 B2 12/2006 Levsen et al.
- 7,204,067 B2 4/2007 Baptista
- 7,231,753 B2 6/2007 Patterson et al.
- 7,310,924 B2 12/2007 Small
- 7,334,386 B2 2/2008 Higer
- 7,392,641 B2 7/2008 Abate
- 7,401,452 B2 7/2008 Kahn et al.
- 7,454,884 B2 11/2008 Kahn et al.
- 7,484,346 B2 2/2009 Baptista

(Continued)

Primary Examiner — Patricia A Palasik
 (74) *Attorney, Agent, or Firm* — Seager, Tufte & Wickhem LLP

Related U.S. Application Data

- (63) Continuation-in-part of application No. 29/621,807, filed on Oct. 11, 2017, now abandoned.
- (51) **LOC (11) Cl.** **15-09**
- (52) **U.S. Cl.**
USPC **D15/146**
- (58) **Field of Classification Search**
USPC D7/609; D15/145, 146; D18/50
CPC B65B 31/024; B65B 31/046; B65B 31/047
See application file for complete search history.

References Cited

U.S. PATENT DOCUMENTS

- 5,048,269 A * 9/1991 Deni B29C 66/43121
53/374.9
- D342,532 S * 12/1993 Deni D15/146
- 7,003,928 B2 * 2/2006 Patterson B65B 31/046
53/405
- 7,021,027 B2 4/2006 Higer

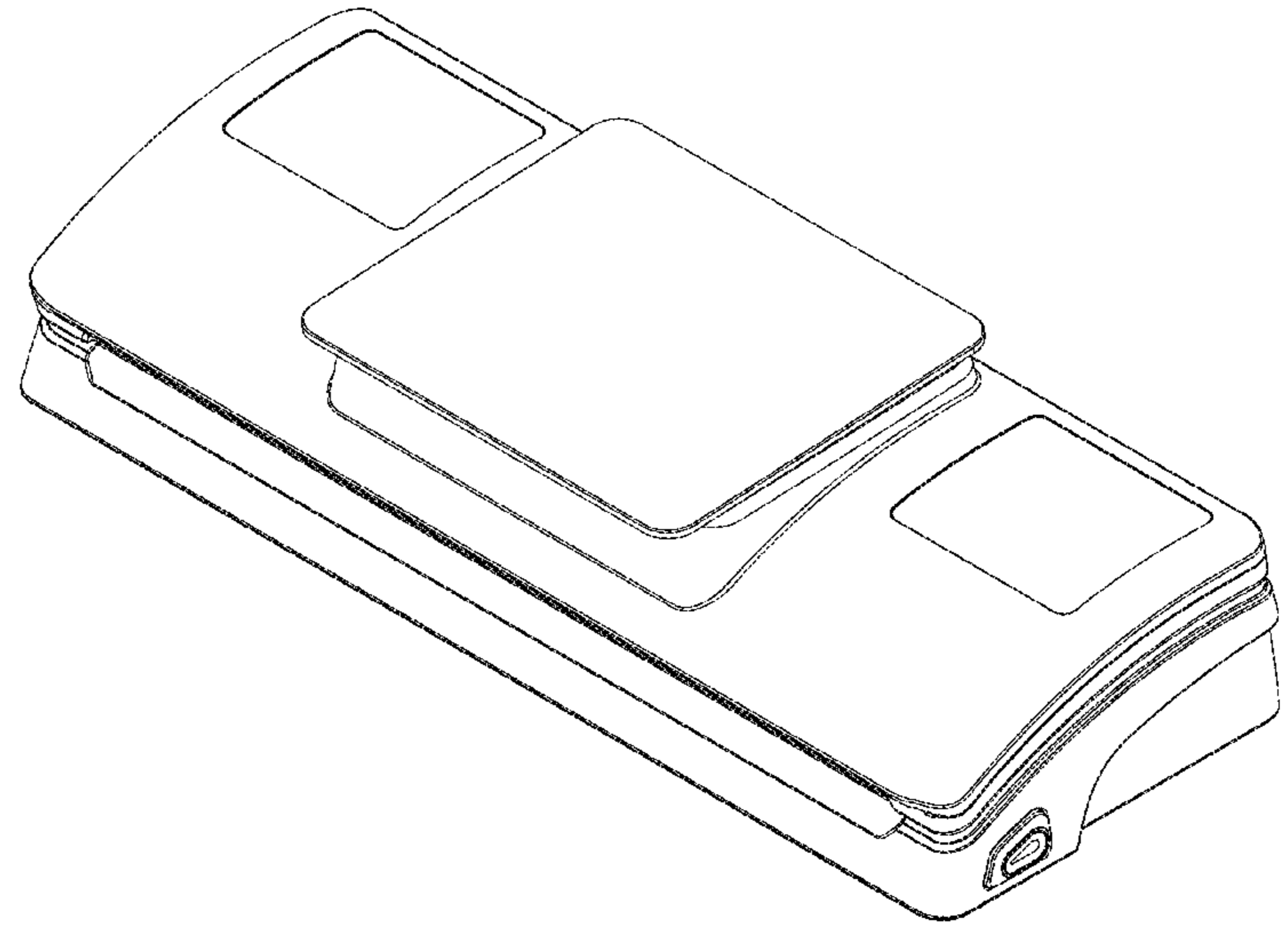
(57) **CLAIM**

The ornamental design for a vacuum sealer, as shown and described.

DESCRIPTION

FIG. 1 is a top perspective view of an embodiment of a vacuum sealer;
 FIG. 2 is a front side view of the vacuum sealer of FIG. 1;
 FIG. 3 is a back side view of the vacuum sealer of FIG. 1;
 FIG. 4 is a left side view of the vacuum sealer of FIG. 1;
 FIG. 5 is a right side view of the vacuum sealer of FIG. 1;
 FIG. 6 is a top side view of the vacuum sealer of FIG. 1;
 FIG. 7 is a bottom side view of the vacuum sealer of FIG. 1;
 FIG. 8 is front side view of the vacuum sealer of FIG. 1, where the vacuum sealer is tilted backward such that a scale plate of the vacuum sealer is horizontal; and,
 FIG. 9 is a back side view of the vacuum sealer of FIG. 1, where the vacuum sealer is tilted backward such that a scale plate of the vacuum sealer is horizontal.

1 Claim, 9 Drawing Sheets



(56)

References Cited

U.S. PATENT DOCUMENTS

8,528,349	B2	9/2013	Allard et al.	
9,021,771	B2	5/2015	Liu et al.	
D763,334	S *	8/2016	Yoshitomi	D15/146
9,422,073	B2	8/2016	Picozza et al.	
D773,543	S *	12/2016	Fan	D15/146
D788,199	S *	5/2017	Owens	D15/146
9,676,506	B2	6/2017	Hammad	
2005/0223682	A1 *	10/2005	Sung	B65B 31/046
				53/512
2006/0207227	A1 *	9/2006	Huang	B65B 31/046
				53/512
2007/0199283	A1 *	8/2007	Sung	B65B 31/046
				53/512
2013/0232925	A1 *	9/2013	Huang	B65B 31/048
				53/510
2014/0196405	A1 *	7/2014	Owens	B65B 51/146
				53/396
2015/0027089	A1 *	1/2015	Owens	B29C 66/8324
				53/510
2015/0367973	A1 *	12/2015	Owens	B65B 31/048
				53/408
2016/0101885	A1 *	4/2016	Ledger	B65B 51/10
				53/110
2018/0079538	A1 *	3/2018	Hu	B65B 31/024
2018/0079544	A1 *	3/2018	Palese	B65B 7/02

* cited by examiner

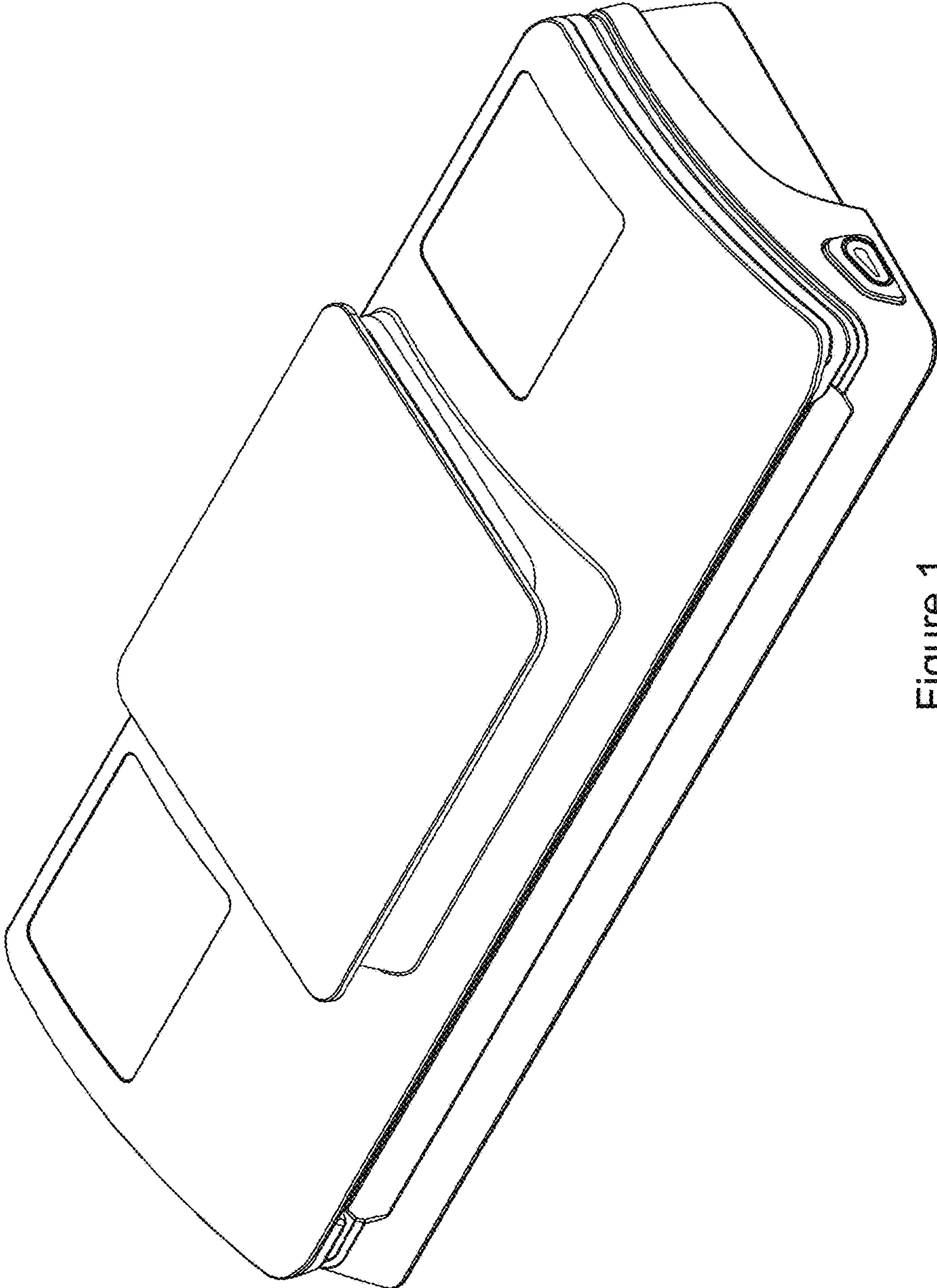


Figure 1

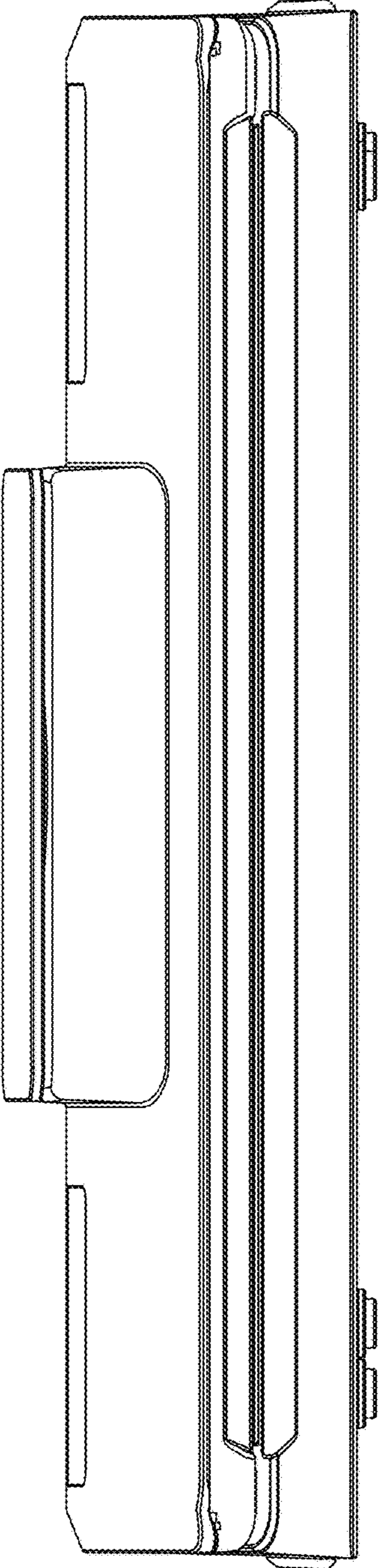


Figure 2

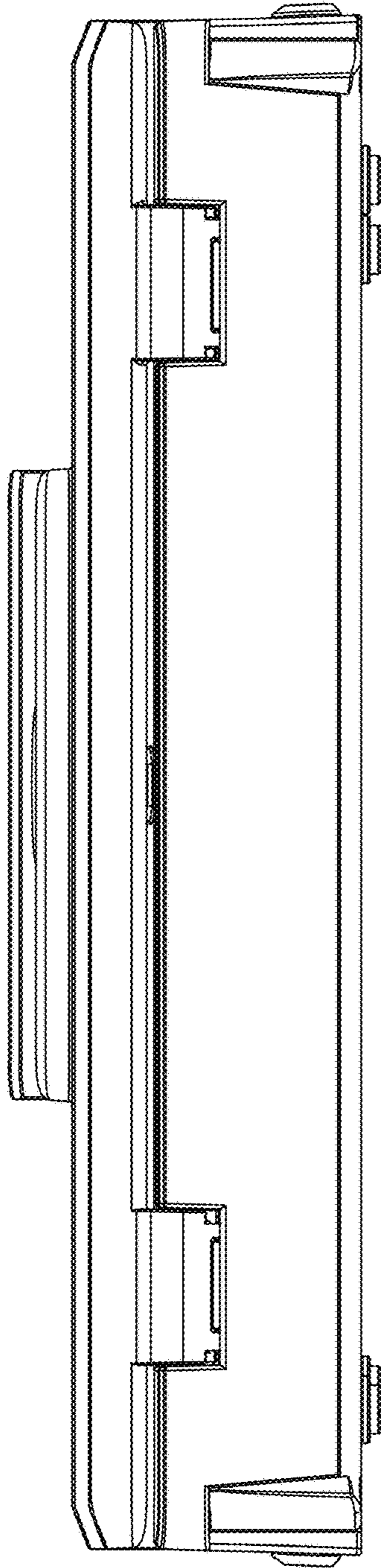


Figure 3

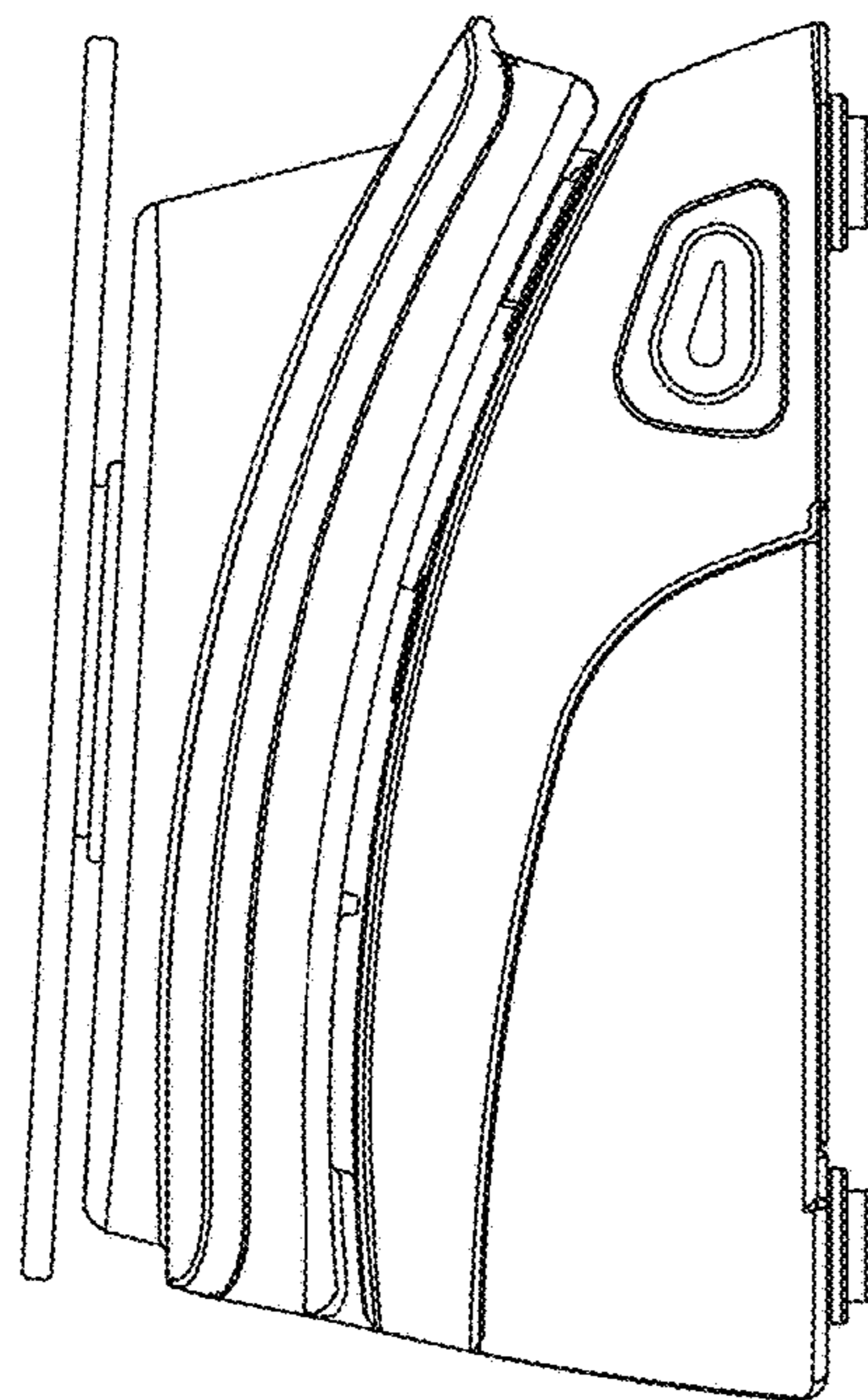


Figure 4

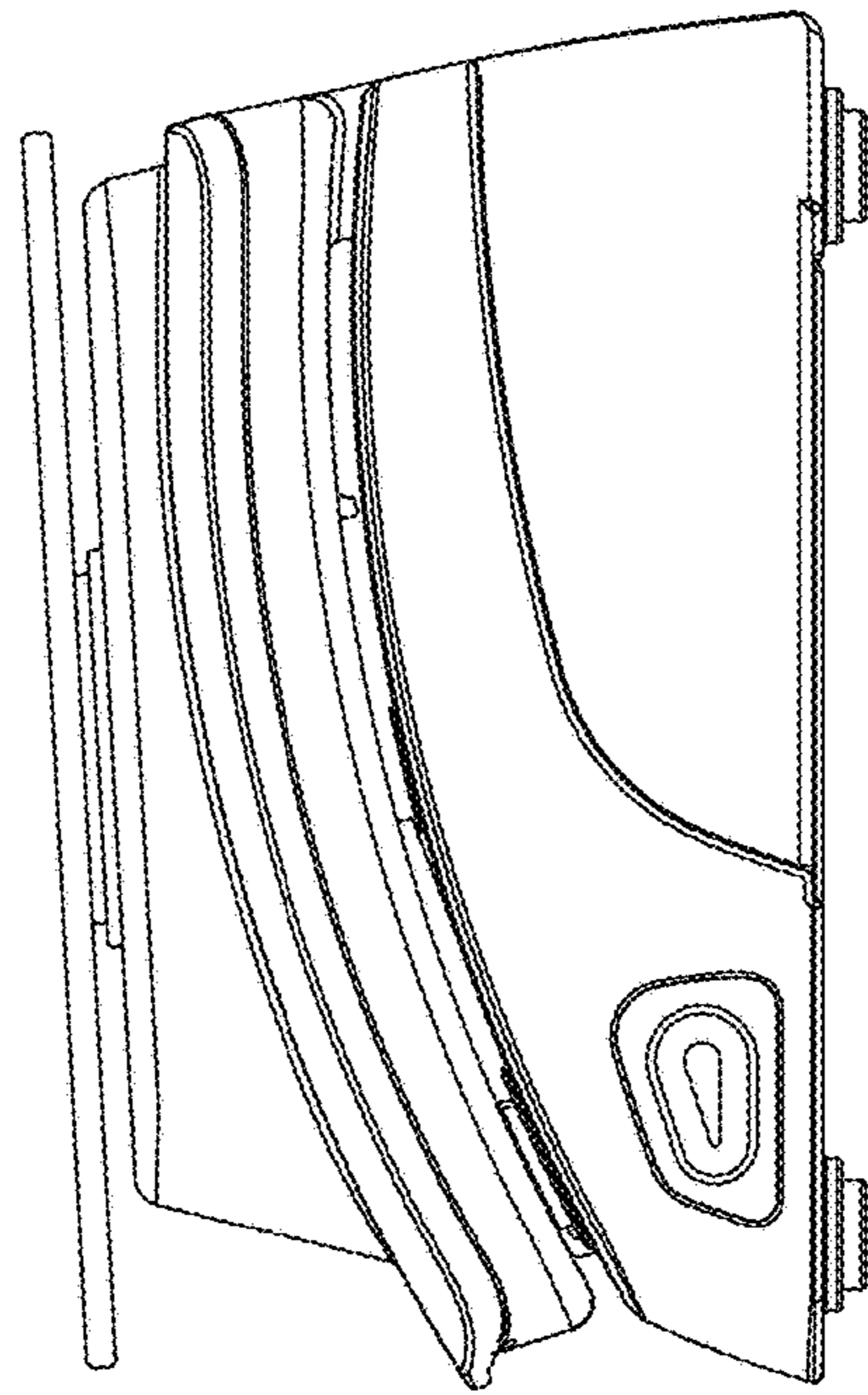


Figure 5

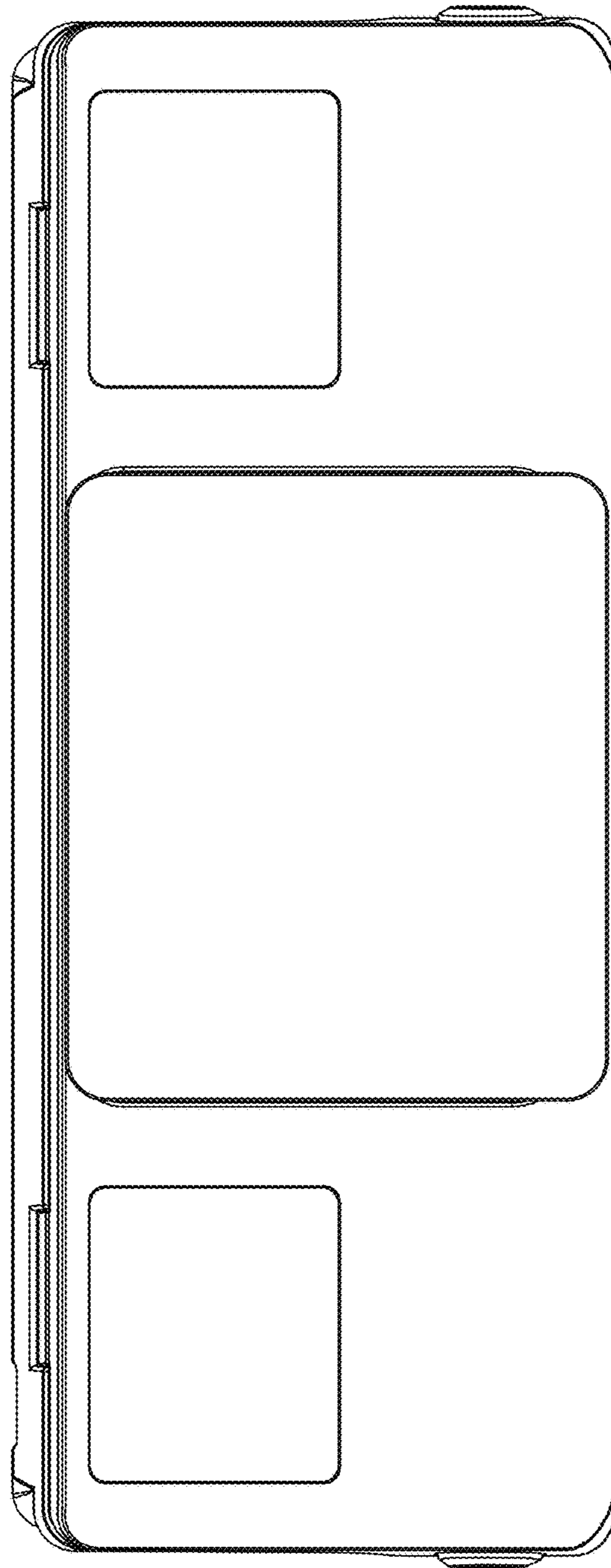


Figure 6

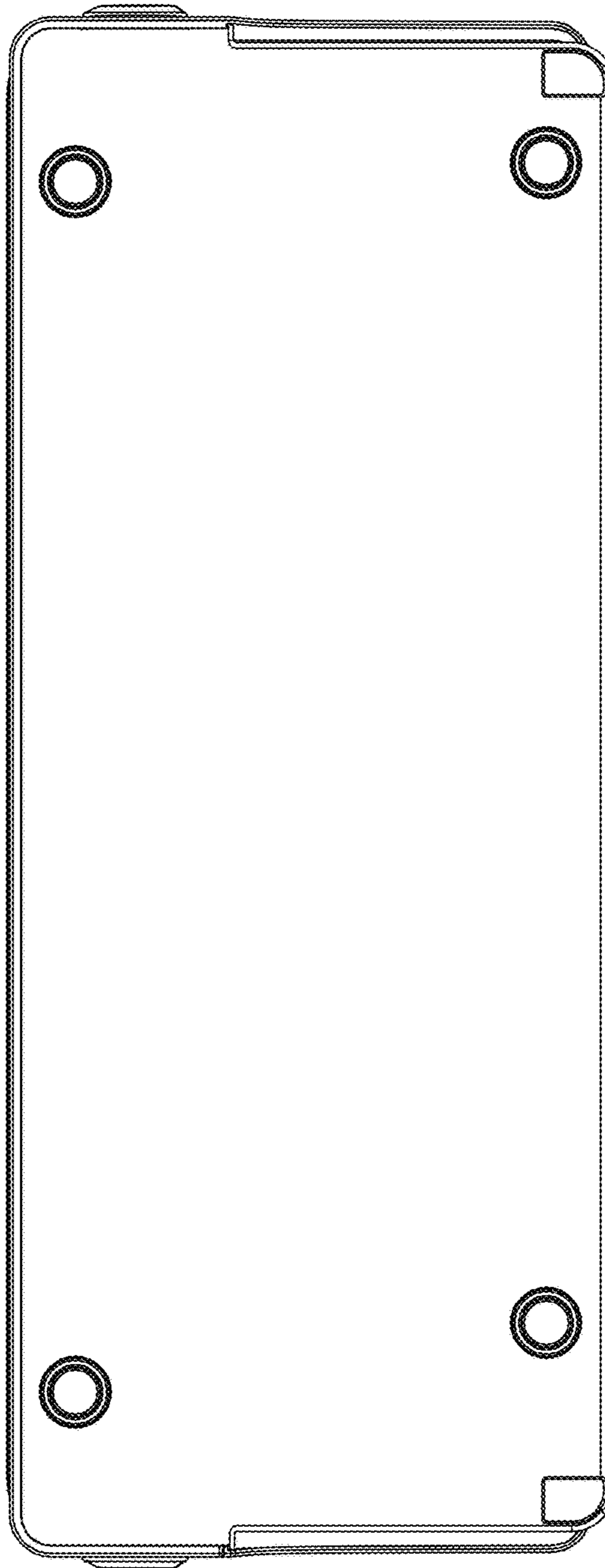


Figure 7

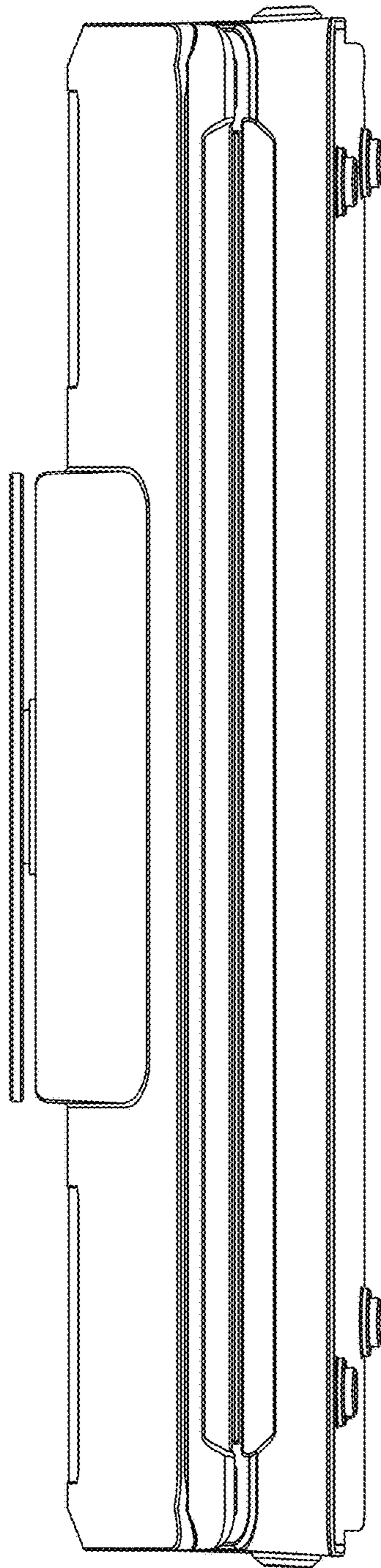


Figure 8

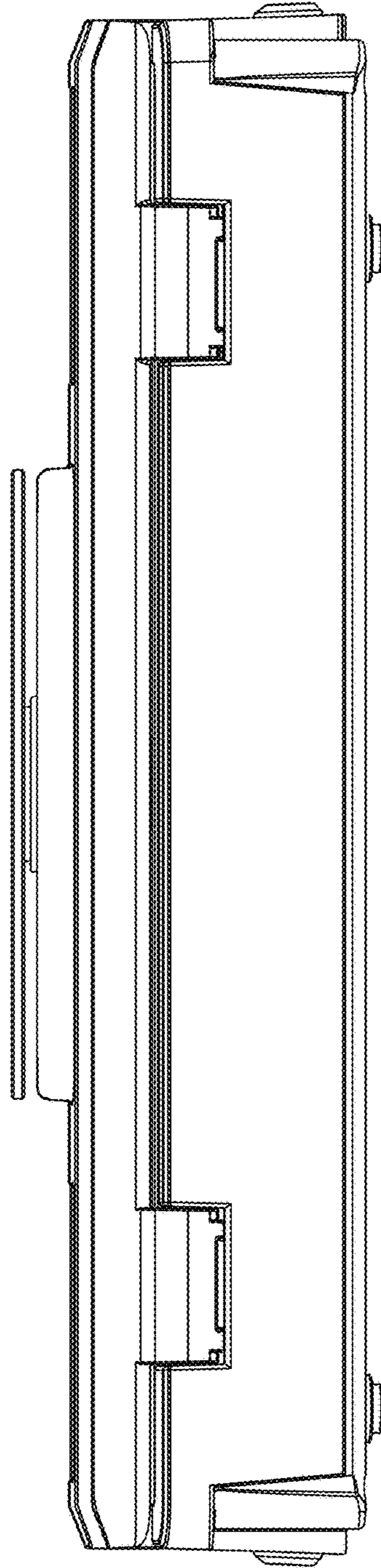


Figure 9