



US00D854593S

(12) **United States Design Patent**
Shu et al.

(10) **Patent No.:** **US D854,593 S**

(45) **Date of Patent:** **** Jul. 23, 2019**

(54) **WELDING MACHINE**

(71) Applicant: **SHANGHAI HUGONG ELECTRIC (GROUP) CO., LTD.**, Shanghai (CN)

(72) Inventors: **Zhenyu Shu**, Shanghai (CN); **Zhiqiang Li**, Shanghai (CN)

(73) Assignee: **SHANGHAI HUGONG ELECTRIC (GROUP) CO., LTD.**, Shanghai (CN)

(**) Term: **15 Years**

(21) Appl. No.: **29/633,126**

(22) Filed: **Jan. 12, 2018**

(51) **LOC (11) Cl.** **15-09**

(52) **U.S. Cl.**
USPC **D15/144**

(58) **Field of Classification Search**
USPC D8/29.1, 30; D13/101, 109, 110, 112, D13/116, 122, 123, 133, 144, 184; D15/144, 144.1, 144.2, 145, 146
CPC ... B23K 9/00; B29C 65/1432; B29C 65/1467; B29C 65/4815; B29C 65/5042; B29C 65/5092; B26C 66/1142; B26C 66/43; B26C 66/435; B26C 66/73185; B26C 66/73921

See application file for complete search history.

(56) **References Cited**

U.S. PATENT DOCUMENTS

- D243,459 S * 2/1977 Bliss D15/144
- D309,597 S * 7/1990 Higuchi D13/116
- D357,927 S * 5/1995 Soderholm D15/144.1
- D416,030 S * 11/1999 Weller D15/144.1
- 6,046,664 A * 4/2000 Weller B23K 9/1006
336/182
- D488,442 S * 4/2004 Fan D13/112
- D518,078 S * 3/2006 Persson D15/144.1
- D520,038 S * 5/2006 Ljungfeldt D15/144.1

- D620,886 S * 8/2010 Flattinger D13/110
- D626,576 S * 11/2010 Gramatyka D15/144
- D630,581 S * 1/2011 Xu D13/116
- D654,519 S * 2/2012 Wujczak D15/144
- D665,833 S * 8/2012 Raymond D15/144
- D679,738 S * 4/2013 Segala D15/144
- D682,646 S * 5/2013 Knopp D8/61
- D710,301 S * 8/2014 Ferro D13/116
- D711,319 S * 8/2014 Wilcox D13/116
- D744,019 S * 11/2015 Evans D15/144
- D754,626 S * 4/2016 Evans D15/144
- D762,165 S * 7/2016 Rowe D13/103
- D768,625 S * 10/2016 Lucaci D14/349
- D775,250 S * 12/2016 Snead D15/144
- D777,216 S * 1/2017 Allemeier D15/28
- D779,454 S * 2/2017 Crescenze D14/144
- D793,338 S * 8/2017 Zheng D13/102
- D810,161 S * 2/2018 Snead D15/144
- D811,456 S * 2/2018 Dekker D15/144

(Continued)

Primary Examiner — Garth Rademaker

Assistant Examiner — Fitzgerald L Butac

(74) *Attorney, Agent, or Firm* — Nixon & Vanderhye P.C.

(57) **CLAIM**

The ornamental design for a welding machine, as shown and described.

DESCRIPTION

FIG. 1 is a perspective view of the design for the welding machine;

FIG. 2 is a front view thereof;

FIG. 3 is a rear view thereof;

FIG. 4 is a left view thereof;

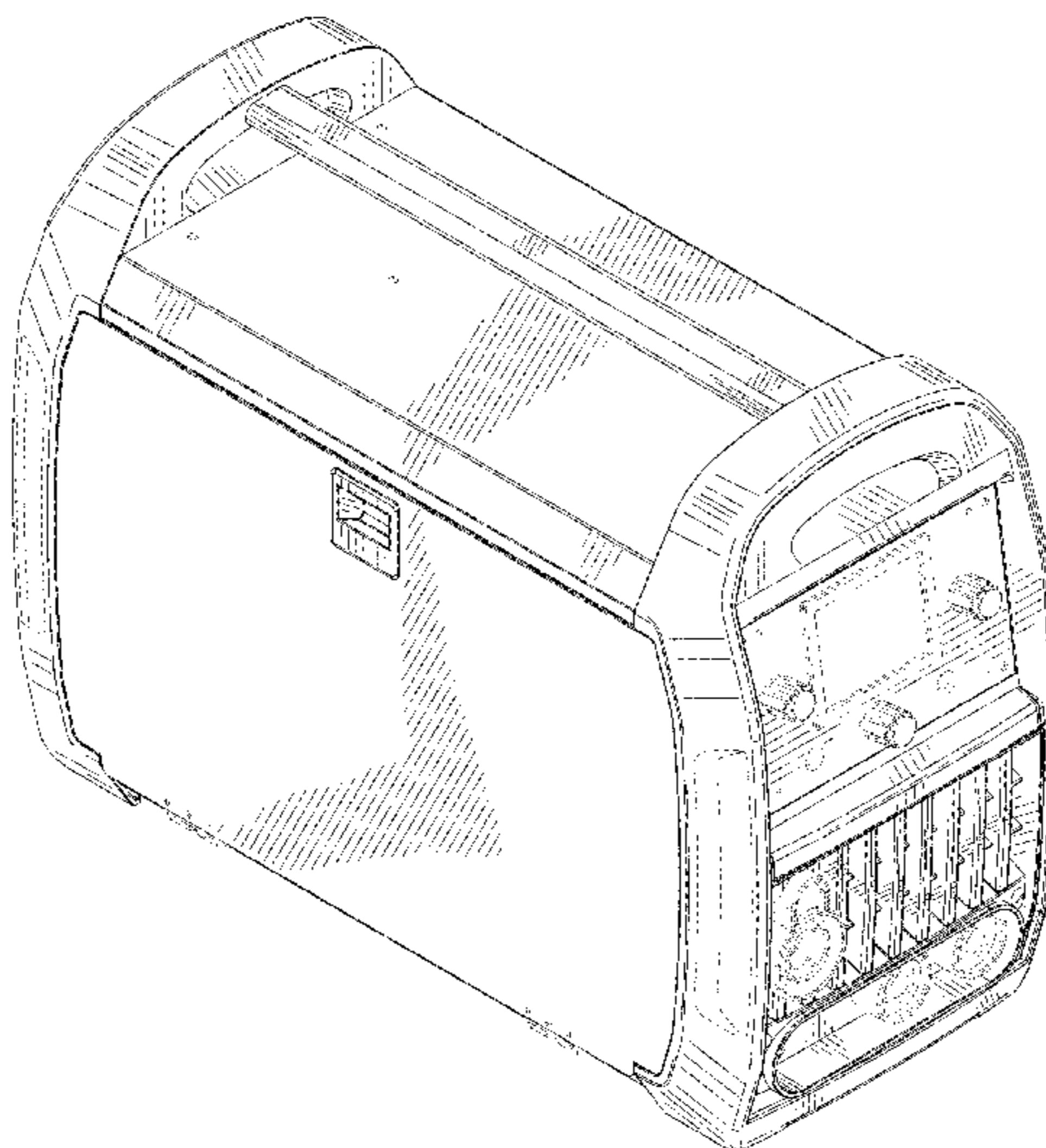
FIG. 5 is a right view thereof;

FIG. 6 is a top view thereof; and,

FIG. 7 is a bottom view thereof.

The broken lines are for the purposes of illustrating portions of the welding machine and form no part of the claimed design.

1 Claim, 7 Drawing Sheets



(56)

References Cited

U.S. PATENT DOCUMENTS

D812,119	S	*	3/2018	Dekker	D15/144
D813,161	S	*	3/2018	Ortakales	D13/110
D815,039	S	*	4/2018	Wen	D13/110
D820,332	S	*	6/2018	Brusky	D15/144
D821,463	S	*	6/2018	Lin	D15/144
D821,465	S	*	6/2018	Lin	D15/144
D821,466	S	*	6/2018	Lin	D15/144
D823,797	S	*	7/2018	Krantz	D13/110
D827,687	S	*	9/2018	Lin	D15/144
D827,688	S	*	9/2018	Lin	D15/144
D829,788	S	*	10/2018	Lin	D15/144

* cited by examiner

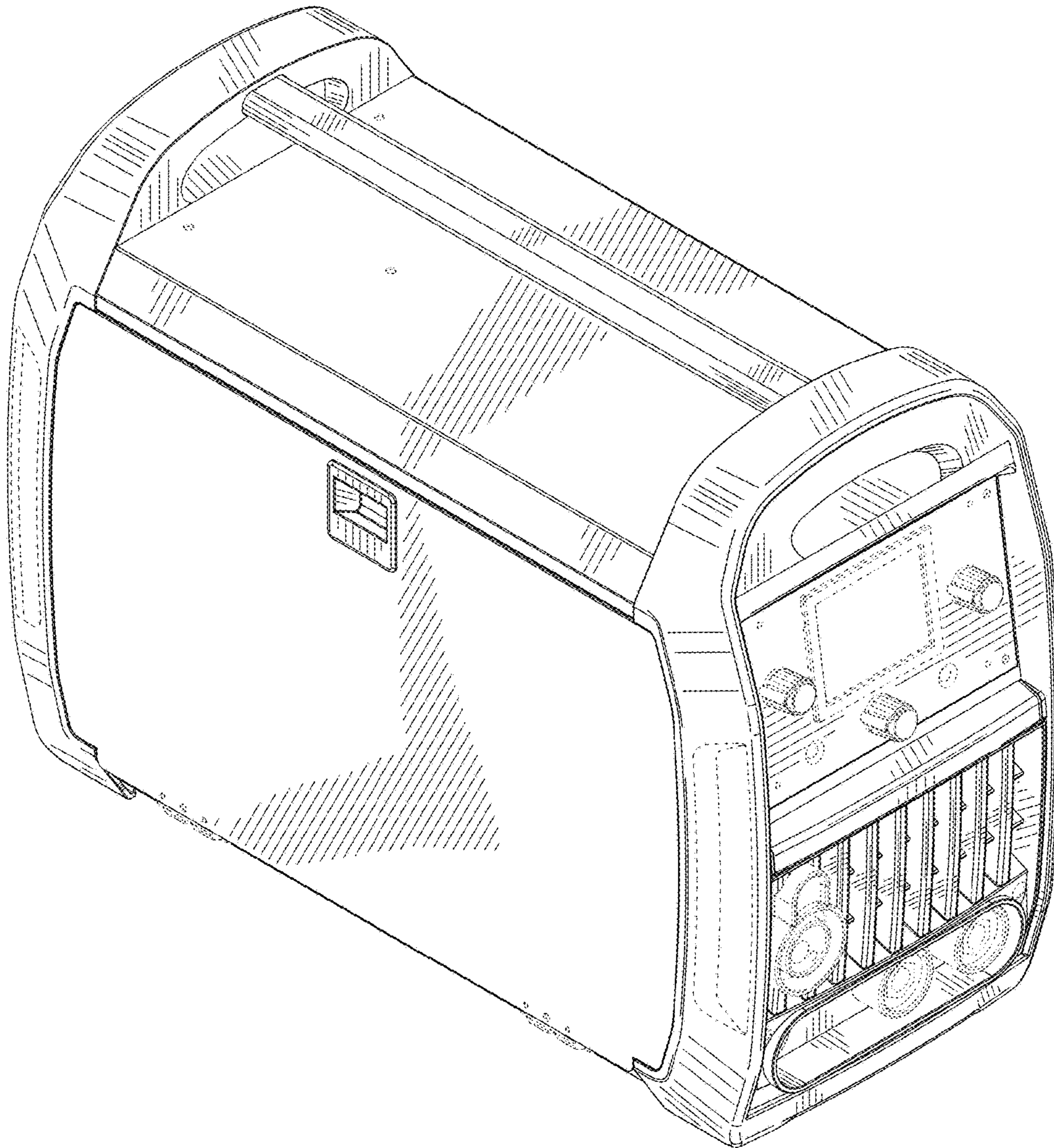


Fig. 1

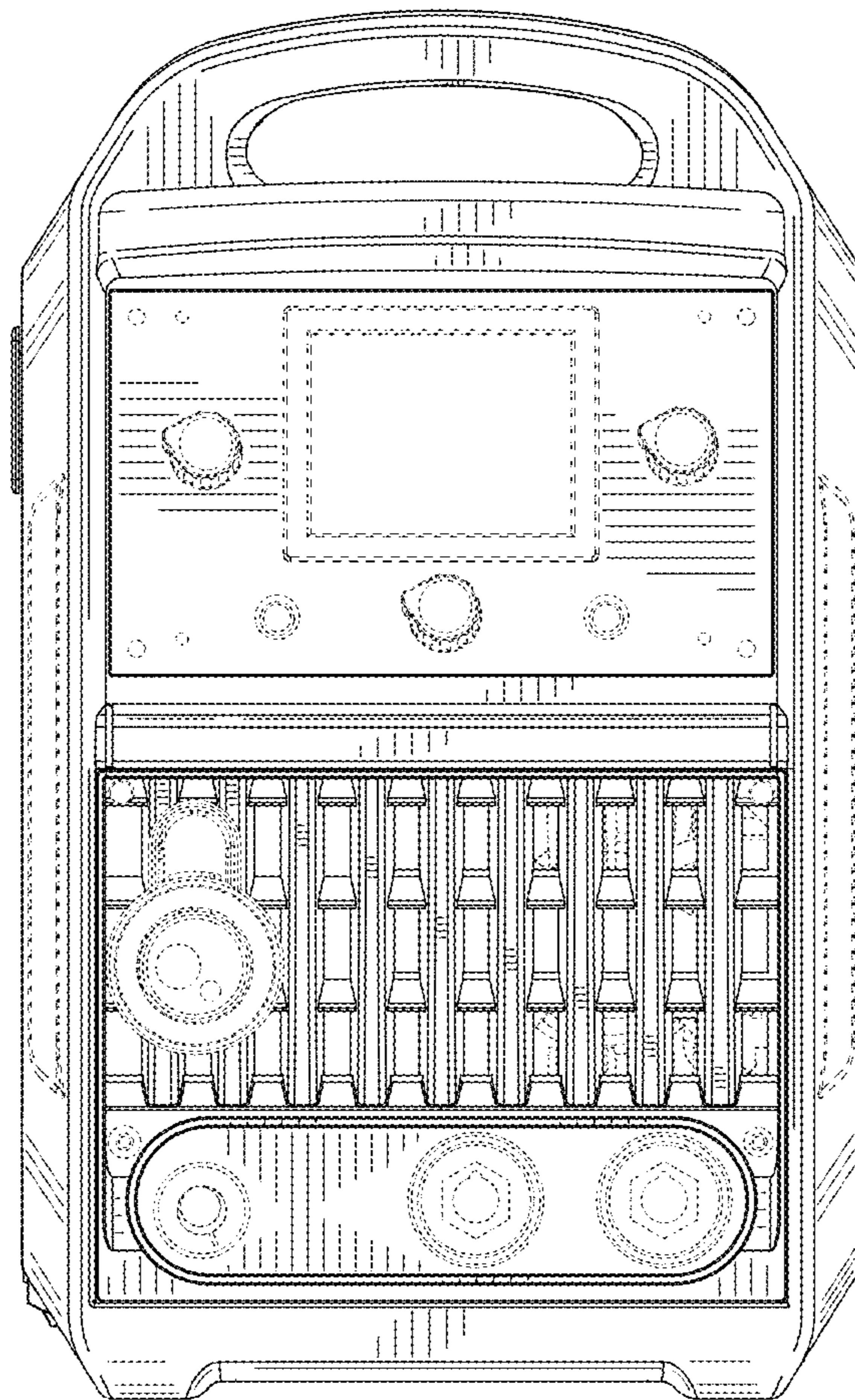


Fig. 2

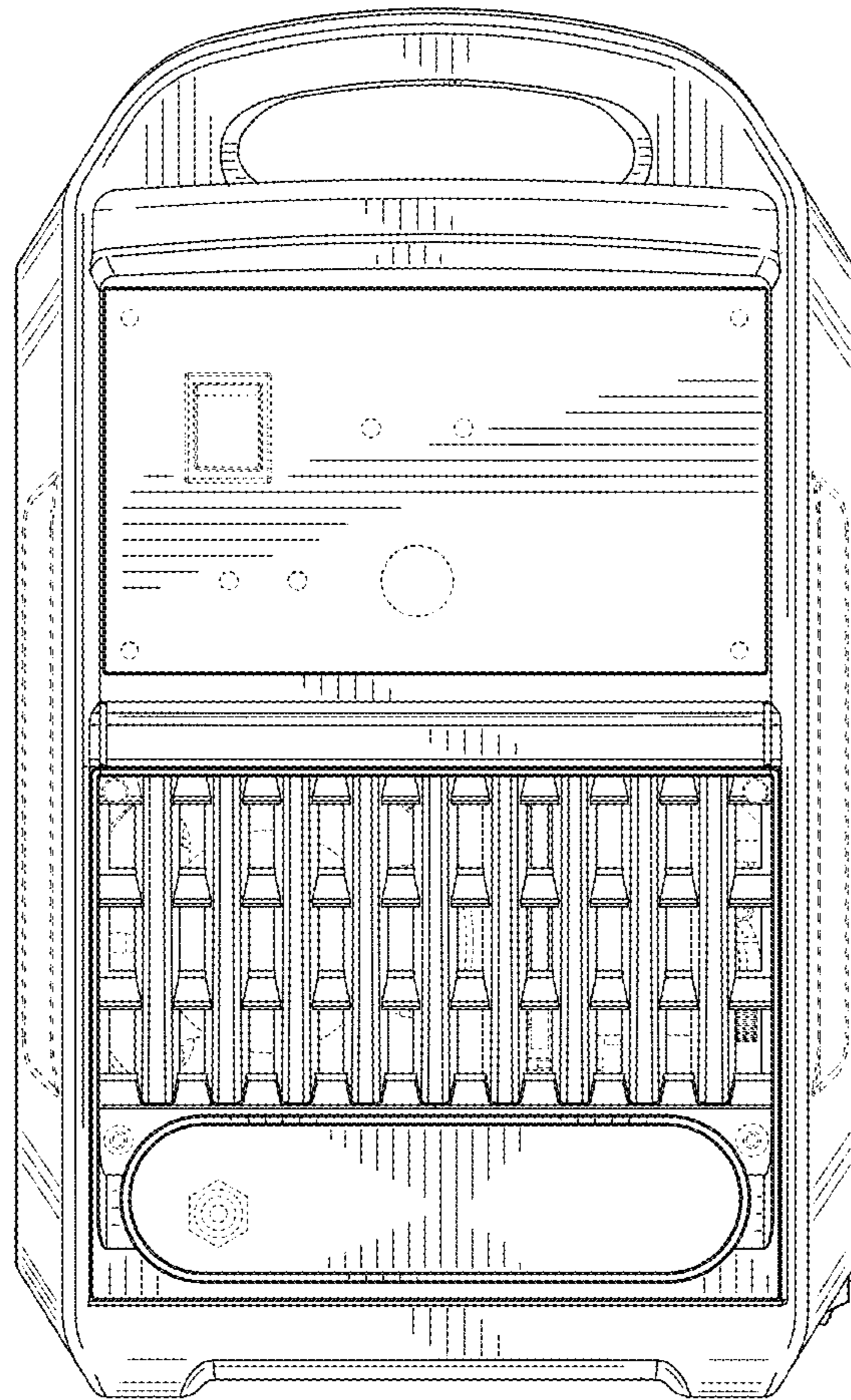


Fig. 3

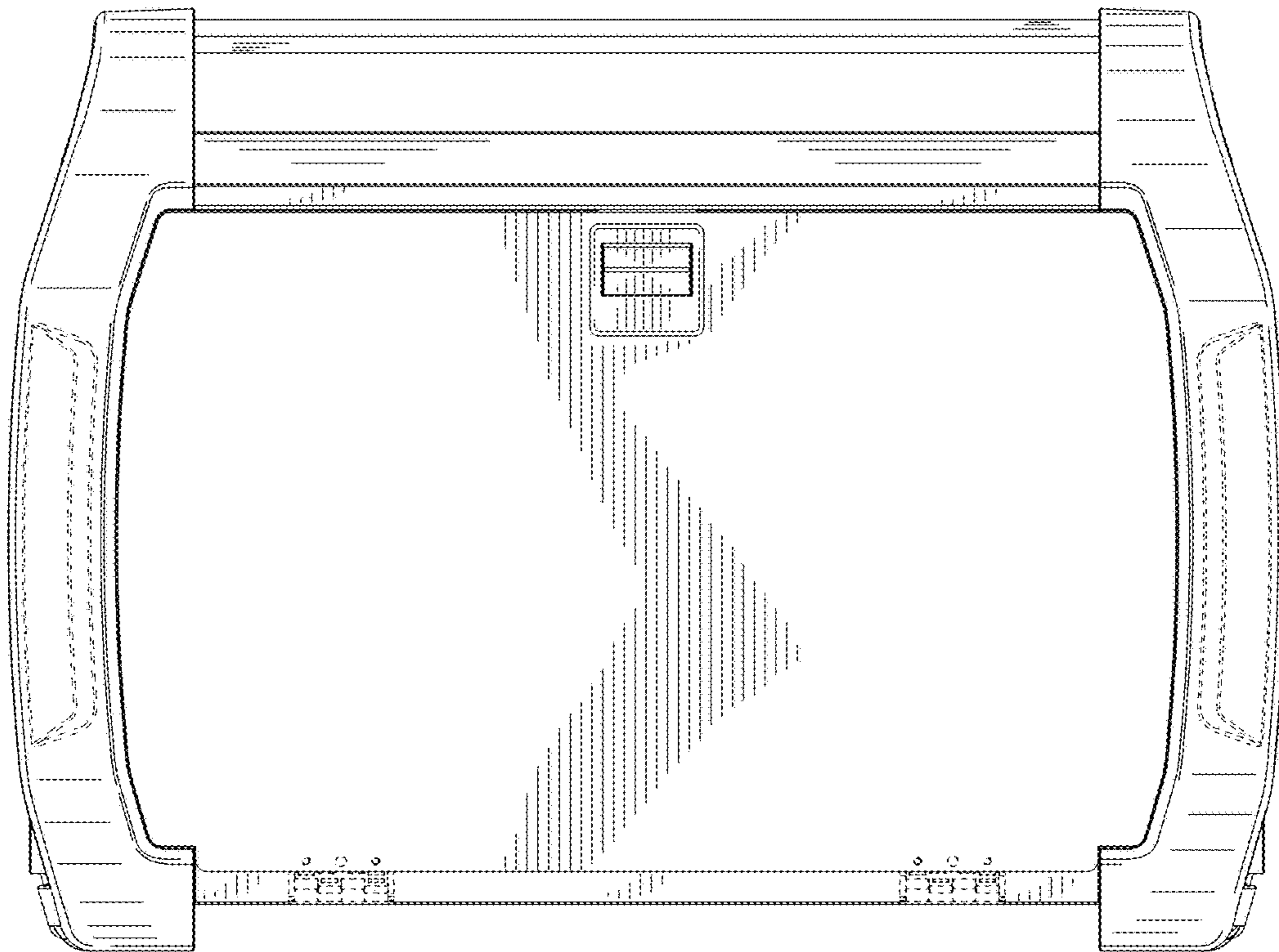


Fig. 4

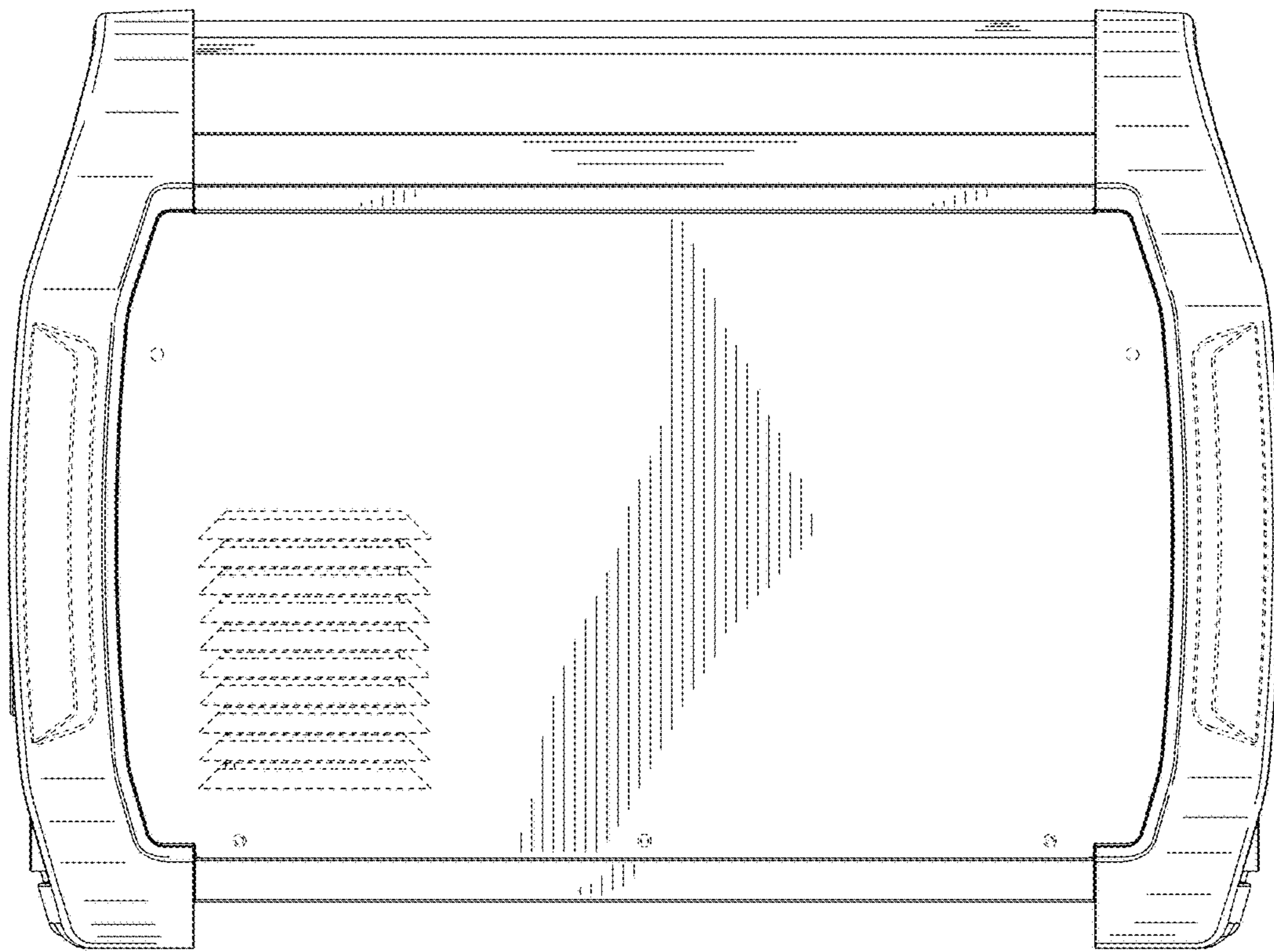


Fig. 5

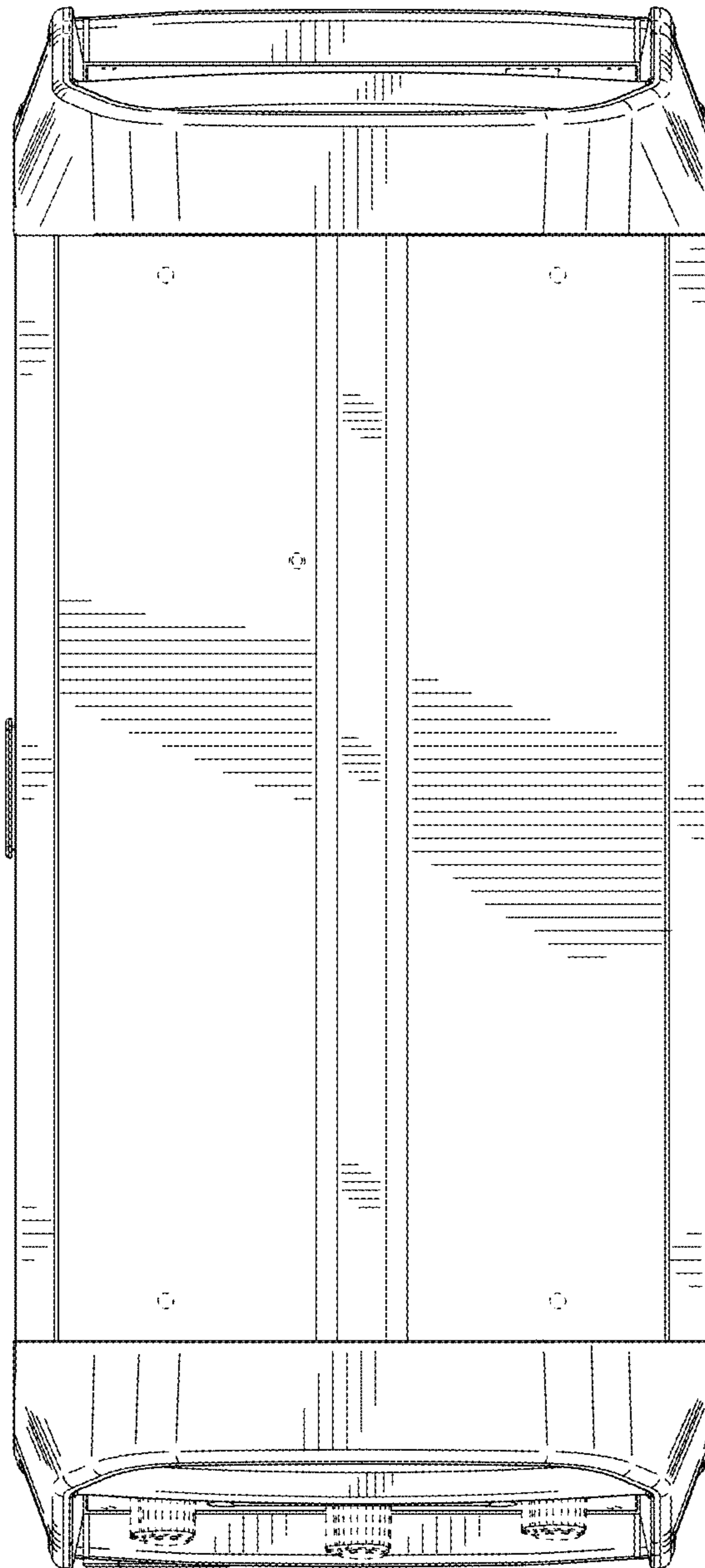


Fig. 6

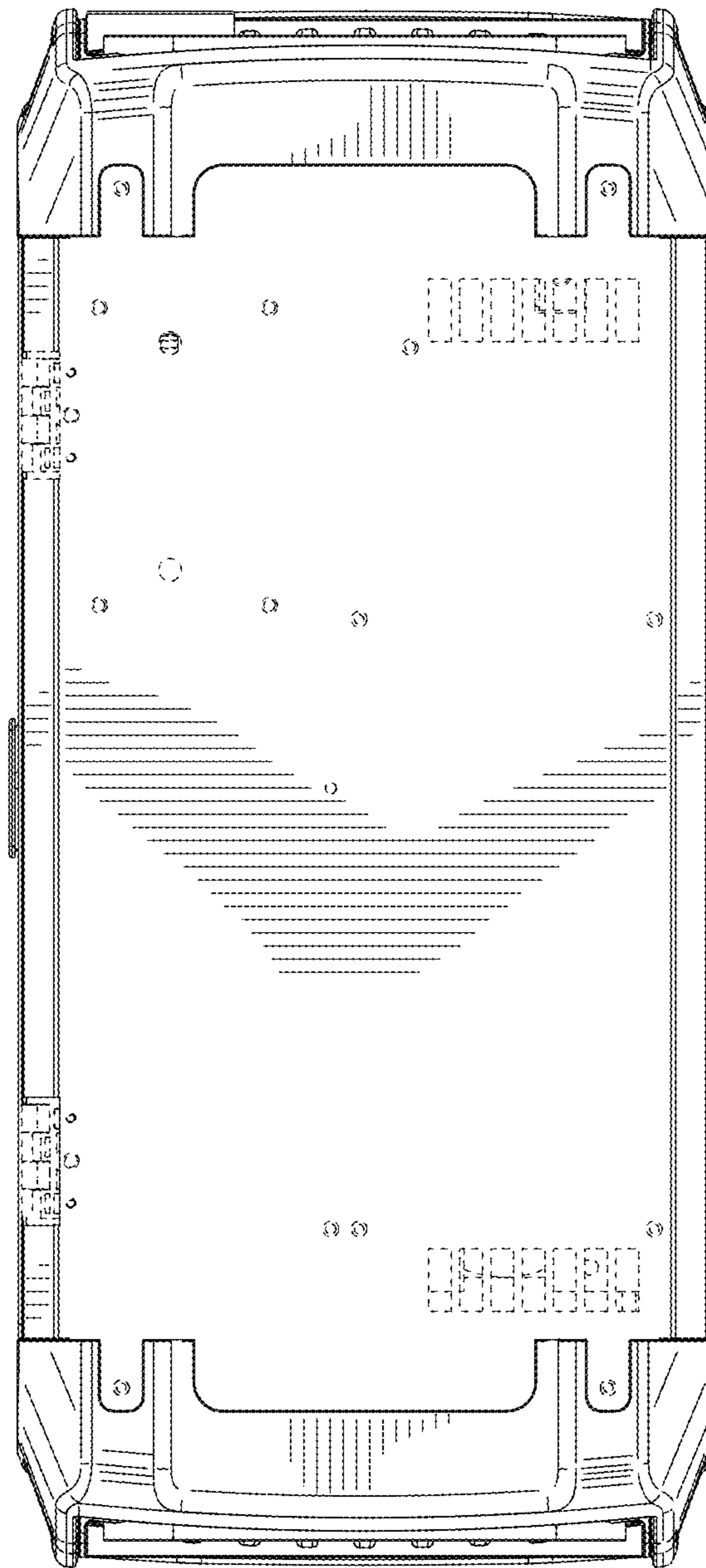


Fig. 7