



US00D854590S

(12) **United States Design Patent** (10) **Patent No.:** **US D854,590 S**
McAndrew (45) **Date of Patent:** **** Jul. 23, 2019**

- (54) **AIR CURTAIN GUIDE FOR A REFRIGERATOR**
- (71) Applicant: **Aerofoil Energy Limited**, Bollington, Macclesfield, Cheshire (GB)
- (72) Inventor: **Paul McAndrew**, Cheshire (GB)
- (73) Assignee: **Aerofoil Energy Limited**, Cheshire (GB)
- (**) Term: **15 Years**
- (21) Appl. No.: **29/659,113**
- (22) Filed: **Aug. 6, 2018**

Related U.S. Application Data

- (60) Division of application No. 29/587,013, filed on Dec. 8, 2016, now Pat. No. Des. 824,963, which is a continuation of application No. 29/509,239, filed on Nov. 14, 2014, now Pat. No. Des. 777,225.

Foreign Application Priority Data

- May 16, 2014 (EM) 002465898
- (51) **LOC (11) Cl.** **15-07**
- (52) **U.S. Cl.**
USPC **D15/89**
- (58) **Field of Classification Search**
USPC D15/79-91
CPC F25D 23/028; F25D 23/02; F25D 25/025; F25D 23/00; F25D 2323/021; F25D 11/00; F25D 2323/024; F25D 23/04; F25D 29/00; F25D 25/02; F25D 25/024; F25D 27/005; F25D 23/12; F25D 29/005; F25D 17/042; F25D 2325/021
- See application file for complete search history.

(56) **References Cited**

U.S. PATENT DOCUMENTS

D719,194 S *	12/2014	Lee	D15/89
D731,562 S *	6/2015	You	D15/89
D737,344 S *	8/2015	Lee	D15/89
D748,167 S *	1/2016	Lee	F25D 25/025 D15/89
D777,225 S *	1/2017	McAndrew	D15/89
D797,164 S *	9/2017	Jo	D15/89
D824,963 S *	8/2018	McAndrew	D15/89
2014/0263134 A1 *	9/2014	Walker	A47F 5/005 211/184

* cited by examiner

Primary Examiner — Khawaja Anwar

(57) **CLAIM**

The ornamental design for an air curtain guide for a refrigerator, as shown and described.

DESCRIPTION

FIG. 1 is a front view of an air curtain guide for a refrigerator showing my new design;
 FIG. 2 is a left side view thereof;
 FIG. 3 is a right side view thereof;
 FIG. 4 is a top view thereof;
 FIG. 5 is a bottom view thereof;
 FIG. 6 is a perspective view thereof, shown in use condition; and,
 FIG. 7 is a perspective view thereof, shown in another use condition.

The broken lines shown in drawings show portions of the air curtain guide for a refrigerator and in FIGS. 6 & 7 show environment and neither form parts of the claimed design.

1 Claim, 7 Drawing Sheets

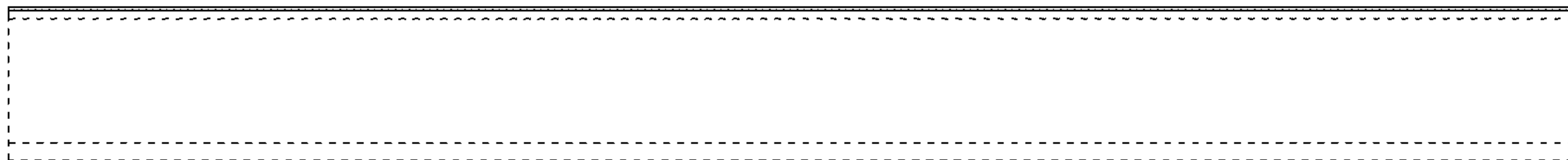


FIGURE 1

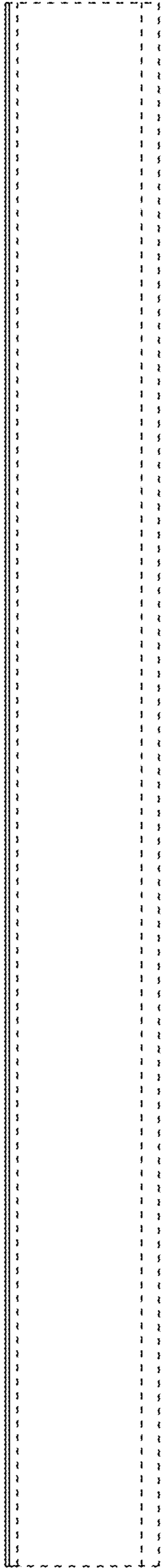


FIGURE 2

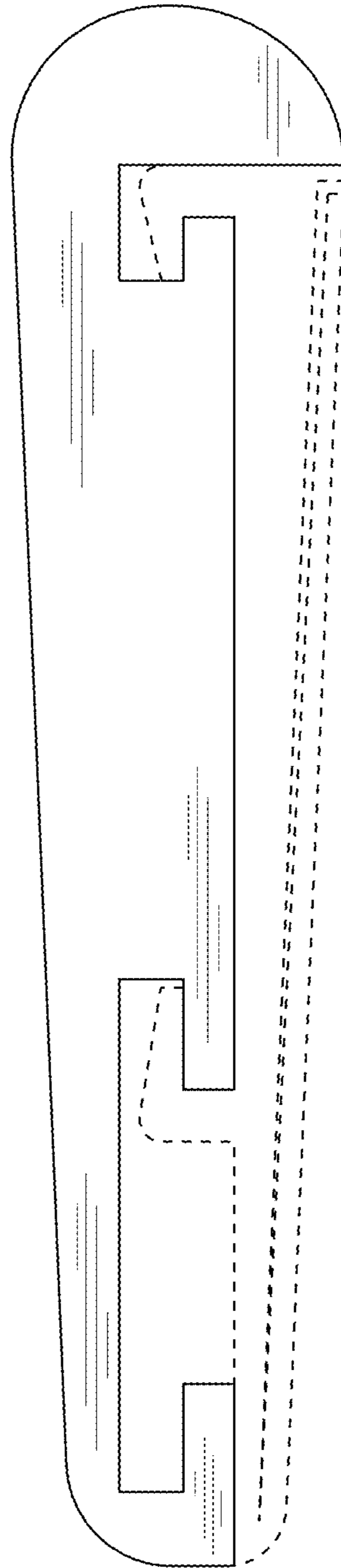


FIGURE 3

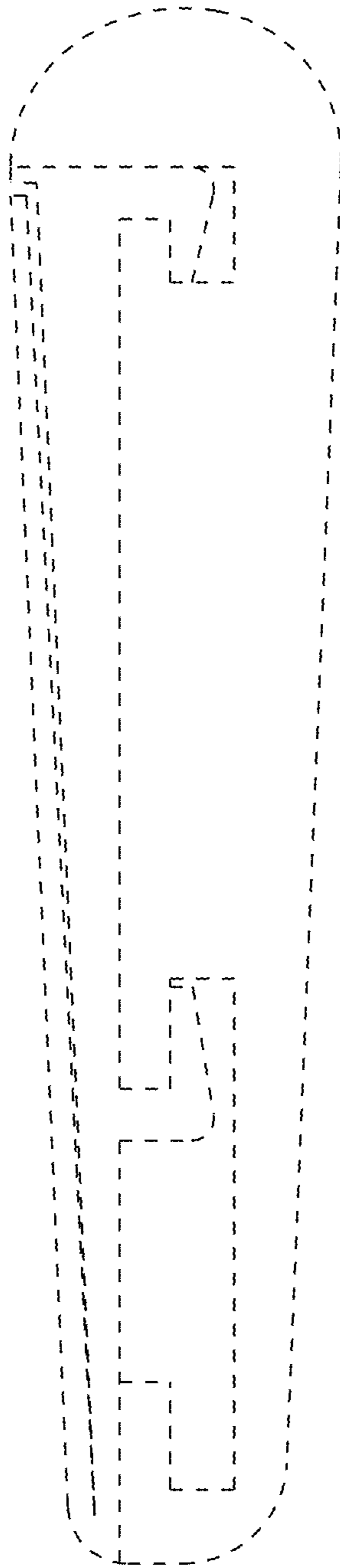


FIGURE 4

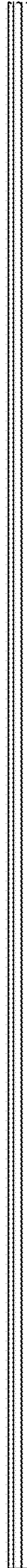
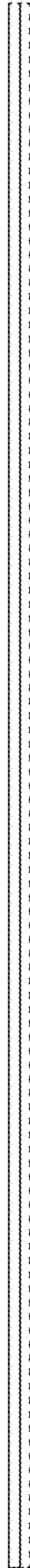


FIGURE 5



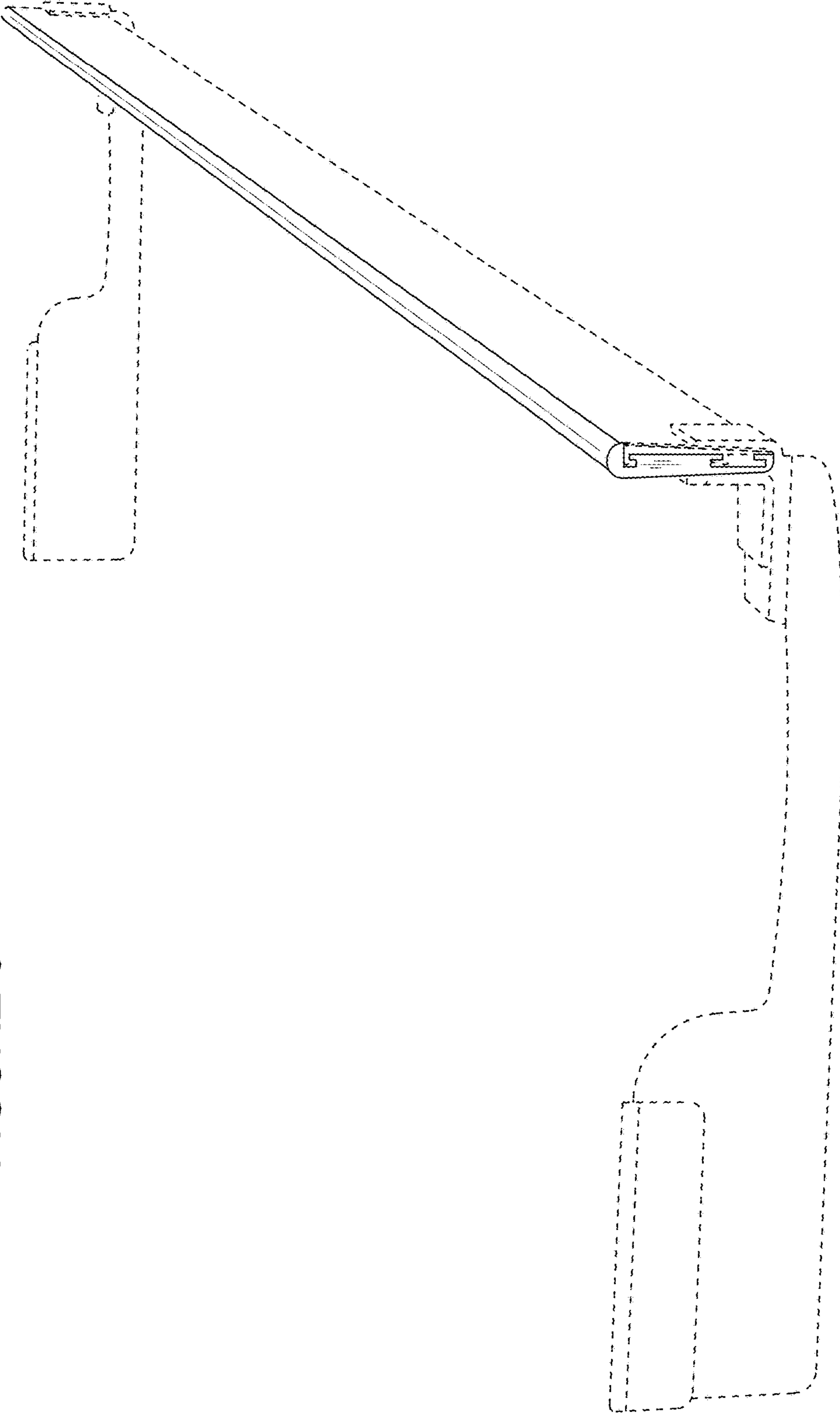


FIGURE 6

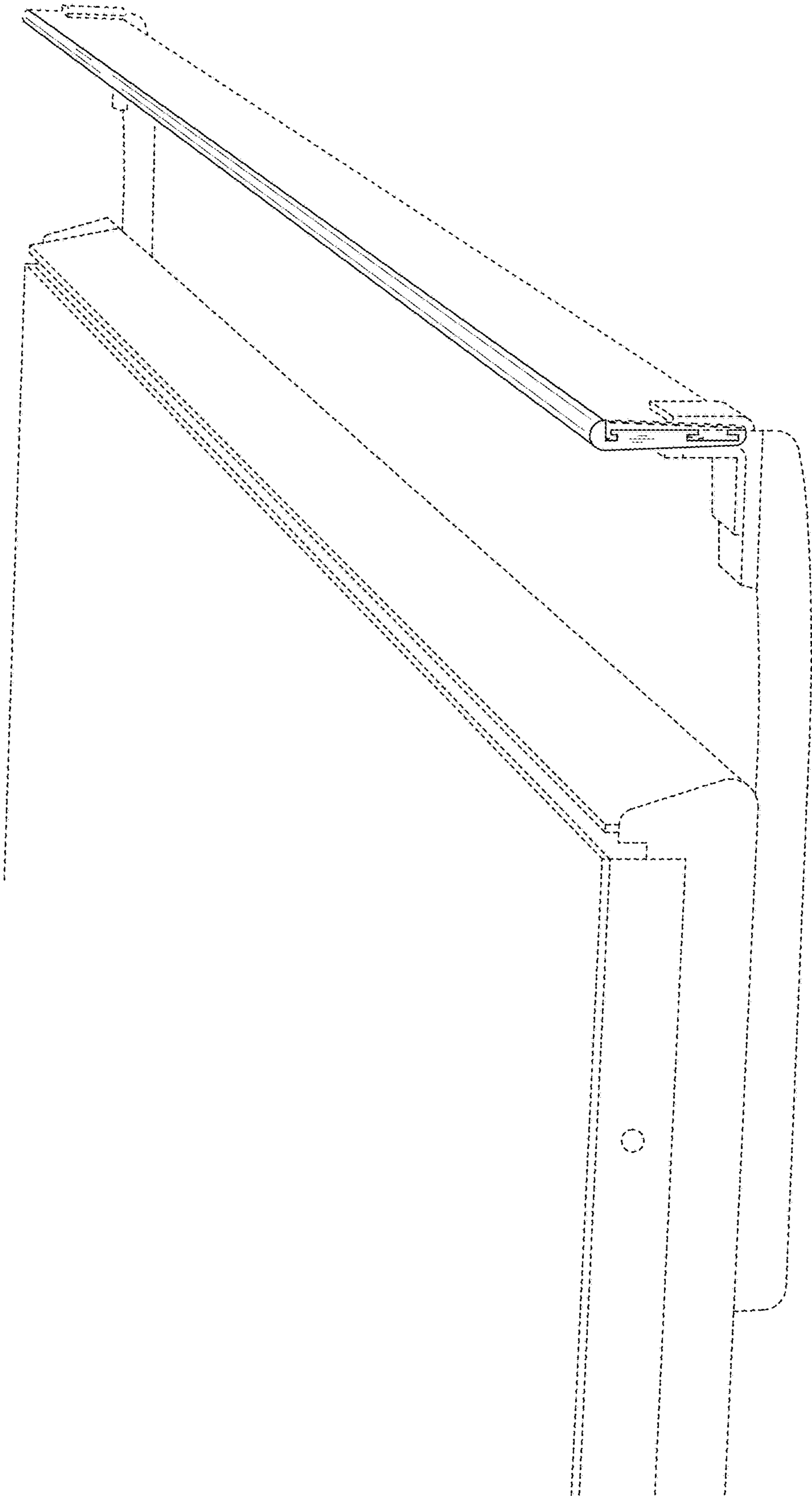


FIGURE 7