



US00D854589S

(12) **United States Design Patent**
Lee et al.

(10) **Patent No.:** **US D854,589 S**
(45) **Date of Patent:** **** Jul. 23, 2019**

(54) **SHELF FOR REFRIGERATOR**

(71) Applicant: **Samsung Electronics Co., Ltd.**,
Suwon-si (KR)
(72) Inventors: **Junkyo Lee**, Seongnam-si (KR);
Hyeongju Seo, Seoul (KR); **Selim**
Yoon, Seongnam-si (KR); **Sunmin Lee**,
Seoul (KR); **Jongsu Jeon**, Seongnam-si
(KR)
(73) Assignee: **Samsung Electronics Co., Ltd.**,
Suwon-si (KR)

(**) Term: **15 Years**

(21) Appl. No.: **29/633,155**

(22) Filed: **Jan. 12, 2018**

(30) **Foreign Application Priority Data**

Aug. 17, 2017 (KR) 30-2017-0038255

(51) **LOC (11) Cl.** **15-07**

(52) **U.S. Cl.**
USPC **D15/89**

(58) **Field of Classification Search**
USPC D15/79-91; D6/707, 707.7, 324, 705,
D6/705.7, 702, 706, 707.19, 675.3, 672,
D6/675, 675.1
CPC F25D 23/028; F25D 11/02; F25D 23/126;
F25D 25/02; F25D 27/00; F25D 27/005;
F25D 23/025; F25D 23/04; F25D
2323/021; F25D 2323/023; F25D 23/062;
F25D 25/025; F25D 17/045; F25D
2325/021; F25D 2325/022; F25D 23/00;
F25D 23/02; F25D 23/067; F25D 23/069;
F25D 2400/361; F25D 2500/02; F25D
2500/06; F25D 25/024; F25D 29/00;
F25D 11/00; F25D 11/022; F25D 17/065;
F25D 21/04; F25D 2317/061; F25D
2317/063; F25D 2317/0651; F25D
2317/0653; F25D 2317/0661; F25D
2317/0665; F25D

(Continued)

(56) **References Cited**

U.S. PATENT DOCUMENTS

D387,780 S * 12/1997 Sandlin D15/89
D513,757 S * 1/2006 Grobleben D15/89

(Continued)

FOREIGN PATENT DOCUMENTS

EM 000187349-0001 9/2004
EM 000677448-0001 3/2007

(Continued)

Primary Examiner — Khawaja Anwar

(74) *Attorney, Agent, or Firm* — NSIP Law

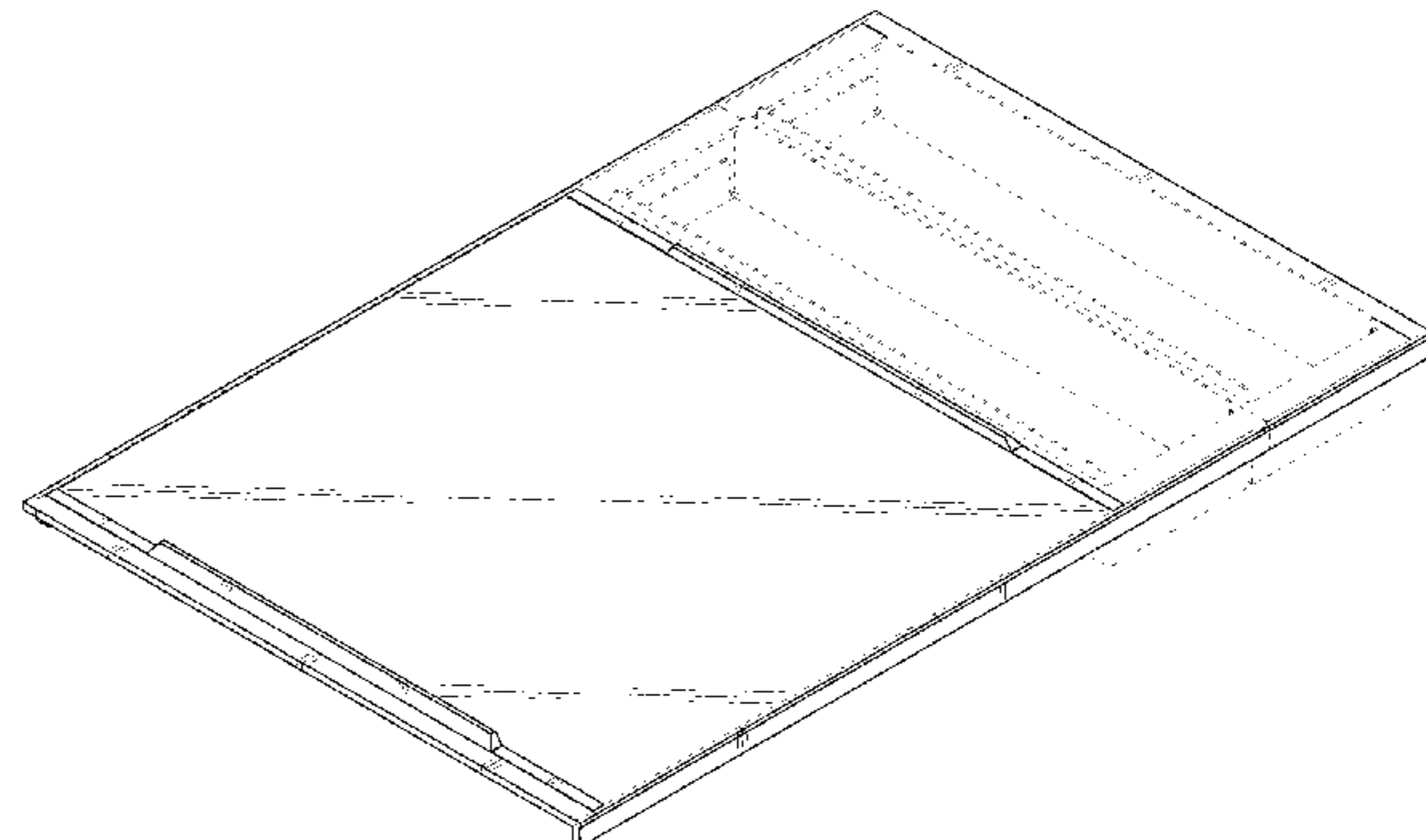
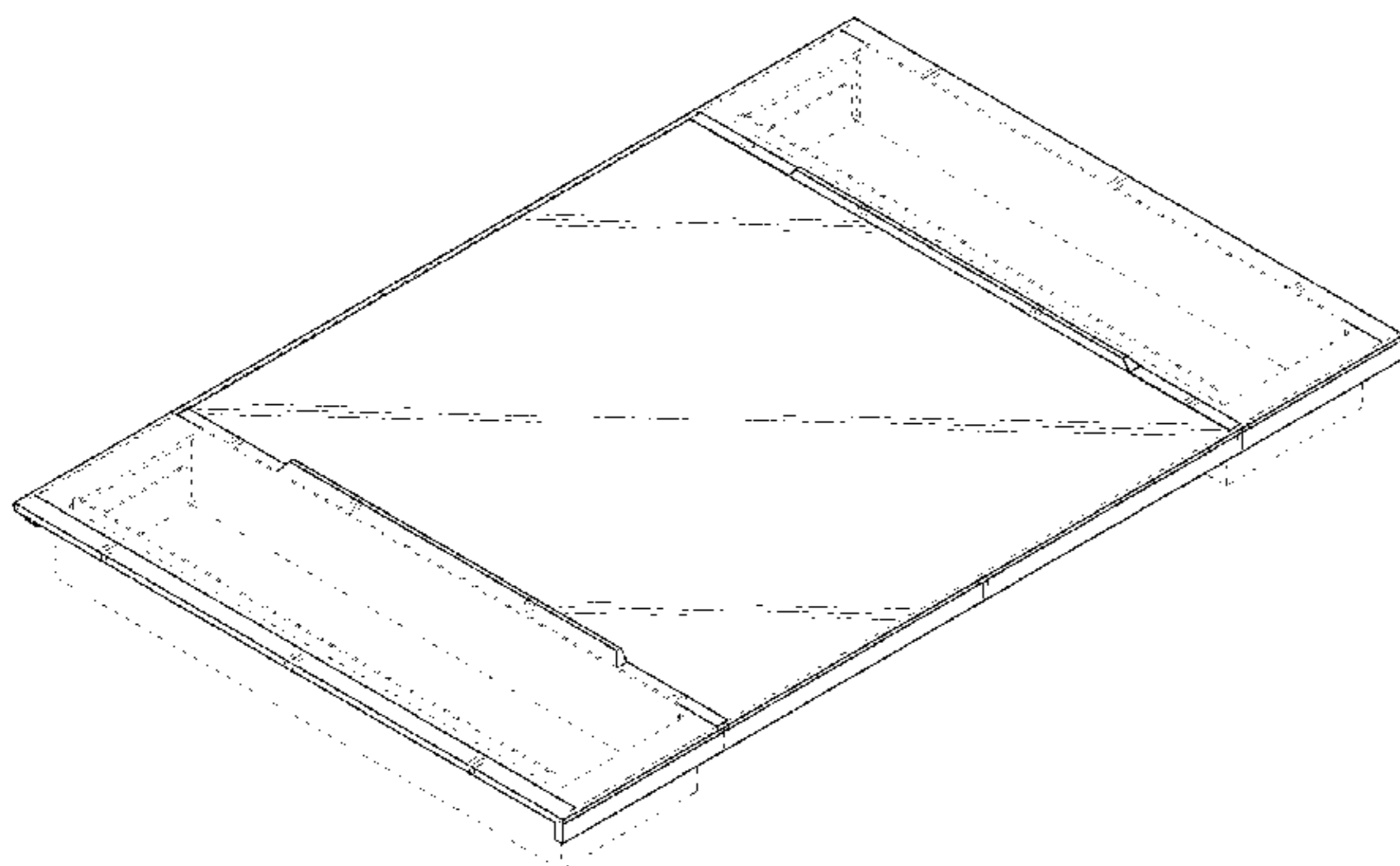
(57) **CLAIM**

We claim the ornamental design for a shelf for refrigerator,
as shown and described.

DESCRIPTION

FIG. 1 is a front perspective view of a shelf for refrigerator
showing our new design;
FIG. 2 is a front view thereof;
FIG. 3 is a rear view thereof;
FIG. 4 is a left-side view thereof;
FIG. 5 is a right-side view thereof;
FIG. 6 is a top view thereof;
FIG. 7 is a bottom view thereof;
FIG. 8 is a front perspective view of the shelf for refrigerator
shown in a state of use;
FIG. 9 is another front perspective view of the shelf for
refrigerator shown in an alternate state of use; and,
FIG. 10 is a front perspective view of the shelf for refrig-
erator in which a refrigerator is provided in broken lines to
illustrate an example environment.
The broken lines in the figures depict environmental subject
matter and form no part of the claimed design.

1 Claim, 10 Drawing Sheets



(58) **Field of Classification Search**

CPC 2323/121; F25D 2323/122; F25D 2327/00;
F25D 2327/001; F25D 2331/81; F25D
23/021; F25D 23/06; F25D 23/066; F25D
23/10; F25D 23/12; F25D 2400/00; F25D
2400/02; F25D 2400/04; F25D 2400/16;
F25D 2400/36; F25D 2400/40; F25D
25/022; F25D 25/027; F25D 25/028;
F25D 2600/02; F25D 2600/06; F25D
2700/00; F25D 2700/04; F25D 2700/12;
F25D 2700/122; F25D 2700/14; F25D
29/005; F25D 31/00; F25D 31/002; F25D
31/005

See application file for complete search history.

(56) **References Cited**

U.S. PATENT DOCUMENTS

D515,114 S *	2/2006	Grobleben	D15/89
D710,405 S *	8/2014	Seo	D15/89
D714,841 S *	10/2014	Jeon	D15/89
D717,349 S *	11/2014	Seo	D15/89
D734,784 S	7/2015	Kim et al.	
D800,800 S *	10/2017	Park	D15/89
D800,801 S *	10/2017	Park	D15/89
D807,931 S *	1/2018	Kim	D15/89

FOREIGN PATENT DOCUMENTS

KR	30-2015-0007786	5/2015
KR	30-2015-0048757	5/2016

* cited by examiner

FIG. 1

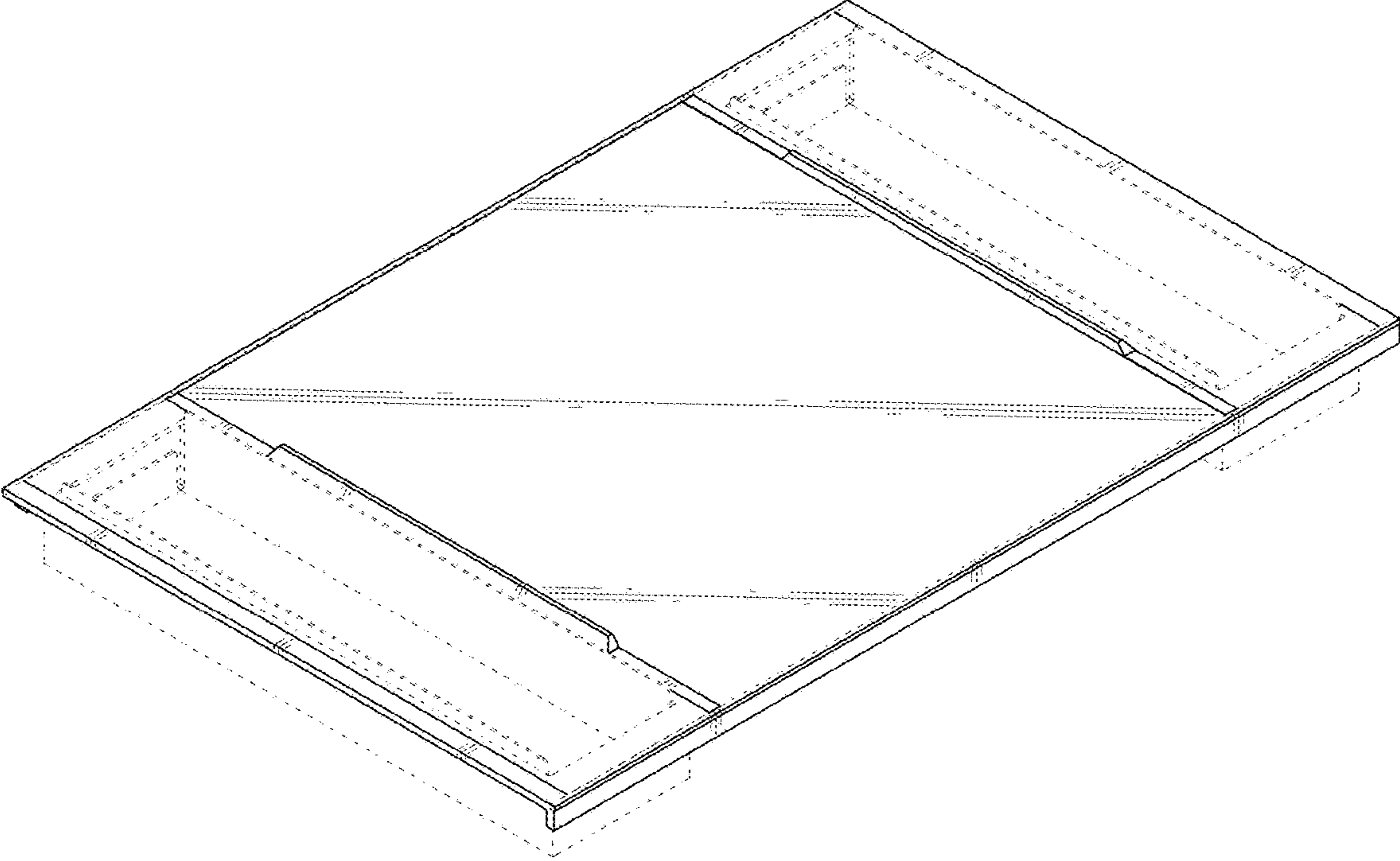


FIG. 2

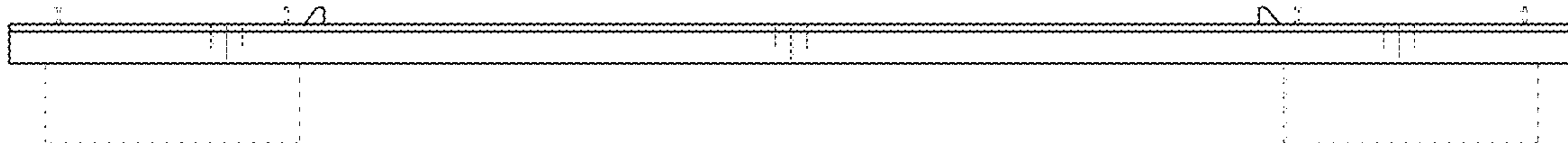


FIG. 3

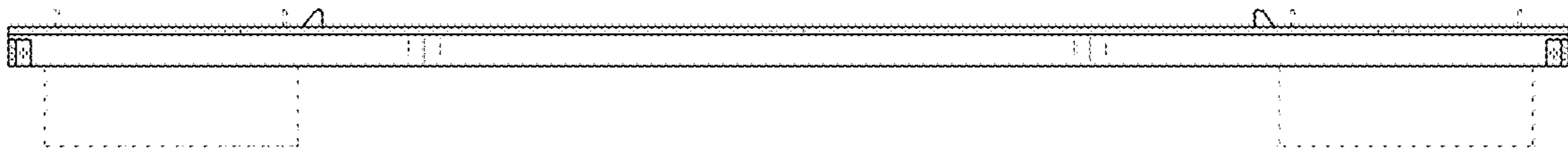


FIG. 4

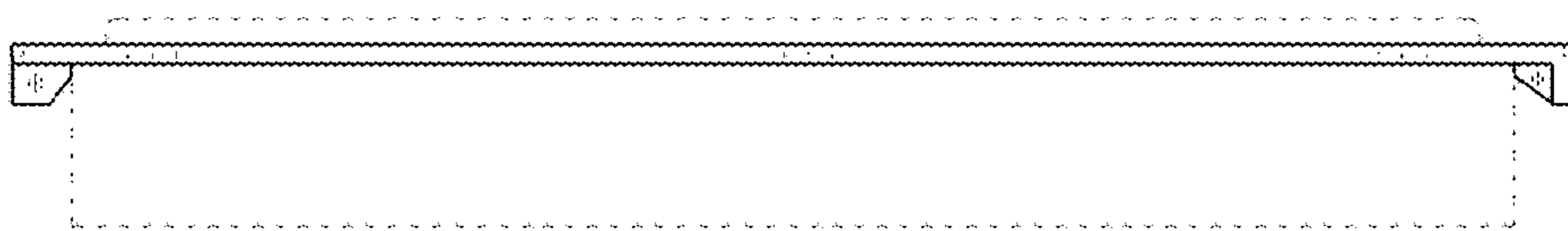


FIG. 5

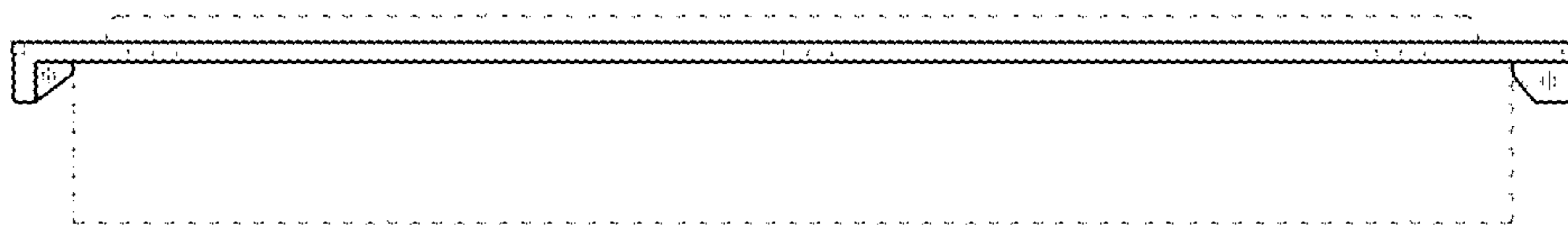


FIG. 6

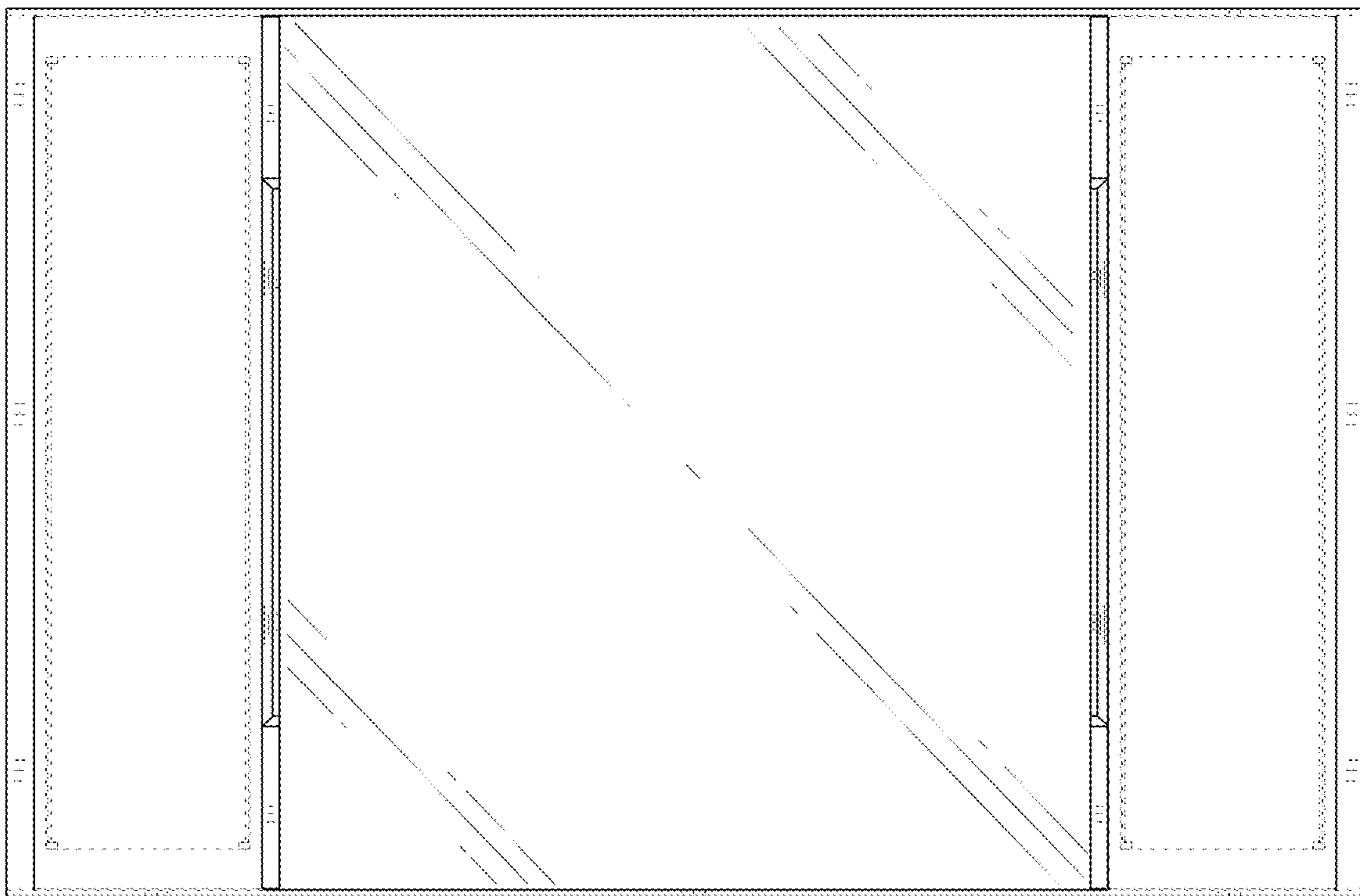


FIG. 7

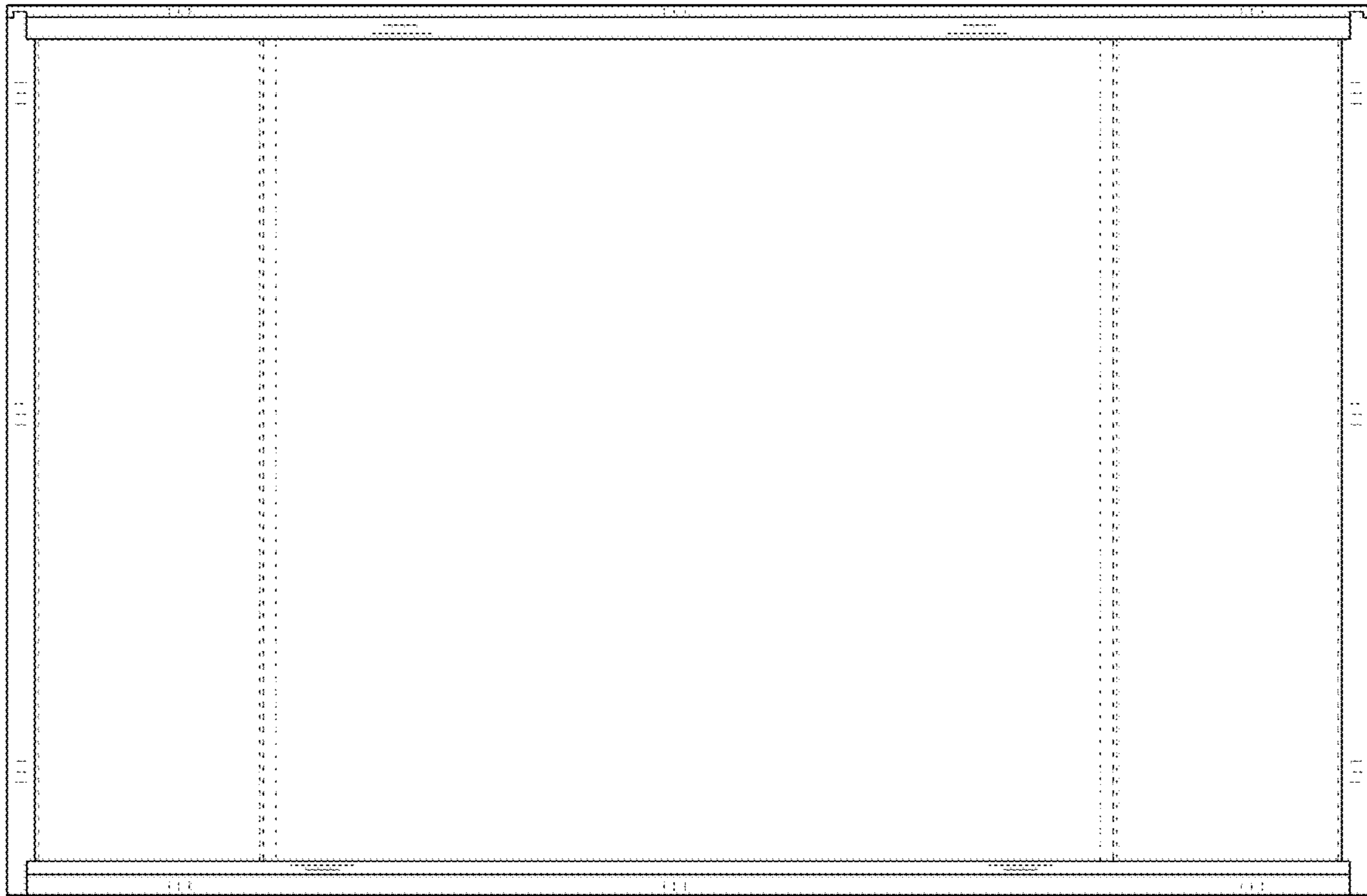


FIG. 8

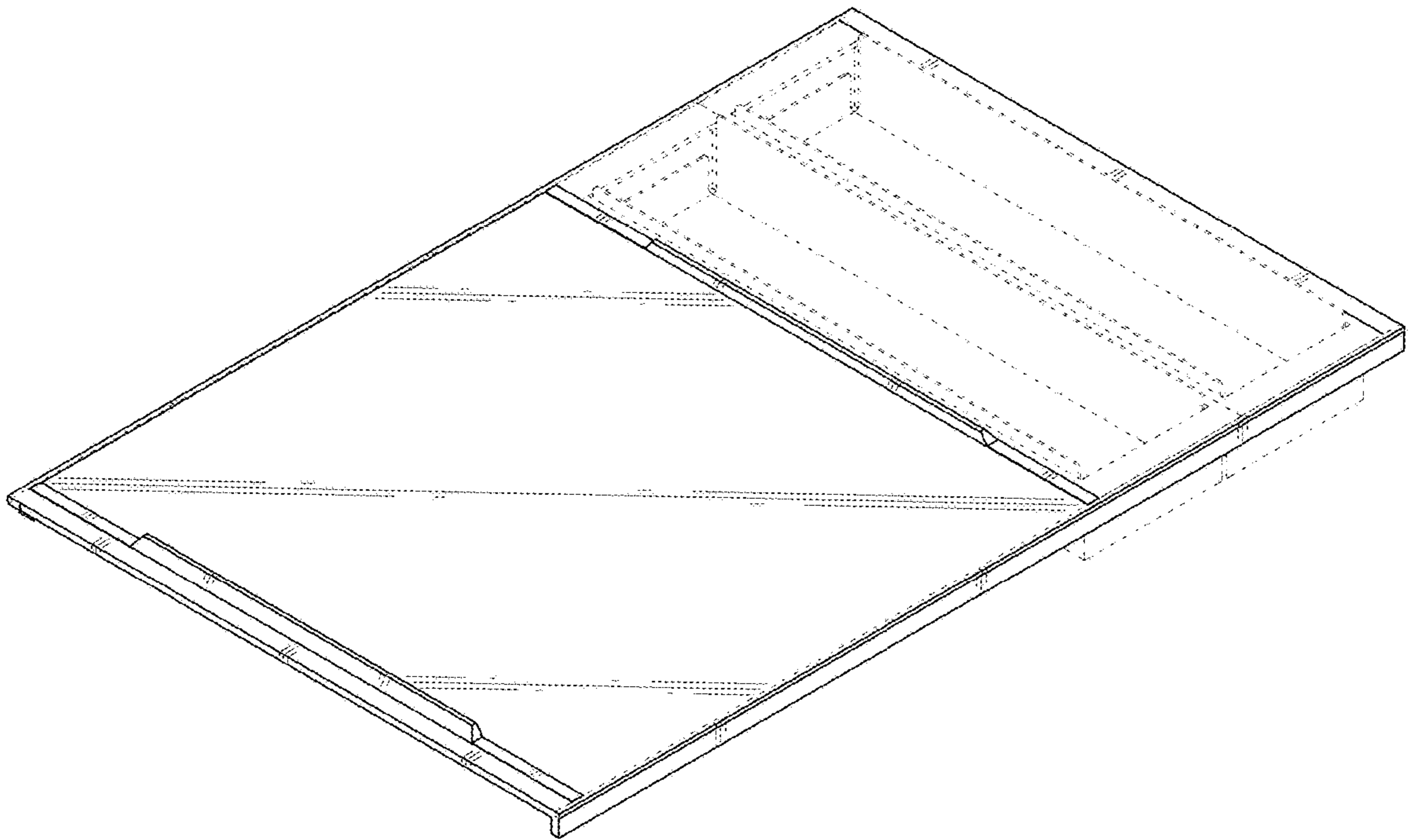


FIG. 9

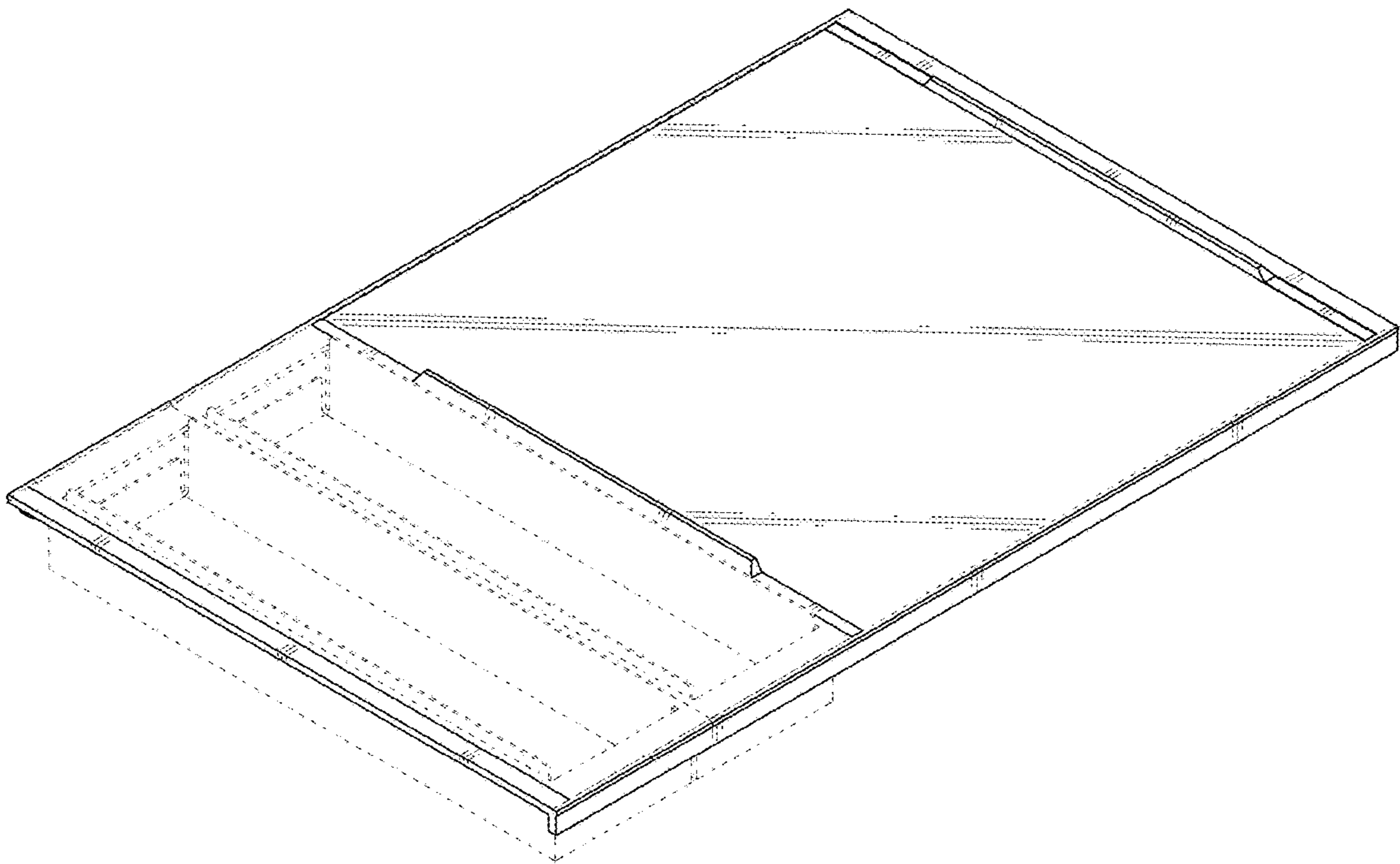


FIG. 10

