



US00D854588S

(12) **United States Design Patent** (10) **Patent No.:** **US D854,588 S**
Black (45) **Date of Patent:** **** Jul. 23, 2019**

(54) **PORTABLE BATTERY POWERED COOLING UNIT**

(71) Applicant: **Jay Black**, Escondido, CA (US)

(72) Inventor: **Jay Black**, Escondido, CA (US)

(73) Assignee: **BIOFRIDGE INC.**, Escondido, CA (US)

(**) Term: **15 Years**

(21) Appl. No.: **29/612,307**

(22) Filed: **Jul. 31, 2017**

(51) **LOC (11) Cl.** **15-07**

(52) **U.S. Cl.**
USPC **D15/81; D23/333**

(58) **Field of Classification Search**
USPC D15/79-91; D23/333, 335, 341, 342, D23/351, 353, 354, 355, 356, 359, 364, D23/365, 370, 385, 386, 388, 393
CPC F24F 1/00; F24F 1/0007; F24F 1/02; F24F 1/08; F24F 1/42; F24F 1/56; F24F 1/60; F25D 23/04; F25D 27/005; F25D 2201/10; F25D 2303/08222; F25D 2303/0843; F25D 2303/085; F25D 23/02; F25D 23/025; F25D 23/028; F25D 23/065; F25D 2400/361; F25D 2500/02; F25D 2500/06; F25D 2700/04
See application file for complete search history.

(56) **References Cited**

U.S. PATENT DOCUMENTS

D136,305 S	9/1943	Teeter	
2,522,623 A	9/1950	Likes et al.	
D188,018 S *	5/1960	Alger	D23/342
D190,213 S *	4/1961	Krausz	D23/342
D198,821 S *	8/1964	Hoyle	D23/351
D206,510 S *	12/1966	Walz et al.	D23/342

D256,587 S	8/1980	Tatsumi	
D285,692 S	9/1986	Albiez	
5,671,991 A	9/1997	Grant	
D440,987 S *	4/2001	Okamoto	D15/81
D450,820 S *	11/2001	Breshears	D23/342
D454,892 S	3/2002	Black et al.	
D547,849 S *	7/2007	Francisquini	D23/351
D616,081 S *	5/2010	Chiu	D23/333
D620,032 S *	7/2010	Kristiansen	D15/83
D635,655 S *	4/2011	Chen	D23/364
D701,888 S *	4/2014	Schumaker	D15/81
D735,781 S *	8/2015	Hwang	D15/81
D737,343 S *	8/2015	Rinderer	D15/81
D762,743 S *	8/2016	Fan	D15/81
D777,891 S *	1/2017	Kubota	D23/351
D807,929 S *	1/2018	Feng	D15/81

* cited by examiner

Primary Examiner — Natasha Vujcic

(74) *Attorney, Agent, or Firm* — Gary L. Eastman, Esq.; Eastman McCartney Dallmann LLP

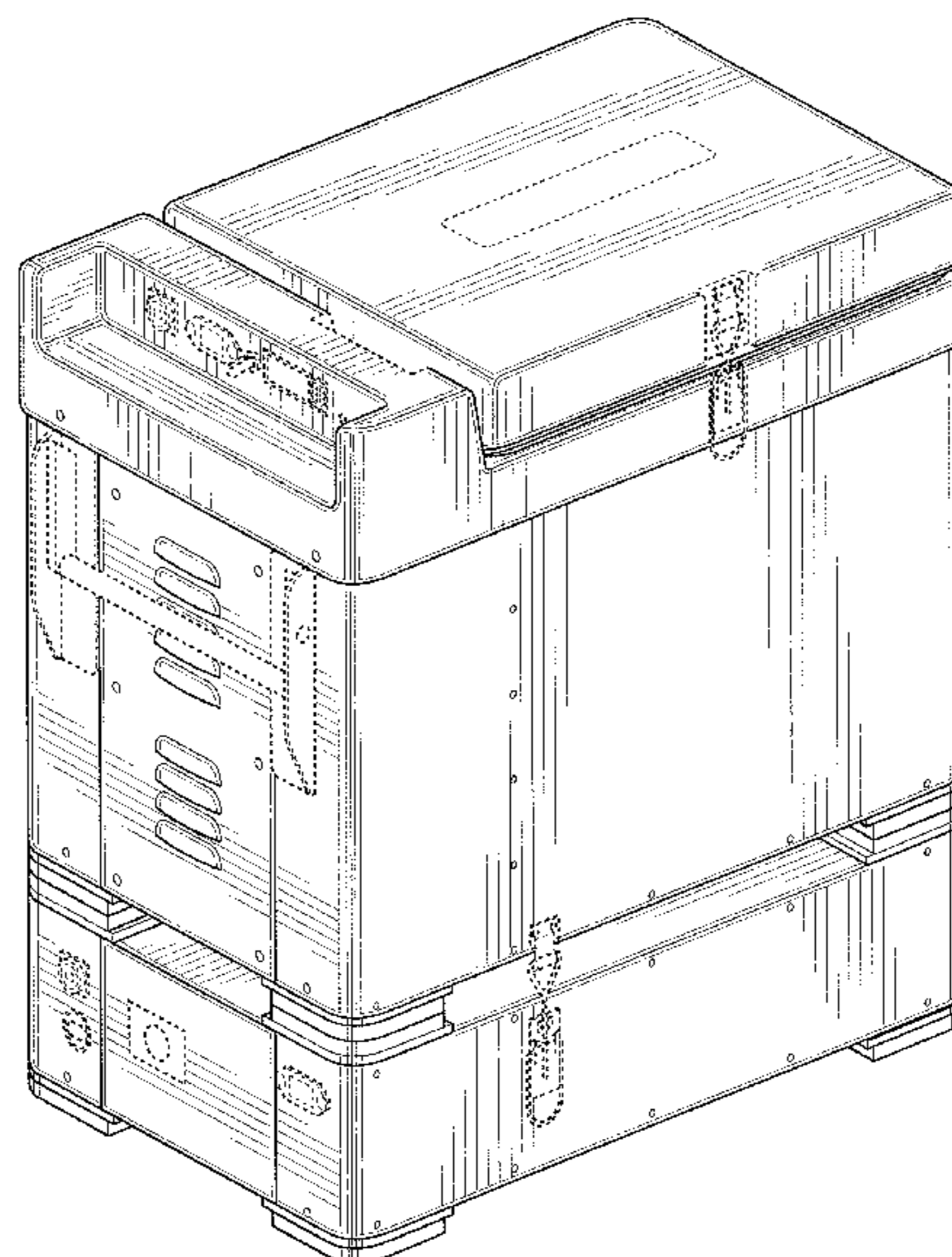
(57) **CLAIM**

The ornamental design for a portable battery powered cooling unit, as shown and described.

DESCRIPTION

FIG. 1 is a front perspective view of a portable battery powered cooling unit;
FIG. 2 is a rear perspective view thereof;
FIG. 3 is a front elevational view thereof;
FIG. 4 is a back elevational view thereof;
FIG. 5 is a left side elevational view thereof
FIG. 6 is a right side elevational view thereof;
FIG. 7 is a top plan view thereof; and,
FIG. 8 is a bottom plan view thereof.
The broken lines depict portions of the portable battery powered cooling unit and form no part of the claimed design.

1 Claim, 7 Drawing Sheets



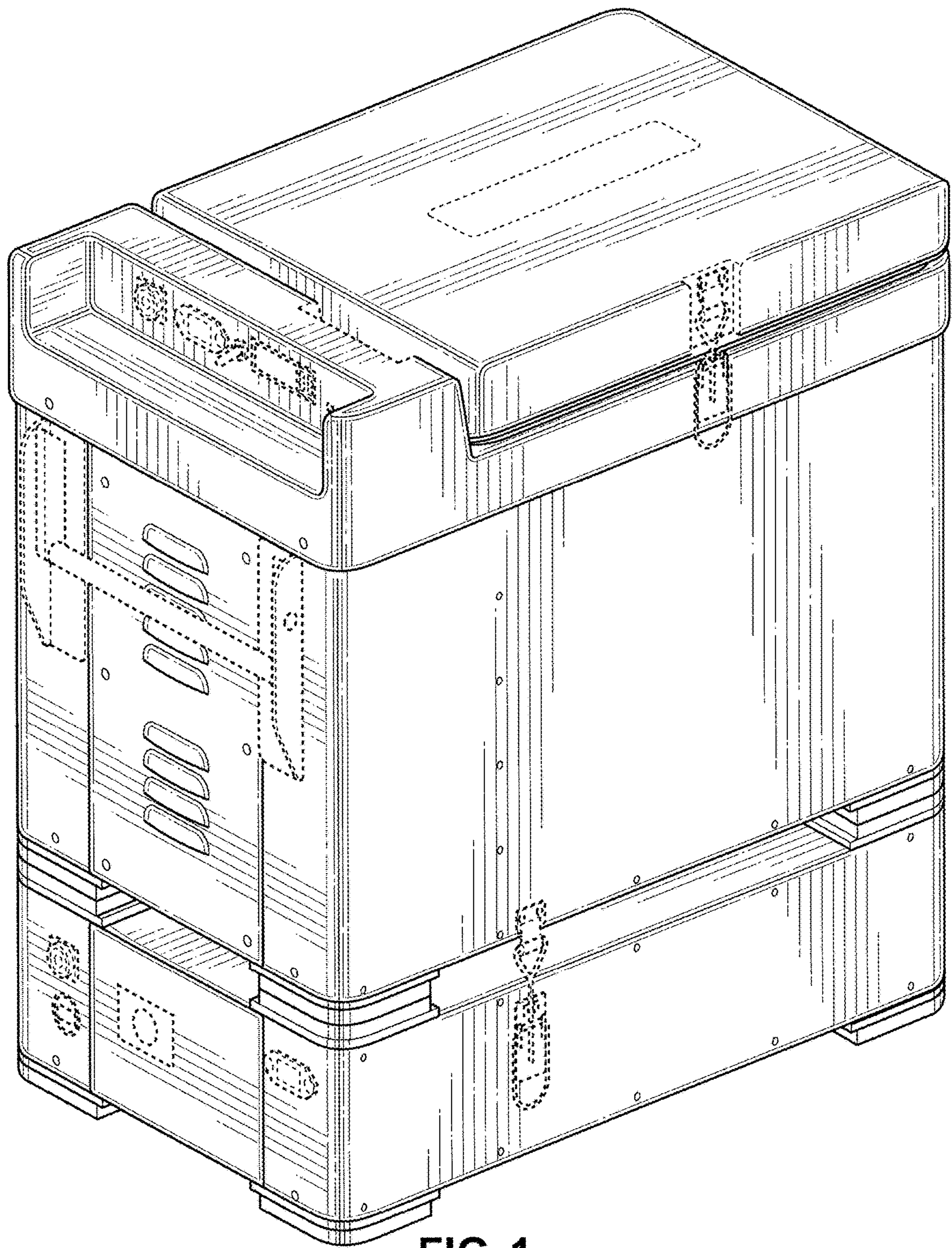


FIG. 1

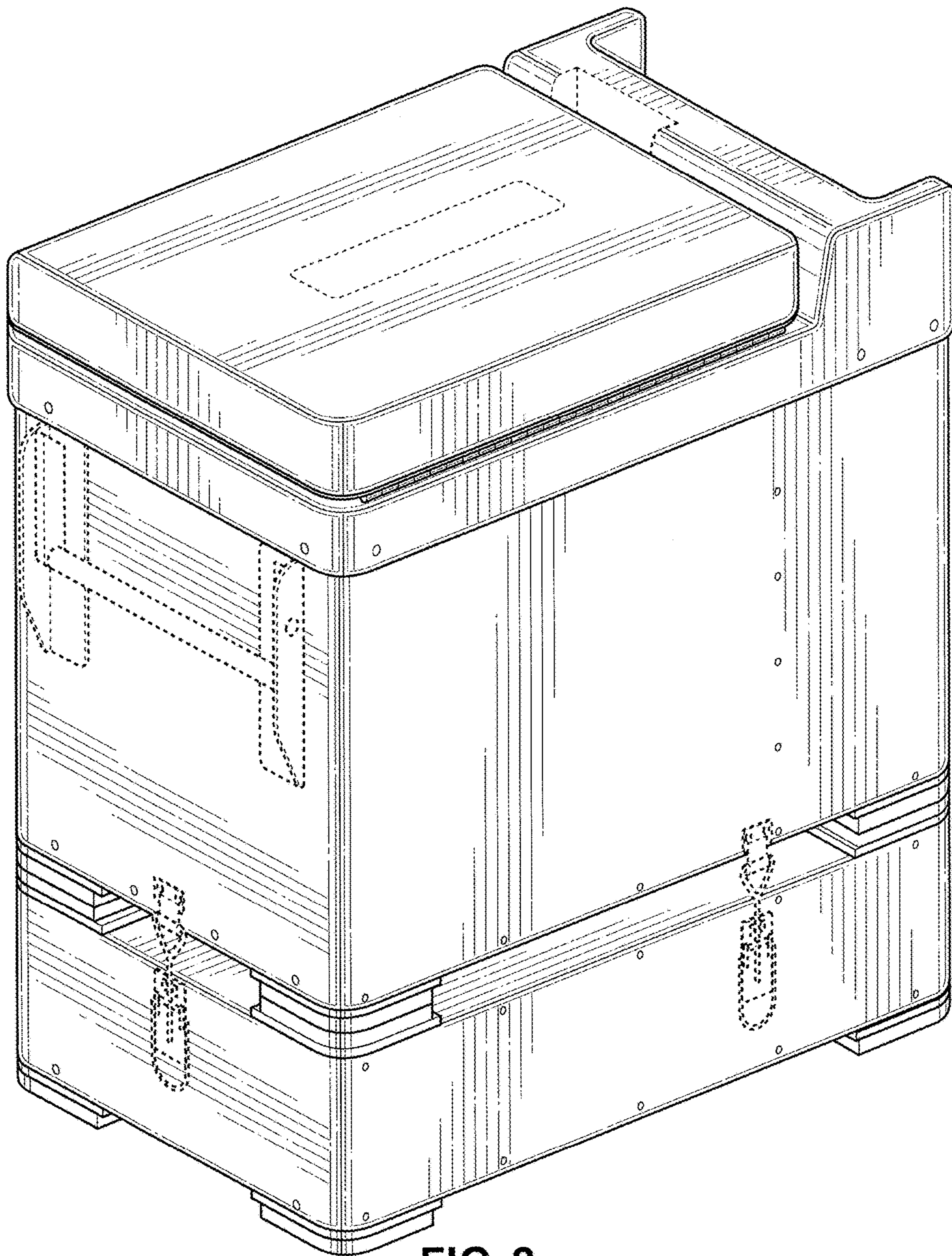


FIG. 2

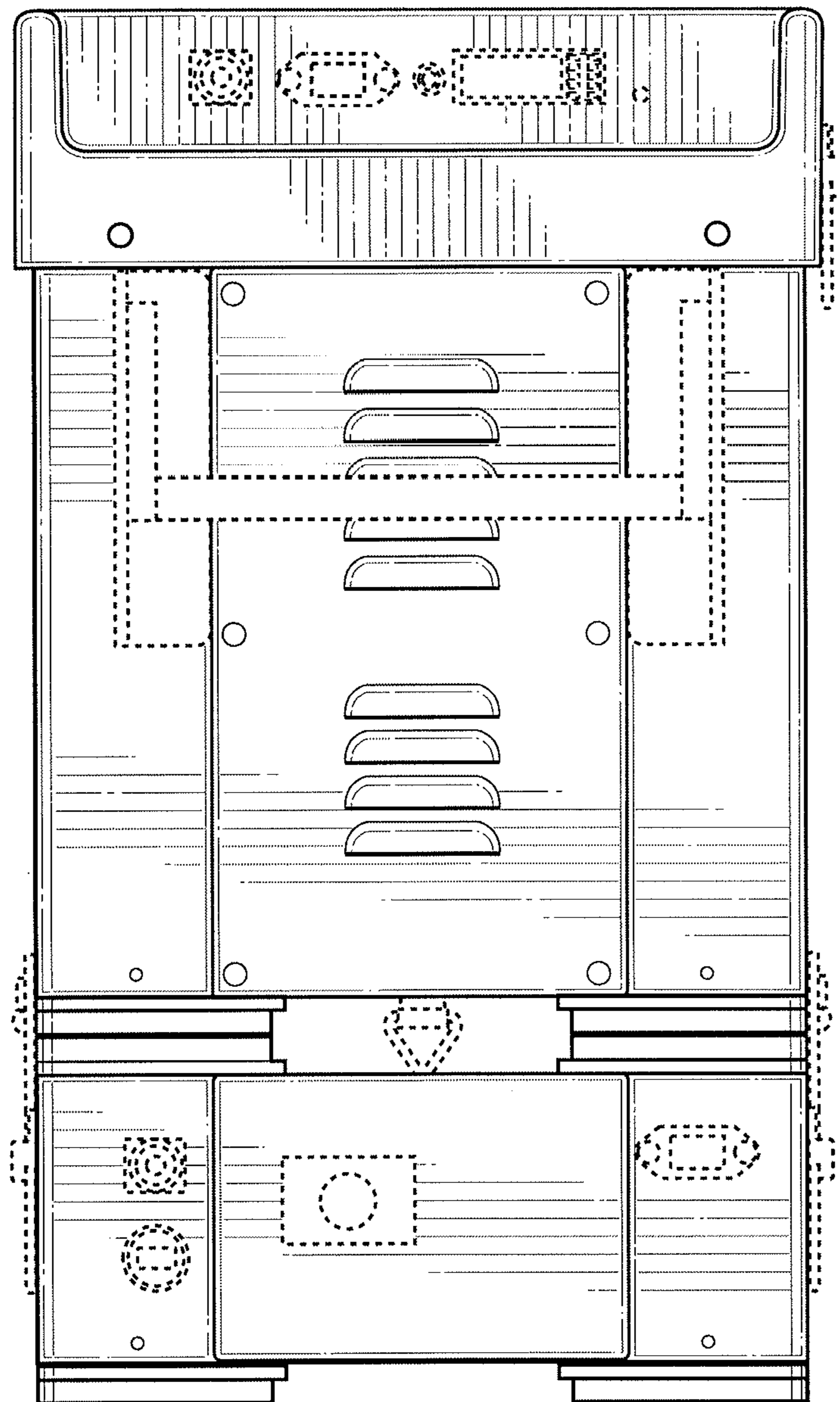


FIG. 3

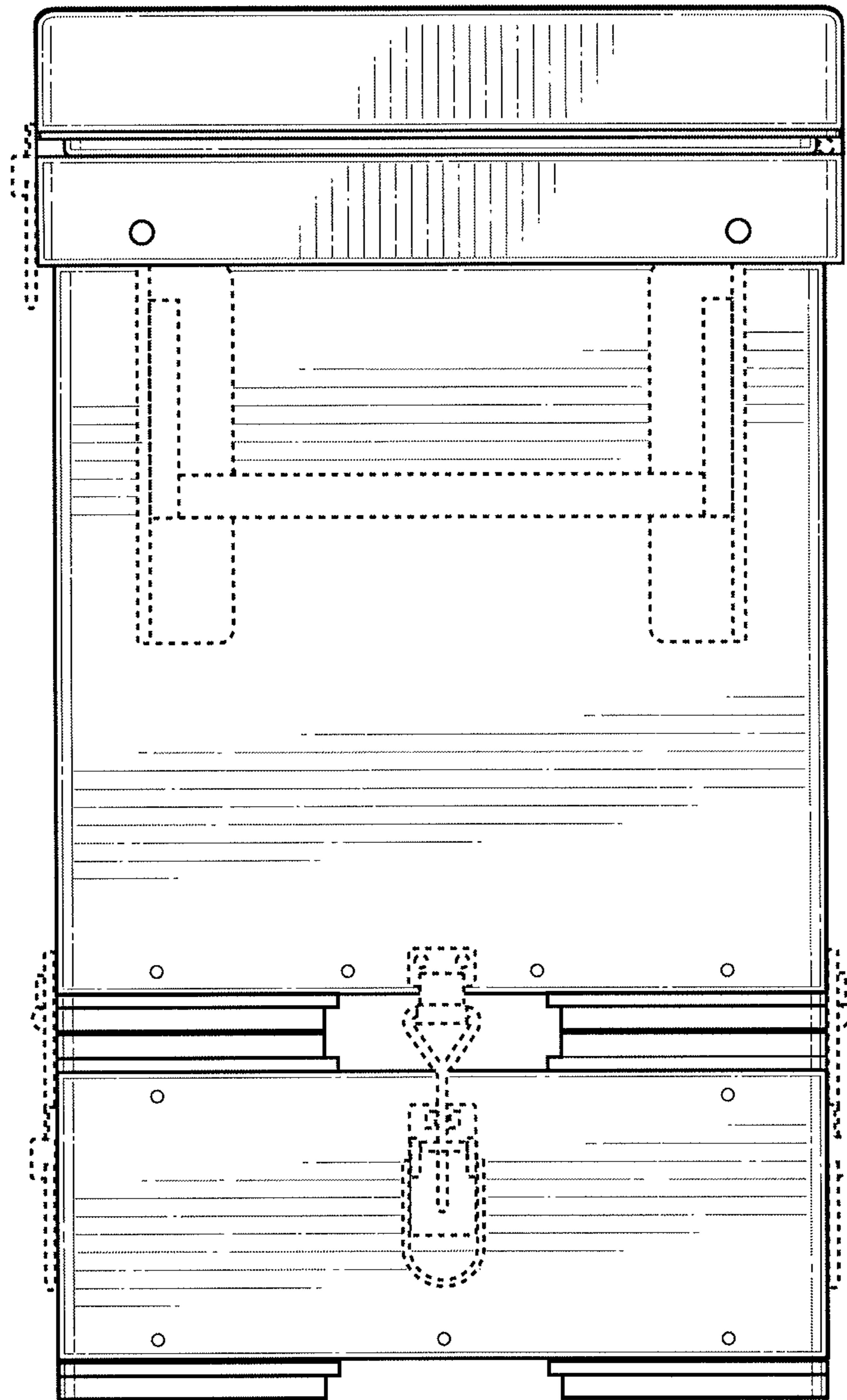


FIG. 4

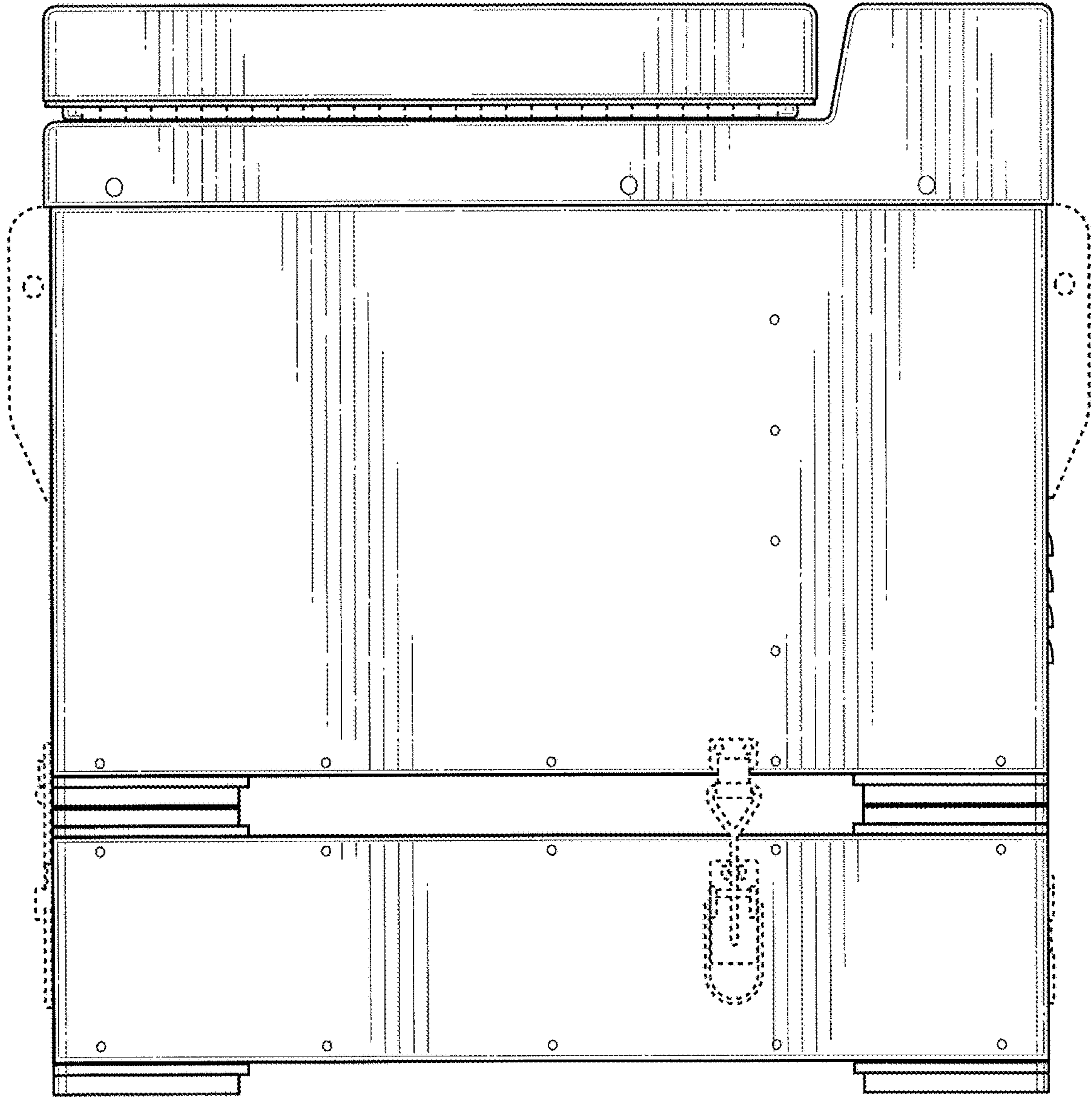


FIG. 5

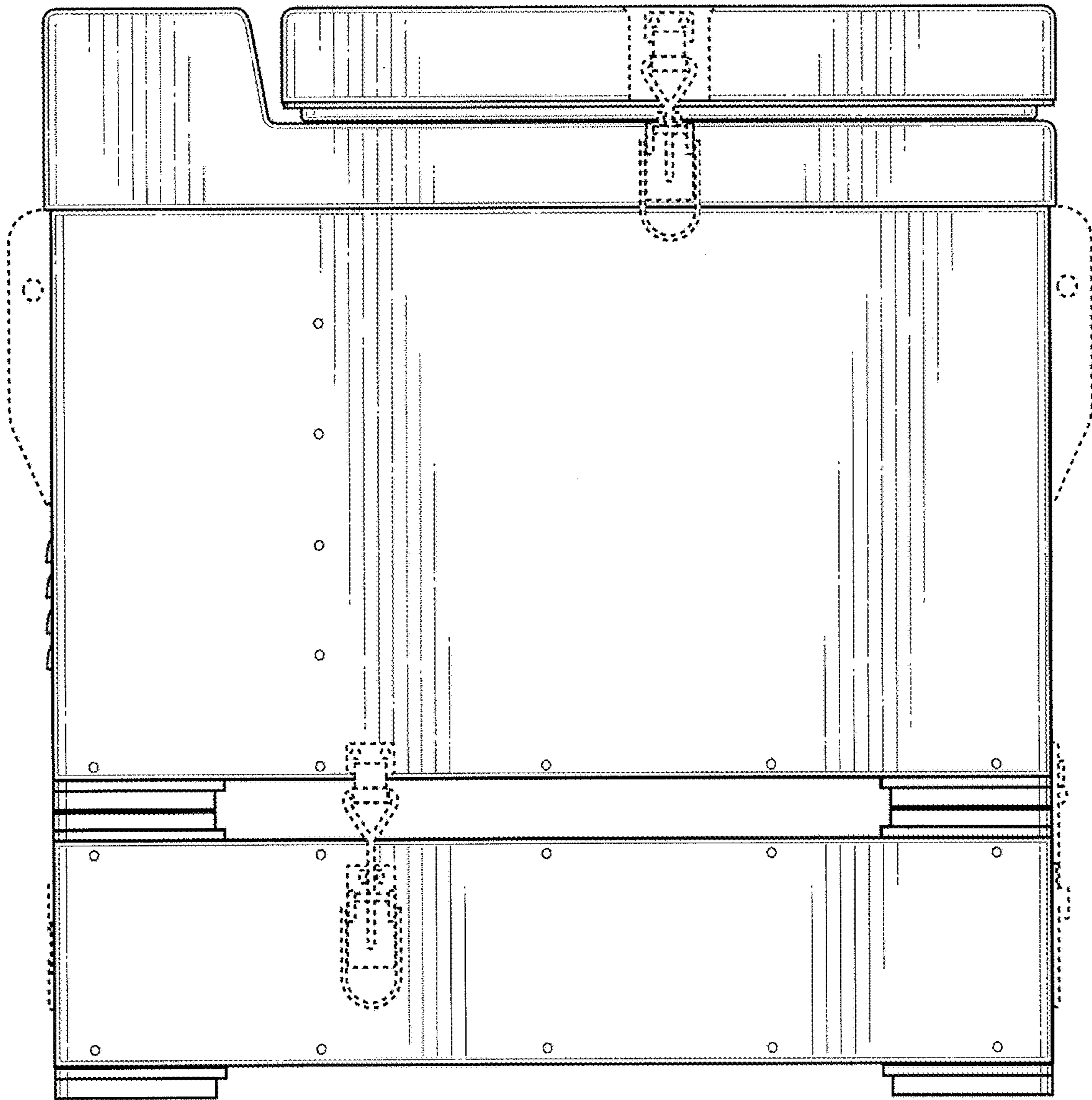


FIG. 6

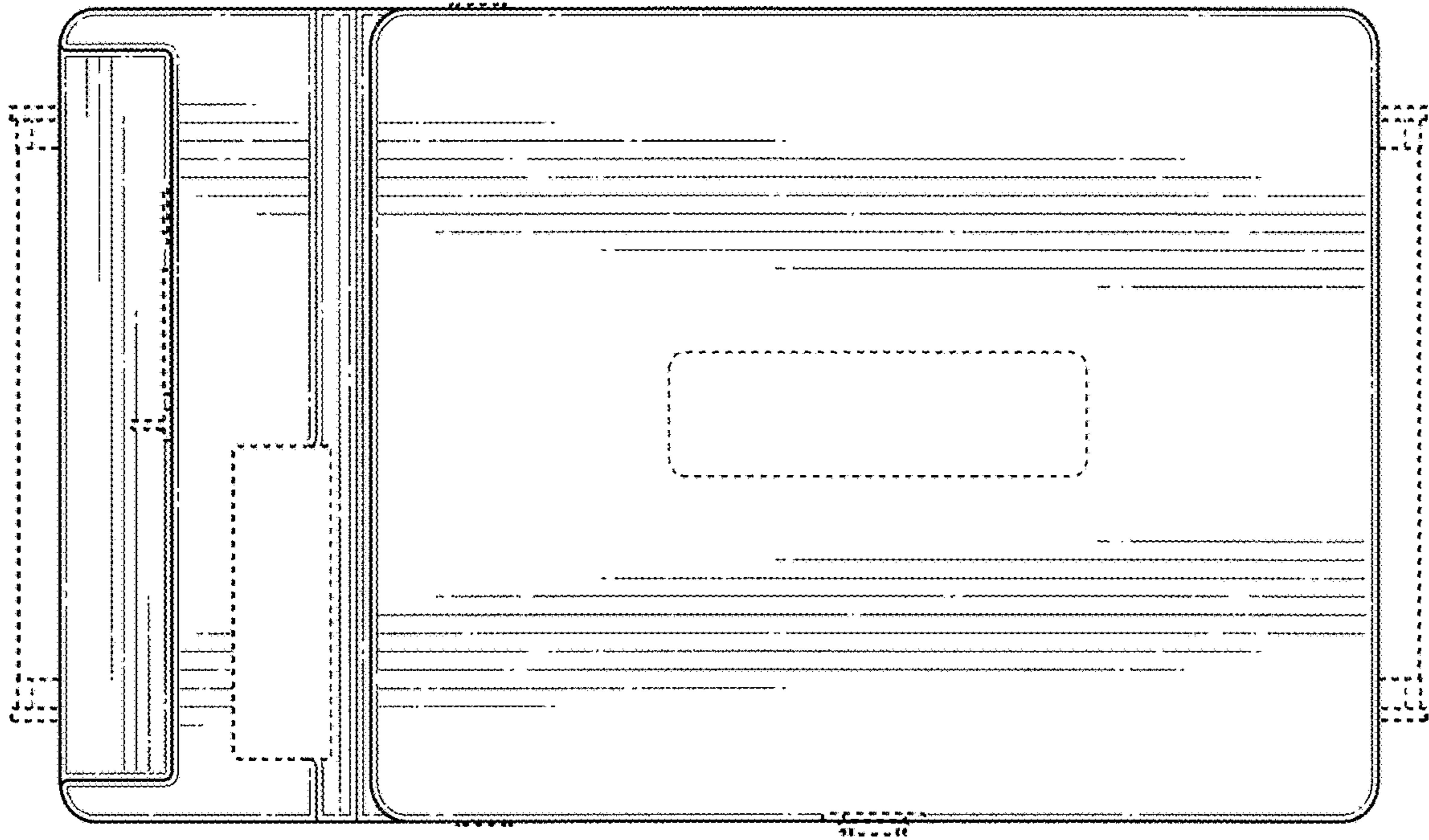


FIG. 7

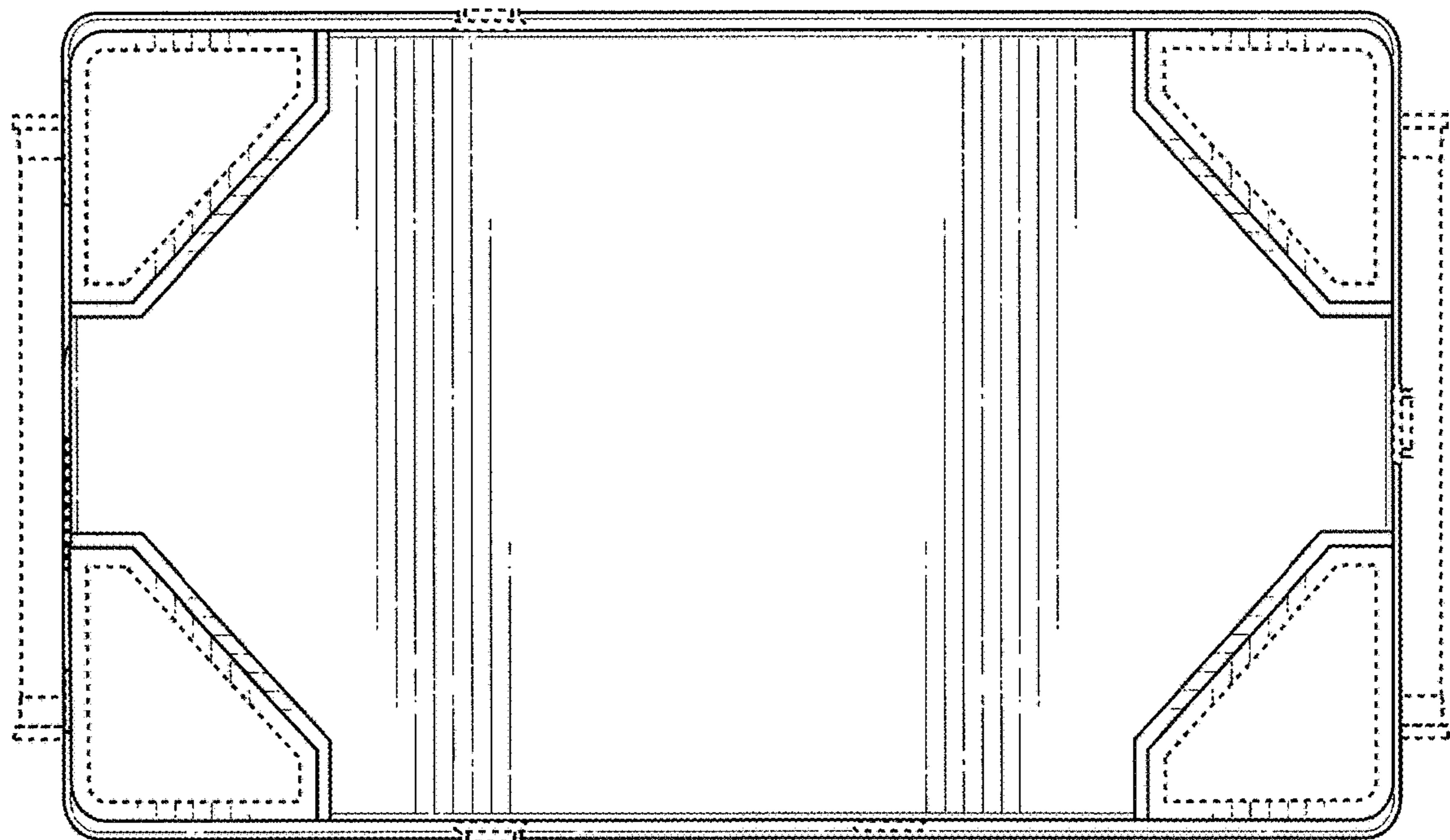


FIG. 8