



US00D854587S

(12) **United States Design Patent**
Ninomiya et al.

(10) **Patent No.:** **US D854,587 S**

(45) **Date of Patent:** **** Jul. 23, 2019**

(54) **CAB FOR CONSTRUCTION MACHINE**

(71) Applicant: **Hitachi Construction Machinery Co., Ltd.**, Taito-ku, Tokyo (JP)

(72) Inventors: **Atsushi Ninomiya**, Tokyo (JP); **Yusuke Daimon**, Tokyo (JP); **Katsumi Usami**, Tokyo (JP); **Shigehisa Hagura**, Tokyo (JP); **Ei Takahashi**, Ibaraki (JP); **Takeo Manabe**, Ibaraki (JP)

(73) Assignee: **Hitachi Construction Machinery Co., Ltd.**, Tokyo (JP)

(**) Term: **15 Years**

(21) Appl. No.: **29/648,587**

(22) Filed: **May 22, 2018**

(30) **Foreign Application Priority Data**

Nov. 22, 2017 (JP) 2017-026085

(51) **LOC (11) Cl.** **15-03**

(52) **U.S. Cl.**
USPC **D15/30**

(58) **Field of Classification Search**
USPC D15/28, 30, 31, 22-26; D34/37;
180/89.11, 89.12, 89.13, 89.19, 900
CPC .. B66C 13/54; E02F 9/16; E02F 9/163; E02F
9/06; B62D 33/0617; B62D 49/00-085;
B62D 33/06-073; B60J 7/00; B60J 1/004;
B60J 1/02; B60J 1/04; B60J 5/0487
See application file for complete search history.

(56) **References Cited**

U.S. PATENT DOCUMENTS

D398,616 S * 9/1998 Kwak D15/30
D455,763 S * 4/2002 Brandenburg, III D15/30

D463,462 S * 9/2002 Yanagida D15/30
D471,213 S * 3/2003 Kwak D15/30
D481,044 S * 10/2003 Tokach D15/30
D636,795 S * 4/2011 Yamamoto D15/28
D637,630 S * 5/2011 Yamamoto D15/30
D642,205 S * 7/2011 Yamamoto D15/30
D660,881 S * 5/2012 Bohme D15/30
D678,360 S * 3/2013 Kozai D15/30
D684,607 S * 6/2013 Hagura D15/30
D707,728 S * 6/2014 Imashige D15/30
D751,123 S * 3/2016 Kazakoff D15/30
D773,537 S * 12/2016 Fiser D15/30
D775,244 S * 12/2016 Hart D15/30
D780,232 S * 2/2017 Saari D15/30
D780,235 S * 2/2017 Kim D15/30
D814,530 S * 4/2018 Takaoka D15/30
D835,160 S * 12/2018 Jilbert D15/25

FOREIGN PATENT DOCUMENTS

JP D 1367417 S 8/2012

* cited by examiner

Primary Examiner — Mark A Goodwin

(74) *Attorney, Agent, or Firm* — Crowell & Moring LLP

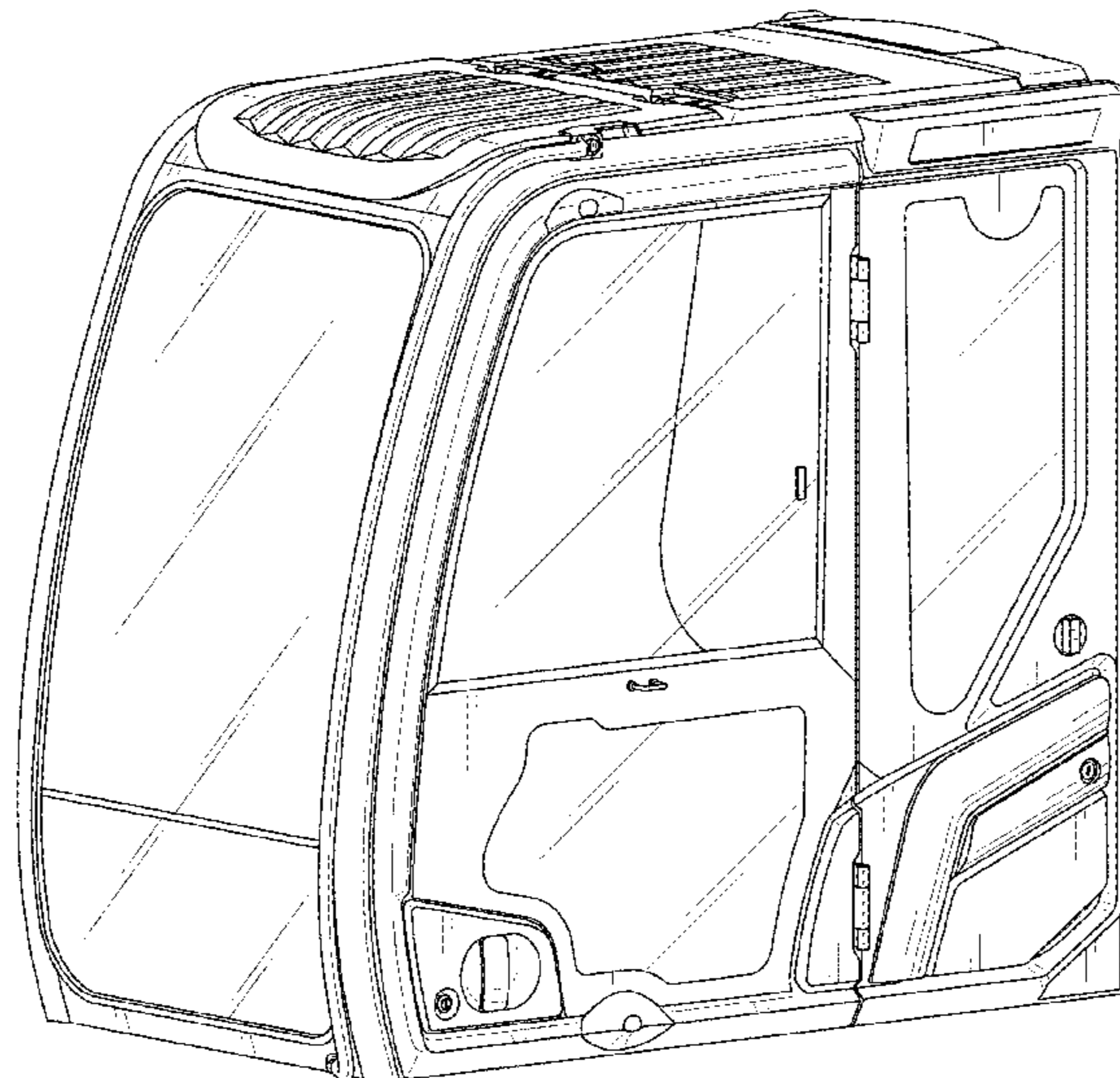
(57) **CLAIM**

The ornamental design for a cab for construction machine, as shown and described.

DESCRIPTION

FIG. 1 is a front, top and left side perspective view of a cab for construction machine according to the design;
FIG. 2 is a front elevational view thereof;
FIG. 3 is a left side elevational view thereof;
FIG. 4 is a right side elevational view thereof;
FIG. 5 is a top plan view thereof;
FIG. 6 is a bottom plan view thereof; and,
FIG. 7 is a rear elevational view thereof.

1 Claim, 5 Drawing Sheets



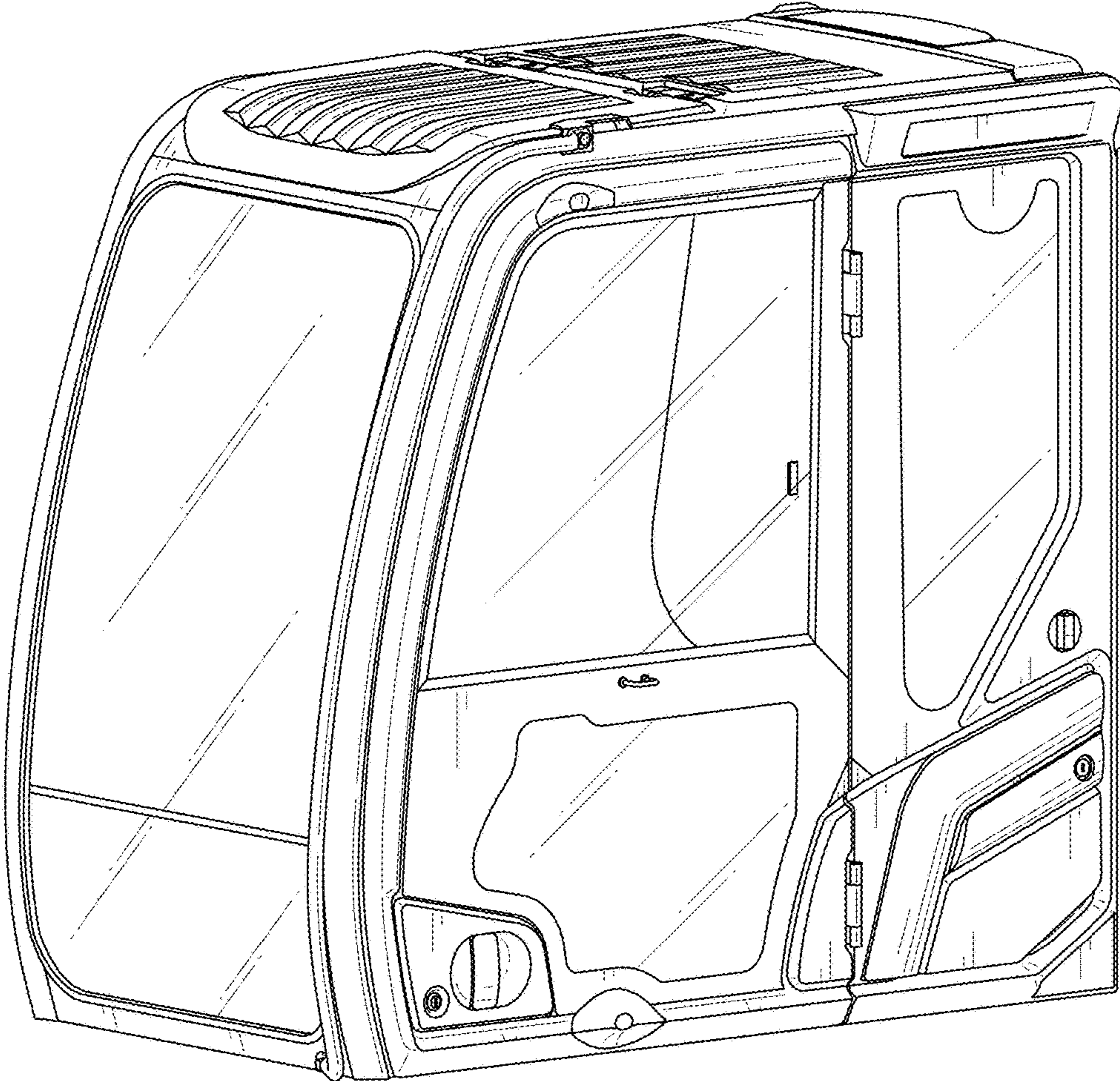


FIG. 1

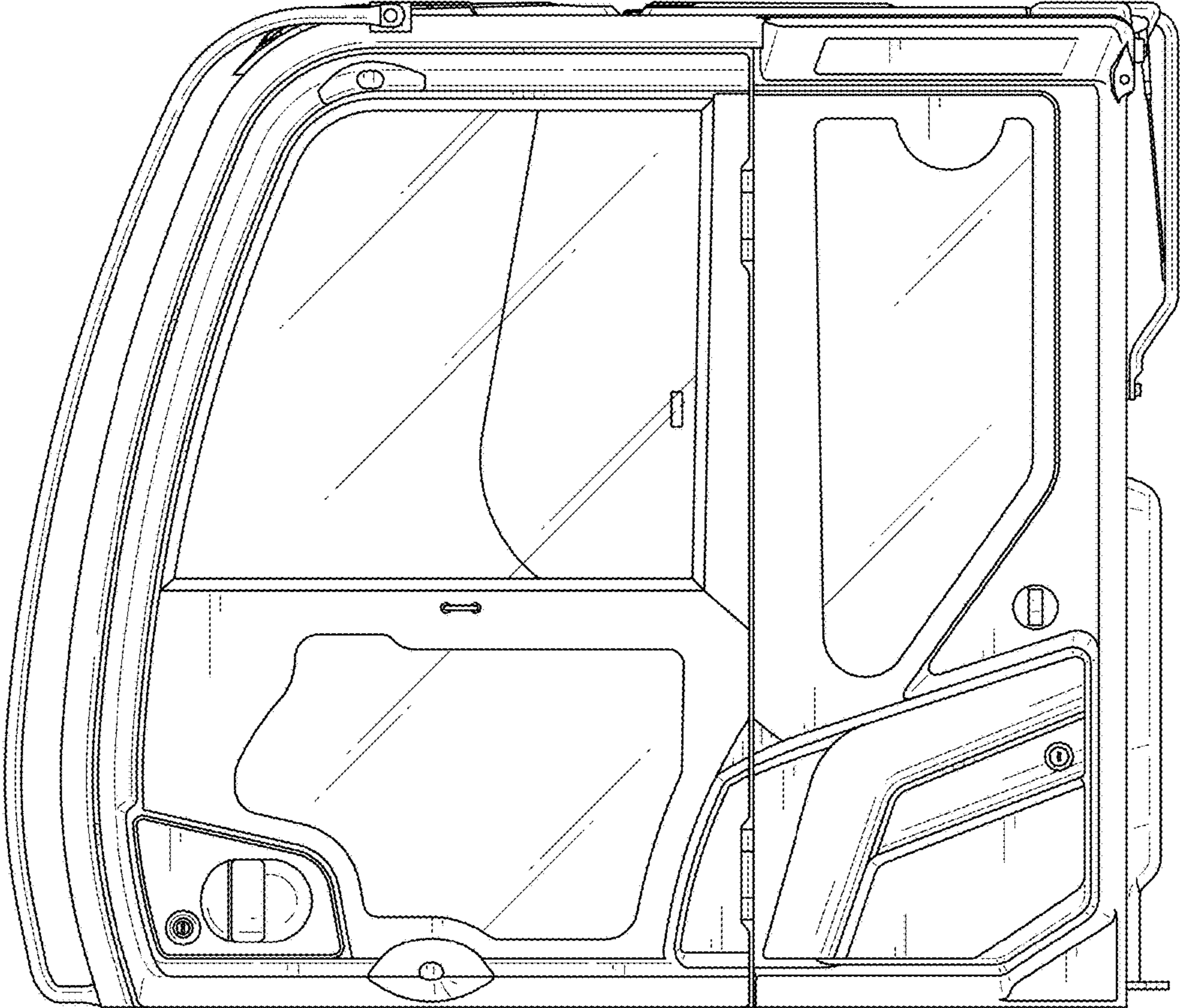


FIG. 2

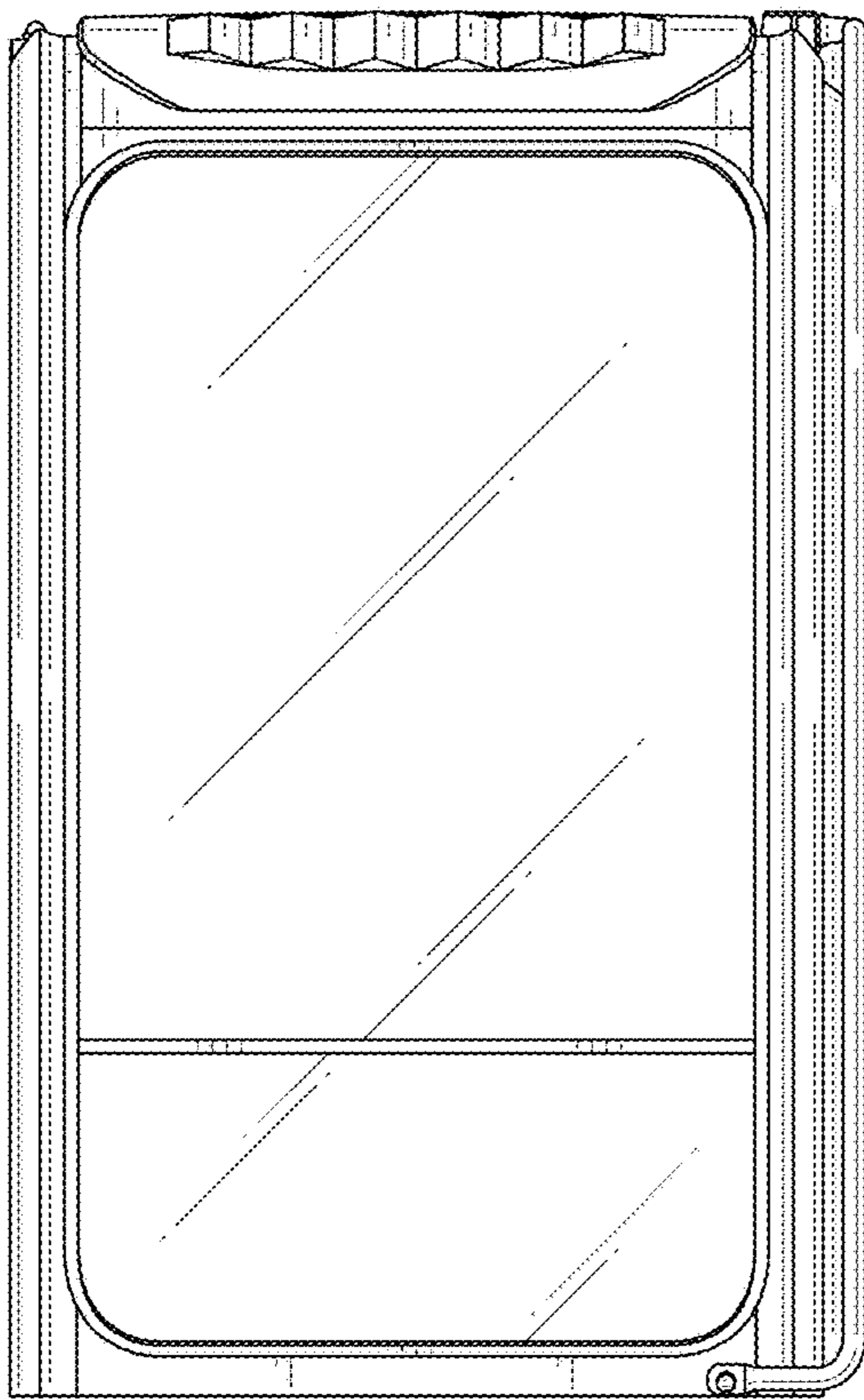


FIG. 3

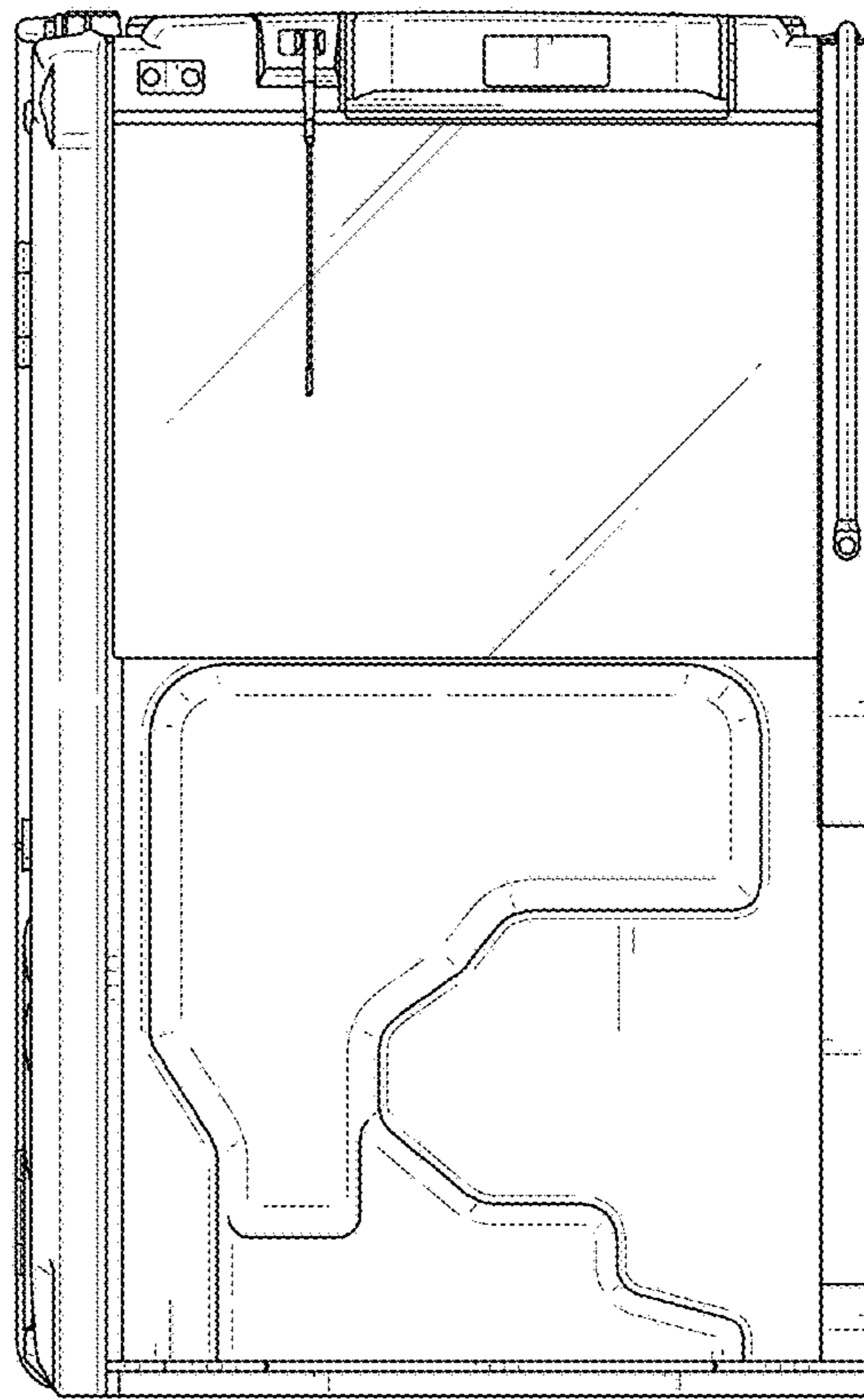


FIG. 4

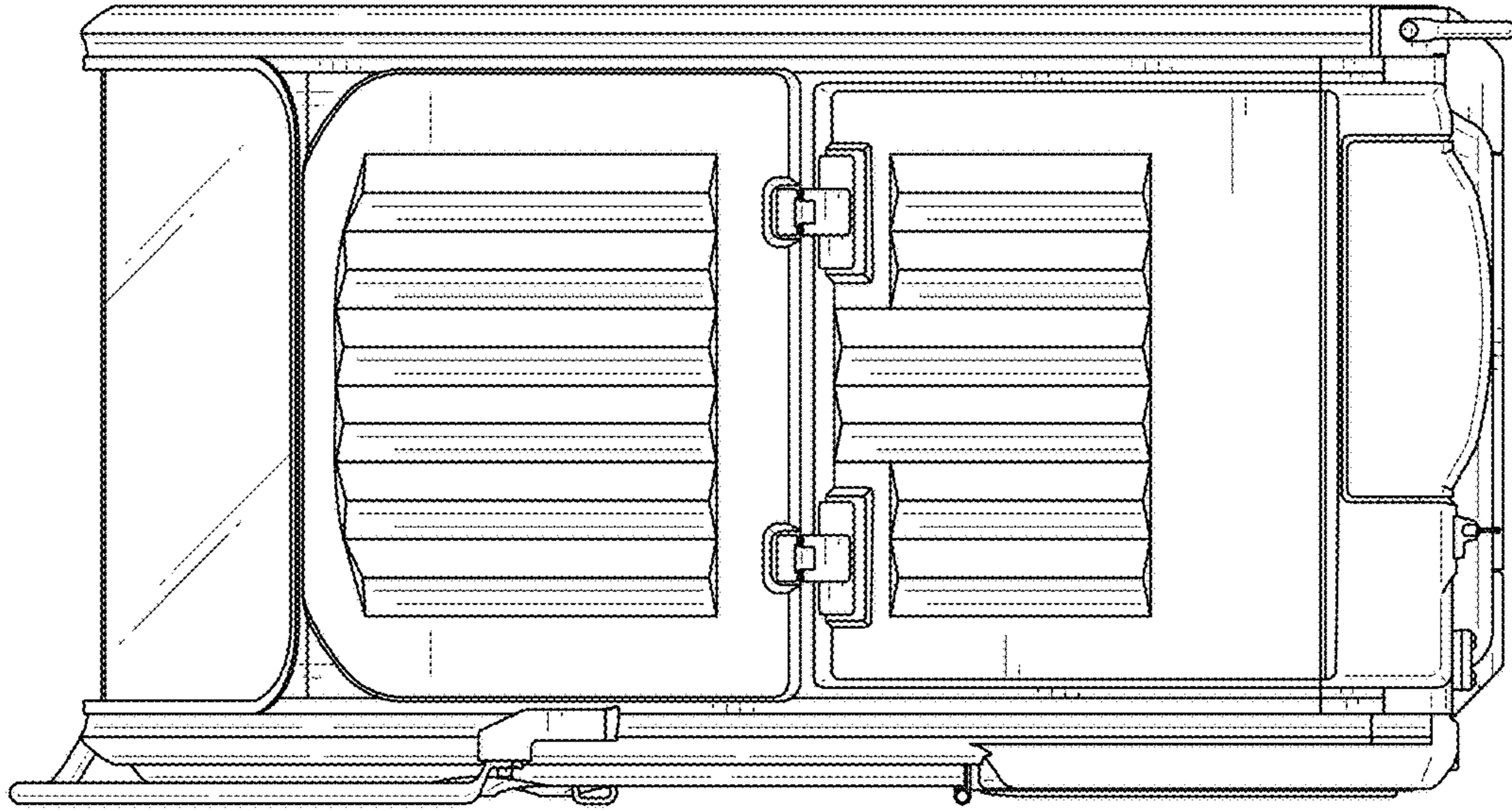


FIG. 5

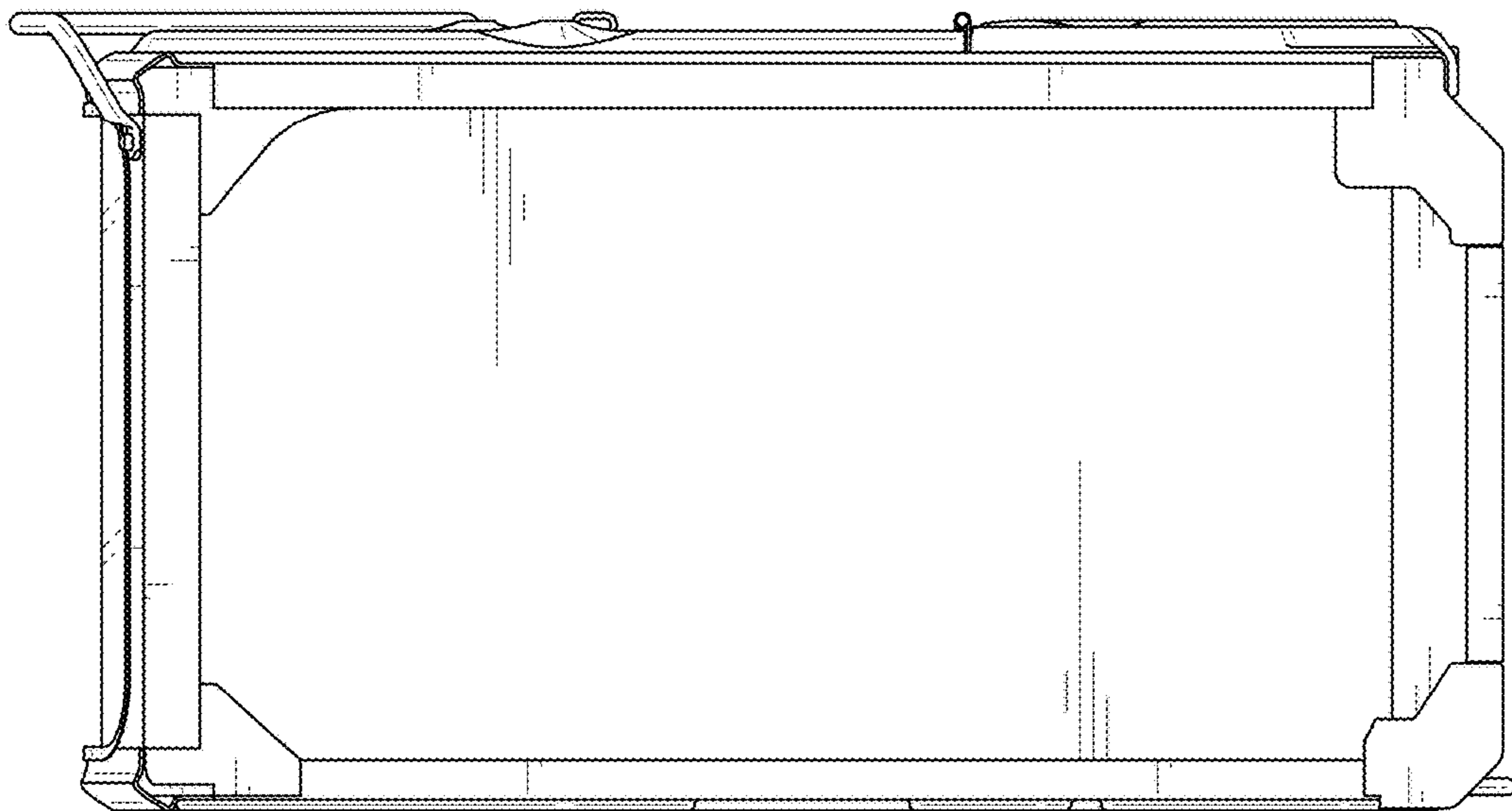


FIG. 6

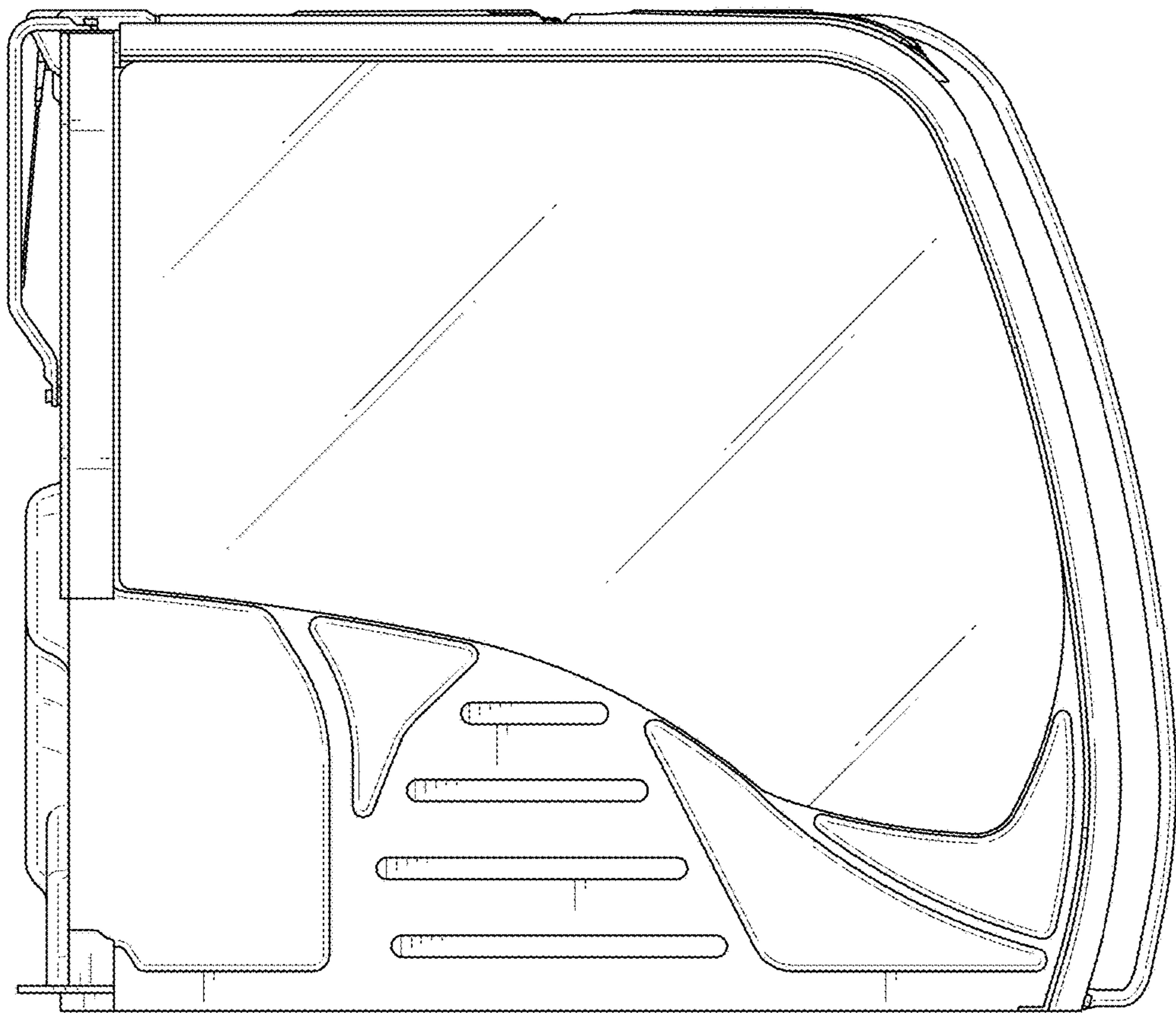


FIG. 7