



US00D854585S

(12) **United States Design Patent** (10) **Patent No.:** **US D854,585 S**
Bindhammer (45) **Date of Patent:** **** Jul. 23, 2019**

(54) **COMPRESSOR**
(71) Applicant: **SCHEPPACH FABRIKATION VON HOLZBEARBEITUNGSMASCHINEN GMBH**, Ichenhausen (DE)
(72) Inventor: **Markus Bindhammer**, Friedberg (DE)
(73) Assignee: **Scheppach Fabrikation von Holzbearbeitungsmaschinen GmbH**, Ichenhausen (DE)
(**) Term: **15 Years**

D482,371 S *	11/2003	Buck	D15/9
D499,747 S *	12/2004	Buck	D15/9
D539,310 S *	3/2007	Matsuoka	D15/9
D541,303 S *	4/2007	Drew	D15/5
D541,306 S *	4/2007	Welsh	D15/9
D553,158 S *	10/2007	Caito	D15/9
D603,871 S *	11/2009	Steinfels	D15/7
D604,746 S *	11/2009	Nishido	D15/7
D664,996 S *	8/2012	Hsiao	D15/9
D680,555 S *	4/2013	Craig	D15/7
D680,556 S *	4/2013	Craig	D15/7
D691,639 S *	10/2013	Hirai	D15/7
D710,902 S *	8/2014	Vintzel	D15/9
D710,903 S *	8/2014	Vintzel	D15/9
D776,168 S *	1/2017	Balma	D15/9
D806,135 S *	12/2017	Wood	D15/9
D806,753 S *	1/2018	Wood	D15/7

(Continued)

(21) Appl. No.: **35/504,245**
(22) Filed: **Dec. 6, 2017**

Primary Examiner — Richard E Chilcot
(74) *Attorney, Agent, or Firm* — Ewers & Hasselmann PLLC

(80) **Hague Agreement Data**
Int. Filing Date: **Dec. 6, 2017**
Int. Reg. No.: **DM/098943**
Int. Reg. Date: **Dec. 6, 2017**
Int. Reg. Pub. Date: **Dec. 29, 2017**

(57) **CLAIM**
The ornamental design for the compressor, as shown and described.

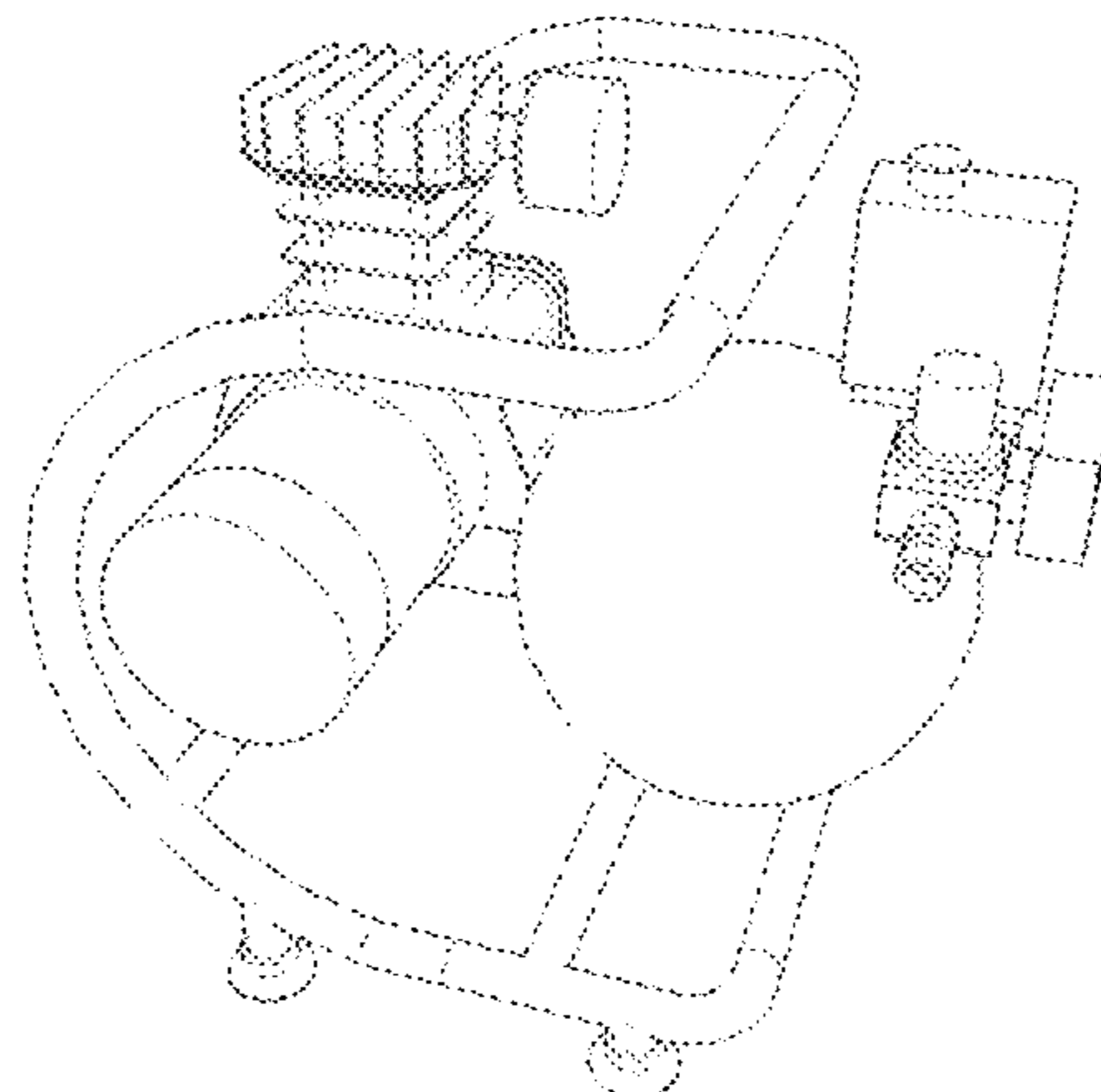
(51) **LOC (11) Cl.** **15-02**
(52) **U.S. Cl.**
USPC **D15/9**
CPC **F02M 37/04** (2013.01)
(58) **Field of Classification Search**
USPC D15/7-9; D23/231, 225, 232; 417/60, 417/235, 265, 321, 355, 358, 363, 359, 417/410.1, 415-416, 405, 900, 269, 539, 417/234; 60/408, 412; 184/26-37; 418/140-147; 123/495, 509; 137/565.34
CPC F02M 37/04; F02M 37/14; F04B 53/92; F04B 1/005
See application file for complete search history.

DESCRIPTION

1., 3., and 4. Compressors
1.1 : Perspective
1.2 : Perspective
1.3 : Front
1.4 : Back
1.5 : Top
1.6 : Right
1.7 : Left
3.1 : Exploded
3.2 : Enlarged
3.3 : Top
4.1 : Exploded
4.2 : Enlarged
4.3 : Top
The designs relate to compressors with ball-shaped tanks; in designs **3** and **4**, each tank is provided with an overcoat.

(56) **References Cited**
U.S. PATENT DOCUMENTS
D454,357 S * 3/2002 Diels D15/7
D461,196 S * 8/2002 Buck D15/9

1 Claim, 13 Drawing Sheets



(56)

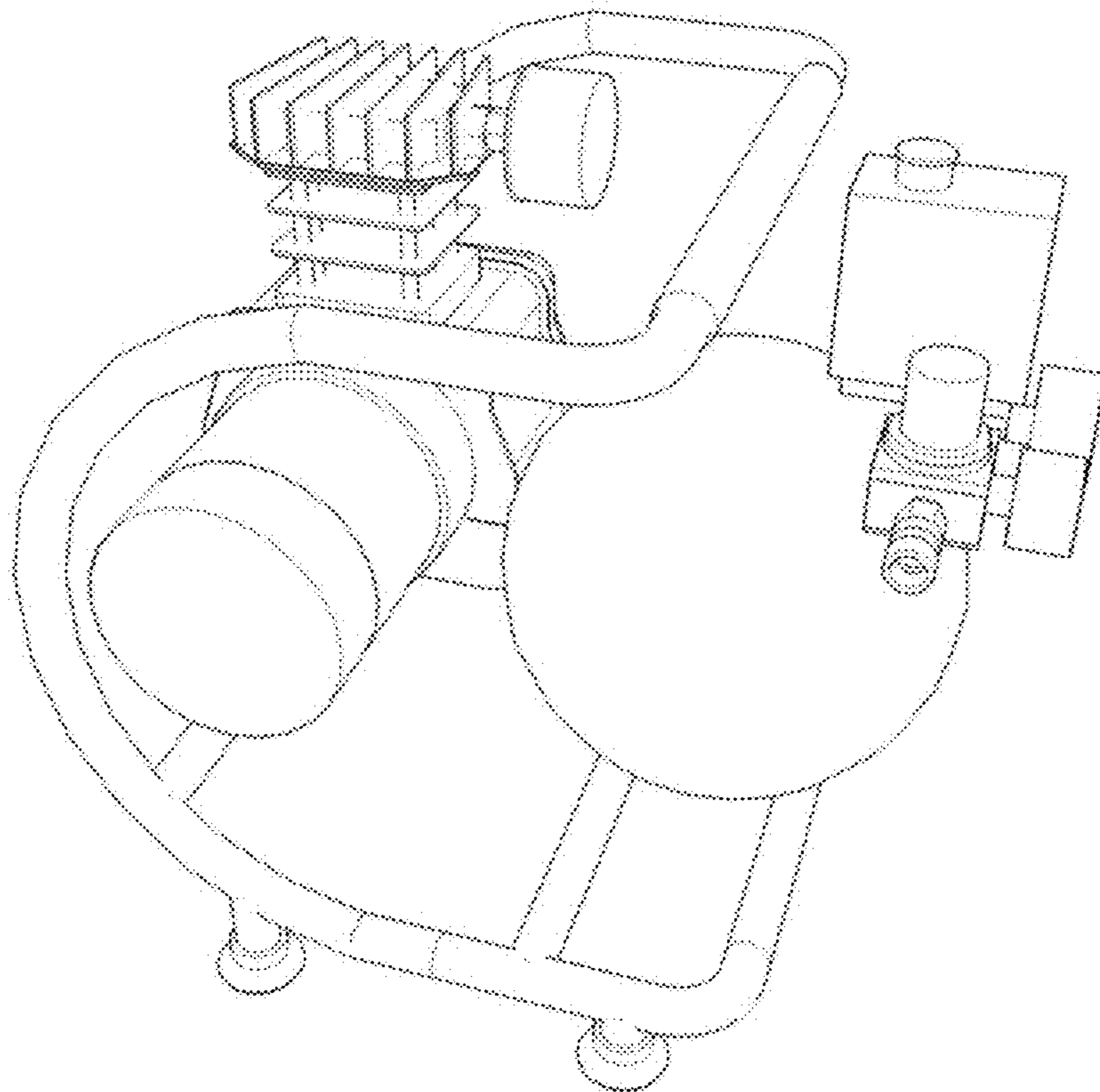
References Cited

U.S. PATENT DOCUMENTS

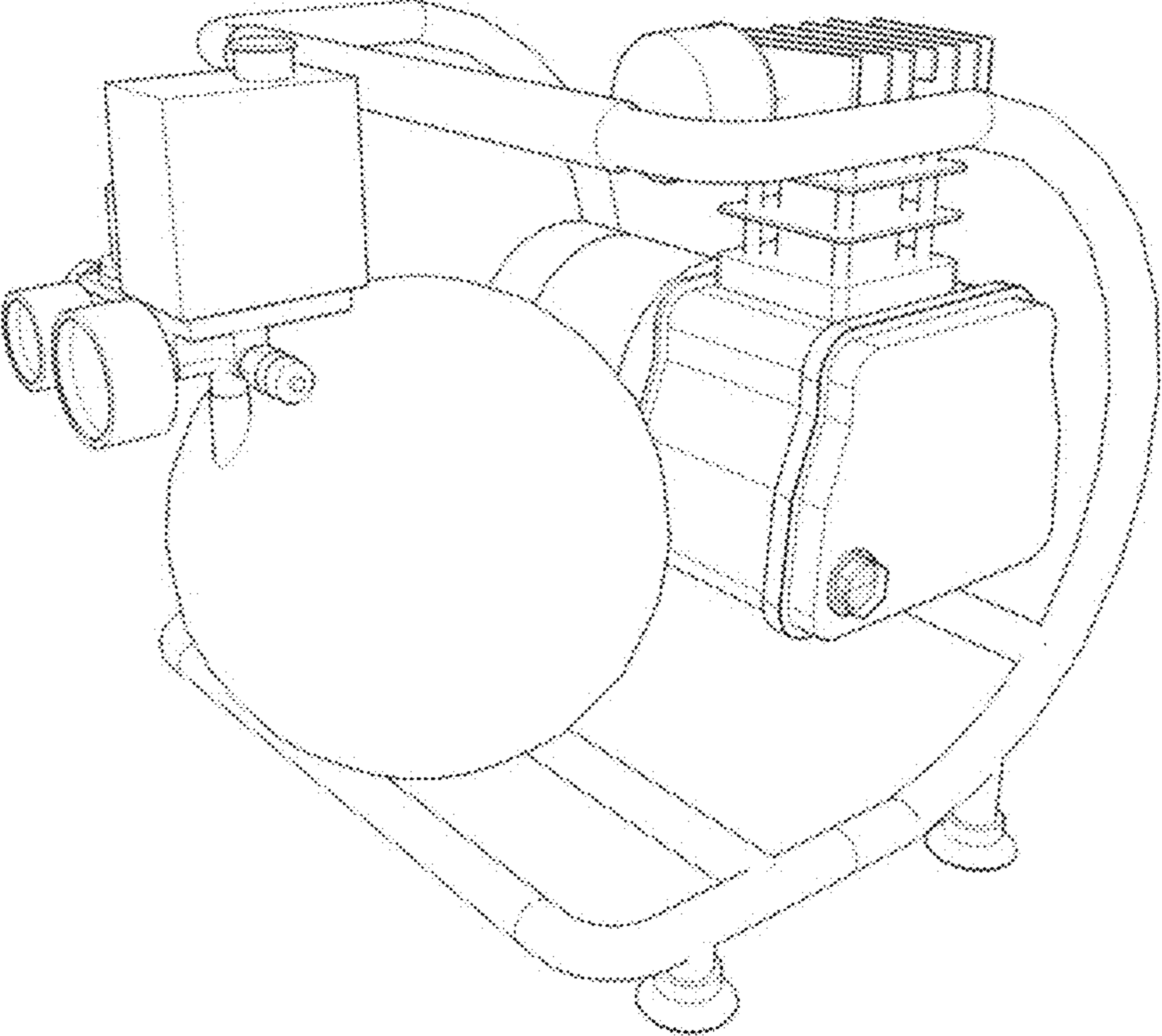
D806,755 S	*	1/2018	Wood	D15/9
D829,772 S	*	10/2018	Blenkush	D15/13
D832,892 S	*	11/2018	Wood	D15/9
D839,312 S	*	1/2019	Bader	D15/7

* cited by examiner

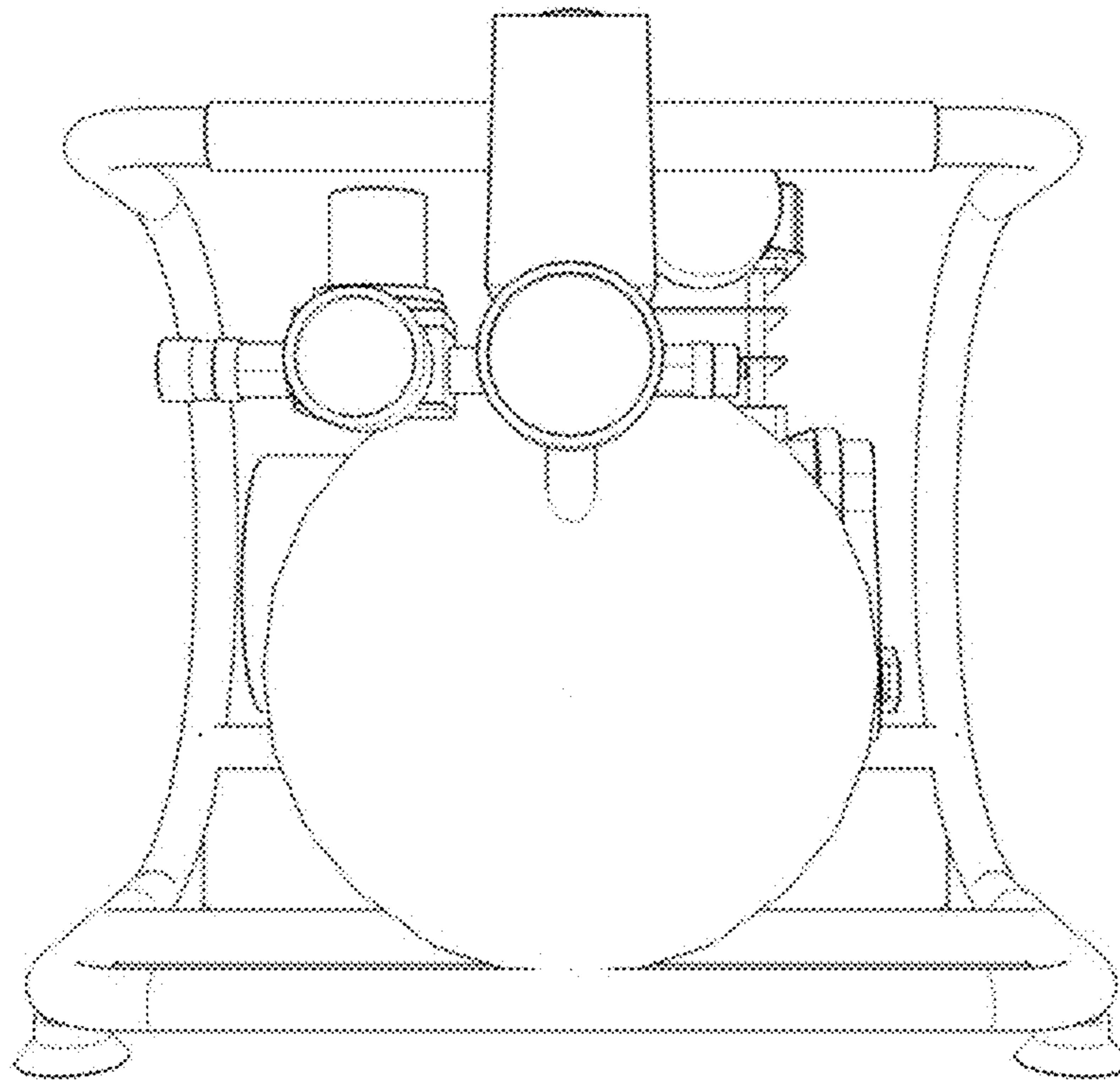
1.1



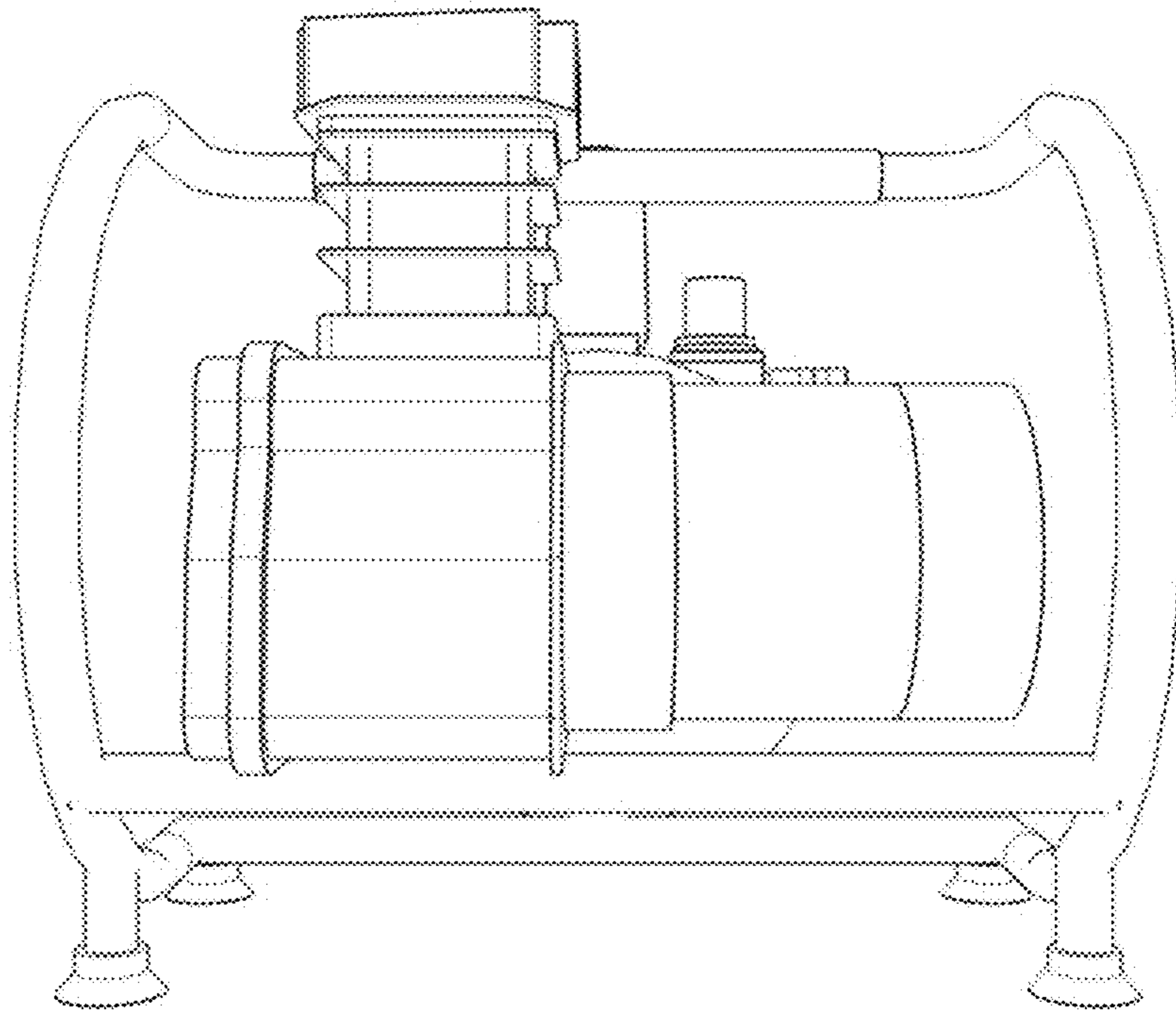
1.2



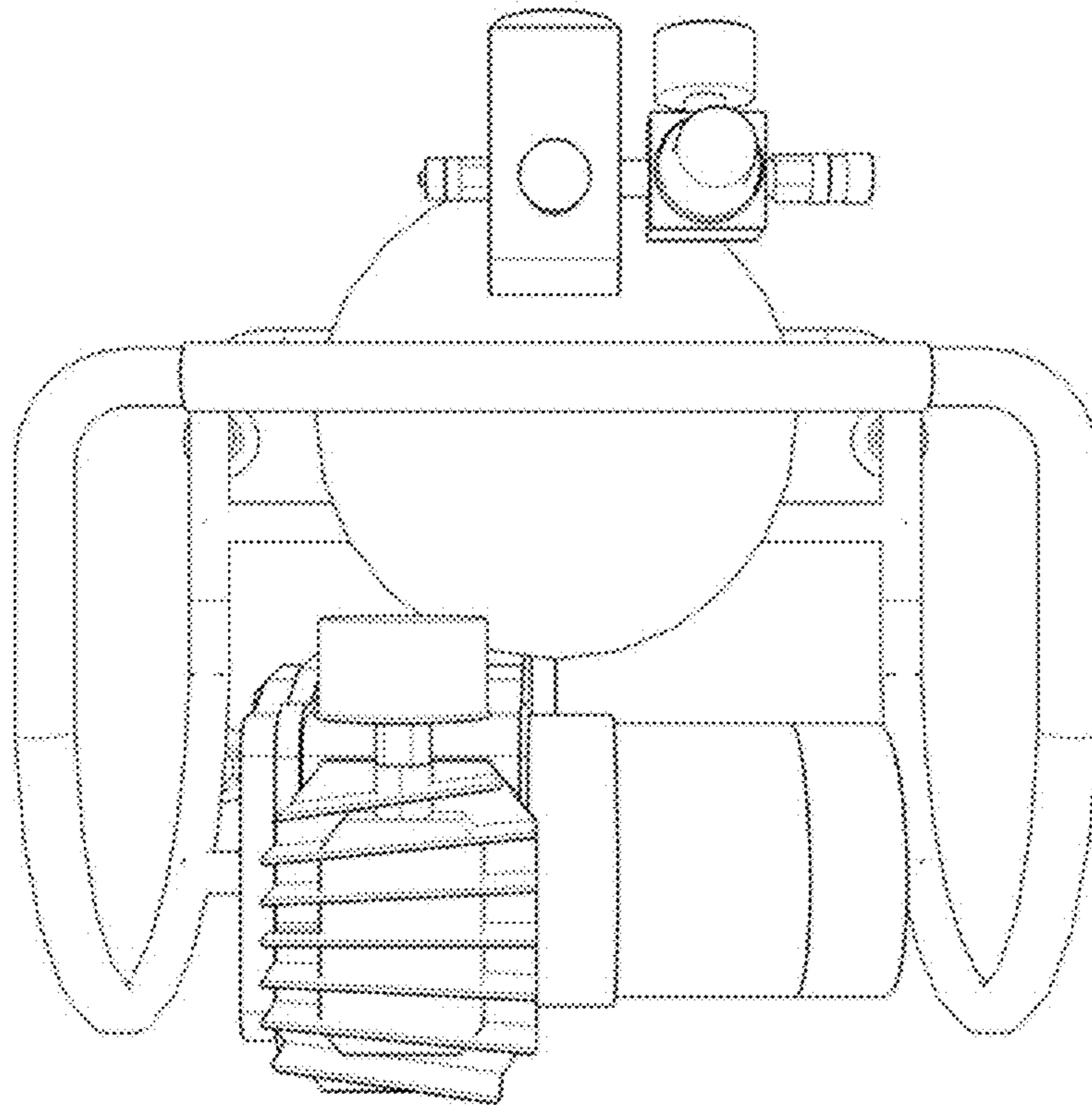
1.3



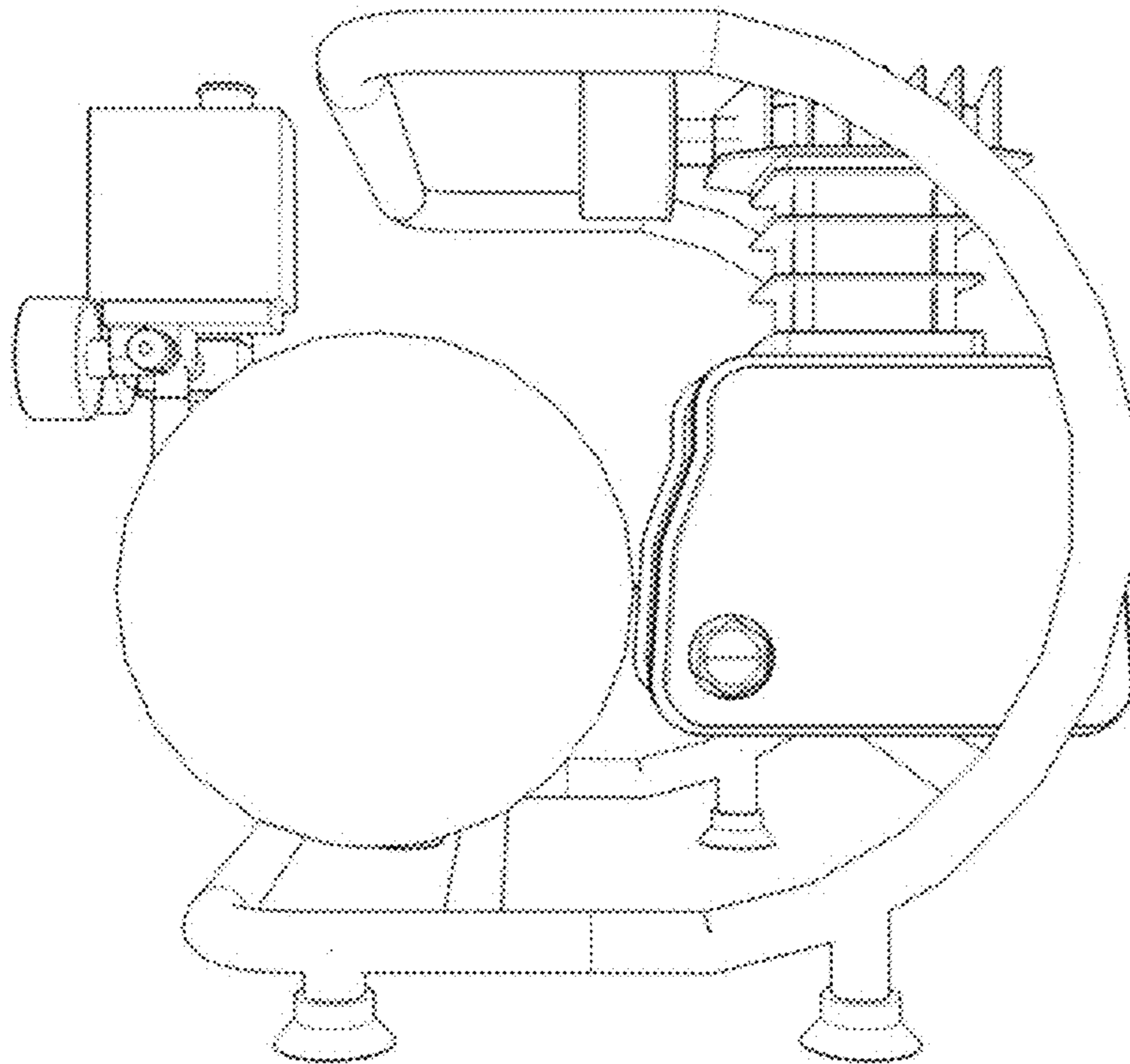
1.4



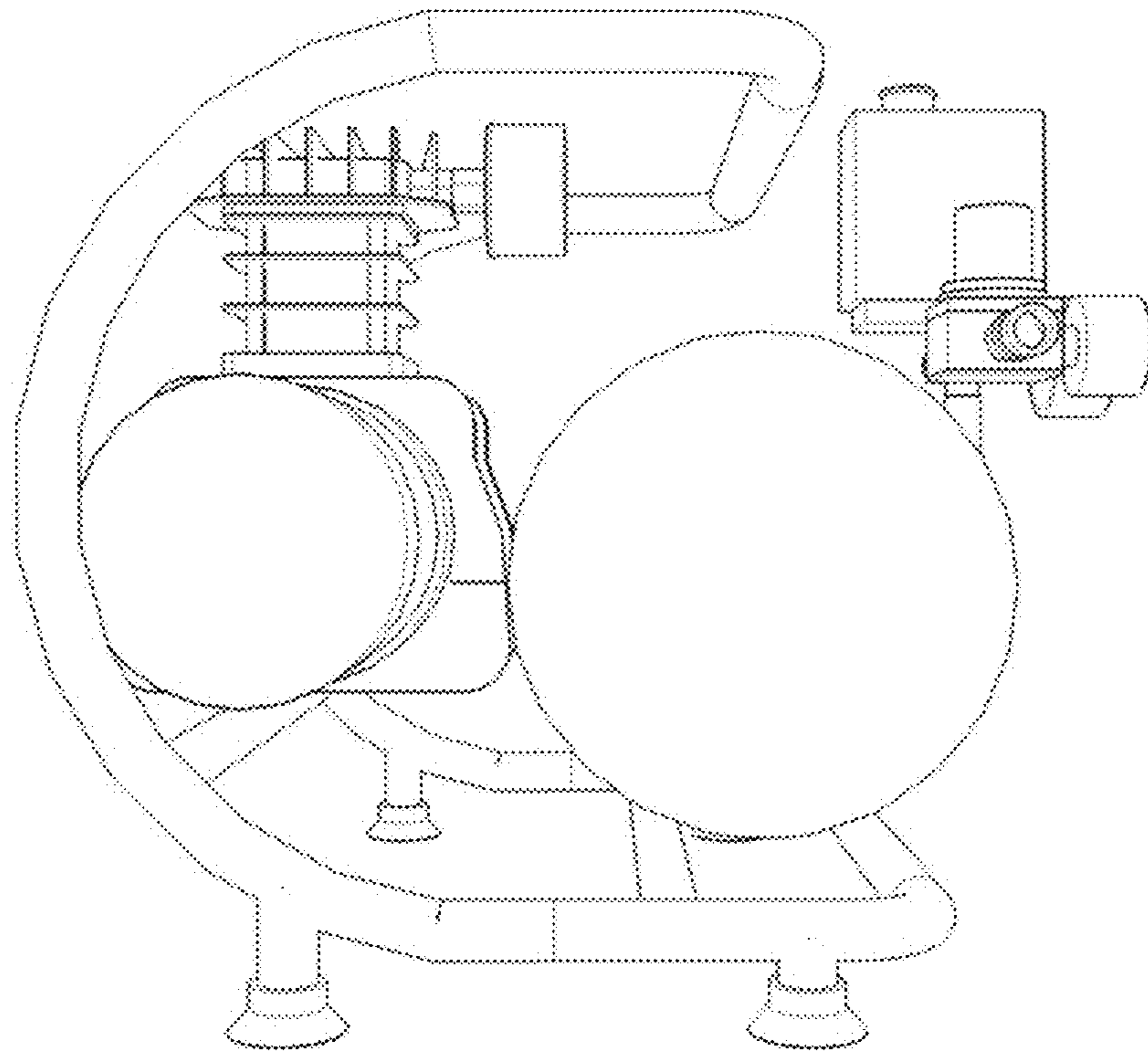
1.5



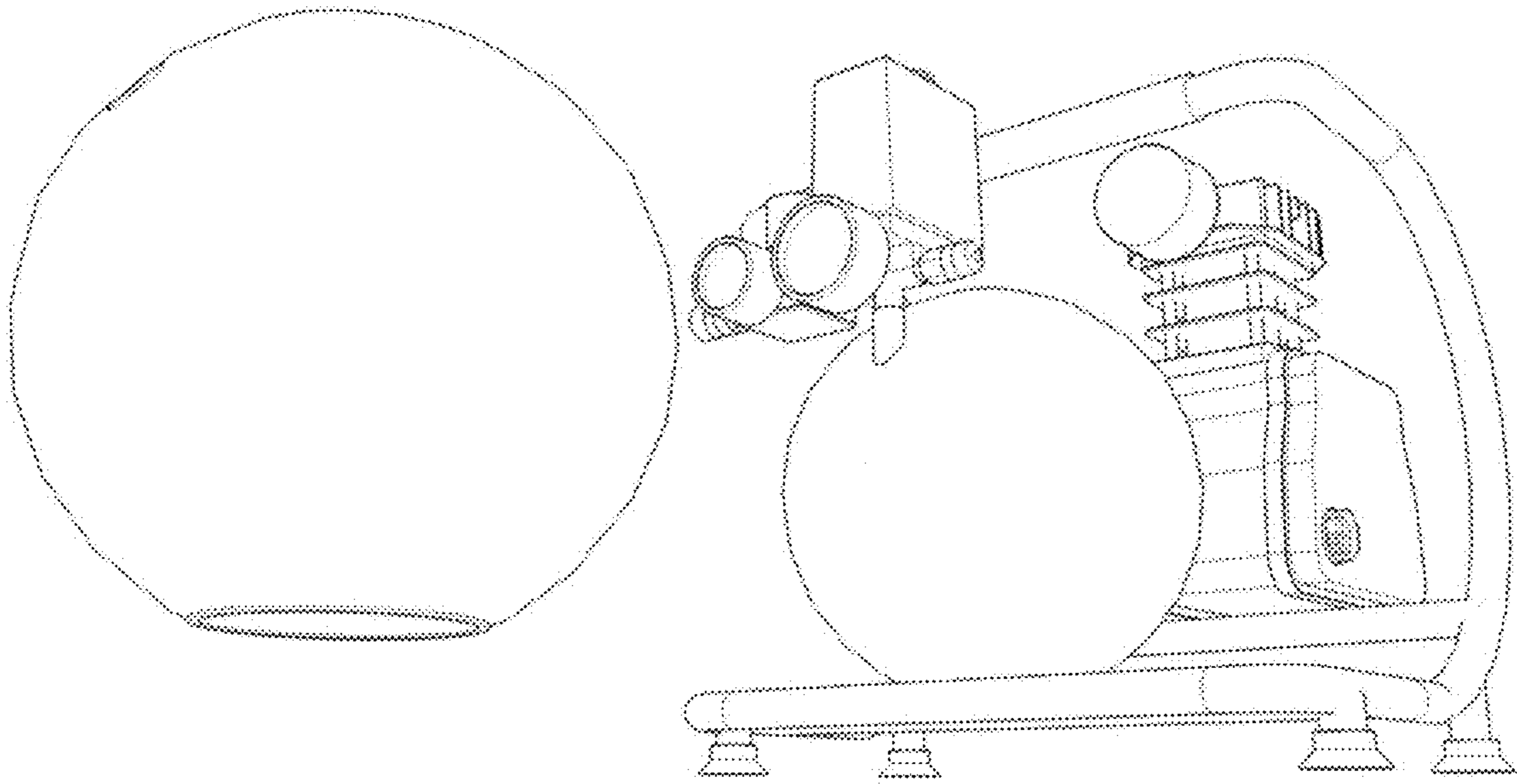
1.6



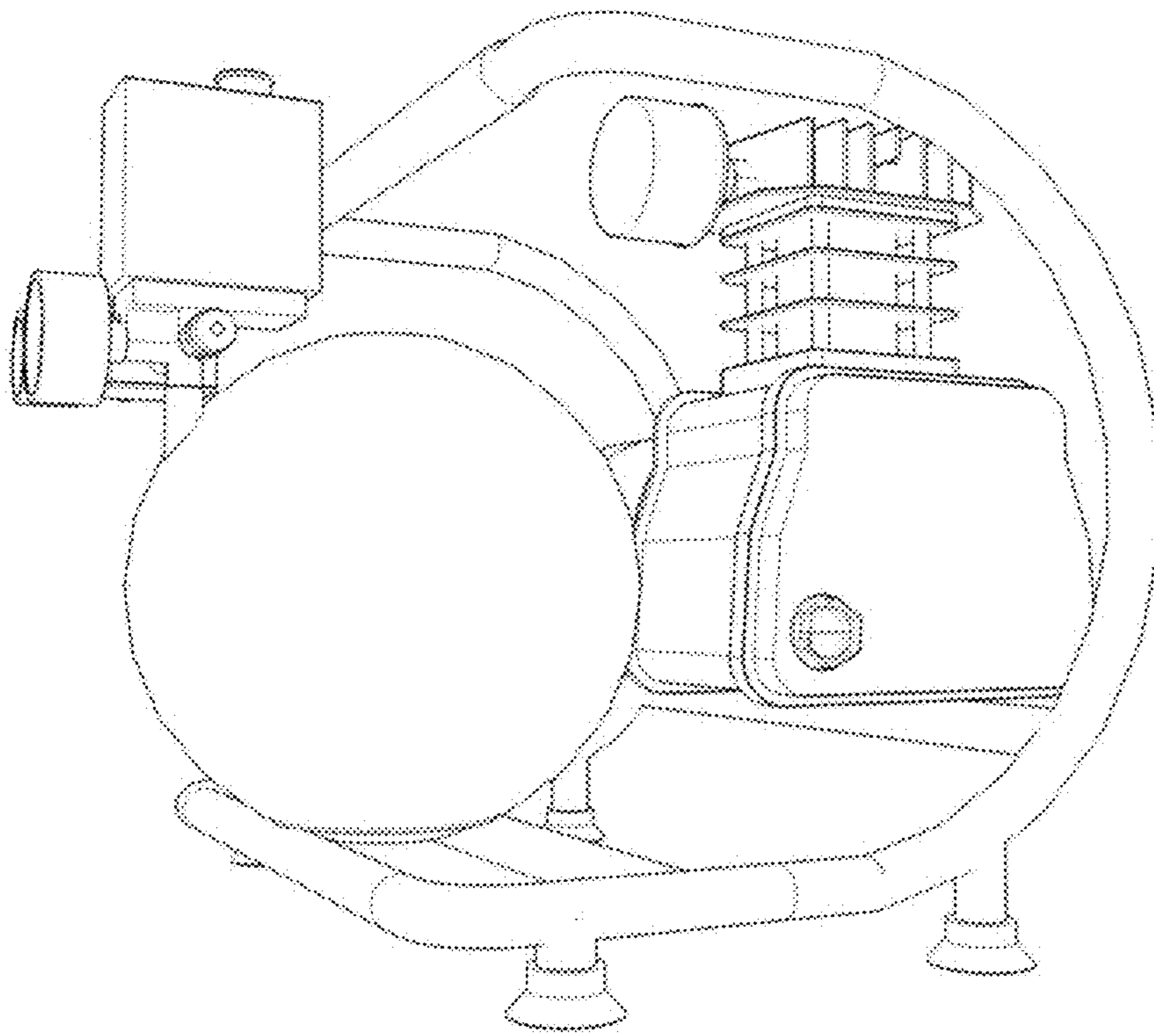
1.7



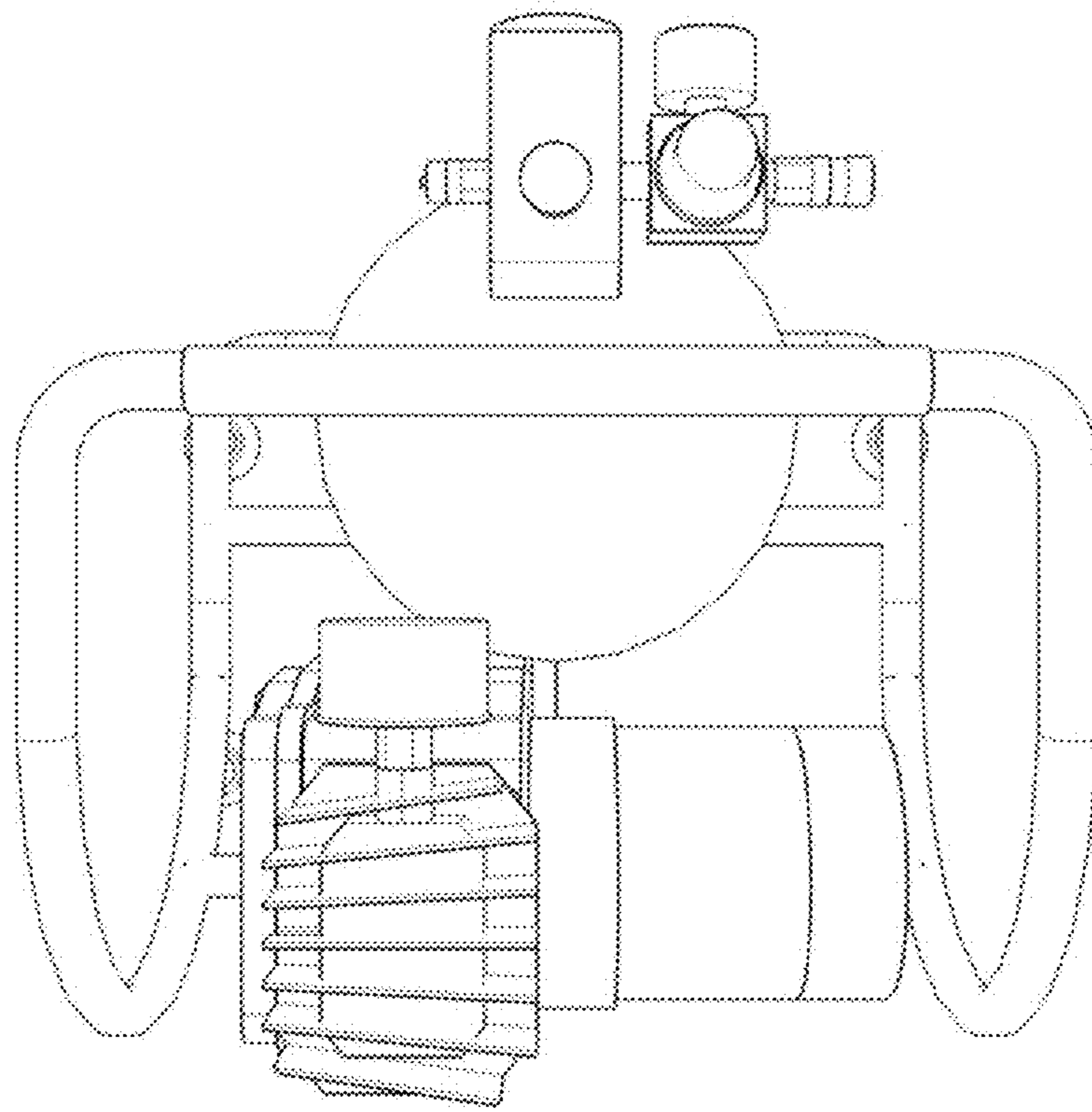
3.1



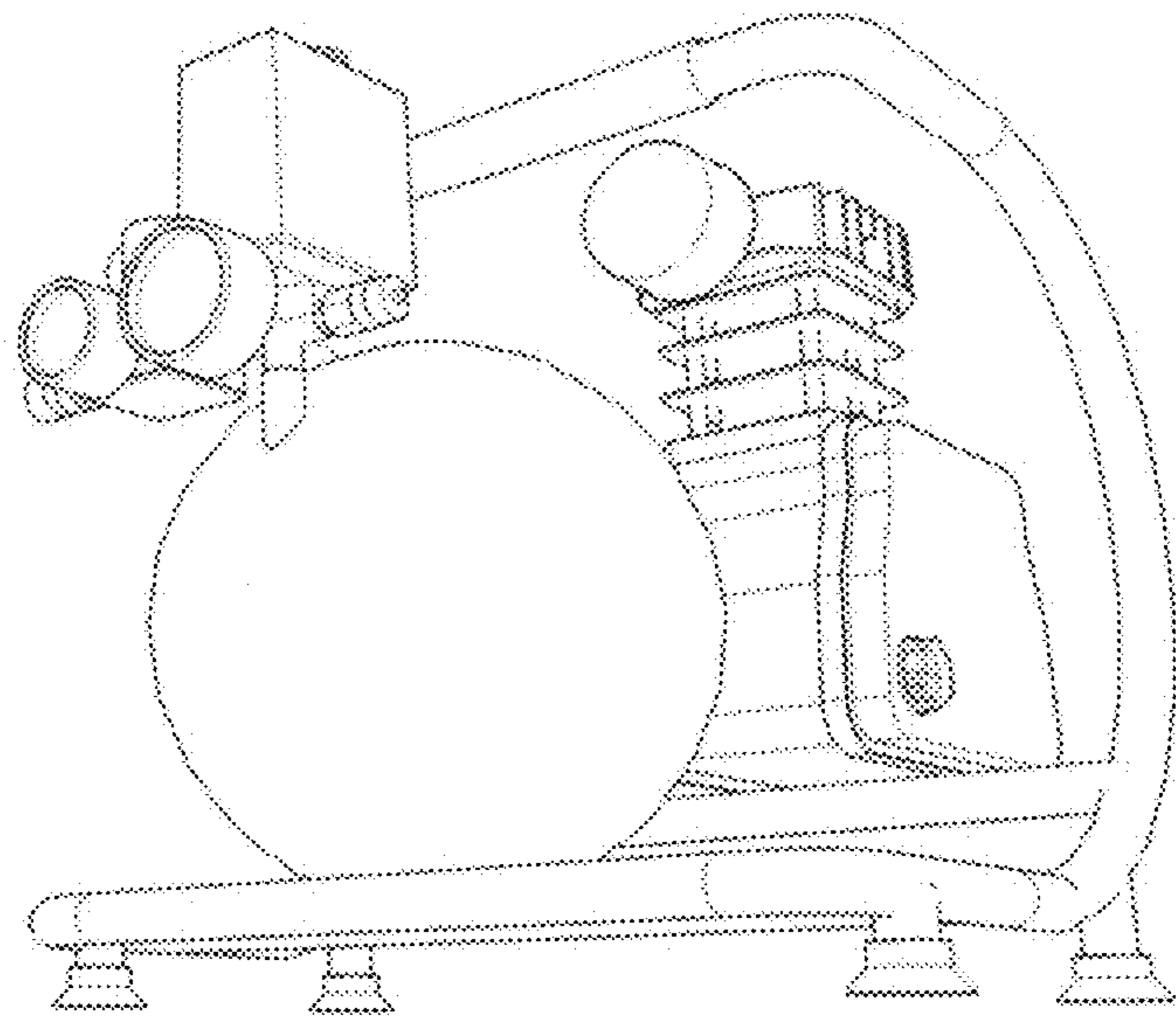
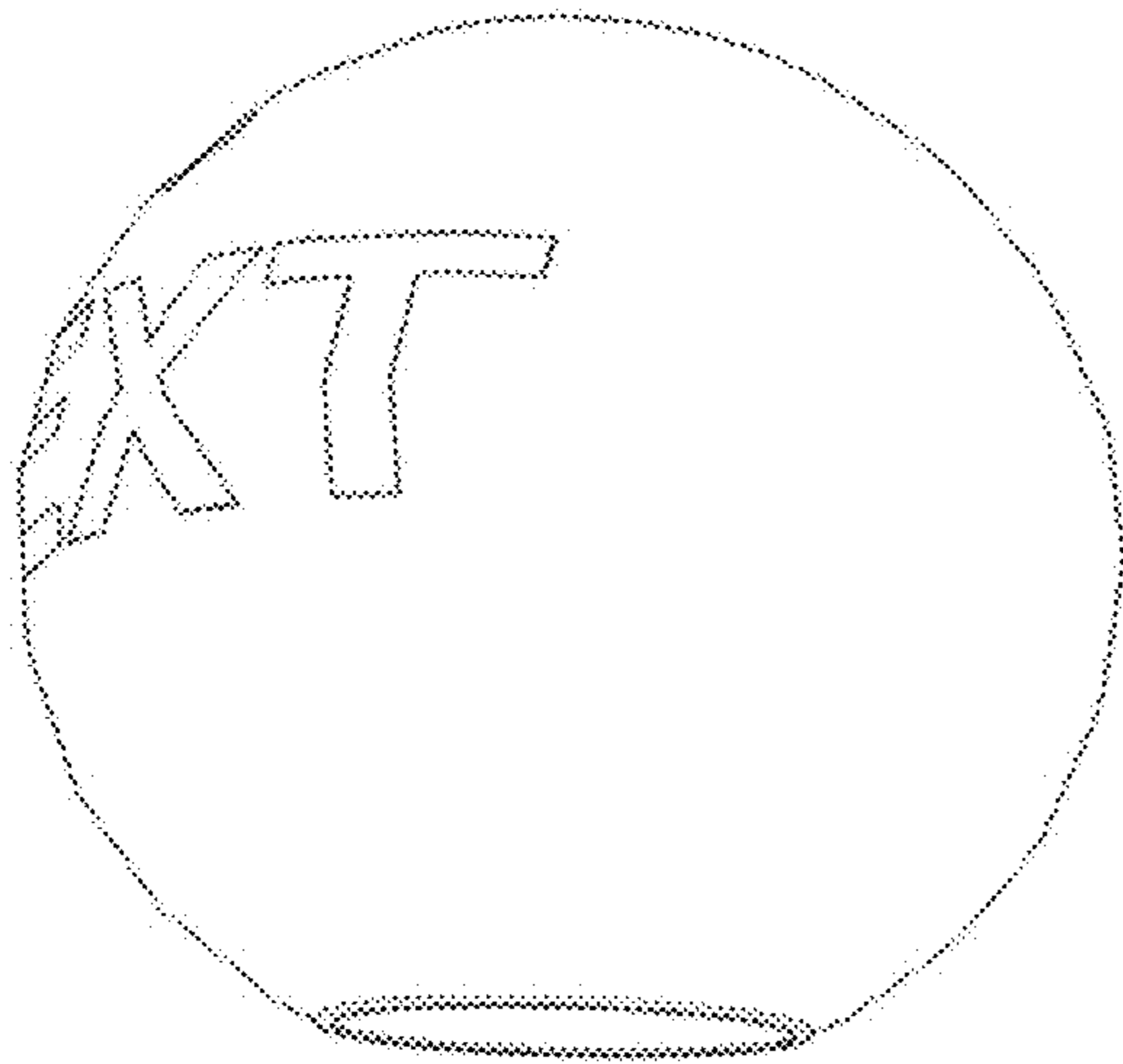
3.2



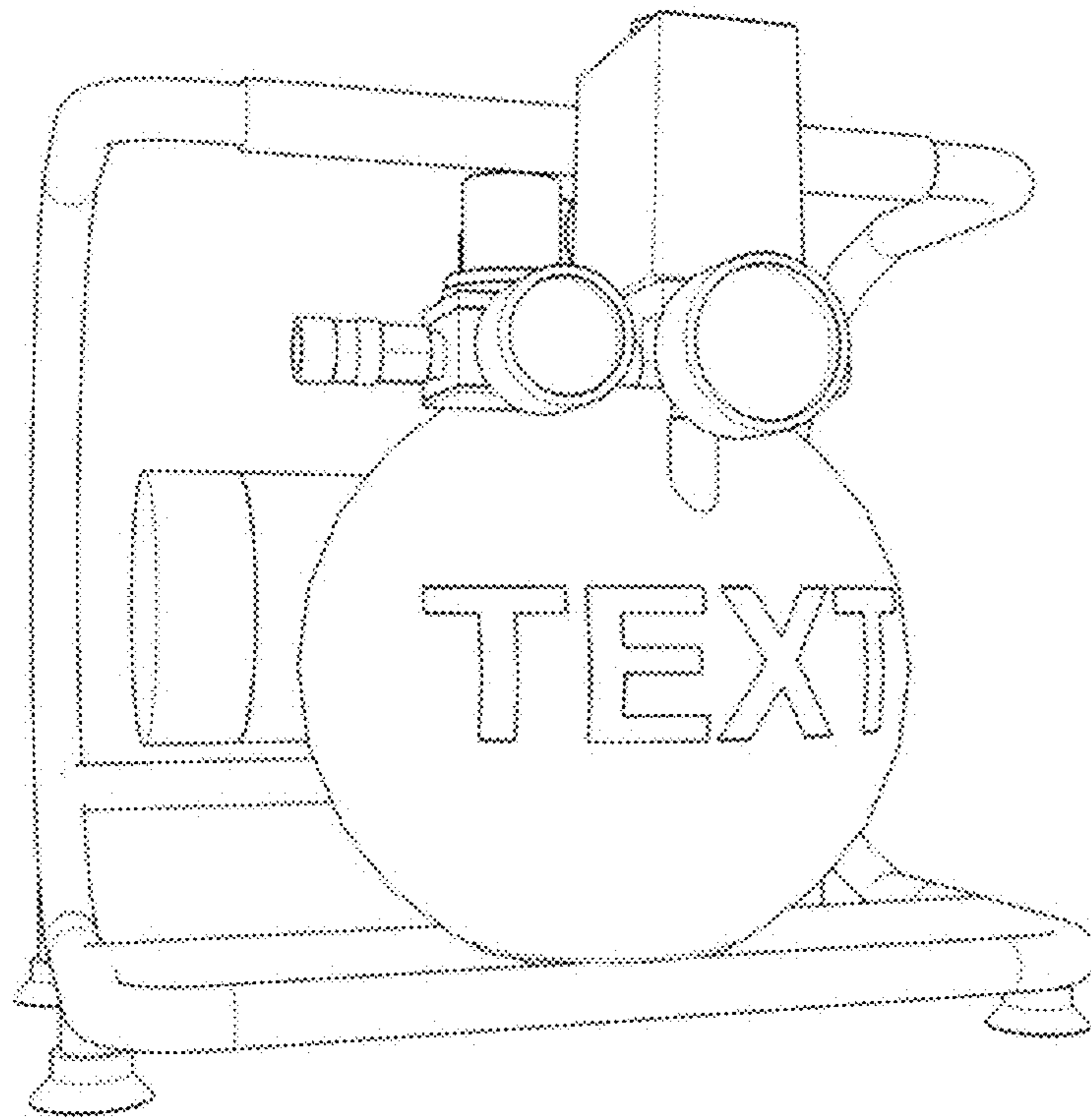
3.3



4.1



4.2



4.3

