



US00D854564S

(12) **United States Design Patent**
Nakamura et al.

(10) **Patent No.:** **US D854,564 S**
(45) **Date of Patent:** **** Jul. 23, 2019**

(54) **DISPLAY SCREEN WITH GRAPHICAL USER INTERFACE**

(71) Applicant: **EBARA CORPORATION**, Tokyo (JP)

(72) Inventors: **Takamasa Nakamura**, Tokyo (JP);
Tsuneo Torikoshi, Tokyo (JP)

(73) Assignee: **EBARA CORPORATION**, Tokyo (JP)

(**) Term: **15 Years**

(21) Appl. No.: **29/631,461**

(22) Filed: **Dec. 29, 2017**

(30) **Foreign Application Priority Data**

Jun. 29, 2017 (JP) 2017-014045

(51) **LOC (11) Cl.** **14-04**

(52) **U.S. Cl.**
USPC **D14/486**

(58) **Field of Classification Search**
USPC D14/485-495; D20/11; D21/324, 325
CPC G06F 3/0231; G06F 3/048; G06F 3/0481;
G06F 3/04817; G06F 3/0482; G06F
3/0483; G06F 3/04842; G06F 3/0485;
G06F 3/04855; G06F 3/0486; G06F
3/0488; G06F 3/04886; G06F 9/4443;
G06F 17/211; G06F 17/212

See application file for complete search history.

(56) **References Cited**

U.S. PATENT DOCUMENTS

7,356,772 B2 * 4/2008 Brownholtz G06F 3/0482
715/752
7,681,149 B2 * 3/2010 Landesmaki G06F 3/0482
715/841
D638,852 S * 5/2011 Skidmore D14/488
D719,969 S * 12/2014 Ebtakar D14/486
D732,069 S * 6/2015 Seo D14/488
D752,632 S * 3/2016 Seo D14/488

D759,095 S * 6/2016 Seo D14/488
D786,281 S * 5/2017 Gedrich D14/486
D805,543 S * 12/2017 Baker D14/486
D808,999 S * 1/2018 Okabe D14/486
D819,659 S * 6/2018 Wada D14/485
2010/0002013 A1 * 1/2010 Kagaya G06F 3/0231
345/619
2014/0189608 A1 * 7/2014 Shuttleworth G06F 3/0484
715/863

FOREIGN PATENT DOCUMENTS

JP 1569708 S 2/2017

OTHER PUBLICATIONS

“Menu Options” May 8, 2017, posted at demo.rockettheme.com, [site visited Feb. 11, 2019]. https://web.archive.org/web/20170508122812/https://demo.rockettheme.com/live/wordpress/hexeris/menu-options.*

(Continued)

Primary Examiner — Karen E Kearney

Assistant Examiner — John M Otte

(74) *Attorney, Agent, or Firm* — Pearne & Gordon LLP

(57) **CLAIM**

The ornamental design for a display screen with graphical user interface, as shown and described.

DESCRIPTION

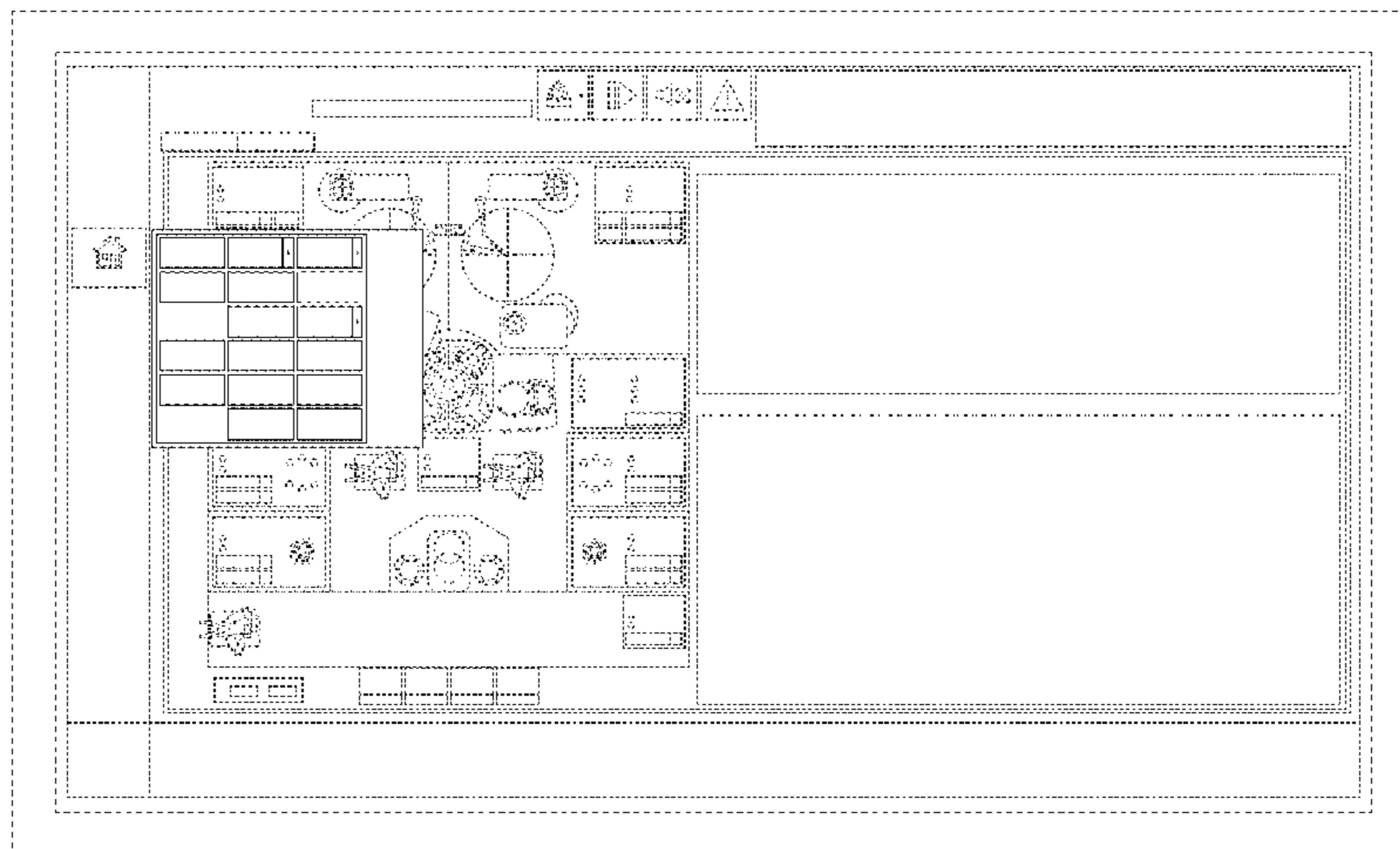
FIG. 1 is a front view of a display screen with graphical user interface showing our new design;

FIG. 2. is a reference perspective view in usage; and,

FIG. 3. is a reference front view in usage.

The broken lines shown in FIG. 1 represent unclaimed subject matter of the display screen with graphical user interface and form no part of the claimed design. The broken lines shown in FIGS. 2 and 3 represent unclaimed environments and form no part of the claimed design.

1 Claim, 3 Drawing Sheets



(56)

References Cited

OTHER PUBLICATIONS

“Homeschooling, Organized.” Dec. 3, 2016, posted at homeschoolmanager.com, [site visited Feb. 11, 2019]. <https://web.archive.org/web/20161203203042/http://homeschoolmanager.com>.*

Bojinca, Adrian, “Blog—How to add a sidebar?” Jun. 6, 2017, posted at mrtailor.wp-theme.help, [site visited Feb. 11, 2019]. <https://web.archive.org/web/20170606151207/https://mrtailor.wp-theme.help/hc/en-us/articles/212044085-Blog-How-to-add-a-sidebar->.*

* cited by examiner

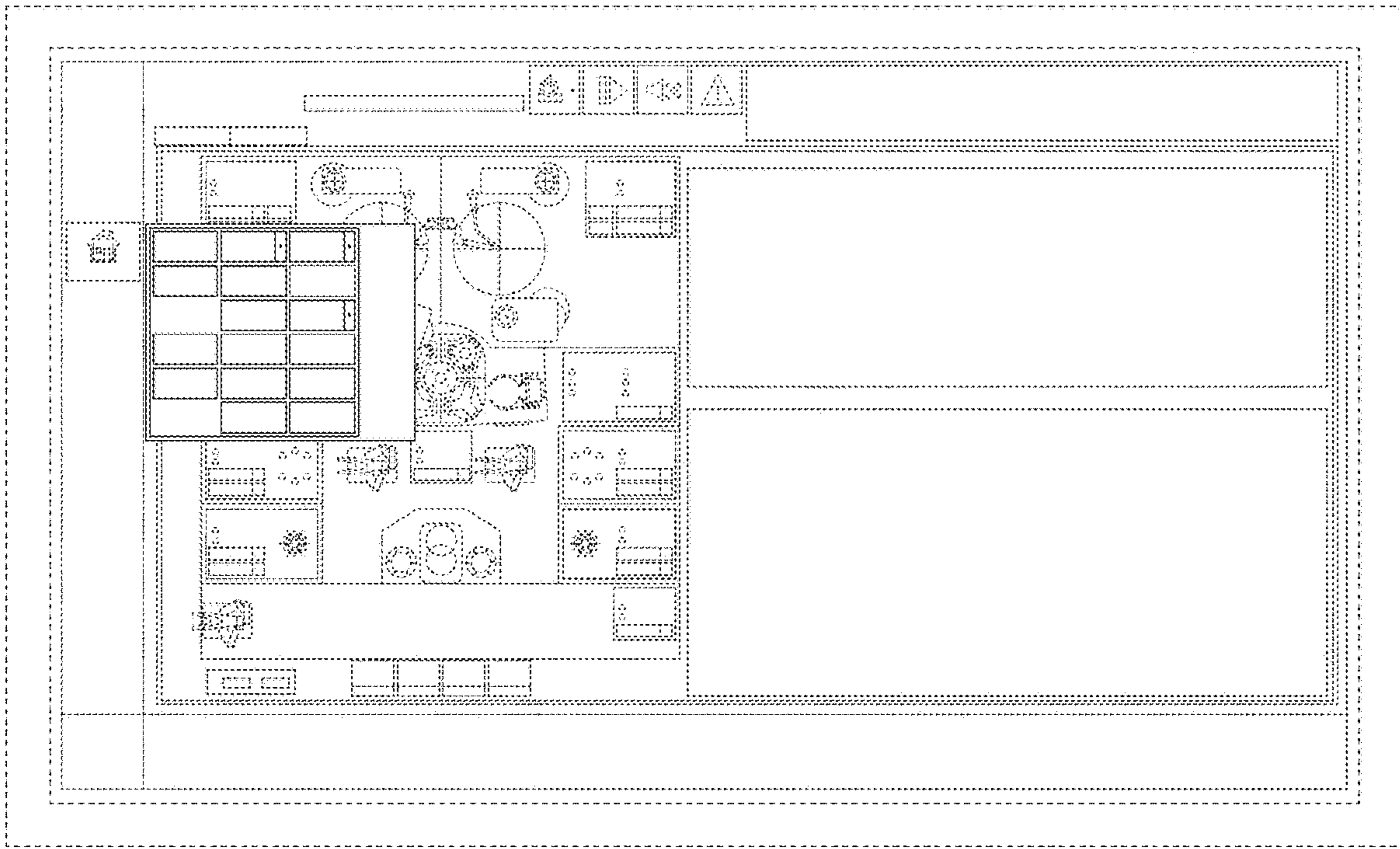


FIG. 1

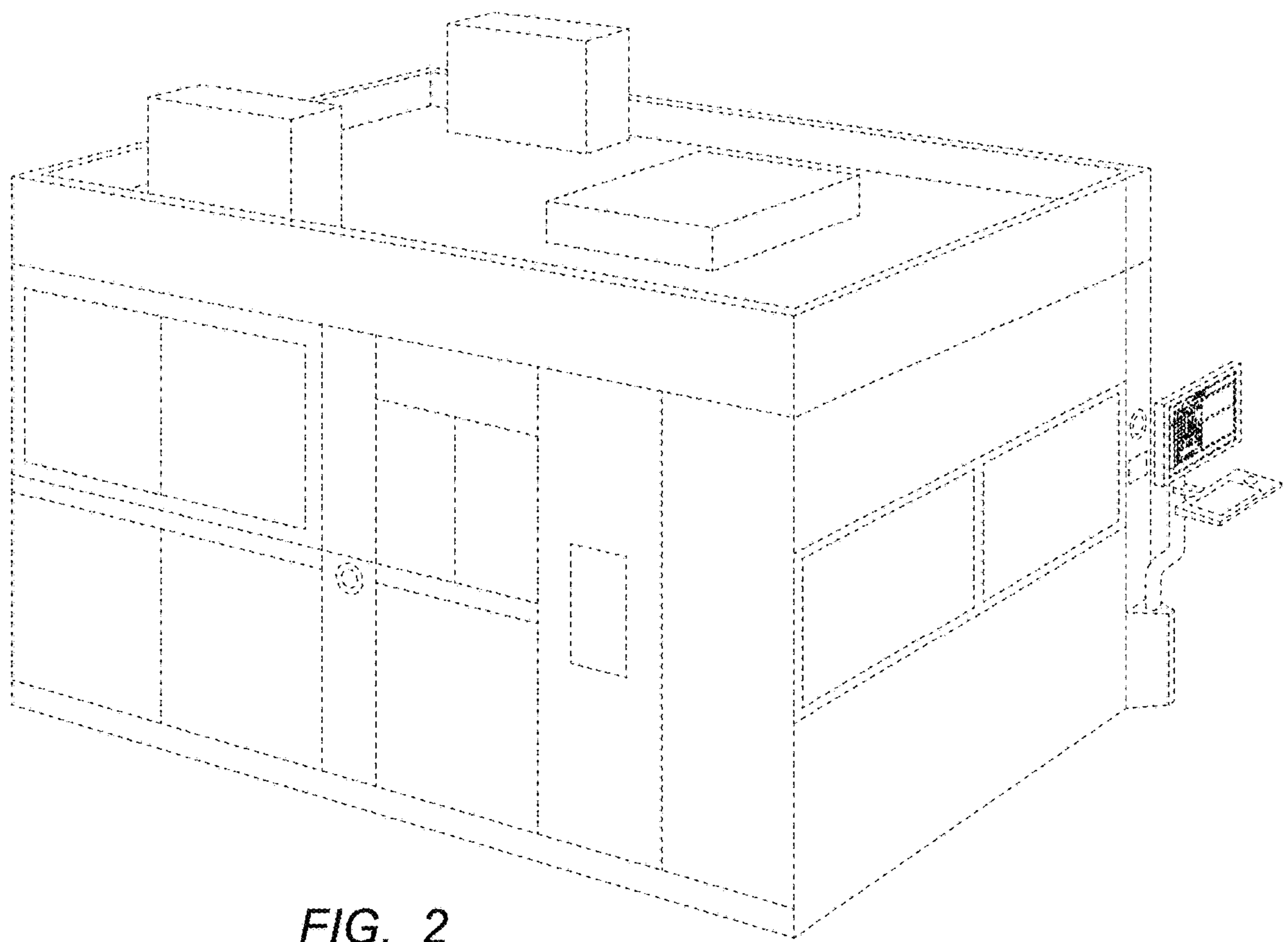


FIG. 2

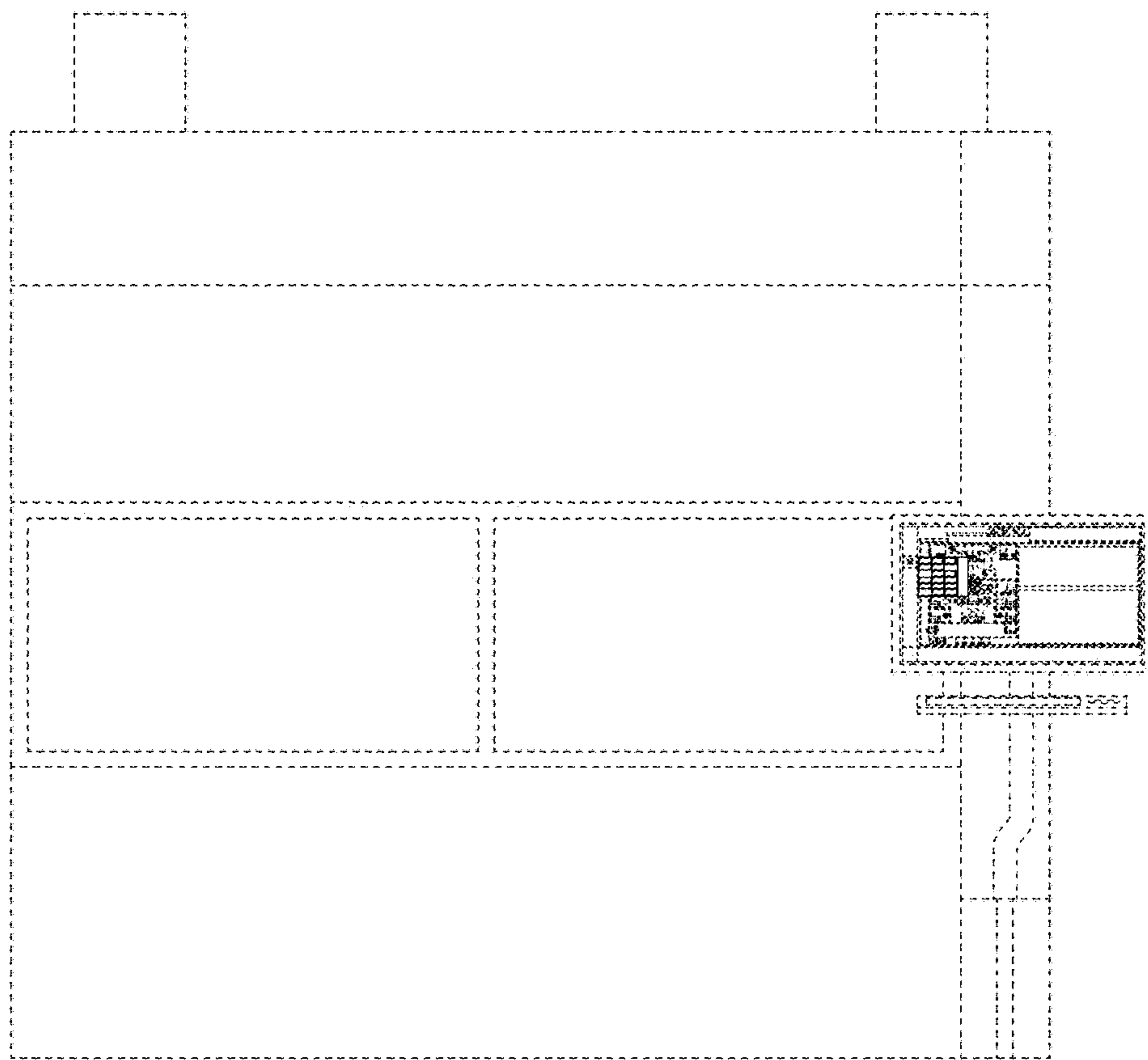


FIG. 3