



US00D854545S

(12) **United States Design Patent**
Woo et al.

(10) **Patent No.:** **US D854,545 S**
(45) **Date of Patent:** **** Jul. 23, 2019**

(54) **CASE FOR SSD (SOLID STATE DRIVE)**

(71) Applicant: **SAMSUNG ELECTRONICS CO., LTD.**, Suwon-si (KR)

(72) Inventors: **Jung-Hyun Woo**, Hwaseong-si (KR);
Jae-Hong Park, Gumi-si (KR);
Han-Hong Lee, Suwon-si (KR);
Sung-Woo Joo, Daegu-si (KR);
Chang-Hoon Han, Cheonan-si (KR)

(73) Assignee: **SAMSUNG ELECTRONICS CO., LTD.**, Suwon-si (KR)

(**) Term: **15 Years**

(21) Appl. No.: **29/585,248**

(22) Filed: **Nov. 22, 2016**

(30) **Foreign Application Priority Data**

Sep. 2, 2016 (KR) 30-2016-0043304

(51) **LOC (11) Cl.** **14-02**

(52) **U.S. Cl.**
USPC **D14/435**

(58) **Field of Classification Search**

USPC D14/110, 114, 125, 240, 242, 299–302,
D14/314, 348–370, 435–438, 496,
D14/478–480; D13/103, 119, 162, 184,
D13/199; D18/1, 7, 9, 11; D3/273, 269,
D3/201, 203.2, 207, 208, 212, 274, 247,
D3/249; 361/679.33–679.45, 737, 752,
361/736, 728, 796, 797, 729, 730,
361/725–727; 340/710; 345/163, 173;
428/137–138, 140, 304.4, 457; 360/69,
360/97.02; D9/432; 235/441, 443, 487,
235/492, 493, 495; 257/678, 679, 693,
257/E23.064; 439/946, 948, 159;
438/121; 710/300–303; 174/250, 260,
174/52.1, 52.2; 206/38, 39.4, 39.5

CPC G06K 19/06196; G06K 19/072; G06K
19/0721; G06K 19/0722; G06K 19/0723;
G06K 19/0724; G06K 19/0725; G06K

19/0726; G06K 19/0727; G06K 19/0728;
G06K 19/073; G06K 19/07309; G06K
19/077; G06K 19/07701; G06K
19/07715; G06K 19/0772; G06K
19/07724; G06K 19/07726; G06K
19/07728; G06F 21/86; G06F 21/87;
G06F 21/88; G06F 21/77–80; G06F
21/85–88; G06F 21/00; G06Q 20/3229;
G06Q 20/34; G06Q 20/341; G06Q
20/346; G06Q 20/349; G06Q 20/3563;
G06Q 20/3567; G06Q 20/357; G06Q
20/3576; H05K 5/026; H05K 5/0256;
H05K

(Continued)

(56) **References Cited**

U.S. PATENT DOCUMENTS

D592,667 S * 5/2009 Sheba D14/435
D659,694 S * 5/2012 Sumita D14/356

(Continued)

Primary Examiner — Susan Moon Lee

(74) *Attorney, Agent, or Firm* — Sughrue Mion, PLLC

(57) **CLAIM**

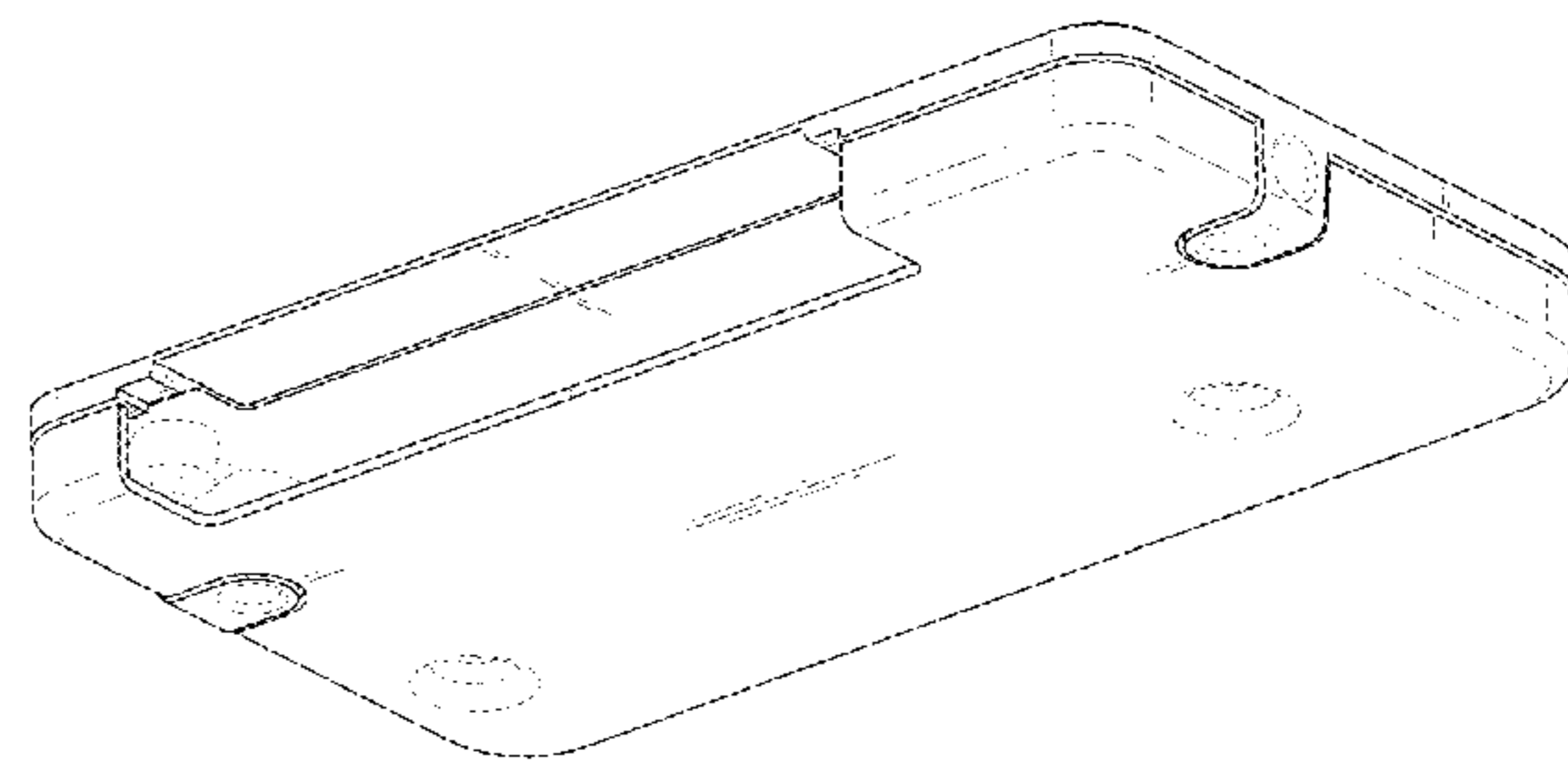
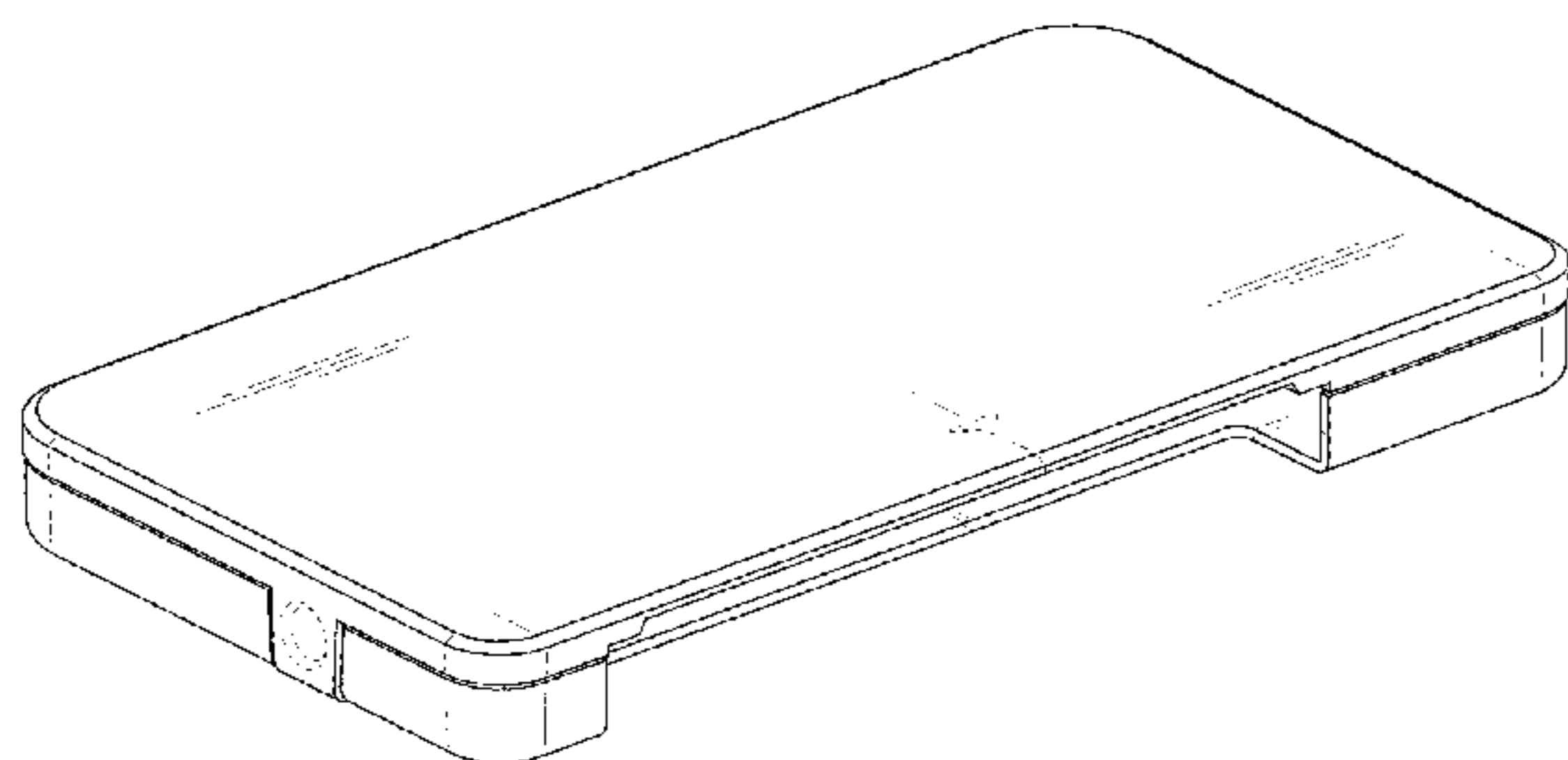
The ornamental design for a case for SSD (solid state drive), as shown and described.

DESCRIPTION

FIG. 1 is a front perspective view of a case for SSD (solid state drive) showing our new design;
FIG. 2 is a front view thereof;
FIG. 3 is a rear view thereof;
FIG. 4 is a left-side view thereof;
FIG. 5 is a right-side view thereof;
FIG. 6 is a top plan view thereof;
FIG. 7 is a bottom plan view thereof; and,
FIG. 8 is a rear perspective view thereof.

The broken lines are for environmental purposes only and form no part of the claimed design.

1 Claim, 5 Drawing Sheets



(58) Field of Classification Search

CPC .. 5/0265; H05K 5/0269; H05K 5/0273; H05K 5/0278; H05K 5/0282; H05K 5/0286; H05K 5/0291; H05K 5/0295; H05K 5/03; H05K 5/04; H05K 5/06; H05K 5/061; H05K 5/062; H05K 5/063; H05K 5/064; H05K 5/065; H05K 5/066; H05K 5/067; H05K 5/068; H05K 5/069; H05K 7/00; H05K 7/005; H05K 7/02; H05K 7/023; H05K 7/026; H05K 7/04; H05K 7/10; H05K 7/1418; H05K 7/142; H05K 7/1424; H05K 7/1427-1439; H05K 7/1461; H05K 7/1464-1474; H05K 7/1479; H05K 7/1481; H05K 7/1485-1488; H05K 2201/09745; H05K 2201/09754; H05K 2201/09763; H05K 2201/09772; H05K 2201/098; H05K 2201/09818; H05K 2201/10; H05K 2201/10007; H04N 2201/216

See application file for complete search history.

(56)

References Cited

U.S. PATENT DOCUMENTS

D674,333	S *	1/2013	Lemelman	D13/103
D691,609	S *	10/2013	Woodman	D14/434
D729,249	S *	5/2015	Sun	D14/435
D733,713	S *	7/2015	Shim	D14/435
D810,429	S *	2/2018	Kitchen	D3/247
2008/0089020	A1 *	4/2008	Hiew	H05K 9/0067 361/679.31
2012/0127650	A1 *	5/2012	Wang	G06F 1/187 361/679.33
2012/0236489	A1 *	9/2012	Foo	G06F 1/1635 361/679.32
2013/0001105	A1 *	1/2013	Mongan	A45C 11/182 206/38

* cited by examiner

FIG. 1

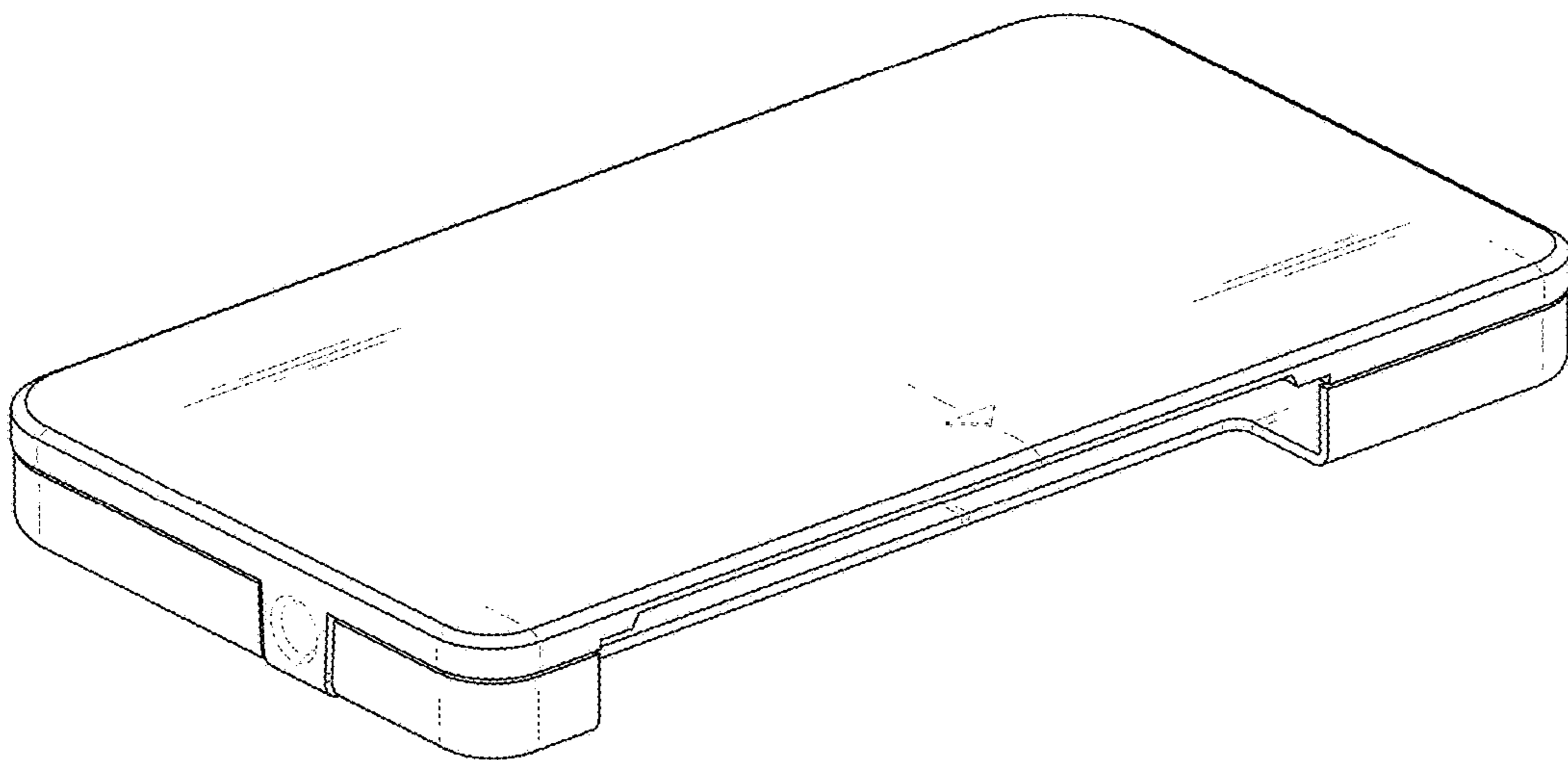


FIG. 2



FIG. 3

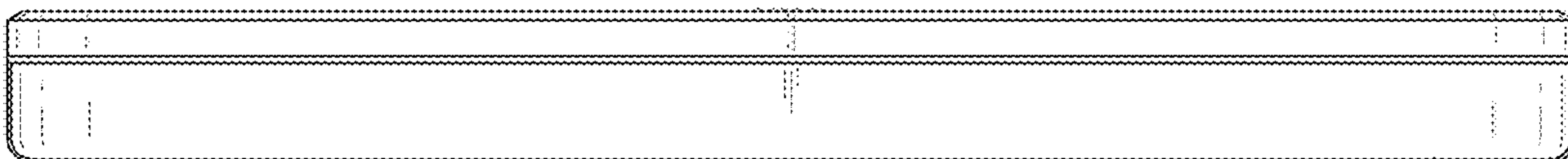


FIG. 4

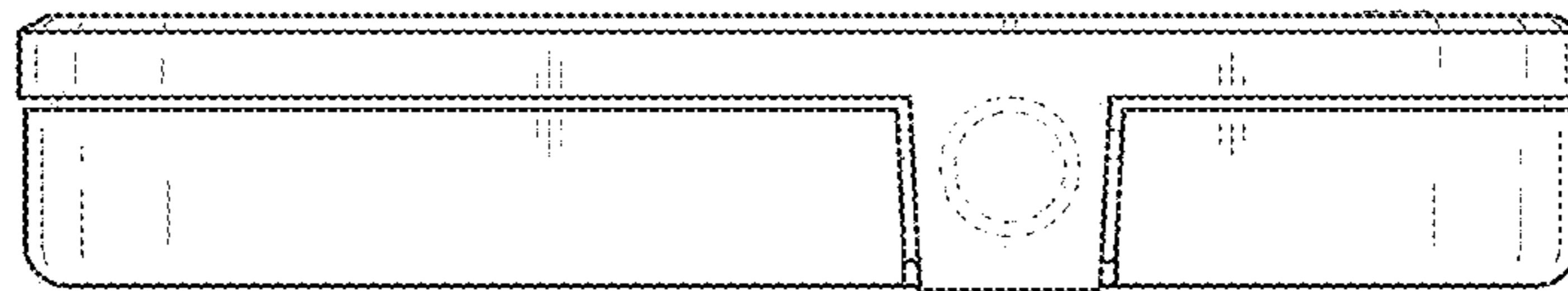


FIG. 5

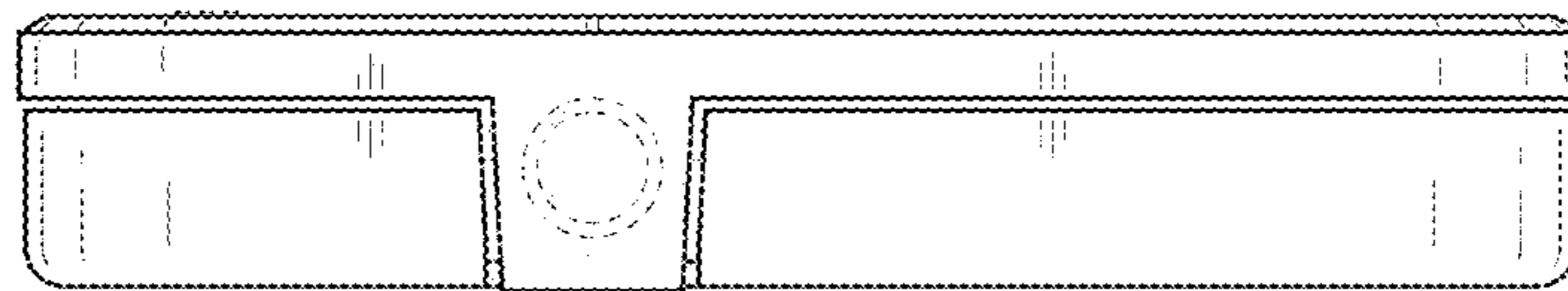


FIG. 6

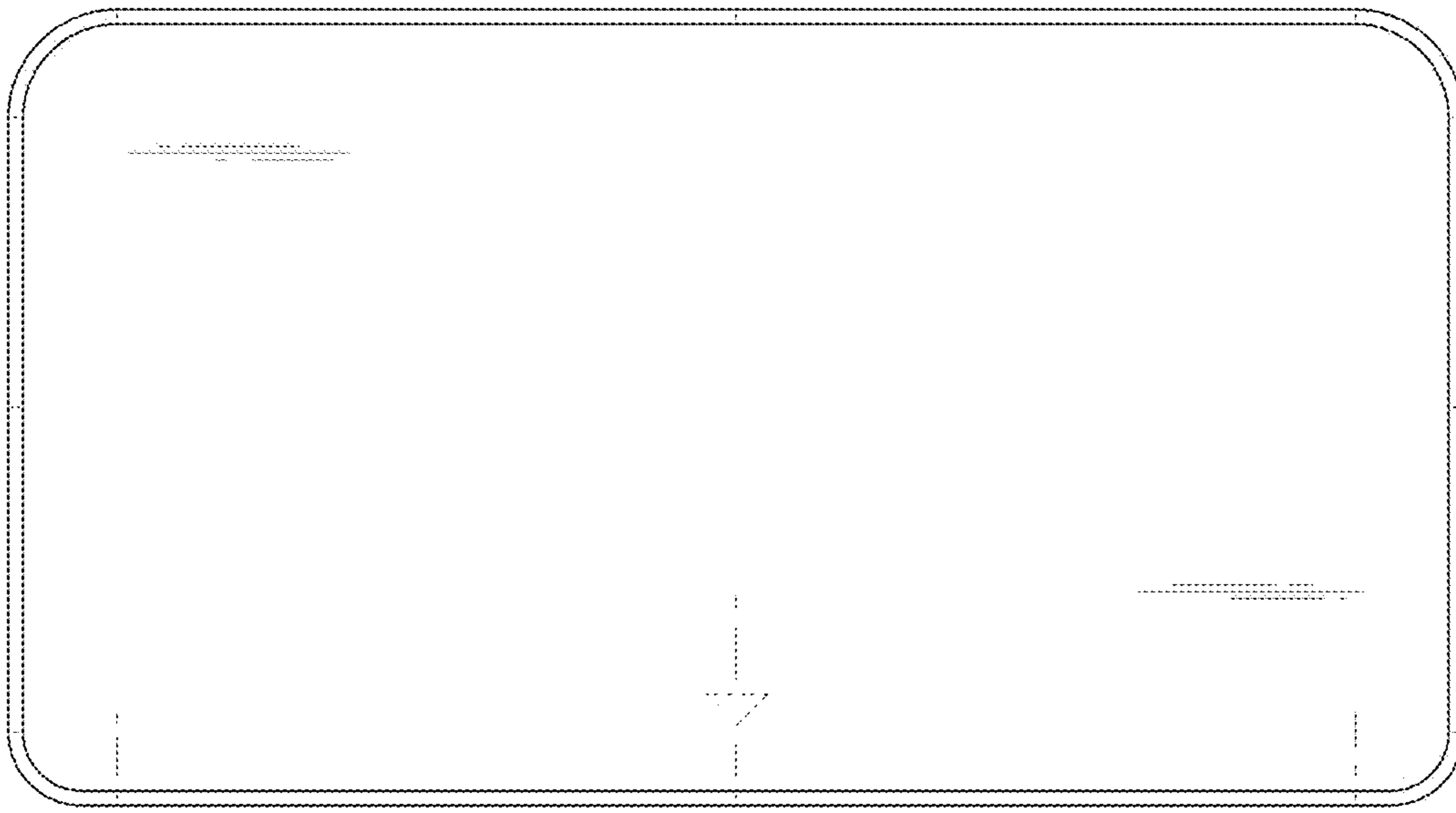


FIG. 7

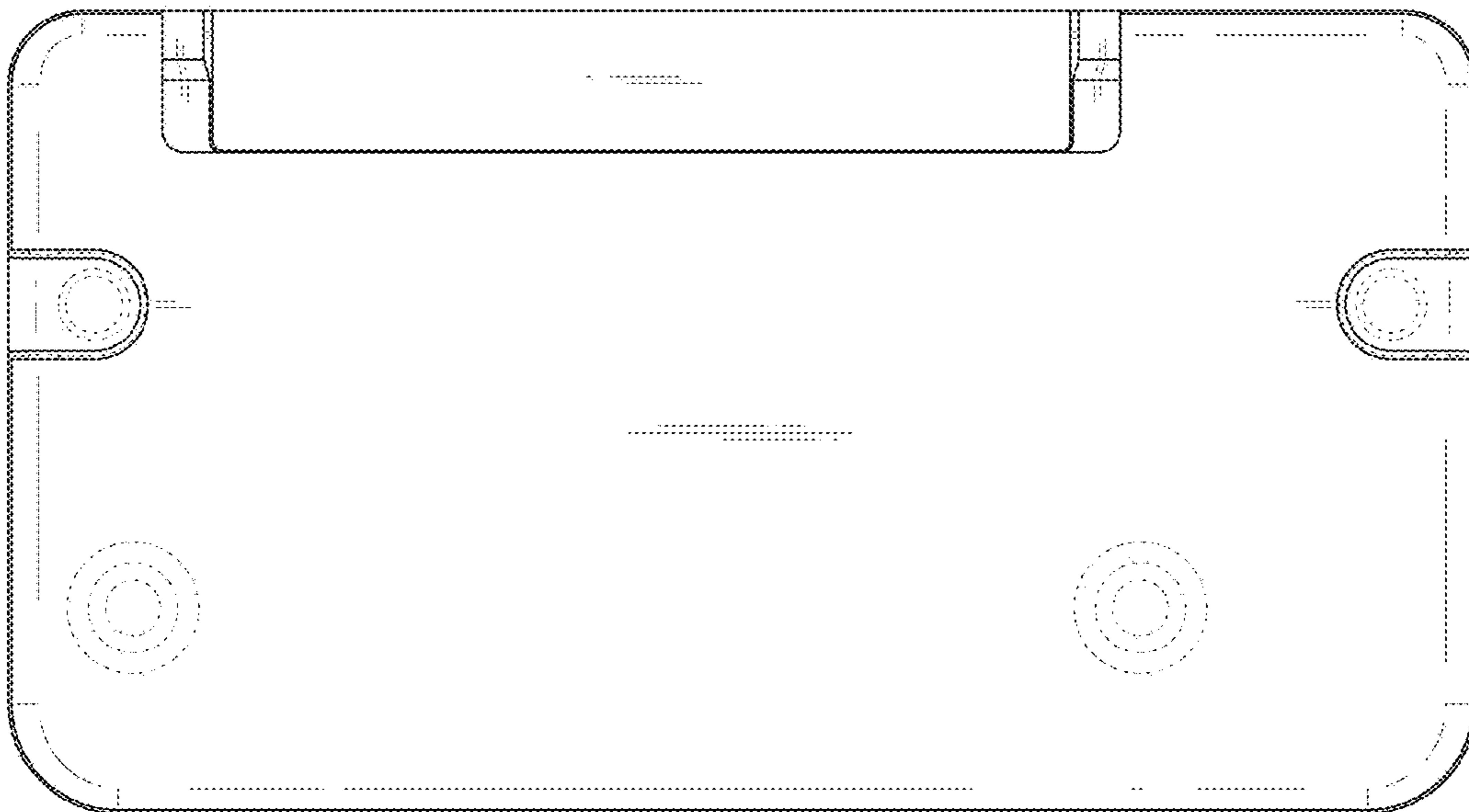


FIG. 8

