



US00D854544S

(12) **United States Design Patent** (10) **Patent No.:** **US D854,544 S**  
**Liao** (45) **Date of Patent:** **\*\* Jul. 23, 2019**

(54) **MULTI-PORT TYPE-C DOCKING STATION**

(71) Applicant: **Gopod Group Ltd.**,  
Shenzhen/Guangdong (CN)

(72) Inventor: **Zhuowen Liao**, Shenzhen (CN)

(73) Assignee: **GOPOD GROUP LTD.** (CN)

(\*\*) Term: **15 Years**

(21) Appl. No.: **29/641,583**

(22) Filed: **Mar. 23, 2018**

(51) **LOC (11) Cl.** ..... **14-02**

(52) **U.S. Cl.**

USPC ..... **D14/434**; D14/357; D14/433; D13/133

(58) **Field of Classification Search**

USPC ... D14/434, 433, 435, 435.1, 356, 357, 358,  
D14/440, 447, 251-253, 432, 451, 452,  
D14/454, 140, 142, 149, 217, 240, 299,  
D14/496, 171; D13/103, 107, 108, 118,  
D13/119, 184, 110, 123, 133, 135;  
D21/333

CPC .... G06F 1/1616; G06F 1/1626; G06F 1/1632;  
G06F 1/1688; G06F 13/00; G06F 13/38;  
G06F 13/382; G06F 13/385; G06F  
13/387; G06F 3/023; G06F 3/0658; G06F  
9/541; G06F 2213/40; G06F 2213/4004;  
H01R 31/06; H01R 31/065; H01R 27/00;  
H04R 5/04

See application file for complete search history.

(56) **References Cited**

**U.S. PATENT DOCUMENTS**

5,729,478 A \* 3/1998 Ma ..... G06F 1/1632  
361/679.41  
D396,706 S \* 8/1998 Rao ..... D14/433  
D397,674 S \* 9/1998 Rao ..... D14/433  
D470,848 S \* 2/2003 Morooka ..... D14/433  
6,943,527 B2 \* 9/2005 Liu ..... G06F 1/1632  
320/107

D531,619 S \* 11/2006 Chau ..... D14/217  
D531,991 S \* 11/2006 Chau ..... D14/217  
D537,036 S \* 2/2007 Chen ..... D14/433  
D538,222 S \* 3/2007 Curello ..... D13/103  
D545,311 S \* 6/2007 Wai ..... D14/480.7  
D551,250 S \* 9/2007 Andre ..... D14/484.1  
D559,249 S \* 1/2008 Takei ..... D14/480.6  
D559,848 S \* 1/2008 Siu ..... D14/433

(Continued)

**FOREIGN PATENT DOCUMENTS**

WO WO-2018196180 A1 \* 11/2018 ..... H01R 27/00

**OTHER PUBLICATIONS**

USB Hubs. (Design—© Questel) orbit.com.[online PDF] 45 pgs.  
Print Dates Range May 4, 2016 to Sep. 24, 2018. [Retrieved on Mar.  
1, 2019] <https://sobjprd.questel.fr/export/QPTUJ214/pdf2/115faf70-bda2-4906-b374-3d6e95bb1c8c-194706.pdf>.\*

*Primary Examiner* — Marie D. Fast Horse

(74) *Attorney, Agent, or Firm* — RC Patent Services

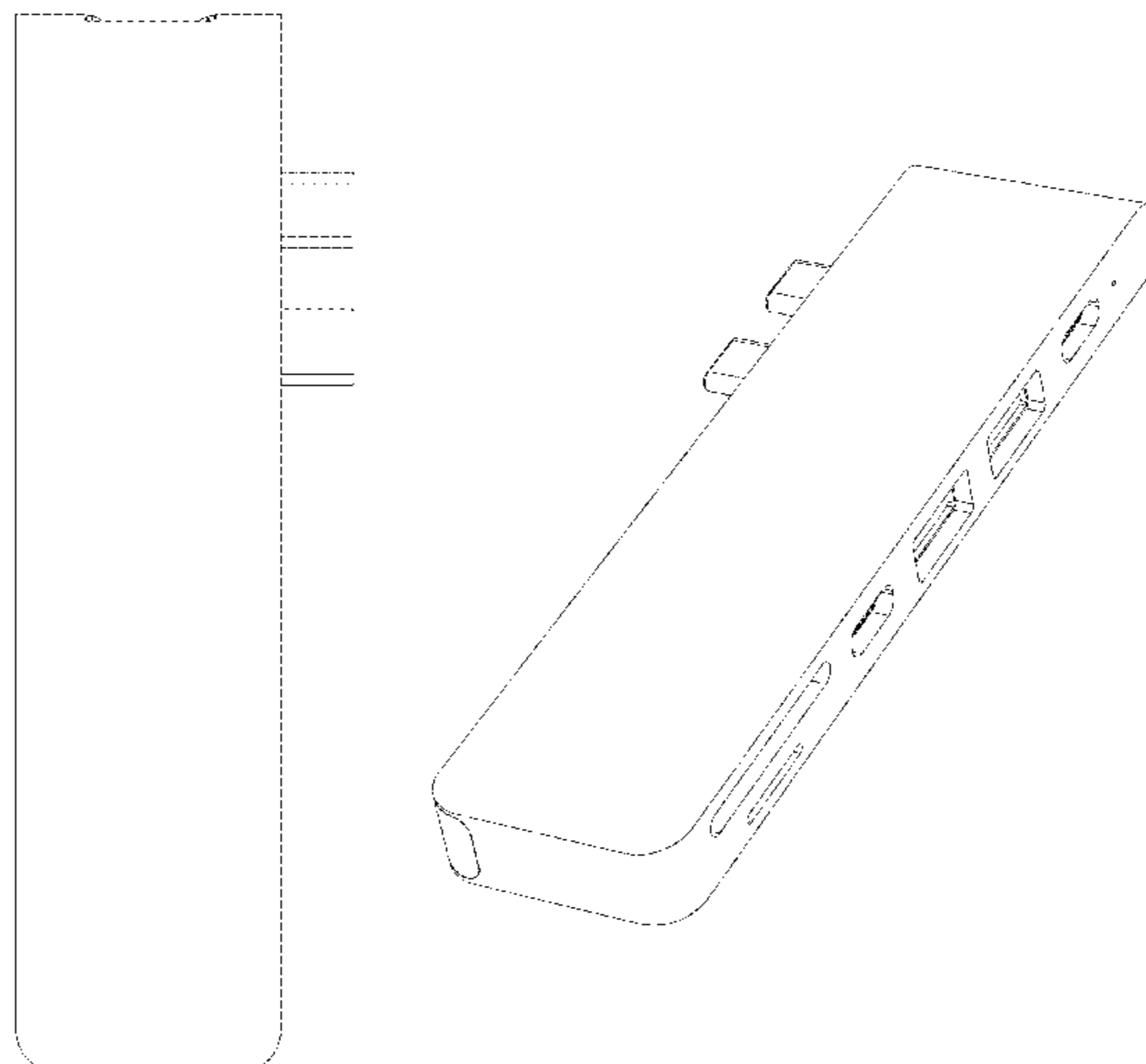
(57) **CLAIM**

The ornamental design for a multi-port type-C docking station, as shown and described.

**DESCRIPTION**

FIG. 1 is a top view of a multi-port type-C docking station showing my new design;  
FIG. 2 is a right side view thereof;  
FIG. 3 is a bottom view thereof;  
FIG. 4 is a left side view thereof;  
FIG. 5 is a front view thereof;  
FIG. 6 is a rear view thereof;  
FIG. 7 is a top, front, left side perspective view thereof; and,  
FIG. 8 is a top, rear, right side perspective view thereof.  
The broken lines in the drawings depict parts of the multi-port type-C docking station that form no part of the claimed design.

**1 Claim, 8 Drawing Sheets**



(56)

References Cited

U.S. PATENT DOCUMENTS

D606,549 S \* 12/2009 He ..... D14/480.7  
 D641,753 S \* 7/2011 Obata ..... D14/356  
 D658,665 S \* 5/2012 Akana ..... D14/480.1  
 D662,050 S \* 6/2012 Tien ..... D13/108  
 D675,215 S \* 1/2013 Akana ..... D14/480.1  
 8,512,079 B2 \* 8/2013 Vroom ..... H01R 13/512  
 361/679.45  
 D692,024 S \* 10/2013 Seong ..... D14/496  
 D711,318 S \* 8/2014 Xinfang ..... D13/103  
 D730,280 S \* 5/2015 Koebler ..... D13/107  
 D750,083 S \* 2/2016 Chow ..... D14/434  
 D788,112 S \* 5/2017 Liao ..... D14/433  
 D792,869 S \* 7/2017 Park ..... D14/204  
 D800,730 S \* 10/2017 Liao ..... D14/433  
 D807,290 S \* 1/2018 Liao ..... D13/110  
 D813,875 S \* 3/2018 Liao ..... D14/434  
 D816,609 S \* 5/2018 Komuro ..... D13/110  
 D820,198 S \* 6/2018 Smith ..... D13/103  
 D830,366 S \* 10/2018 Turksu ..... D14/433  
 D837,299 S \* 1/2019 Ehara ..... D21/333  
 D839,876 S \* 2/2019 Turksu ..... D14/435.1  
 2003/0216069 A1 \* 11/2003 Huang ..... G06F 1/266  
 439/105  
 2006/0085584 A1 \* 4/2006 Chen ..... G06F 1/1632  
 710/303  
 2009/0197474 A1 \* 8/2009 Wei ..... H01R 31/065  
 439/669  
 2015/0054336 A1 \* 2/2015 Xinfang ..... B60R 16/033  
 307/9.1

\* cited by examiner

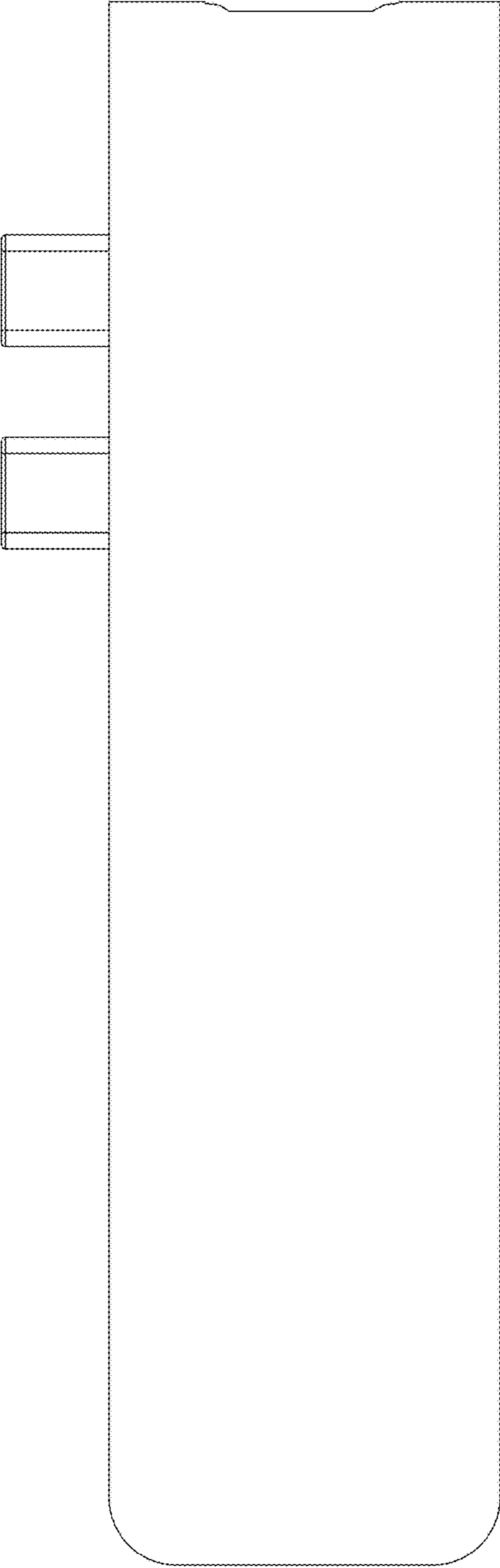


FIG. 1

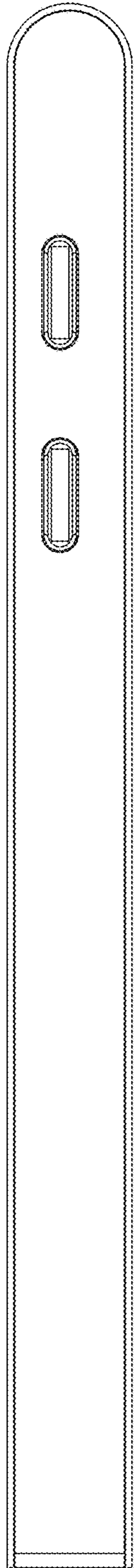


FIG. 2

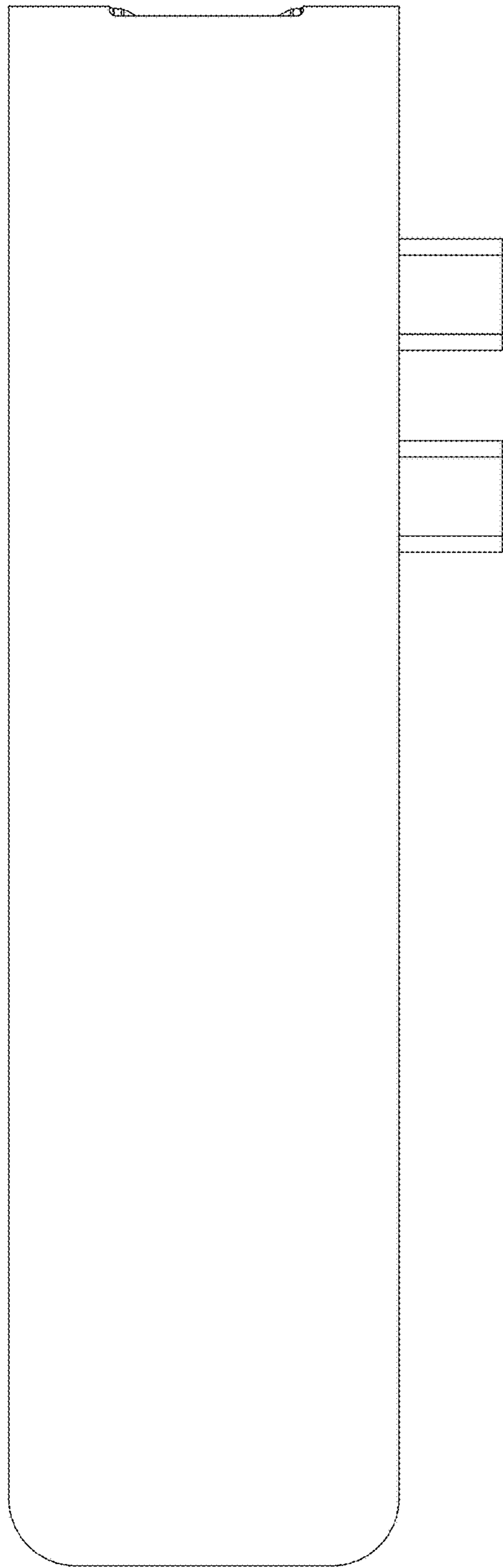


FIG. 3

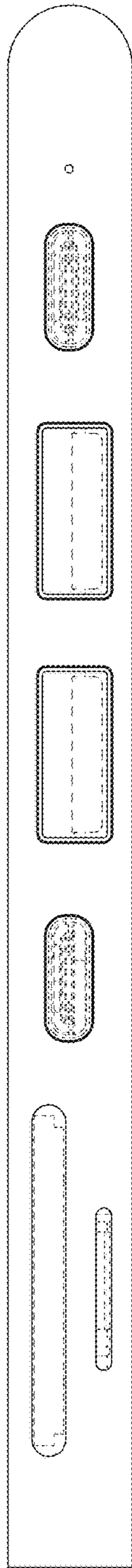


FIG. 4

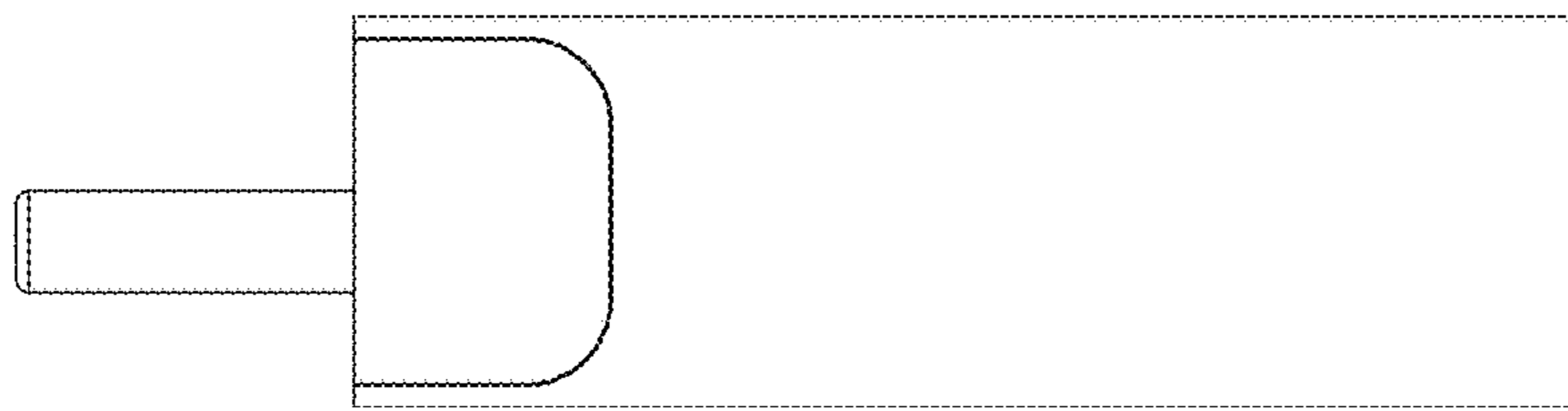


FIG. 5

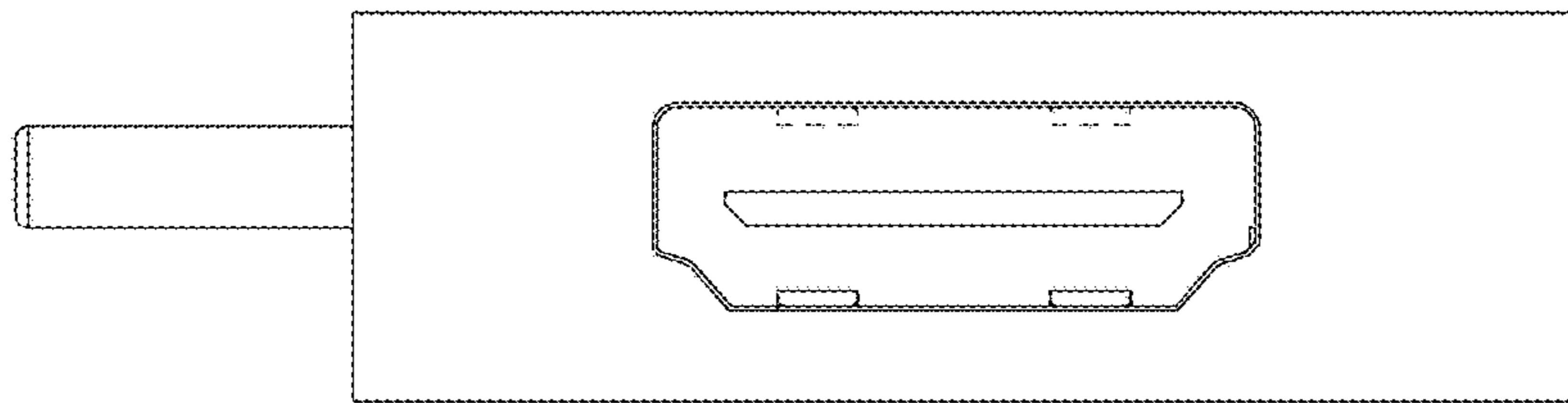


FIG. 6



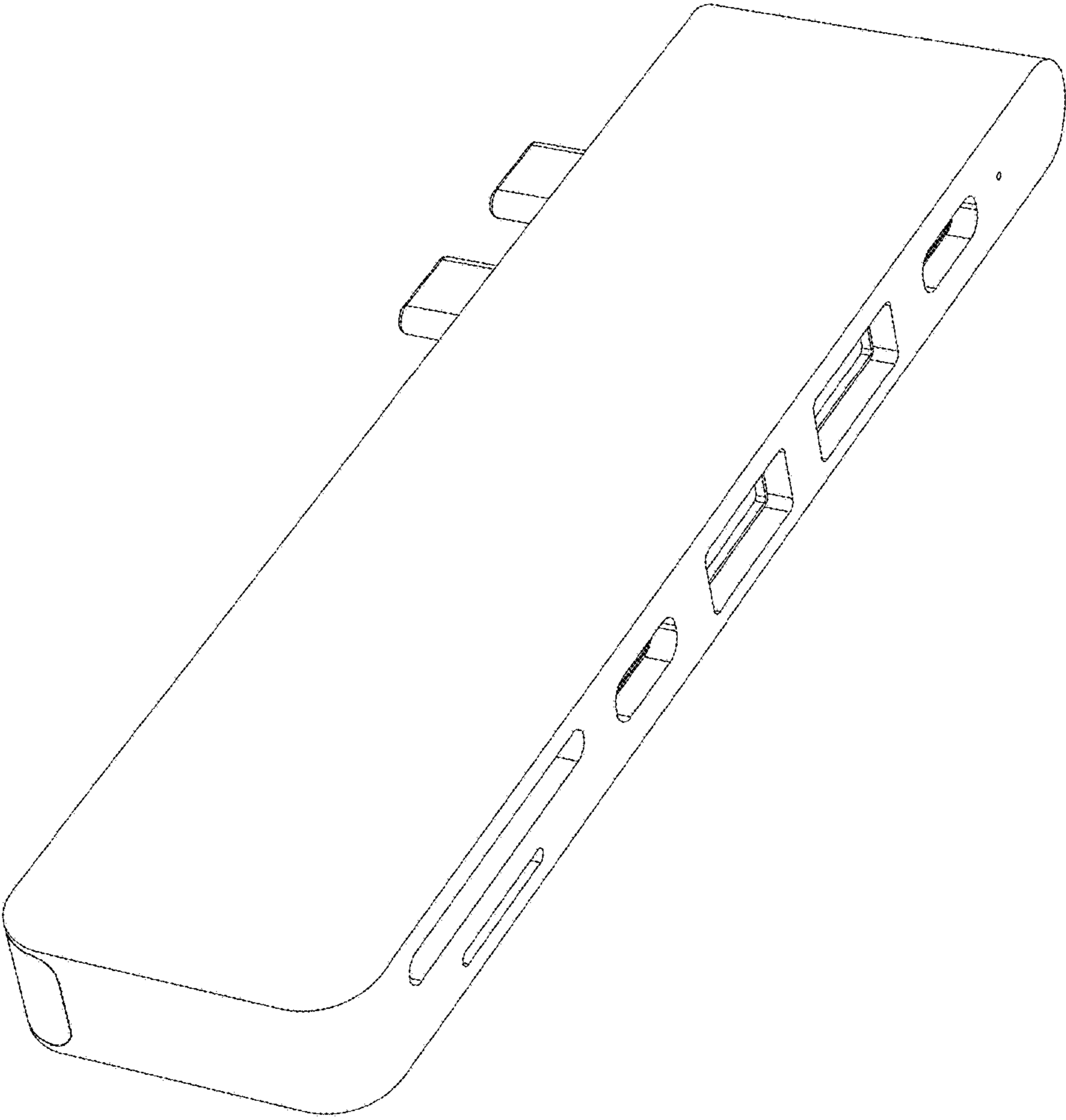


FIG. 7

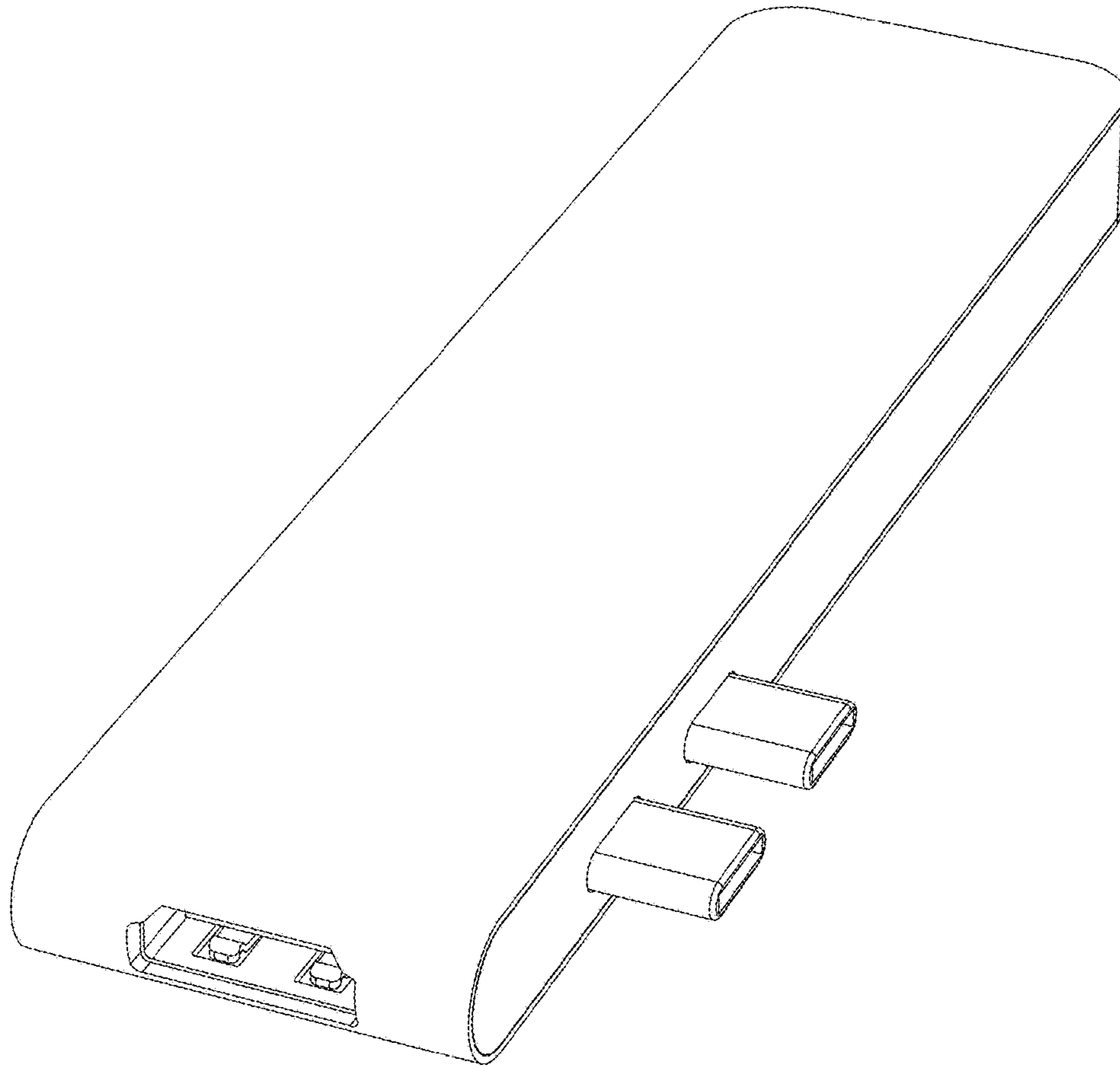


FIG. 8