



US00D854542S

(12) **United States Design Patent** (10) **Patent No.:** **US D854,542 S**
Doan et al. (45) **Date of Patent:** **** Jul. 23, 2019**

(54) **WEARABLE DEVICE**

(71) Applicant: **GlaxoSmithKline Consumer Healthcare Holdings, US, LLC**,
Wilmington, DE (US)

(72) Inventors: **Brian Doan**, Warren, NJ (US); **Jeffrey Brunner**, Warren, NJ (US); **Alexander James Peacop**, Worcestershire (GB); **Martin Crofton**, West Midlands (GB)

(73) Assignee: **GlaxoSmithKline Consumer Healthcare Holdings (US) LLC**,
Wilmington, DE (US)

(**) Term: **15 Years**

(21) Appl. No.: **29/612,584**

(22) Filed: **Aug. 2, 2017**

(51) **LOC (11) Cl.** **14-02**

(52) **U.S. Cl.**
USPC **D14/344**

(58) **Field of Classification Search**
USPC .. D14/138 R, 144, 341, 344, 358, 388, 218;
D10/30-39, 70, 98; D11/3, 4, 26, 93-94,
(Continued)

(56) **References Cited**

U.S. PATENT DOCUMENTS

D501,260 S 1/2005 Mitrevics
D501,937 S 2/2005 Mitrevics
(Continued)

OTHER PUBLICATIONS

Images of Fitbit Charge 2 and Fitbit Flex 2 leak, posted Aug. 17, 2016, [retrieved Jul. 26, 2018]. Retrieved from Internet, <URL: <https://www.androidauthority.com/fitbit-charge-2-fitbit-flex-2-leak-710412/>>.*

(Continued)

Primary Examiner — Barbara Fox

Assistant Examiner — Kristin E Reed

(74) *Attorney, Agent, or Firm* — Joshua C. Sanders

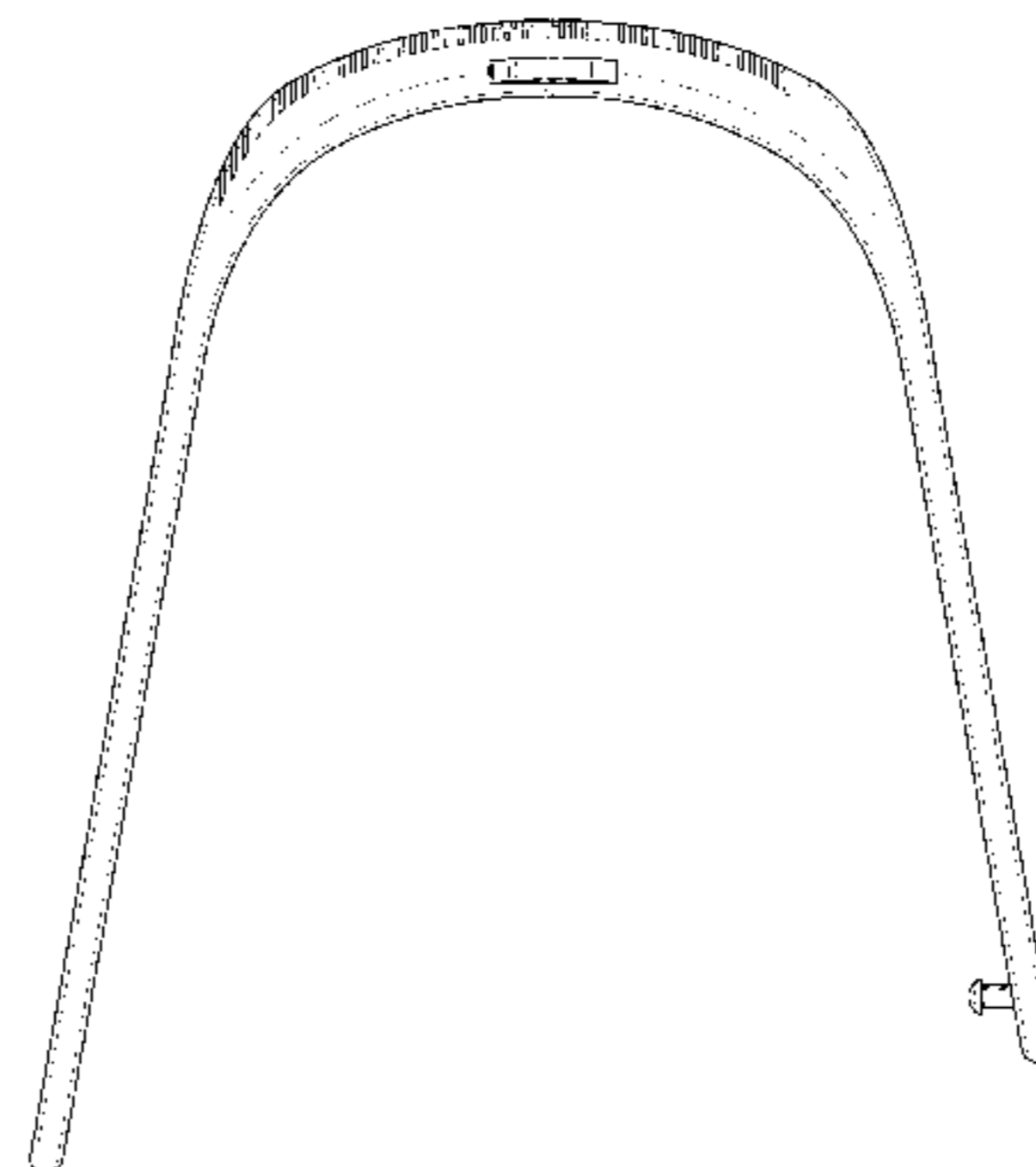
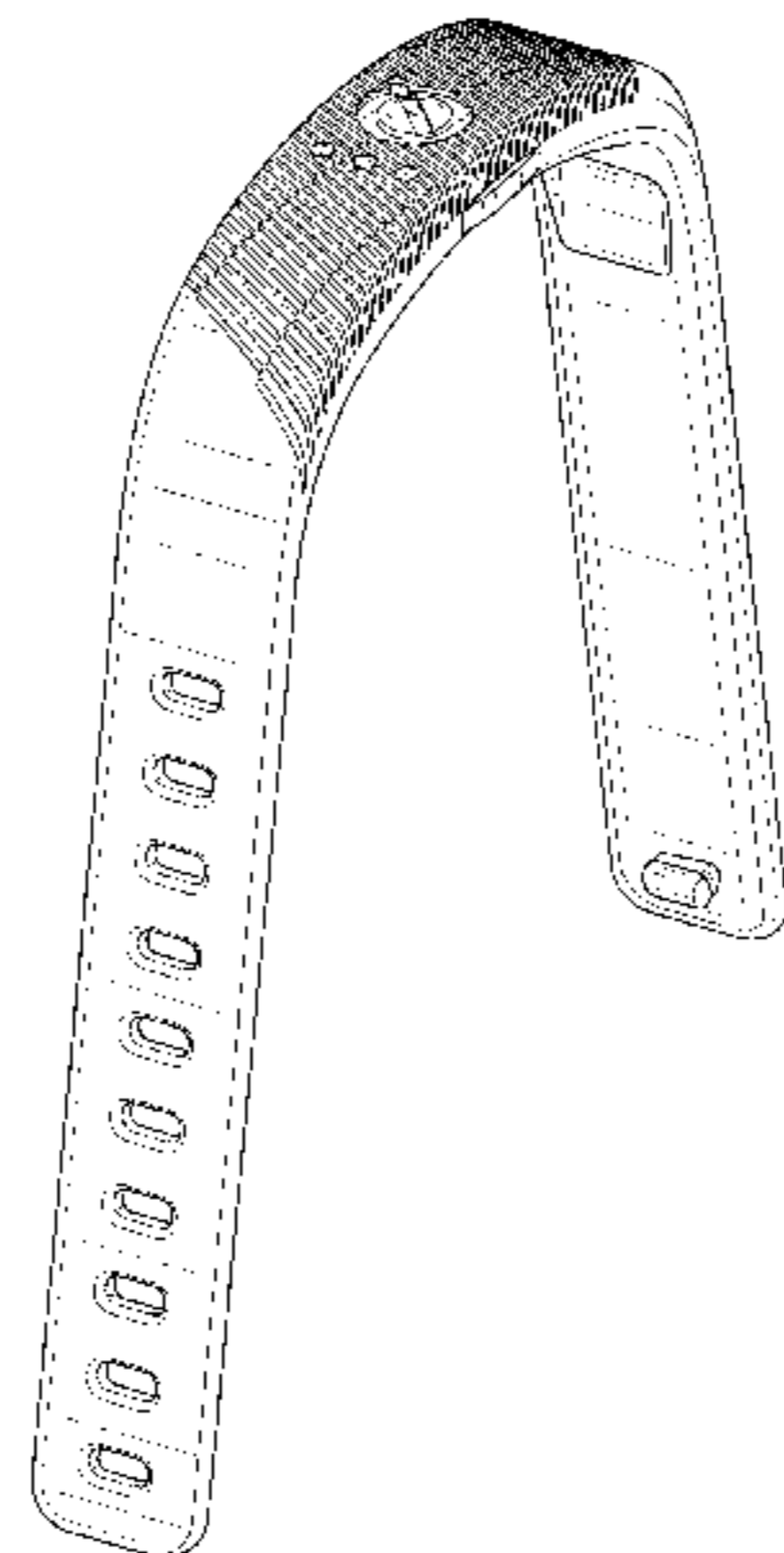
(57) **CLAIM**

We claim the ornamental design for a wearable device, as shown and described.

DESCRIPTION

FIG. 1 is a perspective view of a wearable device showing our new invention in a first embodiment;
FIG. 2 is a left side view thereof;
FIG. 3 is a right side view thereof;
FIG. 4 is a front view thereof;
FIG. 5 is a back view thereof;
FIG. 6 is a top view thereof;
FIG. 7 is a bottom view thereof;
FIG. 8 is a perspective view of the wearable device in a second embodiment;
FIG. 9 is a left side view thereof;
FIG. 10 is a right side view thereof;
FIG. 11 is a front view thereof;
FIG. 12 is a back view thereof;
FIG. 13 is a top view thereof;
FIG. 14 is a bottom view thereof;
FIG. 15 is a perspective view of the wearable device in a third embodiment;
FIG. 16 is a left side view thereof;
FIG. 17 is a right side view thereof;
FIG. 18 is a front view thereof;
FIG. 19 is a back view thereof;
FIG. 20 is a top view thereof;
FIG. 21 is a bottom view thereof;
FIG. 22 is a perspective view of the wearable device in a fourth embodiment;
FIG. 23 is a left side view thereof;
FIG. 24 is a right side view thereof;
FIG. 25 is a front view thereof;
FIG. 26 is a back view thereof;
FIG. 27 is a top view thereof; and
FIG. 28 is a bottom view thereof.

(Continued)



The broken lines shown in the figures depict portions of the wearable device that form no part of the claimed design.

1 Claim, 28 Drawing Sheets

(58) **Field of Classification Search**

USPC D11/78.1, 79, 86; D24/167, 169, D24/186-187, 164
 CPC A41D 1/002; A41D 19/0034; G06F 1/04; G06F 1/08; G06F 1/10; G06F 1/14; G06F 1/1626; G06F 1/1628; G06F 1/163; G06F 1/1635; G06F 1/3203; G06Q 20/10; G06Q 20/12; G06Q 20/108; G06Q 20/145; H04B 1/3833; H04B 1/385; H04B 1/3888; H04M 1/02; H04M 1/03; H04M 1/04; H04M 1/05; H04M 1/667; H04M 1/6058; Y02B 60/1217

See application file for complete search history.

(56) **References Cited**

U.S. PATENT DOCUMENTS

D508,741 S	8/2005	Mitrevis
D509,760 S	9/2005	Burrell
D513,806 S	1/2006	Mitrevis
D549,602 S	8/2007	Oberrieder et al.
D550,105 S	9/2007	Oberrieder et al.
D560,520 S	1/2008	Oberrieder et al.
D562,888 S	2/2008	Brown
D565,095 S	3/2008	Brown
D565,096 S	3/2008	Brown
D565,097 S	3/2008	Brown
D596,510 S	7/2009	Register et al.
D610,922 S	3/2010	Lammers-Meis et al.
D657,697 S	4/2012	Lammers-Meis et al.
D660,726 S	5/2012	Register et al.
D661,206 S	6/2012	Register et al.
D682,712 S	5/2013	Lammers-Meis et al.
D706,531 S	6/2014	Park et al.
D707,041 S	6/2014	Park et al.
D714,672 S	10/2014	Park et al.
D715,665 S	10/2014	Park et al.
D715,666 S	10/2014	Park et al.
D715,668 S	10/2014	Roush et al.
D717,680 S	11/2014	Park et al.
D718,647 S	12/2014	Roush et al.
D720,249 S	12/2014	Park et al.
D720,635 S	1/2015	Park et al.
D724,468 S	3/2015	Tan et al.
D725,497 S	3/2015	Henne et al.

D725,510 S	*	3/2015	Henning	D10/70
D727,183 S		4/2015	Park et al.		
D727,759 S		4/2015	Martinez et al.		
D729,658 S	*	5/2015	Behar	D10/70
D729,806 S		5/2015	Park et al.		
D733,604 S		7/2015	Tan et al.		
D737,716 S		9/2015	Tan et al.		
D738,769 S		9/2015	Tan et al.		
D739,268 S		9/2015	Lammers-Meis et al.		
D739,768 S		9/2015	Hanshew et al.		
D740,136 S		10/2015	Henne et al.		
D742,254 S		11/2015	Greusel et al.		
D742,761 S		11/2015	Grazian et al.		
D746,776 S		1/2016	Park et al.		
D749,002 S		2/2016	Park et al.		
D756,240 S		5/2016	Register et al.		
D757,583 S	*	5/2016	Roush	D10/70
D759,516 S	*	6/2016	Ling	D10/30
D759,523 S		6/2016	Ling et al.		
D759,826 S		6/2016	Martinez et al.		
D763,107 S		8/2016	Nielsen et al.		
D763,719 S		8/2016	Nielsen et al.		
D766,758 S		9/2016	Park et al.		
D768,028 S		10/2016	Ling et al.		
D772,081 S		11/2016	Lee et al.		
D777,590 S		1/2017	Nielsen et al.		
D790,994 S		4/2017	Nielsen et al.		
D789,929 S	*	6/2017	Tan	D14/344
D790,374 S		6/2017	Lean et al.		
D795,719 S		8/2017	Lean et al.		
D796,368 S		9/2017	Lowe et al.		
D800,109 S	*	10/2017	Rouillac	D14/344
D800,596 S	*	10/2017	Ling	D11/5
D802,453 S	*	11/2017	Page	D10/70
9,939,787 B2	*	4/2018	Baek	G04G 17/04
D816,668 S	*	5/2018	Wu	D14/344
2016/0072554 A1	*	3/2016	Sharma	H04B 5/0031 455/41.1
2017/0083046 A1	*	3/2017	Seok	A61B 5/681
2018/0039303 A1	*	2/2018	Hashimoto	G02F 1/167

OTHER PUBLICATIONS

Sony SmartBand SWR10 Black, posted Dec. 21, 2016, [retrieved Jul. 26, 2018]. Retrieved from Internet, <URL: <https://www.skrouz.gr/s/5061399/Sony-SmartBand-SWR10-Black.html#reviews> >.*
 オリジナル小米科技 ミバンド2スマートリストバンドハートレートモニター, posted Aug. 29, 2017, [retrieved Jul. 26, 2018]. Retrieved from Internet, <URL: <https://www.amazon.co.jp/MI> >.*
 U.S. Appl. No. 29/612,585, filed Aug. 2, 2017; corresponds to GSK.
 U.S. Appl. No. 29/612,586, filed Aug. 2, 2017; corresponds to GSK.
 U.S. Appl. No. 29/612,587, filed Aug. 2, 2017; corresponds to GSK.
 U.S. Appl. No. 16/002,263, filed Jun. 7, 2018; corresponds to GSK.

* cited by examiner

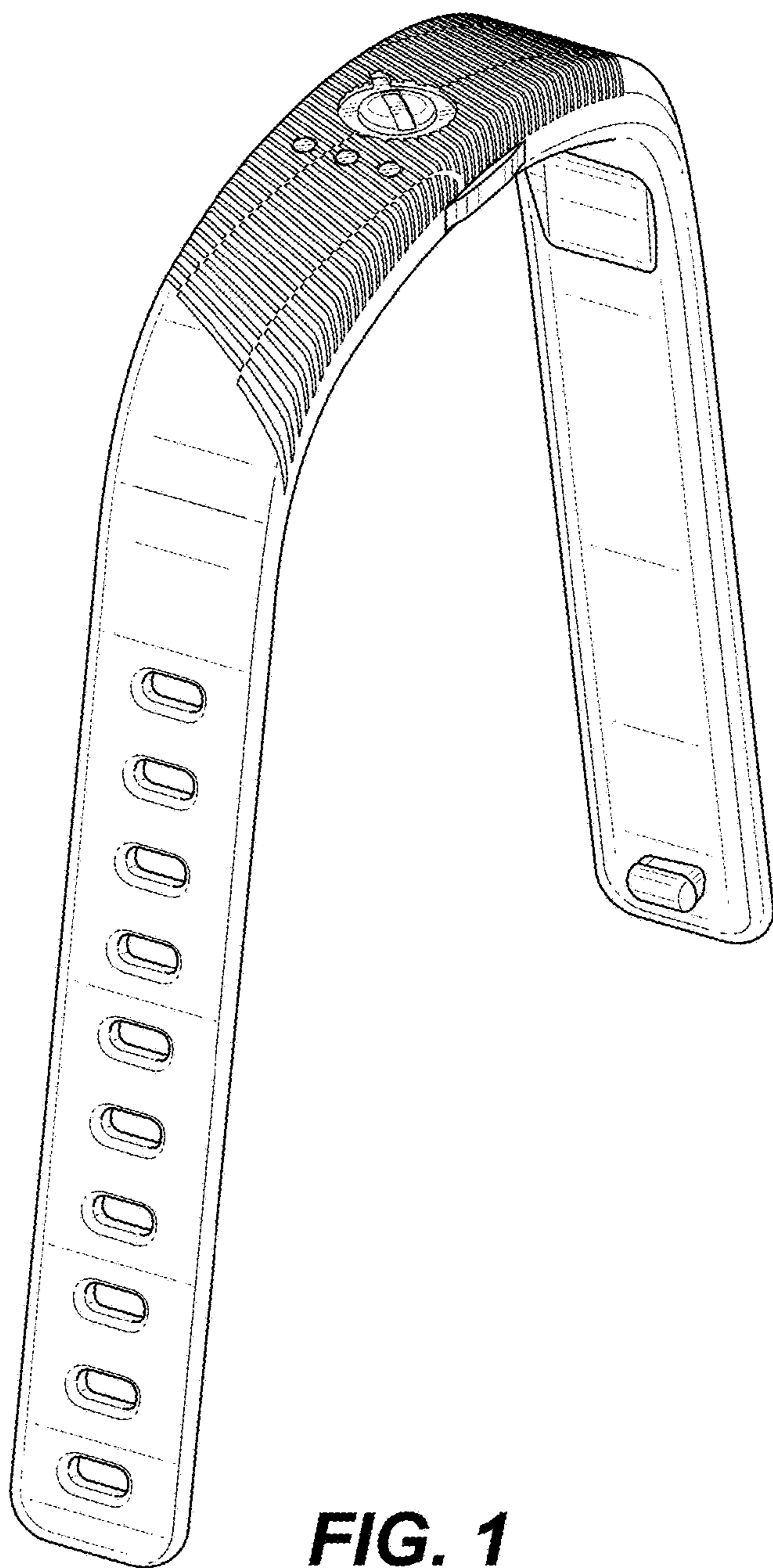


FIG. 1

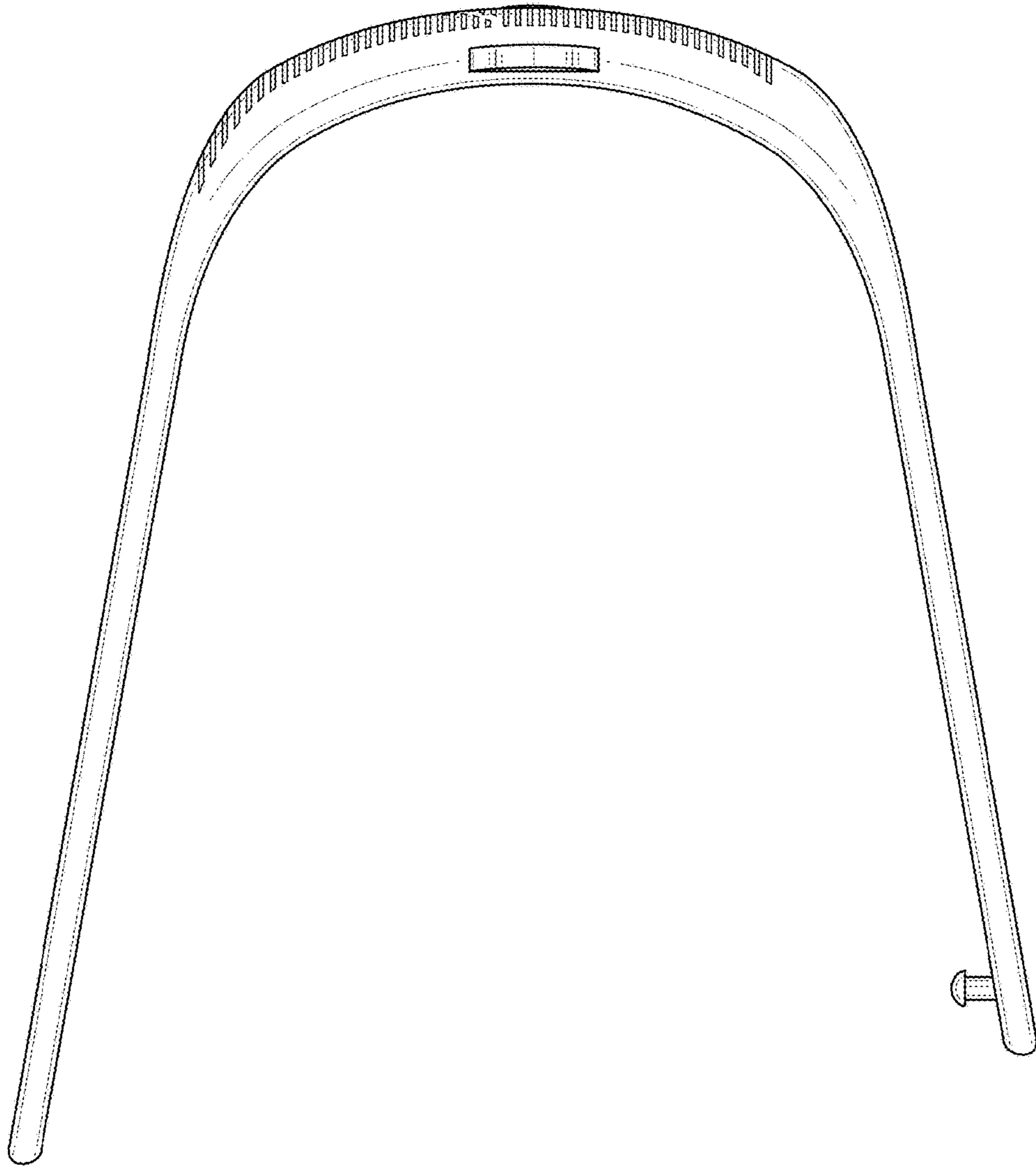


FIG. 2

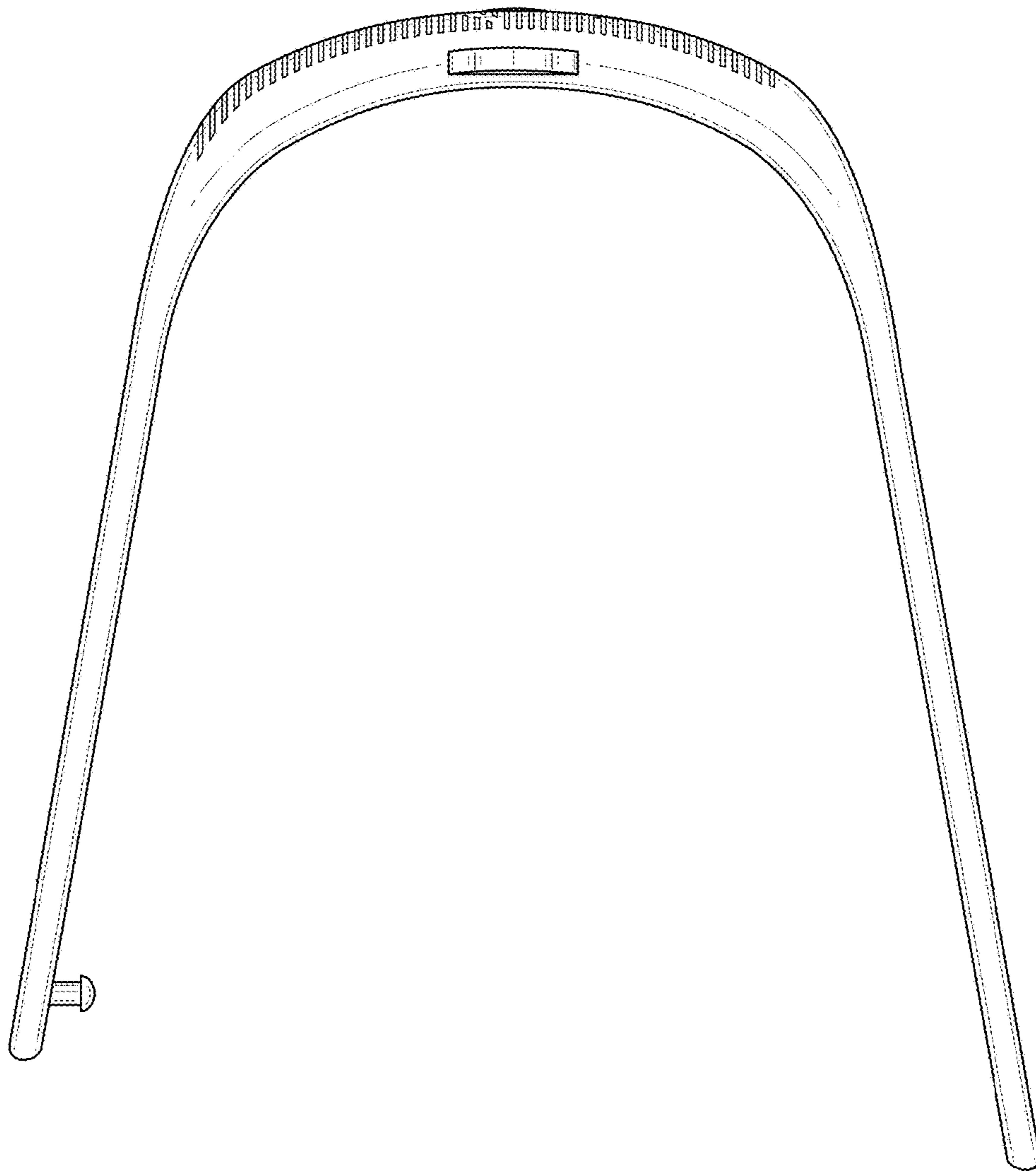


FIG. 3

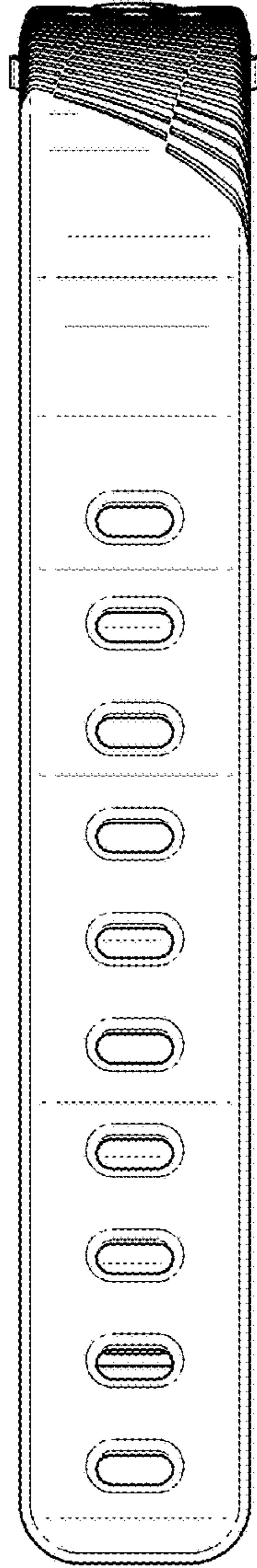


FIG. 4

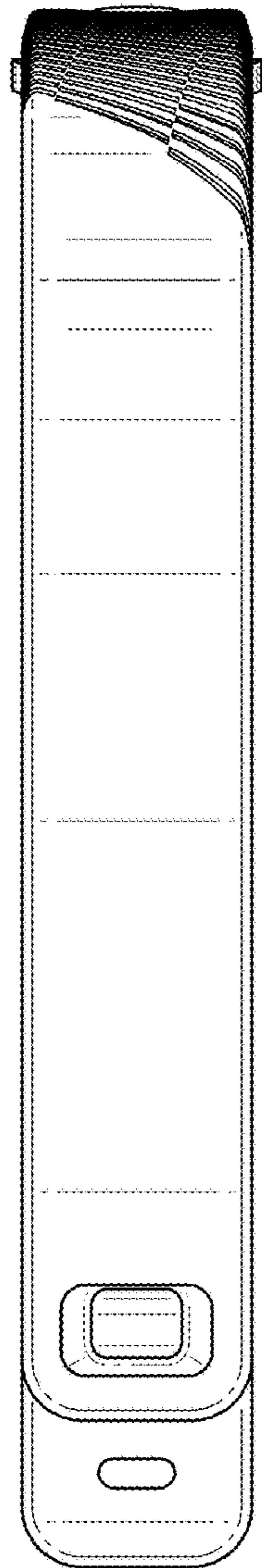


FIG. 5

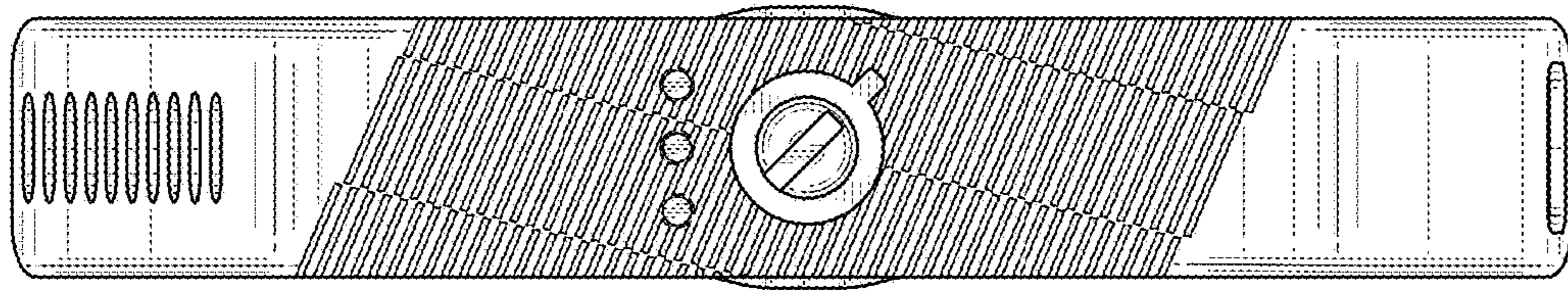


FIG. 6

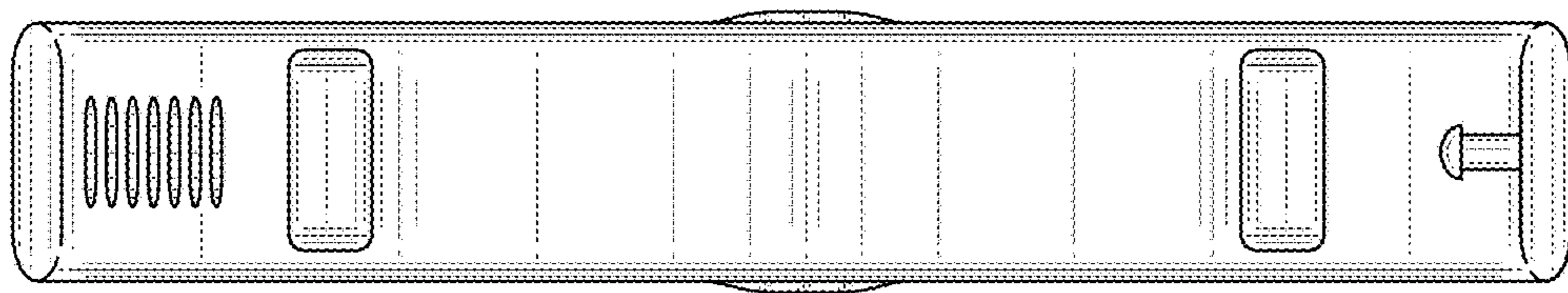


FIG. 7

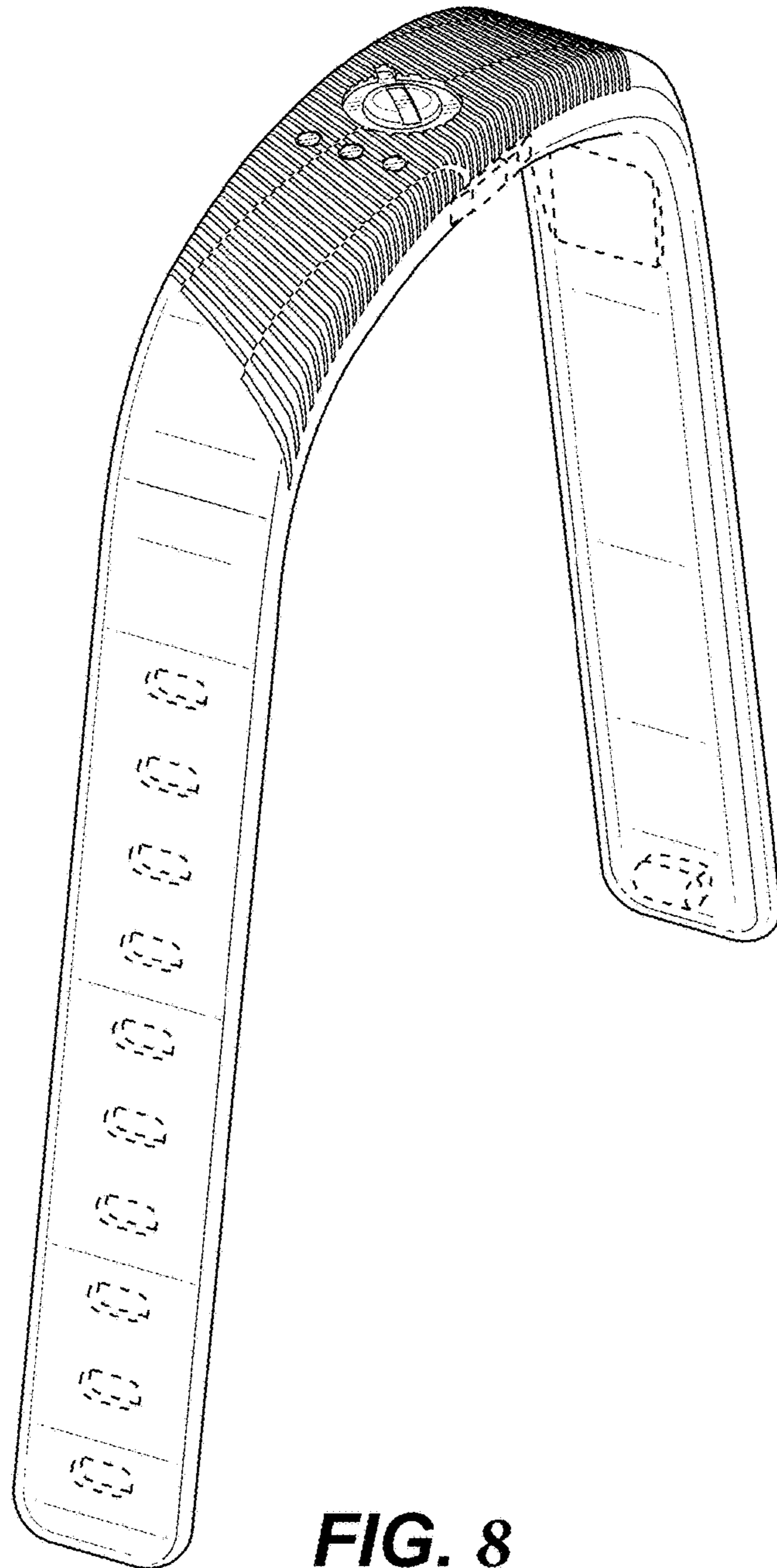


FIG. 8

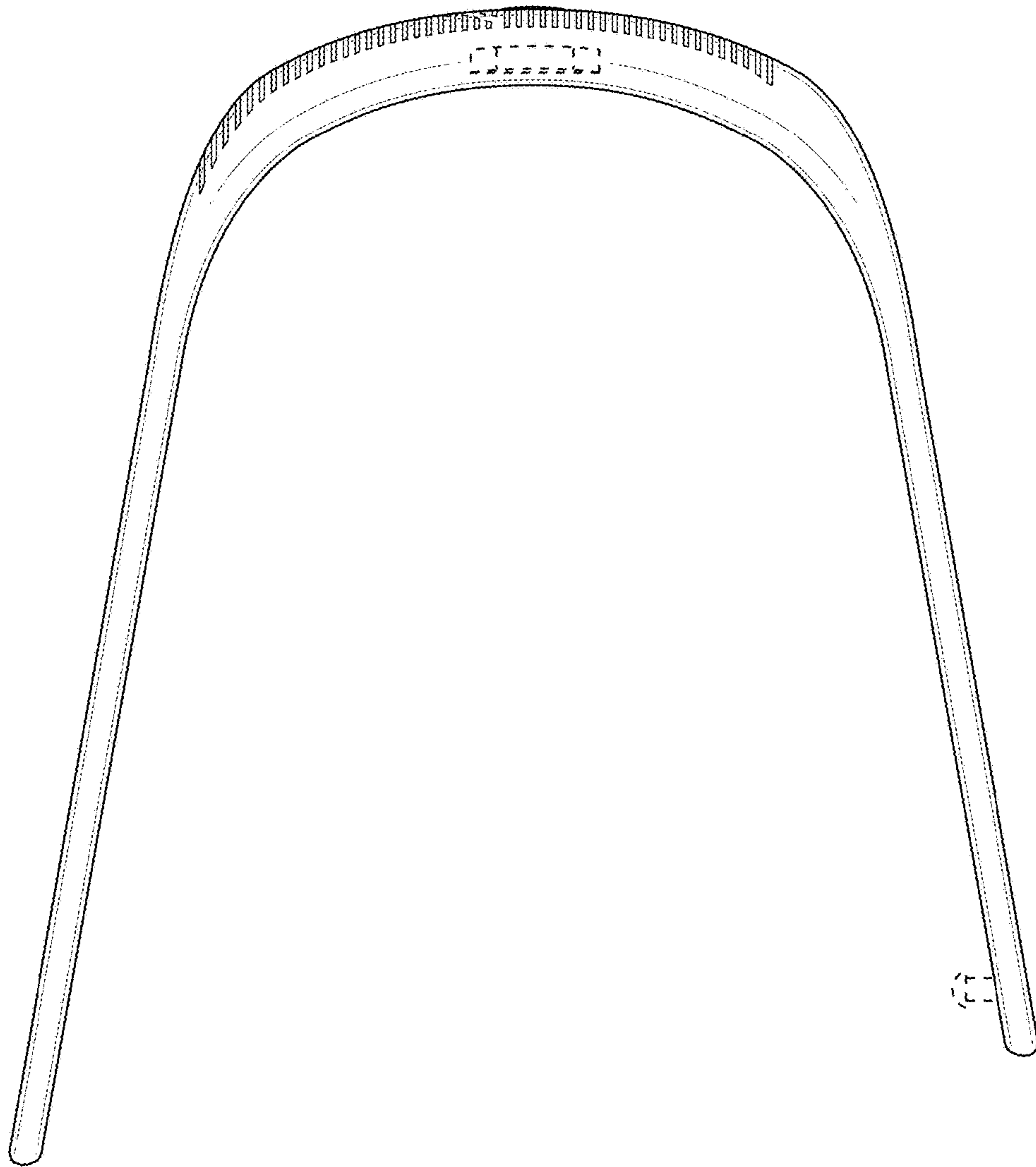


FIG. 9

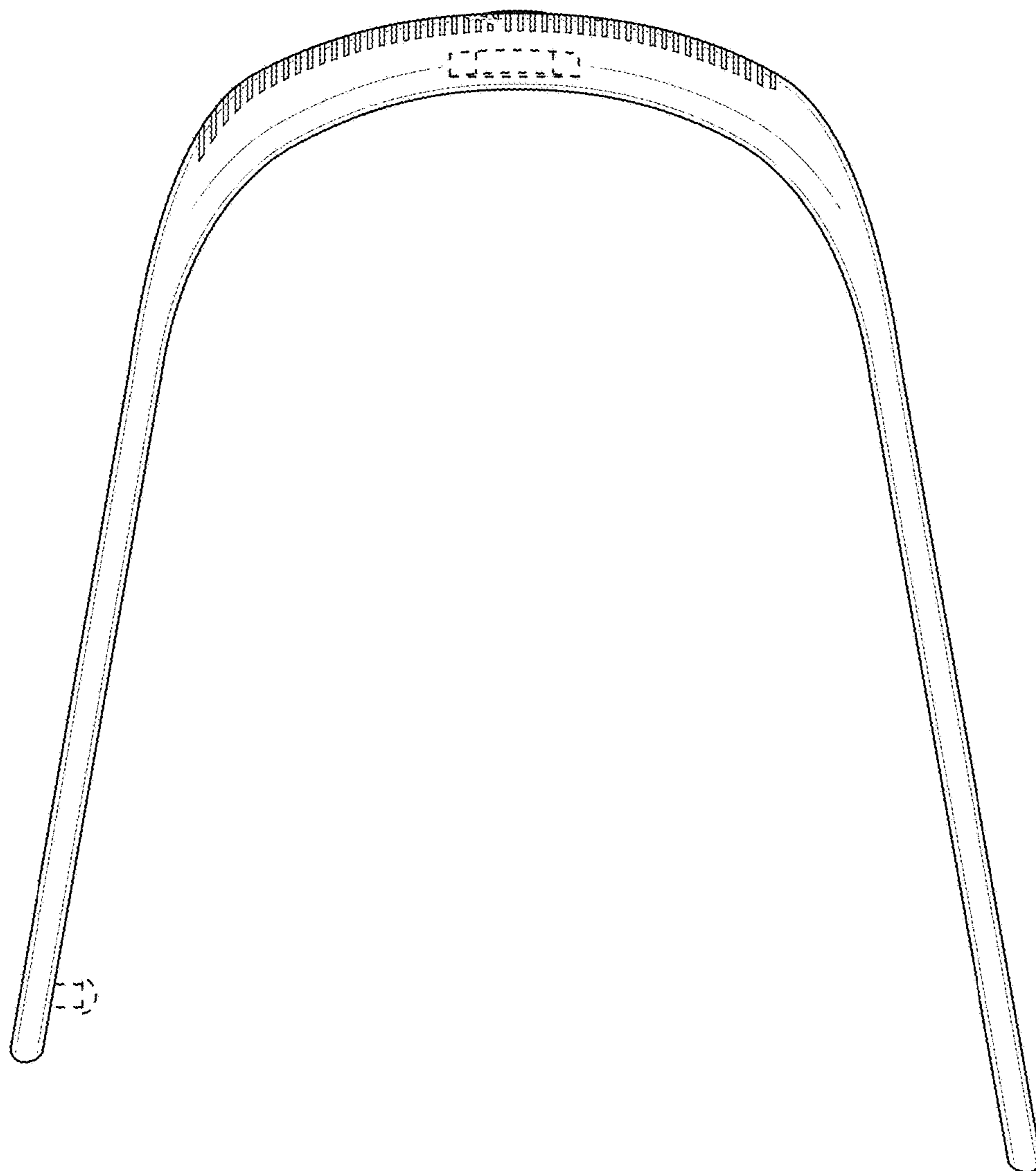


FIG. 10

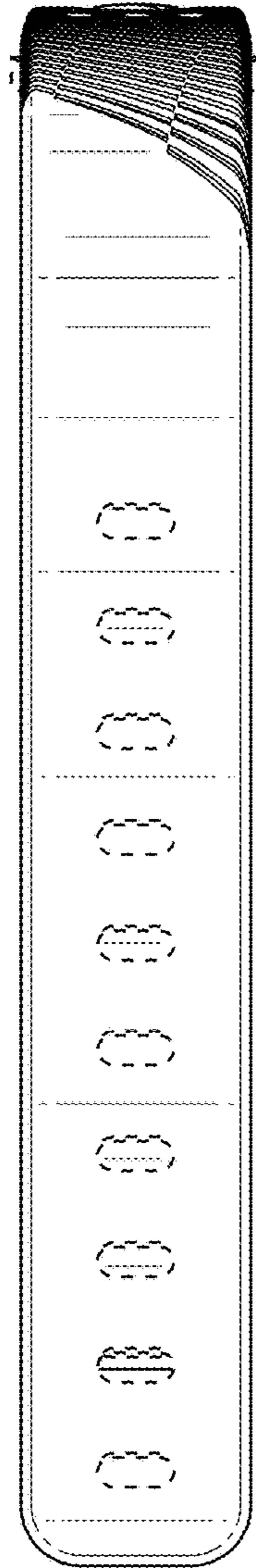


FIG. 11

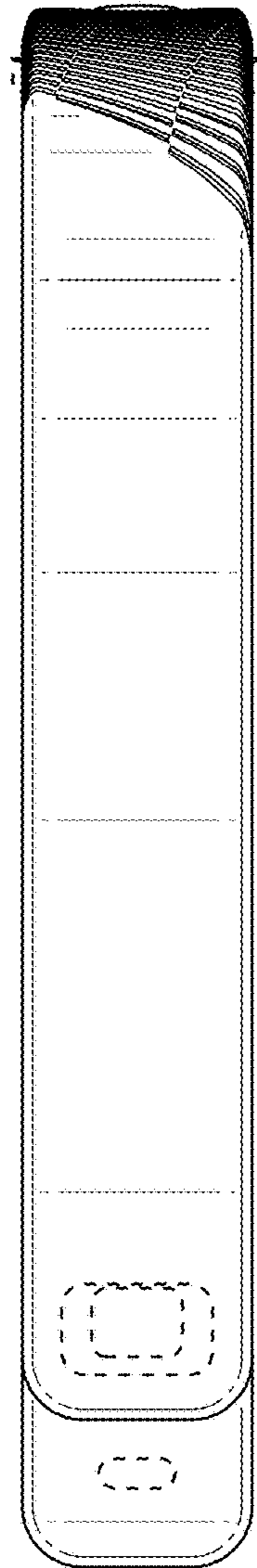


FIG. 12

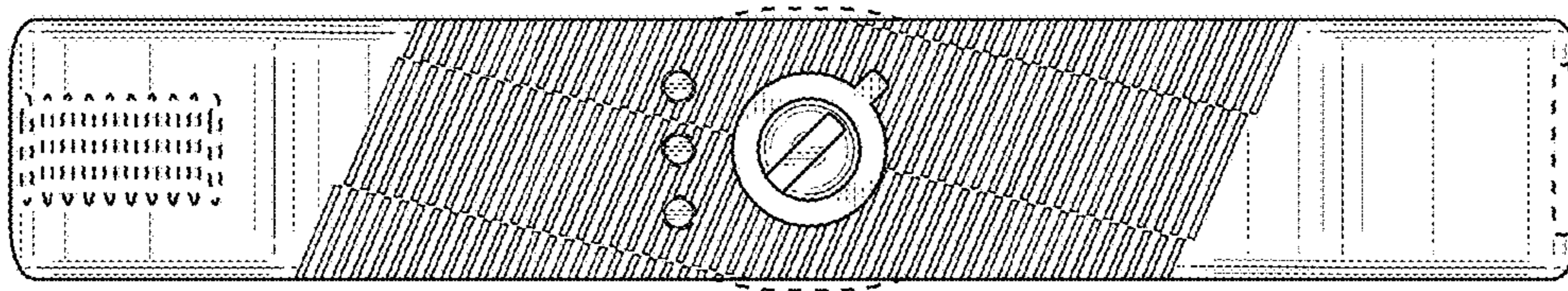


FIG. 13

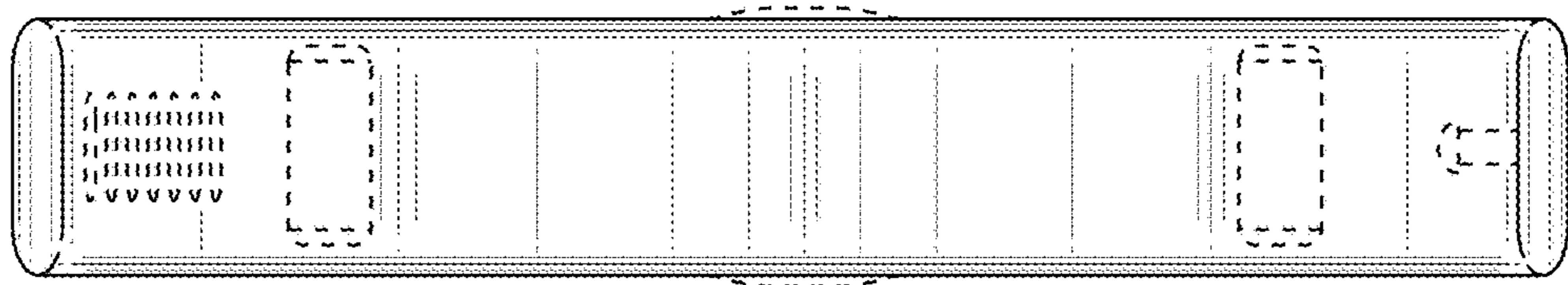


FIG. 14

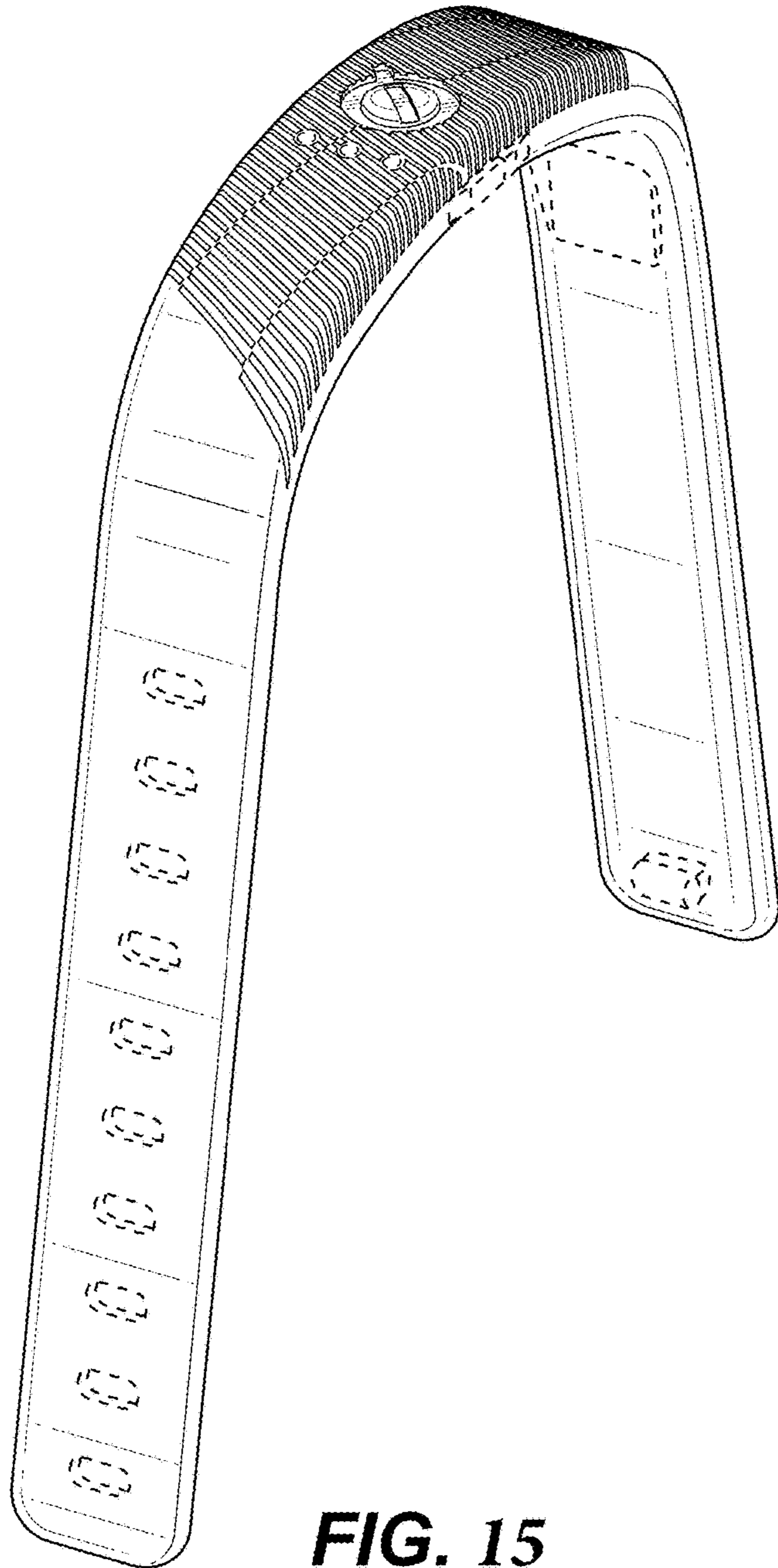


FIG. 15

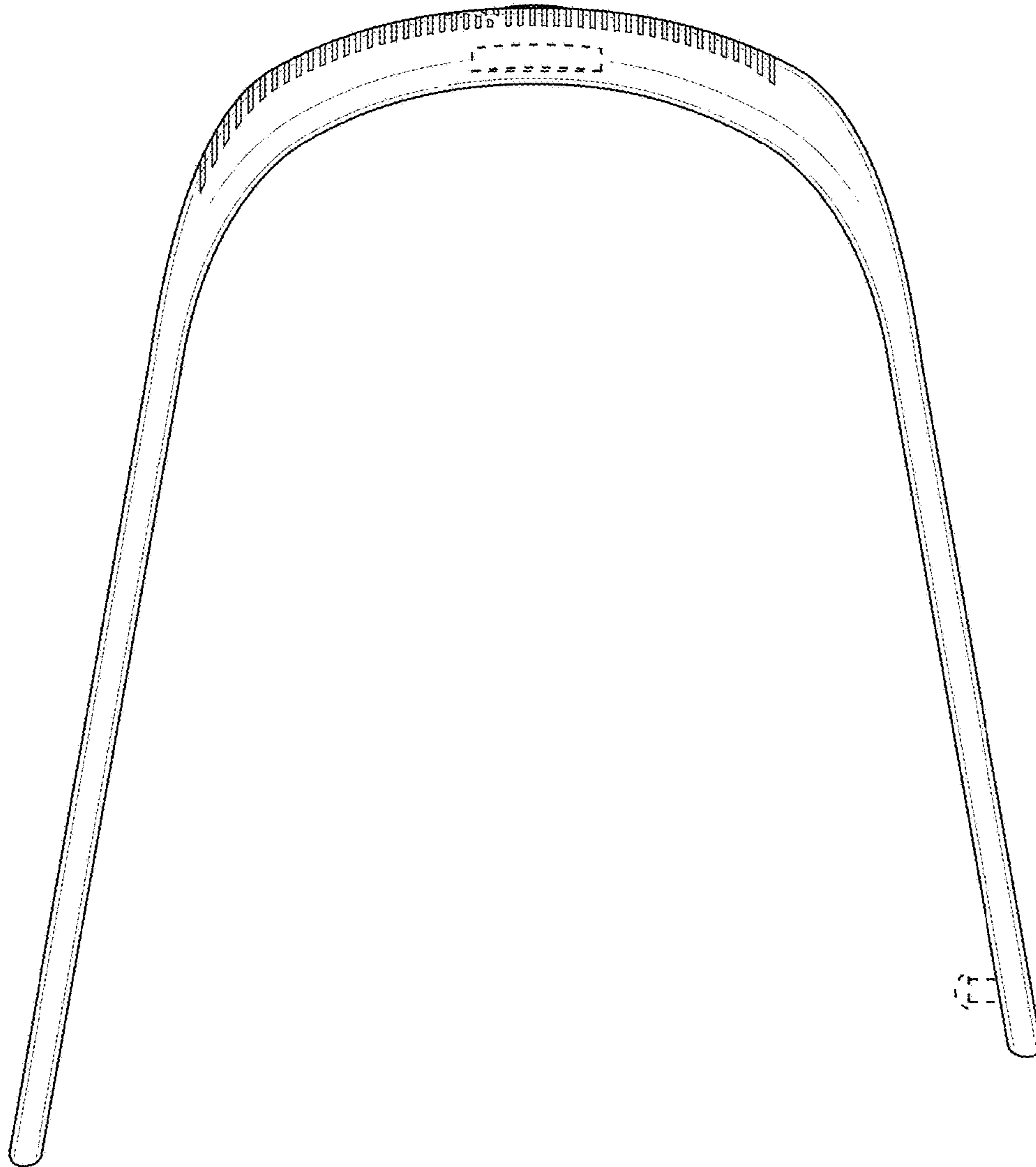


FIG. 16

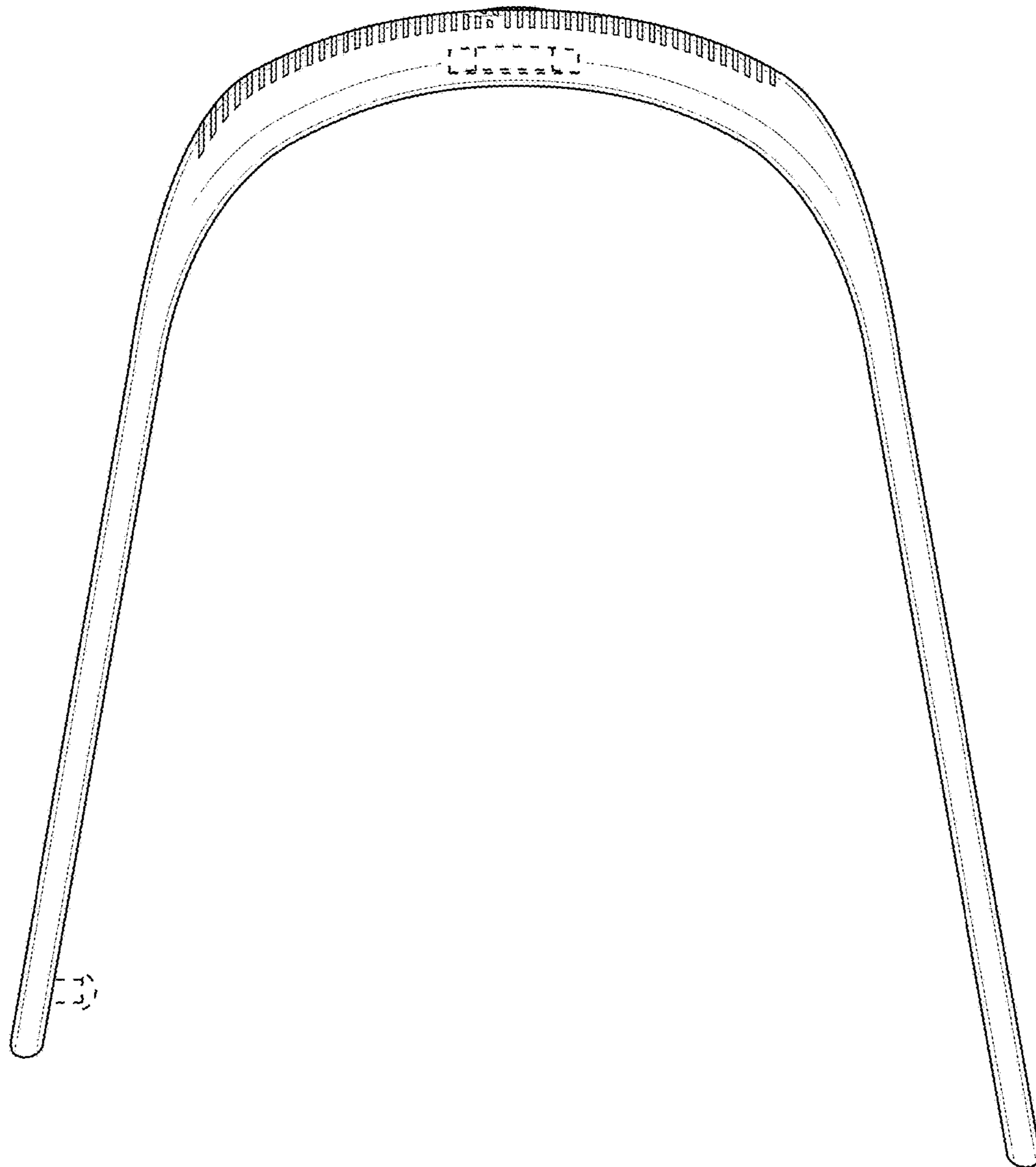


FIG. 17

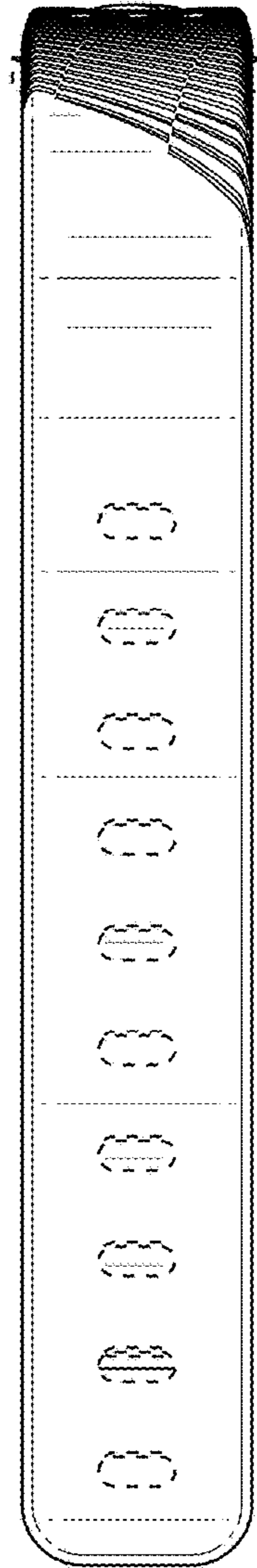


FIG. 18

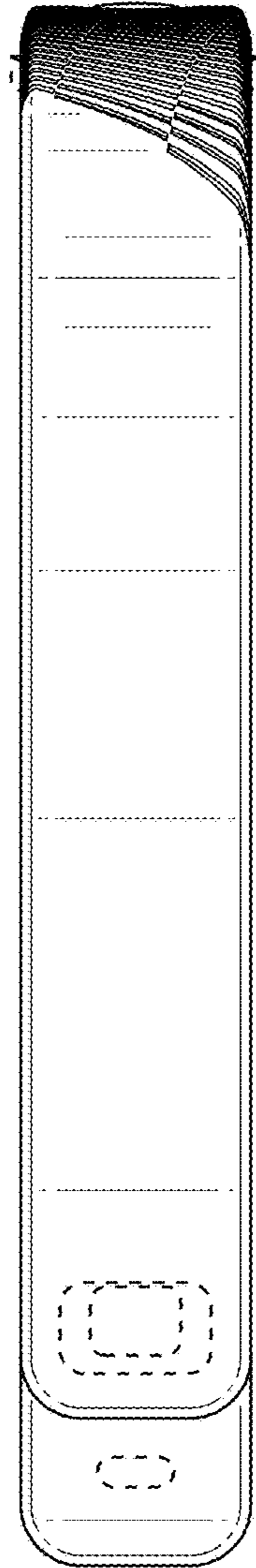


FIG. 19

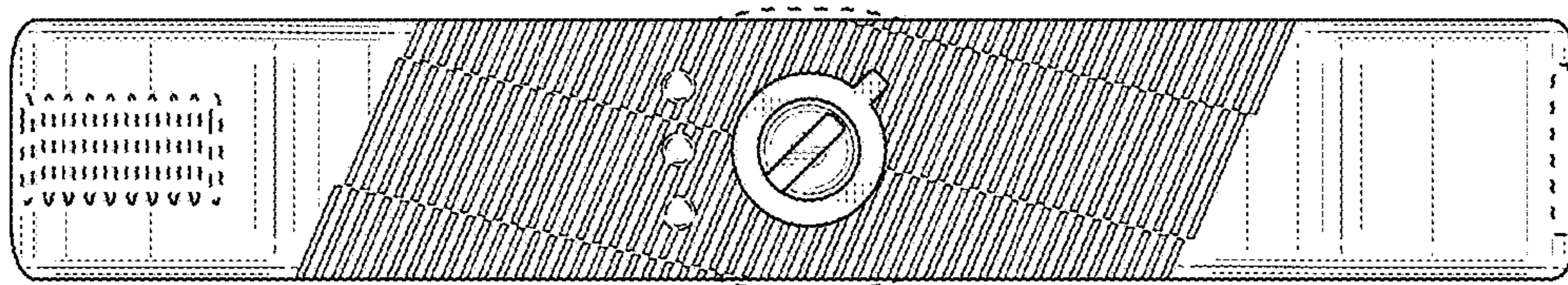


FIG. 20

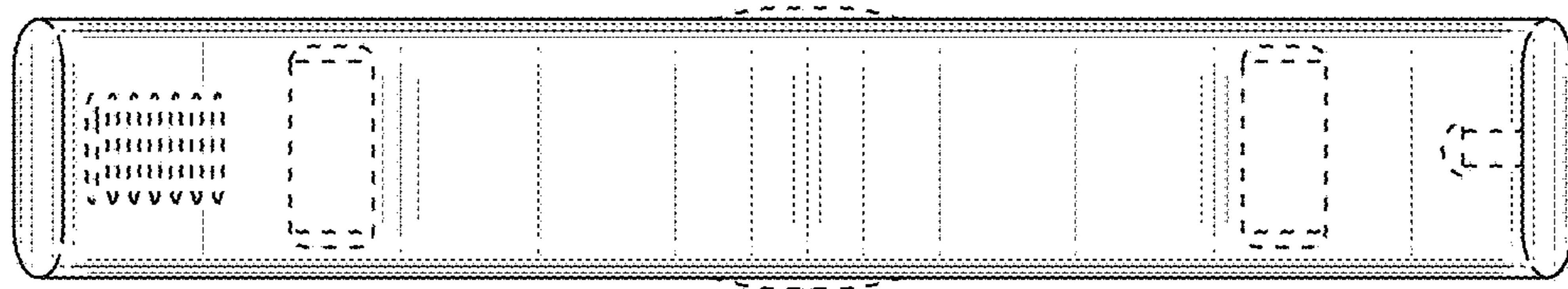


FIG. 21

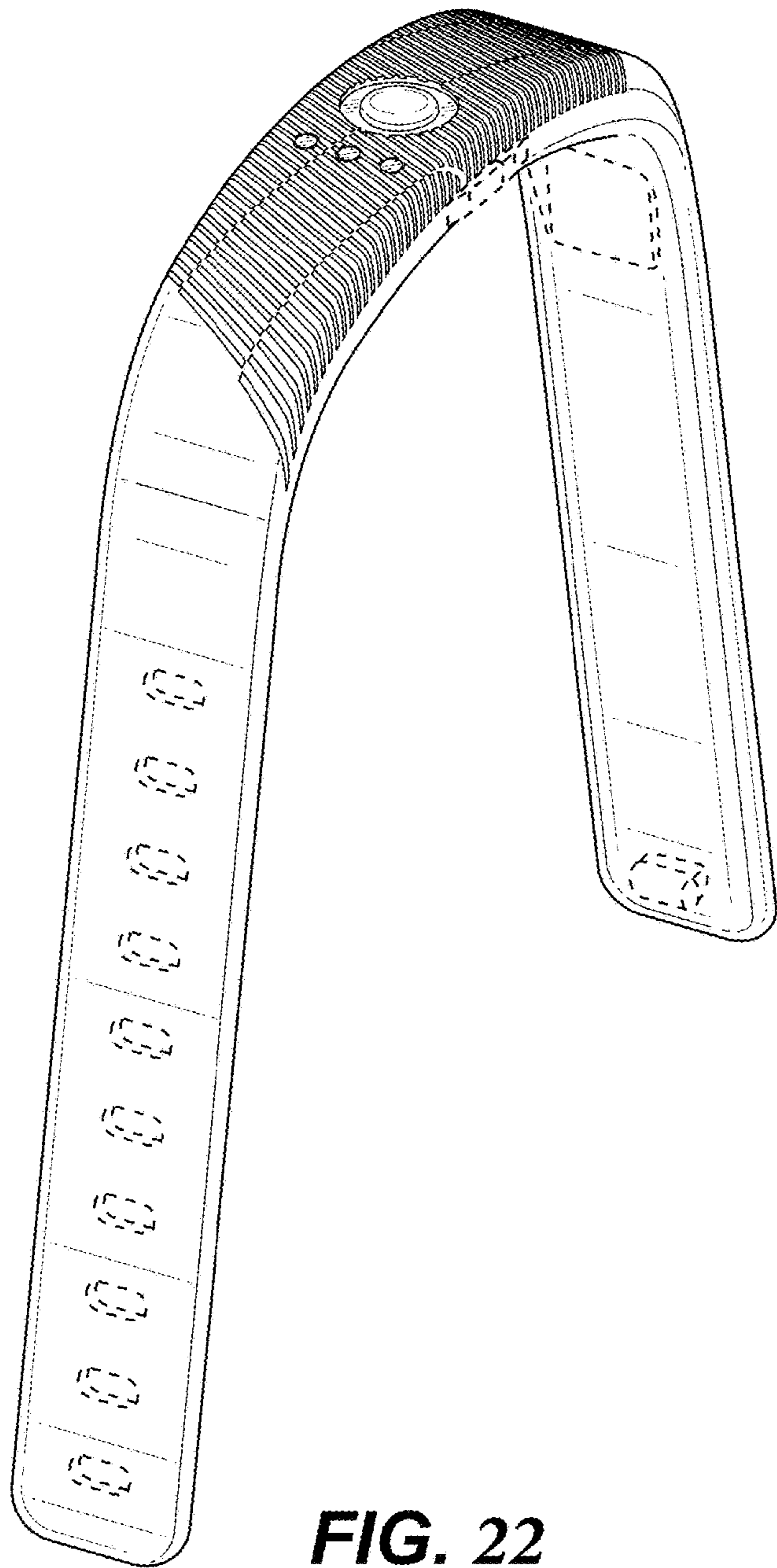


FIG. 22

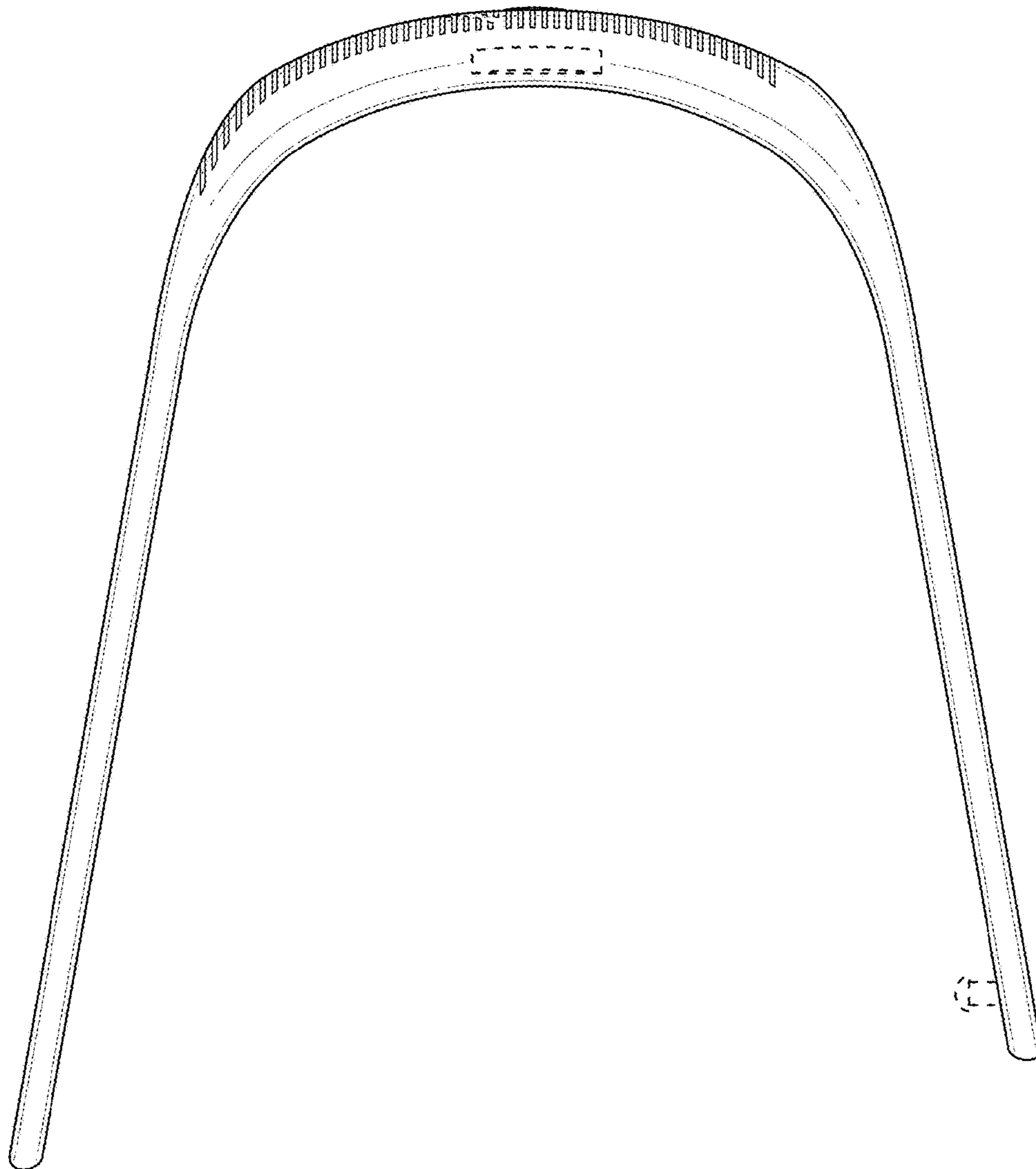


FIG. 23

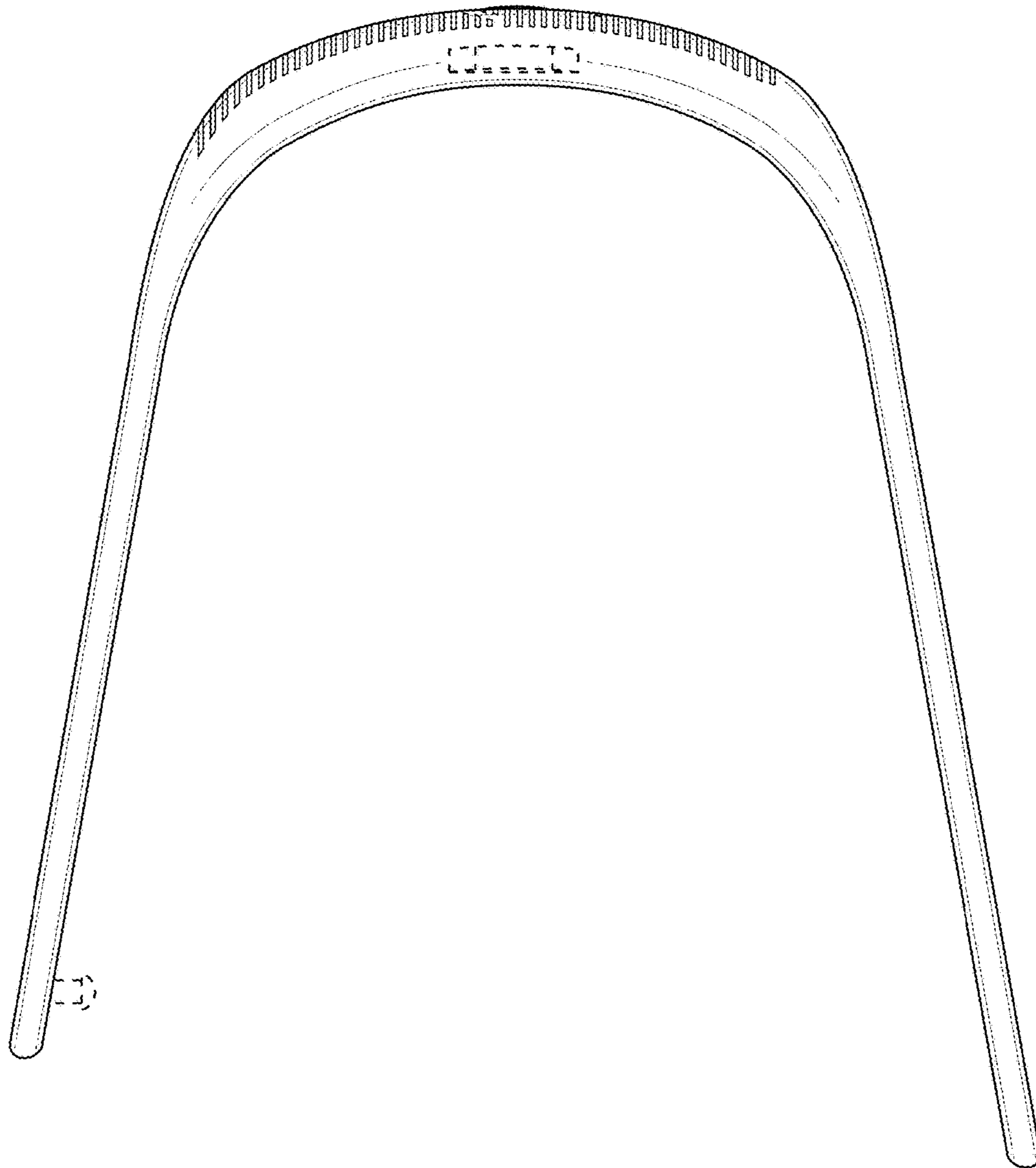


FIG. 24

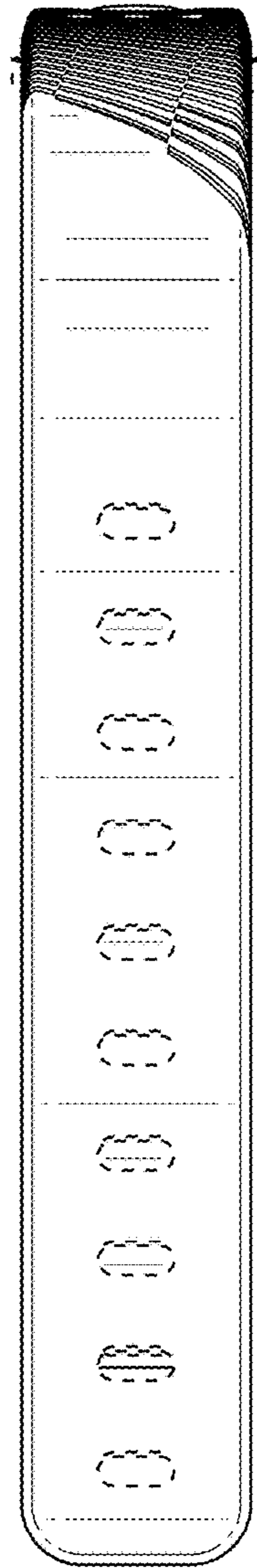


FIG. 25

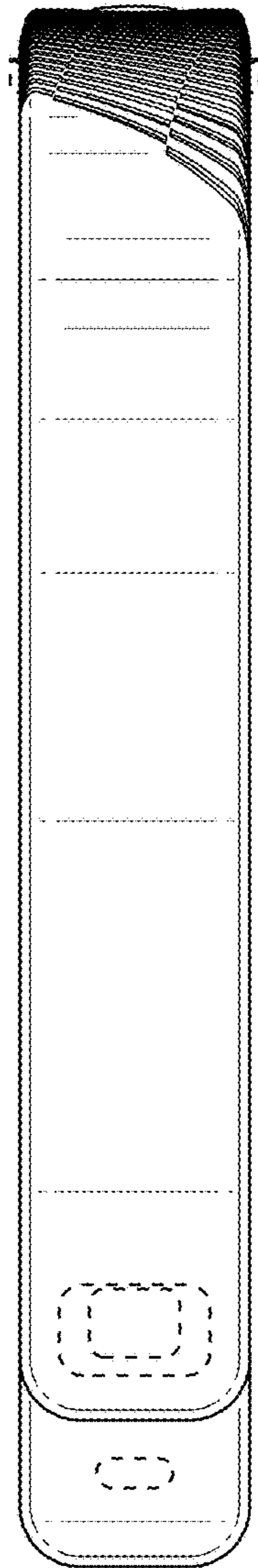


FIG. 26

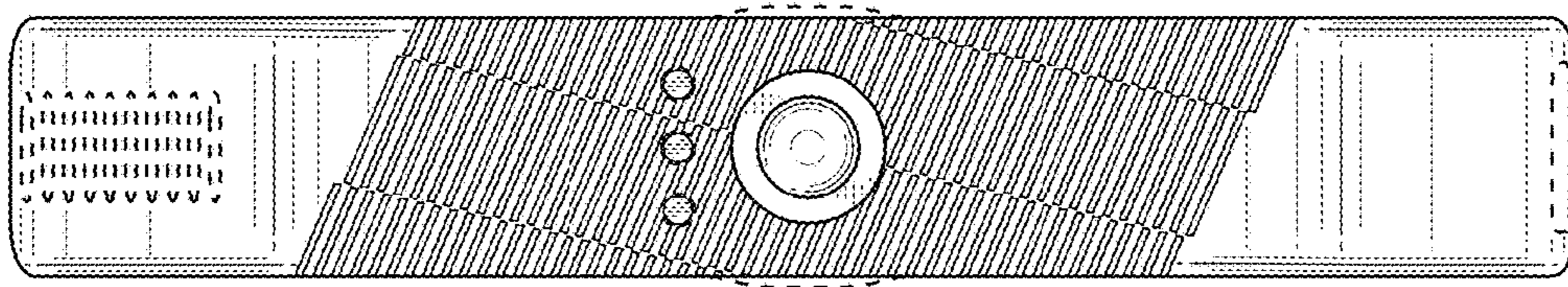


FIG. 27

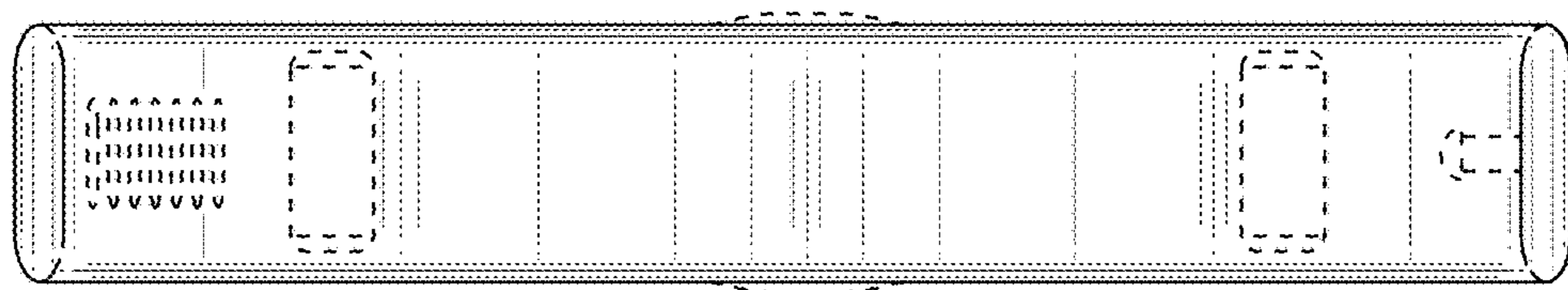


FIG. 28