



US00D854538S

(12) **United States Design Patent** (10) **Patent No.:** **US D854,538 S**
Szeredi et al. (45) **Date of Patent:** **** Jul. 23, 2019**

(54) **SELF-SERVICE KIOSK**

(71) Applicant: **SITA Information Networking Computing Canada Inc.**, Montreal (CA)

(72) Inventors: **Bonnie Lynn Szeredi**, Hamilton (CA); **Matthew Joseph Salari**, Montreal (CA); **Kirk Mosna**, Hamilton (CA); **Steve Orzel**, Hamilton (CA); **Graham Hills**, Hamilton (CA); **Harmandeep Dhaliwal**, Brampton (CA)

(73) Assignee: **SITA Information Networking Computing Canada, Inc.**, Montreal (CA)

(**) Term: **15 Years**

(21) Appl. No.: **29/668,681**

(22) Filed: **Nov. 1, 2018**

Related U.S. Application Data

(62) Division of application No. 29/606,791, filed on Jun. 7, 2017, now Pat. No. Des. 836,625.

(30) **Foreign Application Priority Data**

Dec. 8, 2016 (EM) 003507565-0004
Dec. 8, 2016 (EM) 003507565-0005
Dec. 8, 2016 (EM) 003507565-0006

(51) **LOC (11) Cl.** **14-02**

(52) **U.S. Cl.**
USPC **D14/307**

(58) **Field of Classification Search**
USPC D14/302-307, 900-902; D13/163; D20/10; D21/332, 325, 369, 370;
(Continued)

(56) **References Cited**

U.S. PATENT DOCUMENTS

5,748,850 A 5/1998 Sakurai
5,793,639 A 8/1998 Yamazaki
(Continued)

FOREIGN PATENT DOCUMENTS

DE 102009020228 A1 11/2010
EP 1308864 A1 5/2003
(Continued)

Primary Examiner — Austin Murphy

(74) *Attorney, Agent, or Firm* — Morris, Manning & Martin LLP; Daniel E. Sineway, Esq.; Bryan D. Stewart, Esq.

(57) **CLAIM**

The ornamental design for the self-service kiosk, as shown and described.

DESCRIPTION

FIG. 1 is a perspective view of an exemplary self-service kiosk, according to one embodiment of the present disclosure.

FIG. 2 is a front view of an exemplary self-service kiosk, according to one embodiment of the present disclosure.

FIG. 3 is a back view of an exemplary self-service kiosk, according to one embodiment of the present disclosure.

FIG. 4 is a side view of an exemplary self-service kiosk, according to one embodiment of the present disclosure.

FIG. 5 is a side view of an exemplary self-service kiosk, according to one embodiment of the present disclosure.

FIG. 6 is a top view of an exemplary self-service kiosk, according to one embodiment of the present disclosure; and,

(Continued)

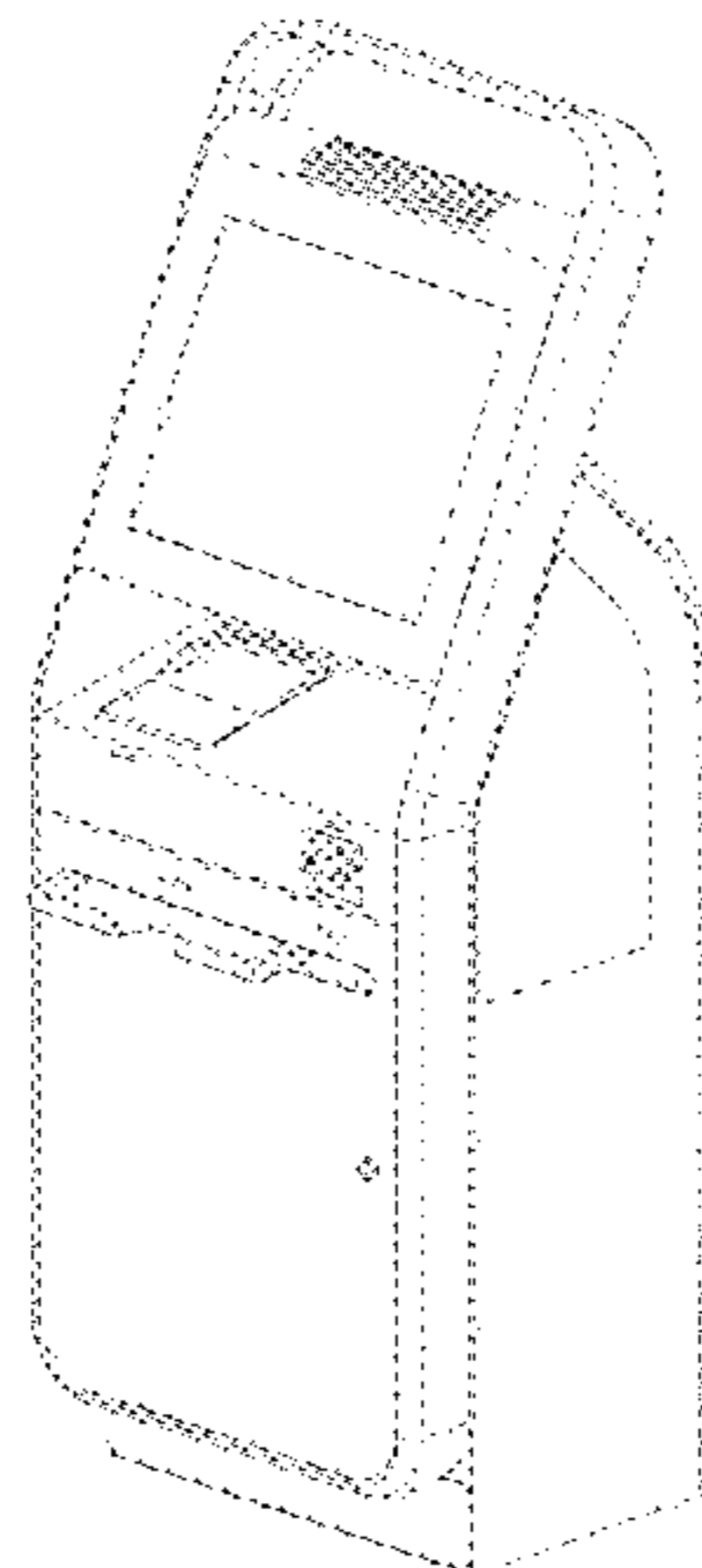


FIG. 7 is a bottom view of an exemplary self-service kiosk, according to one embodiment of the present disclosure.

1 Claim, 7 Drawing Sheets

(58) Field of Classification Search

USPC D99/28; 194/206; D6/397, 466;
 361/679.01, 679.02, 679.04, 679.21,
 361/679.57, 725
 CPC G06Q 20/18; G06Q 20/10; G06Q 20/123;
 G06Q 20/20; G06Q 30/02; G06Q 30/06;
 A47F 9/047

See application file for complete search history.

(56) References Cited

U.S. PATENT DOCUMENTS

5,897,620	A	4/1999	Walker	
6,044,353	A	3/2000	Pugliese, III	
6,259,405	B1	7/2001	Stewart	
6,414,635	B1	7/2002	Stewart	
6,553,336	B1	4/2003	Johnson	
6,735,630	B1	5/2004	Gelvin	
6,736,322	B2	5/2004	Gobburu	
6,758,394	B2	7/2004	Maskatiya	
6,972,682	B2	12/2005	Lareau	
7,027,808	B2	4/2006	Wesby	
7,275,689	B2	10/2007	Mak	
7,486,171	B2	2/2009	Kim	
7,599,847	B2	10/2009	Block	
8,229,458	B2	7/2012	Busch	
8,467,726	B2	6/2013	Shirakata	
8,509,441	B2	8/2013	Yoon	
8,521,681	B2	8/2013	Ouchi	
8,631,358	B2	1/2014	Louch	
8,665,238	B1	3/2014	Gossweiler, III	
D705,213	S *	5/2014	Smith	D14/307
8,949,142	B1	2/2015	Angrish	
8,977,568	B1	3/2015	Schattauer	
D727,307	S *	4/2015	Kraft	D14/307
D727,308	S *	4/2015	Kraft	D14/307
9,024,752	B2	5/2015	Tumayan	
9,026,461	B2	5/2015	Calman	

D732,520	S *	6/2015	Themann	D14/307
9,047,512	B2	6/2015	Otis	
9,134,955	B2	9/2015	Healey	
9,141,325	B2	9/2015	Dersy	
9,239,246	B2	1/2016	Jones	
9,275,550	B1	3/2016	Stefani	
D762,635	S *	8/2016	Szeredi	D14/307
D774,029	S *	12/2016	Kim	D14/307
9,541,632	B2	1/2017	Frank	
9,552,564	B1	1/2017	Martenis	
D781,843	S *	3/2017	Horn, II	D14/307
D782,467	S *	3/2017	Bladwell	D14/307
9,589,262	B2	3/2017	Graylin	
9,589,405	B2	3/2017	Cabouli	
9,599,989	B1	3/2017	Brown	
D783,596	S *	4/2017	Payne	D14/307
D788,098	S *	5/2017	Thornton	D14/307
D792,388	S *	7/2017	Taylor	D14/307
9,710,920	B2	7/2017	Utsunomiya	
9,749,831	B2	8/2017	Lee	
D799,471	S *	10/2017	Brown	D14/307
D800,715	S *	10/2017	Kane	D14/307
D805,065	S *	12/2017	Taylor	D14/307
D811,381	S *	2/2018	Morohoshi	D14/307
D813,223	S *	3/2018	Munro	D14/307
D816,077	S *	4/2018	Benic	D14/307
D829,706	S *	10/2018	Berini	D14/307
D836,625	S *	12/2018	Szeredi	D14/307
2005/0258230	A1	11/2005	Vviater	
2009/0266882	A1	10/2009	Sajkowsky	
2009/0289104	A1 *	11/2009	Yoneda	G06F 1/16 235/375
2012/0041313	A1	2/2012	Tanaka	
2014/0223043	A1	8/2014	Dersy	
2016/0152350	A1	6/2016	Puentes	
2016/0180255	A1	6/2016	Goedemondt	
2017/0004444	A1	1/2017	Krasko	
2017/0032263	A1	2/2017	Yuan	

FOREIGN PATENT DOCUMENTS

EP	0770546	B1	12/2003
EP	2932902	B1	12/2016
EP	1872294	B1	11/2017
JP	2003157984	A	5/2003
JP	2017129981	A	7/2017

* cited by examiner

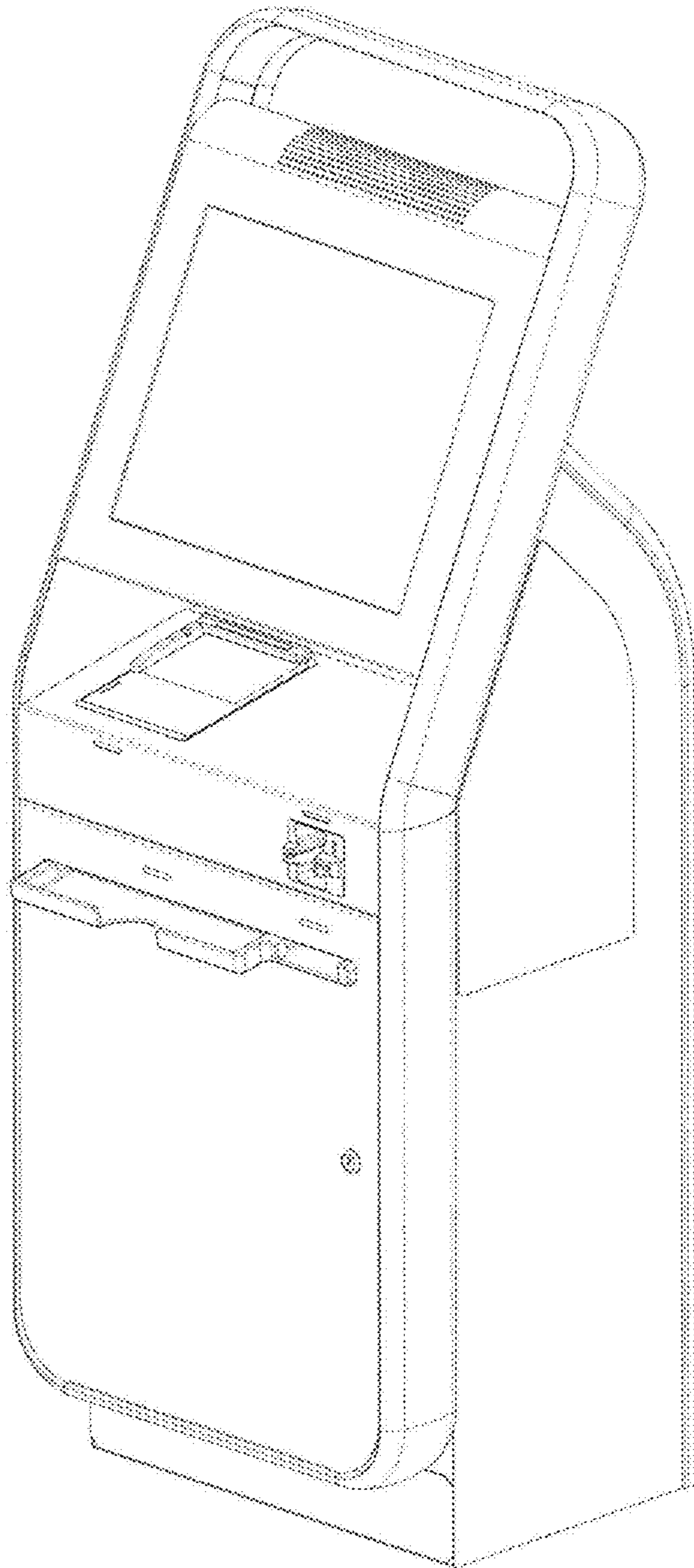


Figure 1

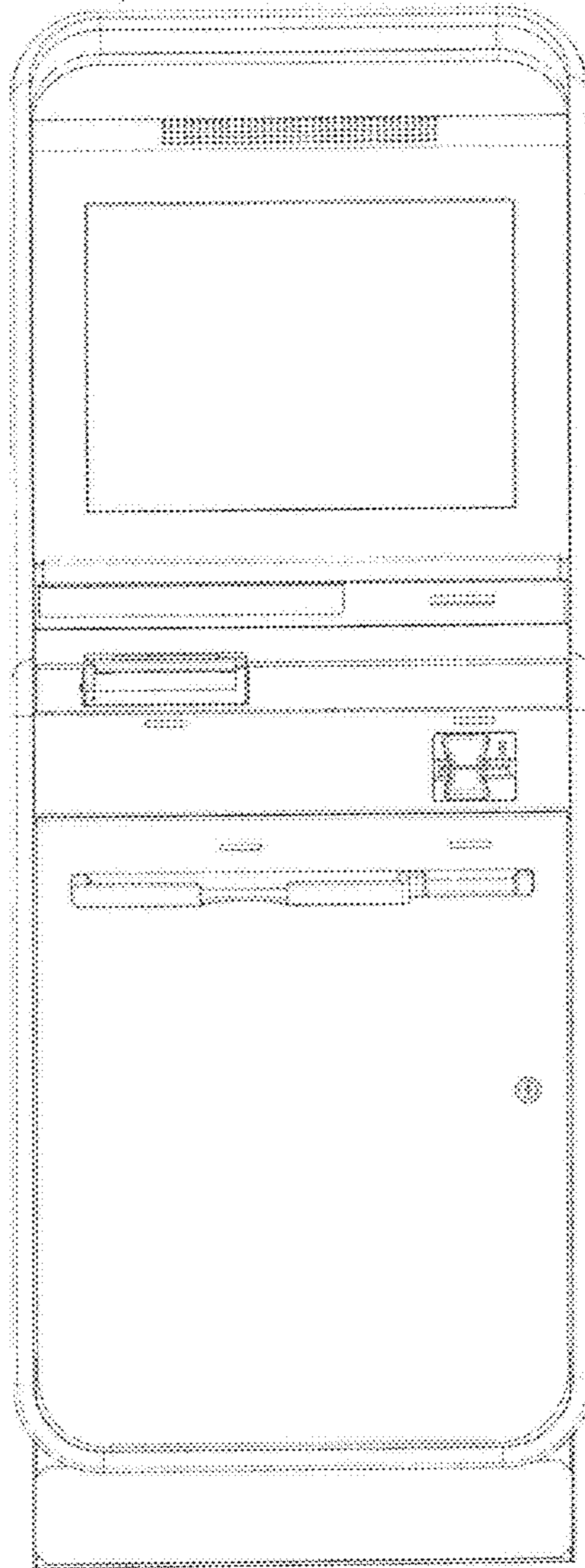


Figure 2

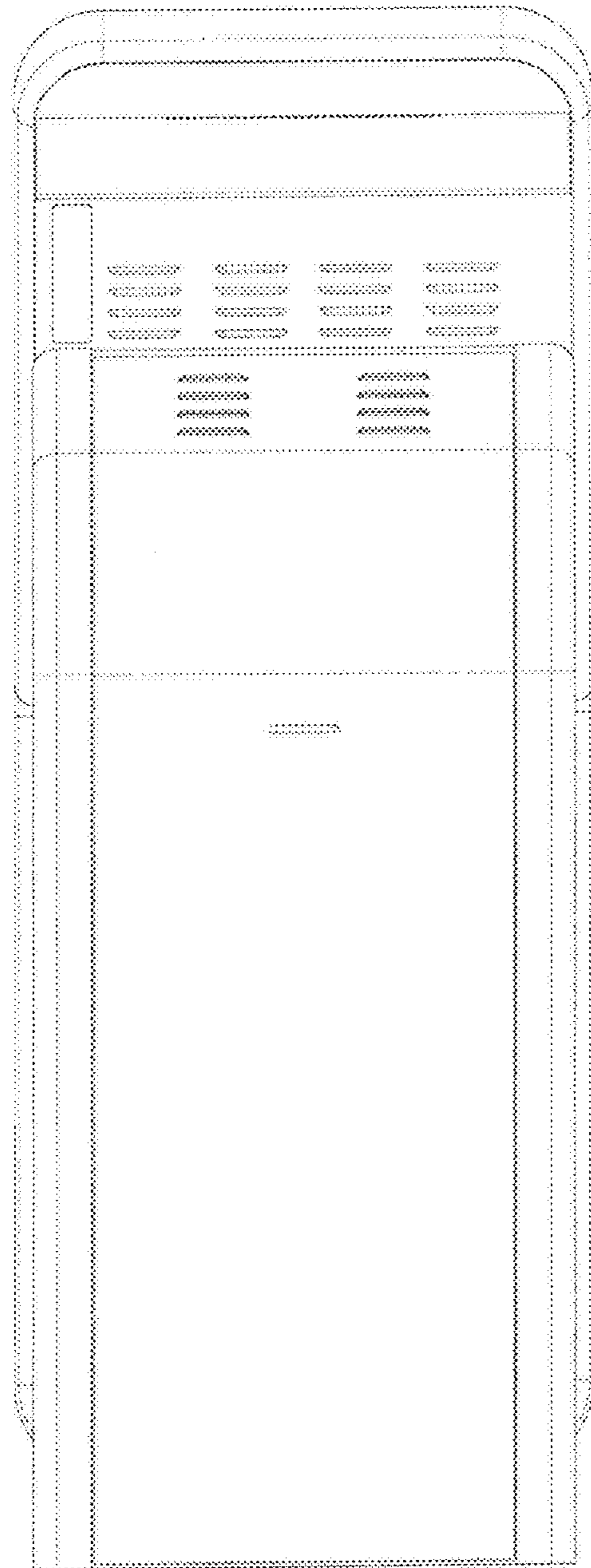


Figure 3

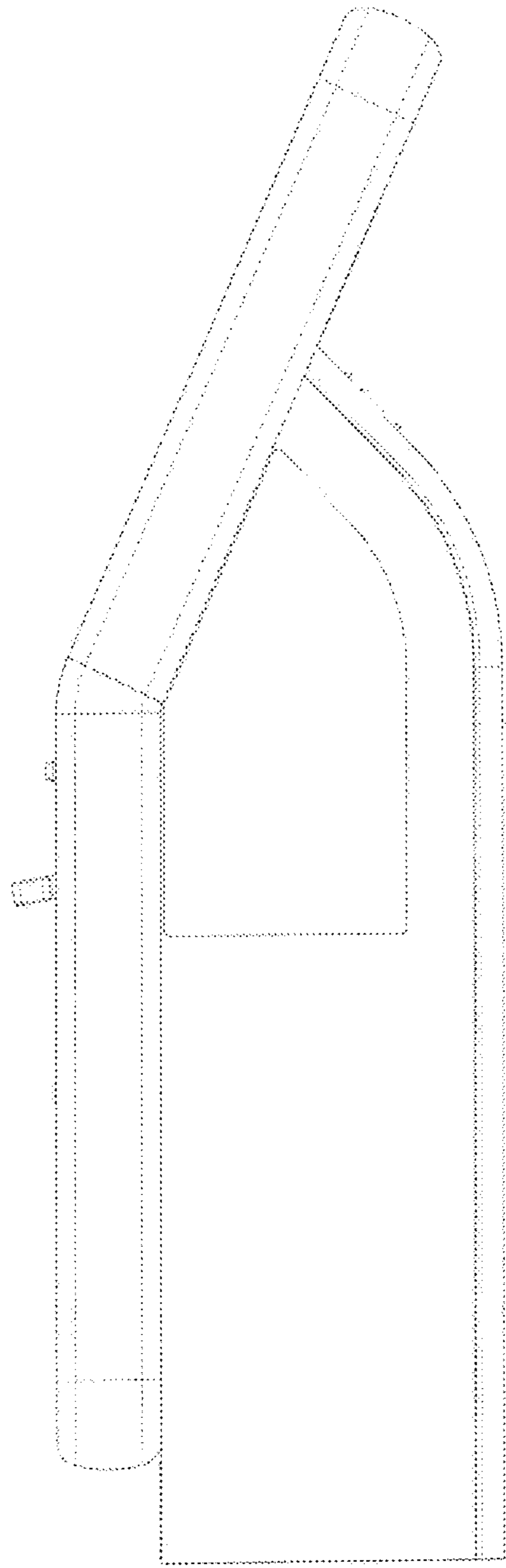


Figure 4

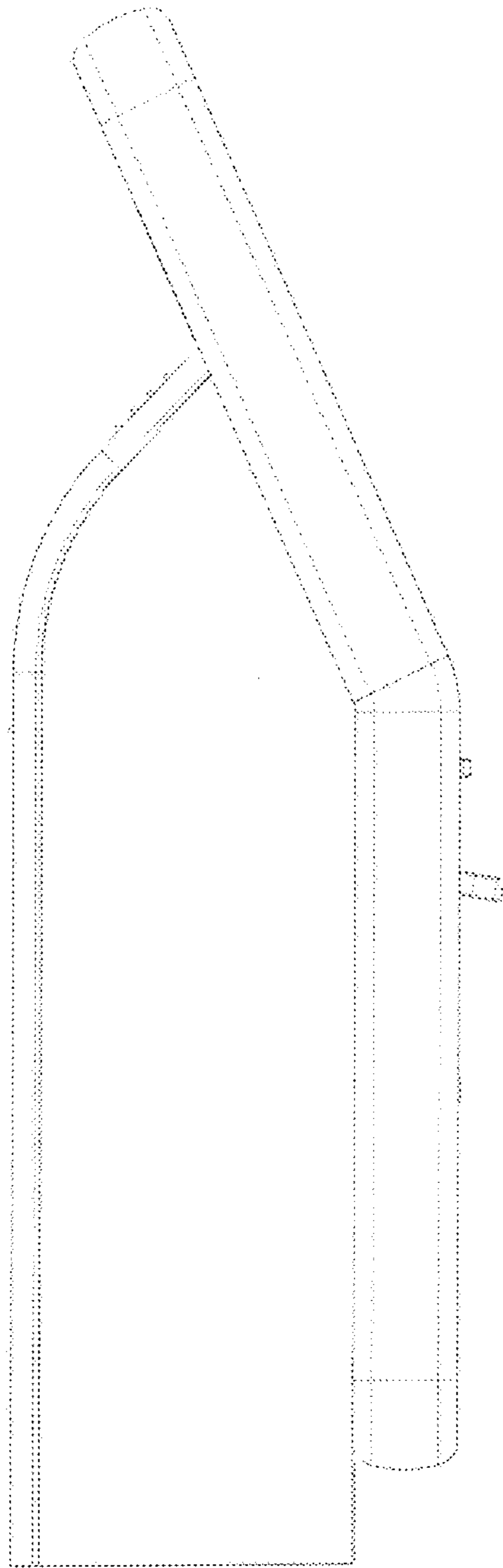


Figure 5

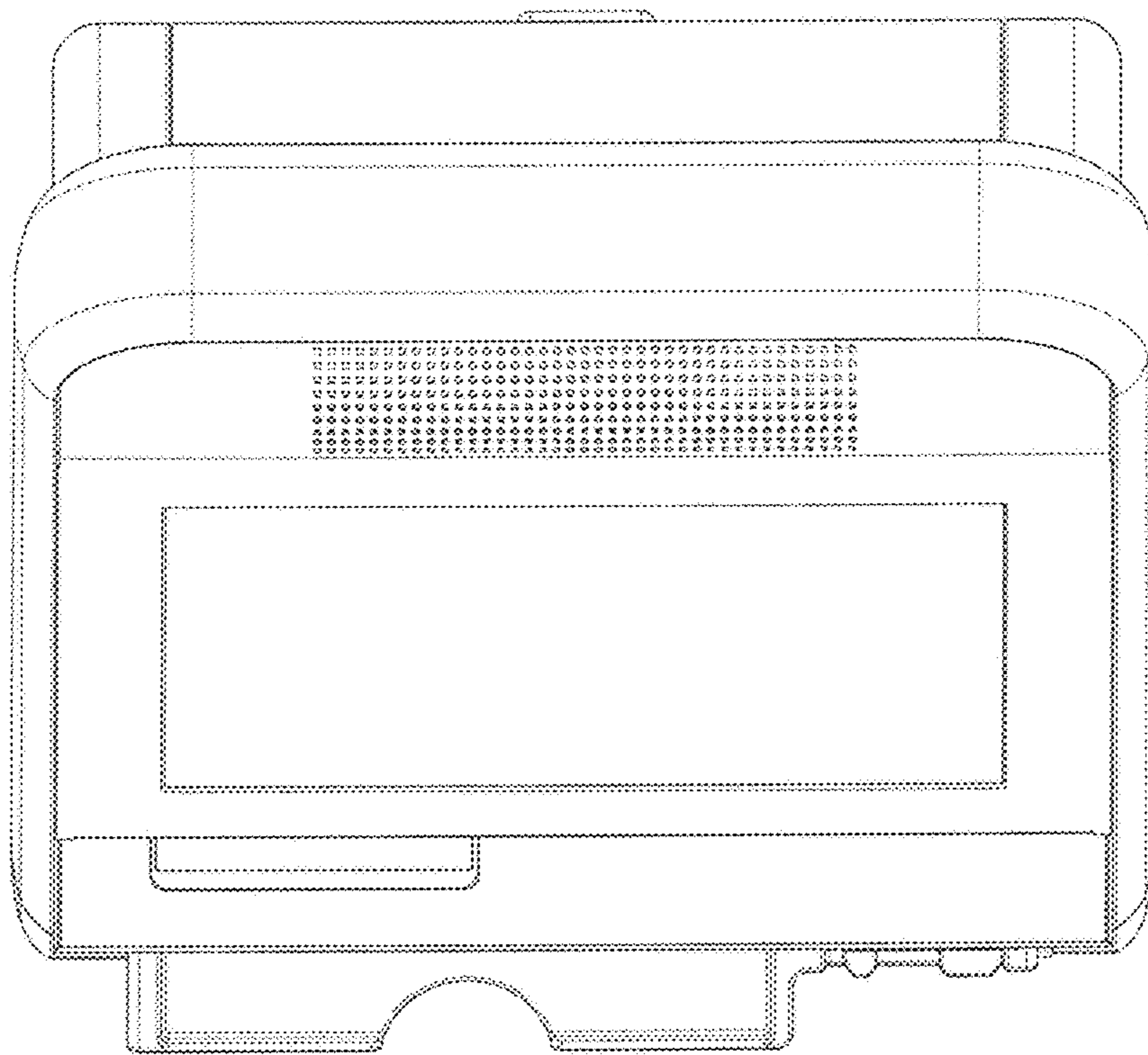


Figure 6

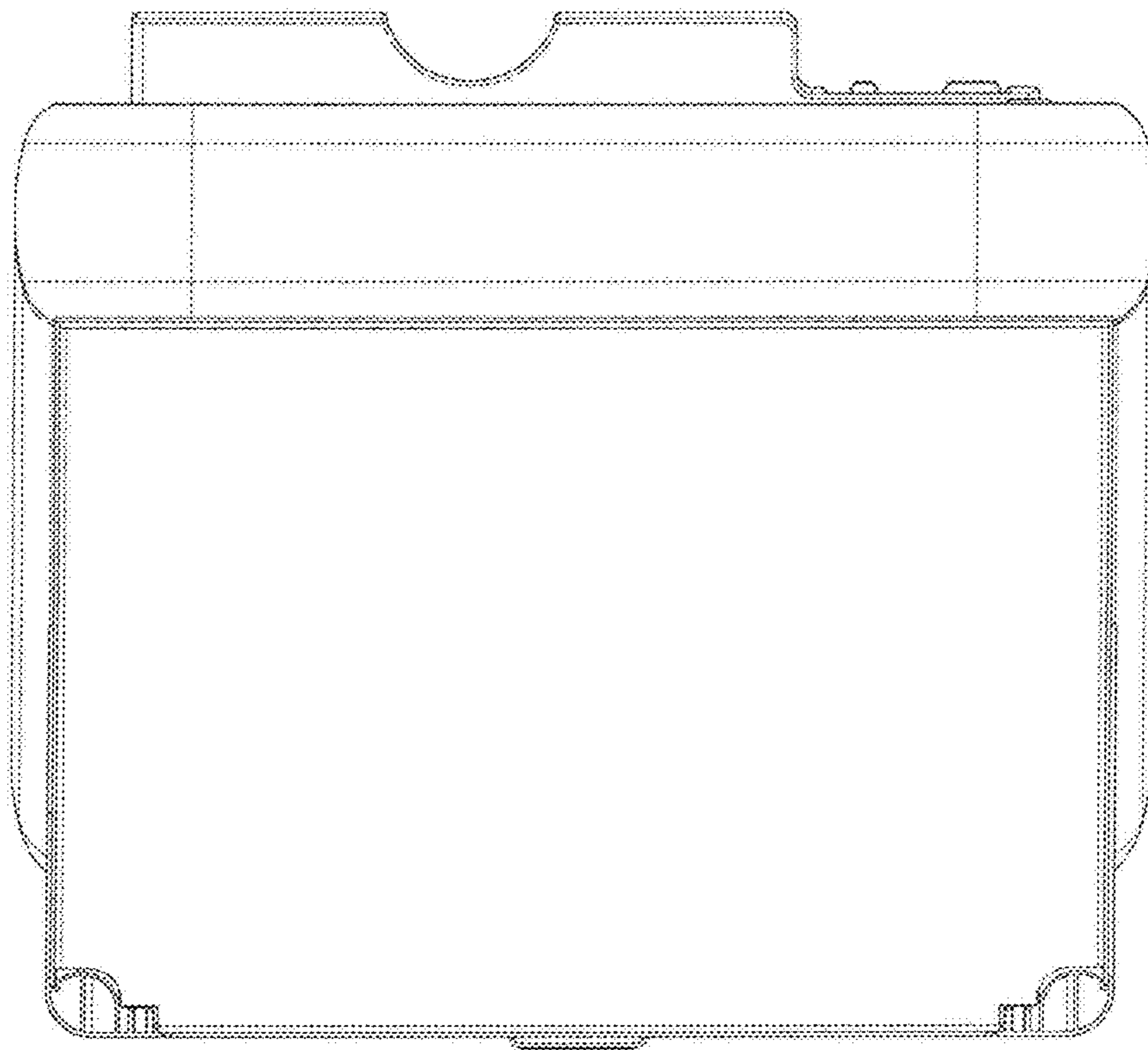


Figure 7