



US00D854537S

(12) **United States Design Patent** (10) **Patent No.:** **US D854,537 S**
Ackeret et al. (45) **Date of Patent:** **** Jul. 23, 2019**

(54) **VEHICLE MOUNT**

G06F 3/04883; G06F 3/0486; G06F 3/0487; G06F 3/0484; H04M 1/0214; H04R 1/02; H04R

(71) Applicant: **Kinetix AG**, Chur (CH)

(Continued)

(72) Inventors: **Peter Ackeret**, Zürich (CH); **Michael Andreas Keller**, Freudenstadt (DE); **Walter Funk**, Simmersfeld (DE)

(56) **References Cited**

U.S. PATENT DOCUMENTS

D614,613 S * 4/2010 Kim D14/253
D654,503 S * 2/2012 Sapper D14/452

(Continued)

(73) Assignee: **KINETIX AG**, Chur (CH)

(**) Term: **15 Years**

FOREIGN PATENT DOCUMENTS

(21) Appl. No.: **35/502,438**

CN 304482933 * 1/2018
WO D092188-001 * 2/2017
WO D092188-002 * 2/2017

(22) Filed: **Aug. 12, 2016**

(80) **Hague Agreement Data**

Primary Examiner — Barbara Fox
Assistant Examiner — Dana K Weiland
(74) *Attorney, Agent, or Firm* — Leydig, Voit & Mayer, Ltd.

Int. Filing Date: **Aug. 12, 2016**

Int. Reg. No.: **DM/092188**

Int. Reg. Date: **Aug. 12, 2016**

Int. Reg. Pub. Date: **Feb. 17, 2017**

(30) **Foreign Application Priority Data**

Feb. 16, 2016 (DE) 40 2016 100 156

(51) **LOC (11) Cl.** **14-03**

(52) **U.S. Cl.**
USPC **D14/253**

(58) **Field of Classification Search**

USPC D14/125–129, 137, 138 AA, 138 AB, D14/138 G, 138 C, 138 R, 154, 159–165, D14/167, 168, 170–172, 188, 192, 194, D14/203.1, 203.3, 203.4, 203.7, 204, 205, D14/207, 214–216, 223, 224, 238.1, 239, D14/248, 250, 251, 253, 308, 317, 331, D14/336, 337, 341–347, 371–377, 388, D14/389, 420, 432, 439, 440, 447, 448, D14/451, 452, 457, 496; D6/308, 310, D6/406.1–406.6, 601; D10/104.1, 50, 65; D21/329–332; D13/108; D12/415

CPC G06F 1/1601; G06F 1/1605; G06F 1/162; G06F 1/1613; G06F 1/1647; G06F 1/1641; G06F 1/1616; G06F 1/1652;

(57) **CLAIM**

The ornamental design for a vehicle mount, as shown and described.

DESCRIPTION

1. Vehicle mount

1.1: Perspective

1.2: Left

1.3: Right

1.4: Front

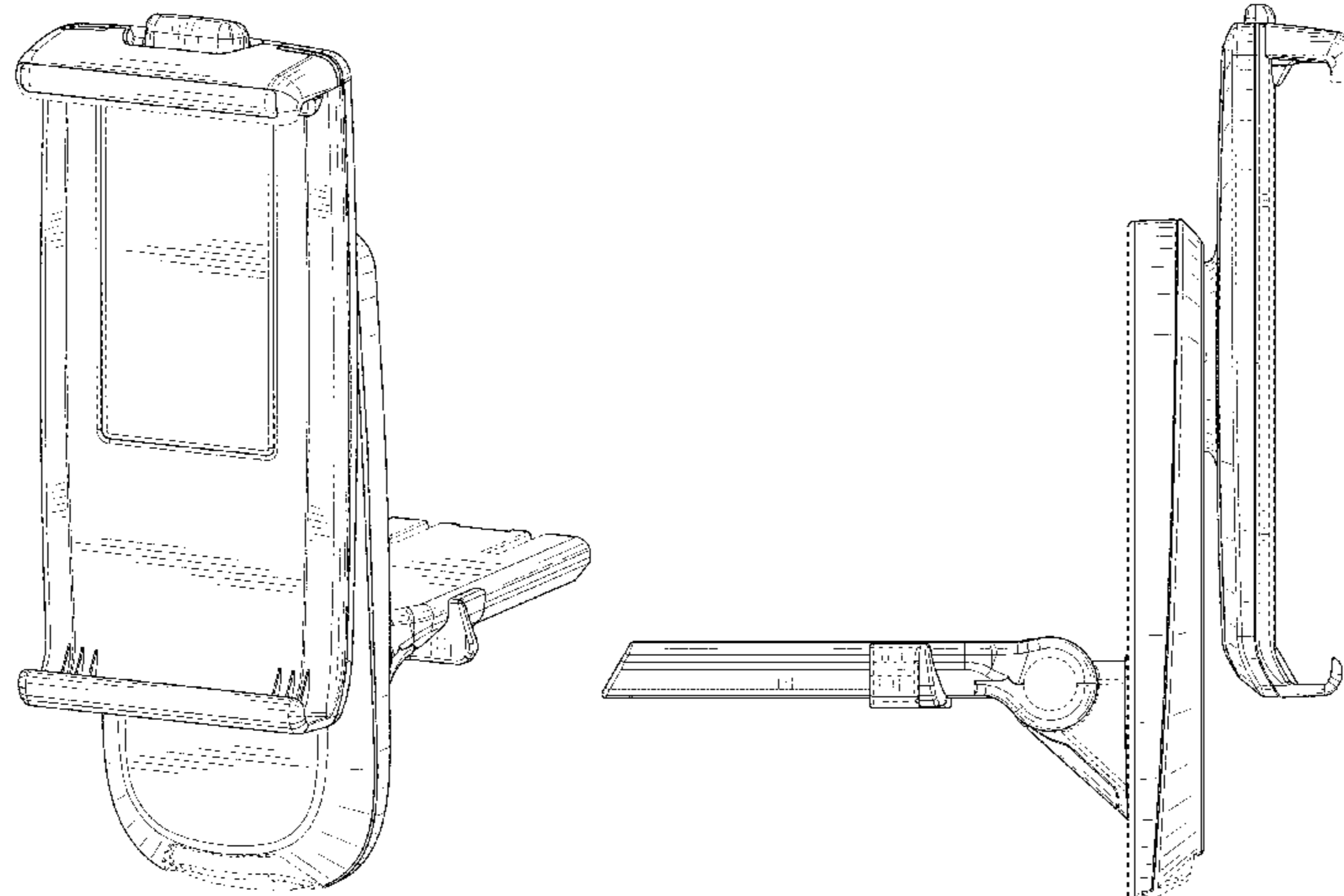
1.5: Back

1.6: Top

1.7: Bottom

Fig. 1.1 is a top front perspective view of the vehicle mount; fig. 1.2 is a left side view thereof; fig. 1.3 is a right side view thereof; fig. 1.4 is a front view thereof; fig. 1.5 is a rear view thereof; fig. 1.6 is a top plan view thereof; and fig. 1.7 is a bottom plan view thereof.

(Continued)



The broken lines shown in the drawings depict portions of the vehicle mount that form no part of the claimed design.

1 Claim, 7 Drawing Sheets

(58) Field of Classification Search

CPC 5/00; H04R 9/06; G08B 21/0288; G08B 21/02; F16M 11/00
See application file for complete search history.

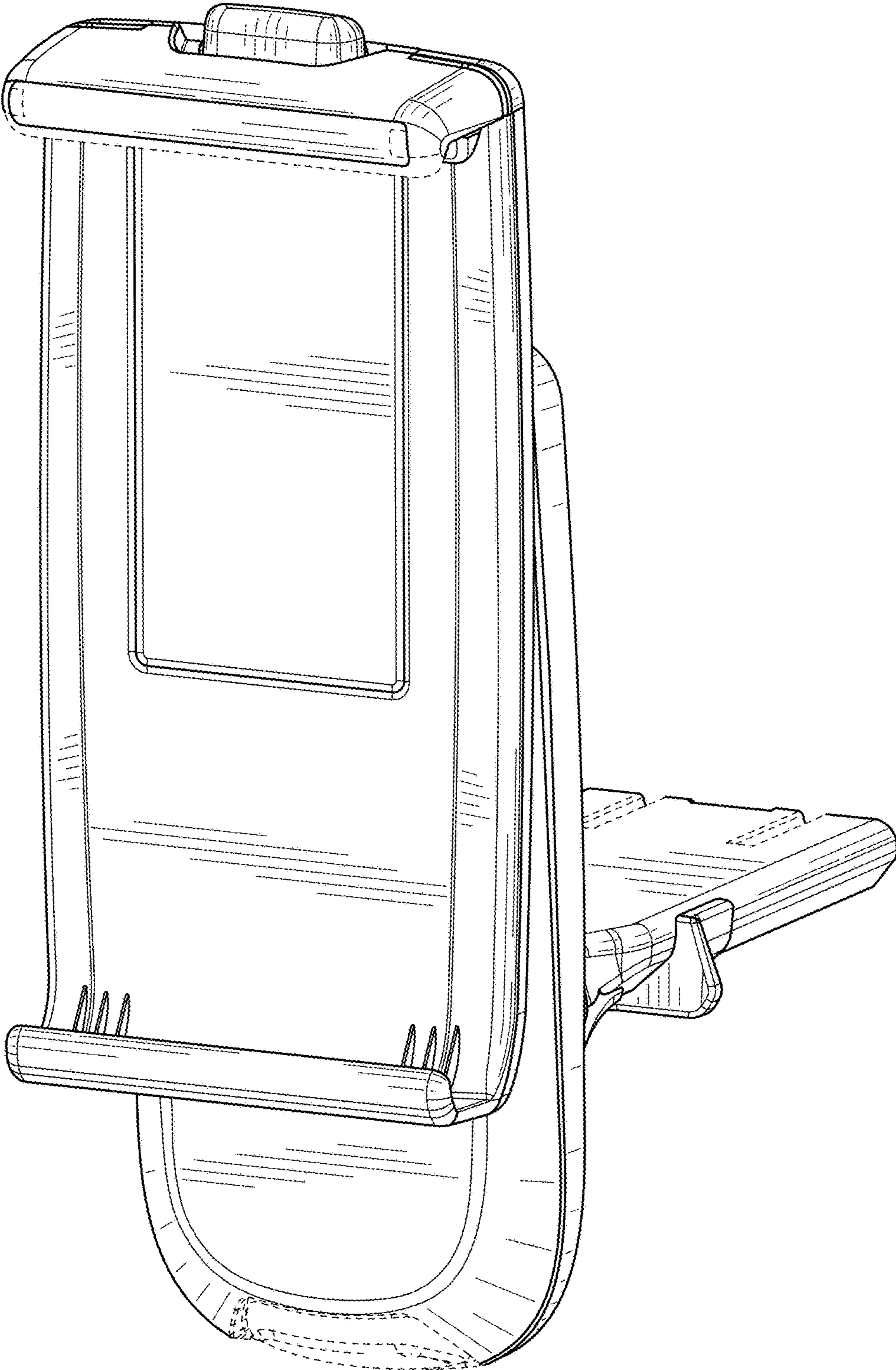
(56) References Cited

U.S. PATENT DOCUMENTS

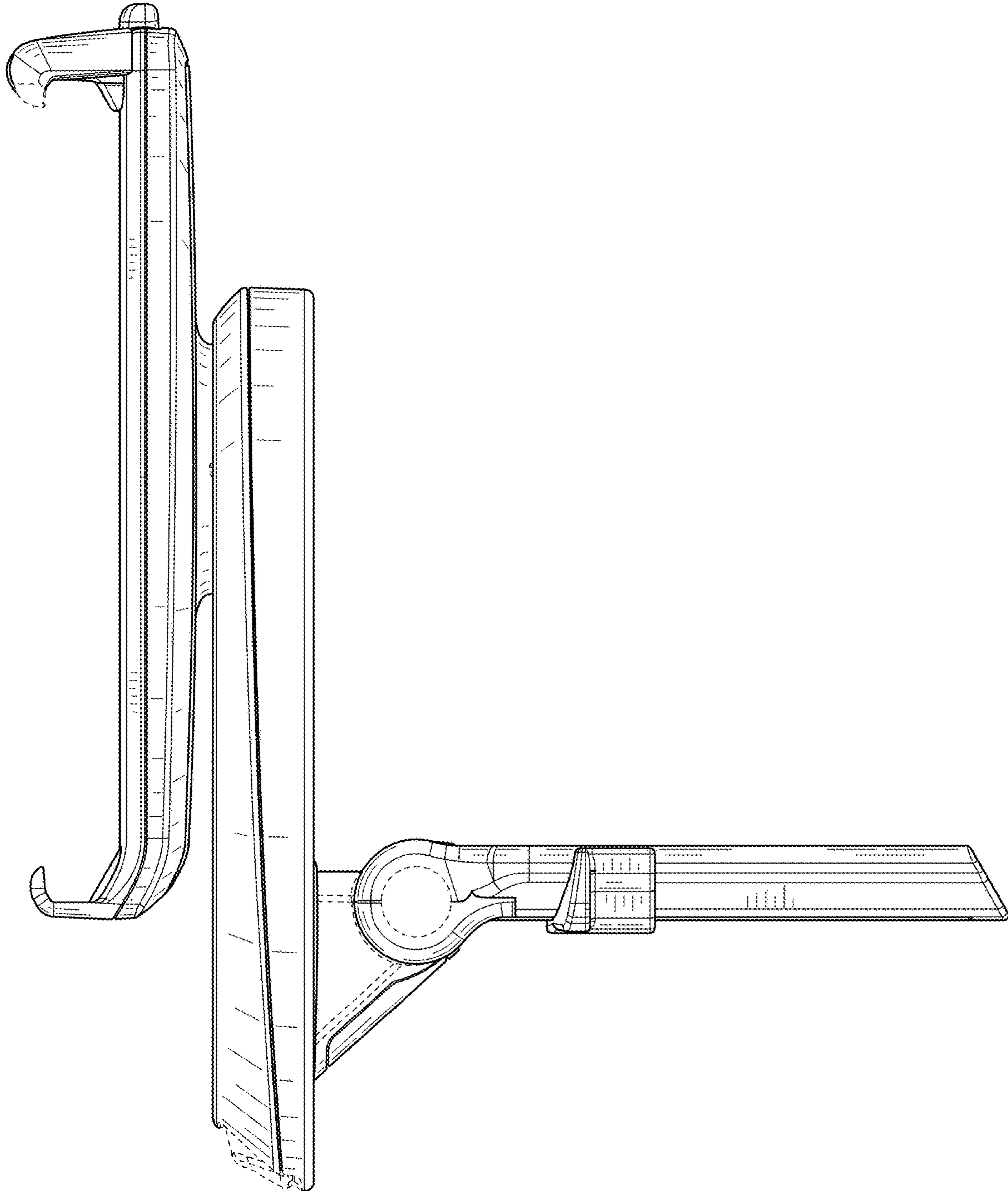
D655,282 S * 3/2012 Richter D14/253
D655,283 S * 3/2012 Richter D14/253
D659,571 S * 5/2012 Hoggarth D10/74
D678,888 S * 3/2013 Hung D14/452
8,561,863 B2 * 10/2013 LaColla B60R 11/02
224/275
D716,215 S * 10/2014 Dunn D12/415
D718,297 S * 11/2014 Aspinall D14/253
D718,298 S * 11/2014 Aspinall D14/253
D720,000 S * 12/2014 Lyons D18/4.5
D726,175 S * 4/2015 Tsai D12/415
D732,013 S * 6/2015 Aspinall D14/253
D732,519 S * 6/2015 Aspinall D14/253
D733,115 S * 6/2015 Aspinall D14/253
D738,873 S * 9/2015 Kim D14/253
D751,702 S * 3/2016 Eaton D24/128

9,278,648 B2 * 3/2016 Ackeret B60R 11/0235
D755,797 S * 5/2016 Liu D14/452
D759,002 S * 6/2016 Won D14/239
D762,652 S * 8/2016 Dorre D14/452
D765,651 S * 9/2016 Liu D14/253
D768,125 S * 10/2016 Kim D14/253
D769,860 S * 10/2016 Xiao D14/253
D775,116 S * 12/2016 Abrahams D14/253
9,527,456 B2 * 12/2016 Ackeret B60R 11/02
D780,168 S * 2/2017 Du D14/253
D780,743 S * 3/2017 Chun D14/253
D783,012 S * 4/2017 Lee D14/253
D783,014 S * 4/2017 Chun D14/253
D784,923 S * 4/2017 Song D13/108
D796,421 S * 9/2017 Huang D12/415
D799,466 S * 10/2017 Sukphist D14/253
D799,467 S * 10/2017 Lou D14/253
D807,373 S * 1/2018 Thetard D14/452
D815,087 S * 4/2018 Gu D14/253
D817,317 S * 5/2018 Lee D14/253
D828,865 S * 9/2018 Zeng D16/242
D832,248 S * 10/2018 Sukphist D14/253
D833,369 S * 11/2018 Lan D12/415
D838,267 S * 1/2019 Zhang D14/253
2010/0320341 A1 * 12/2010 Baumann B60R 11/0241
248/206.2
2011/0278885 A1 * 11/2011 Procter B60R 11/0235
297/135
2013/0037590 A1 * 2/2013 Yoon B60R 11/02
224/483
2014/0145051 A1 * 5/2014 Gwag B60R 11/02
248/298.1

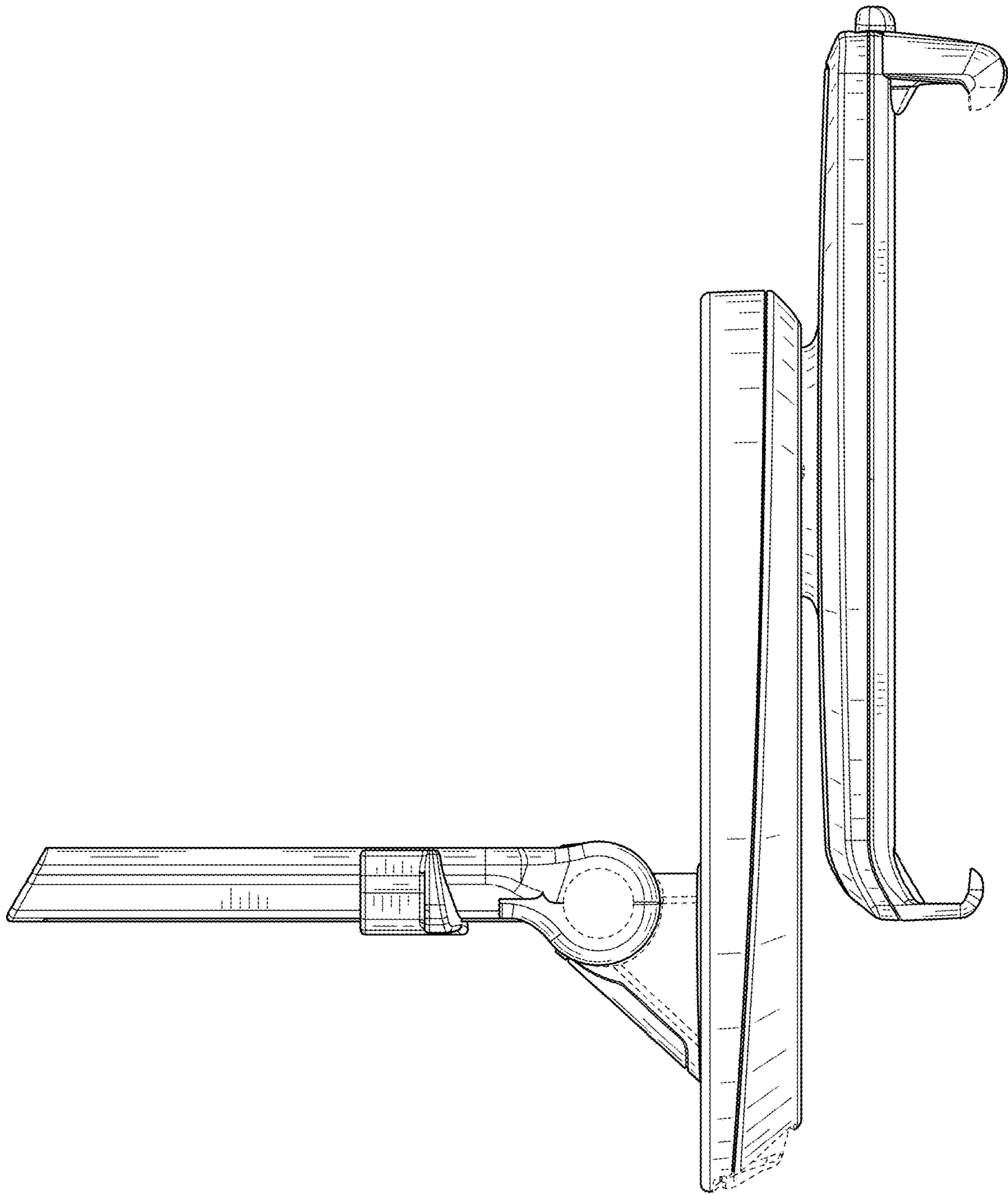
* cited by examiner



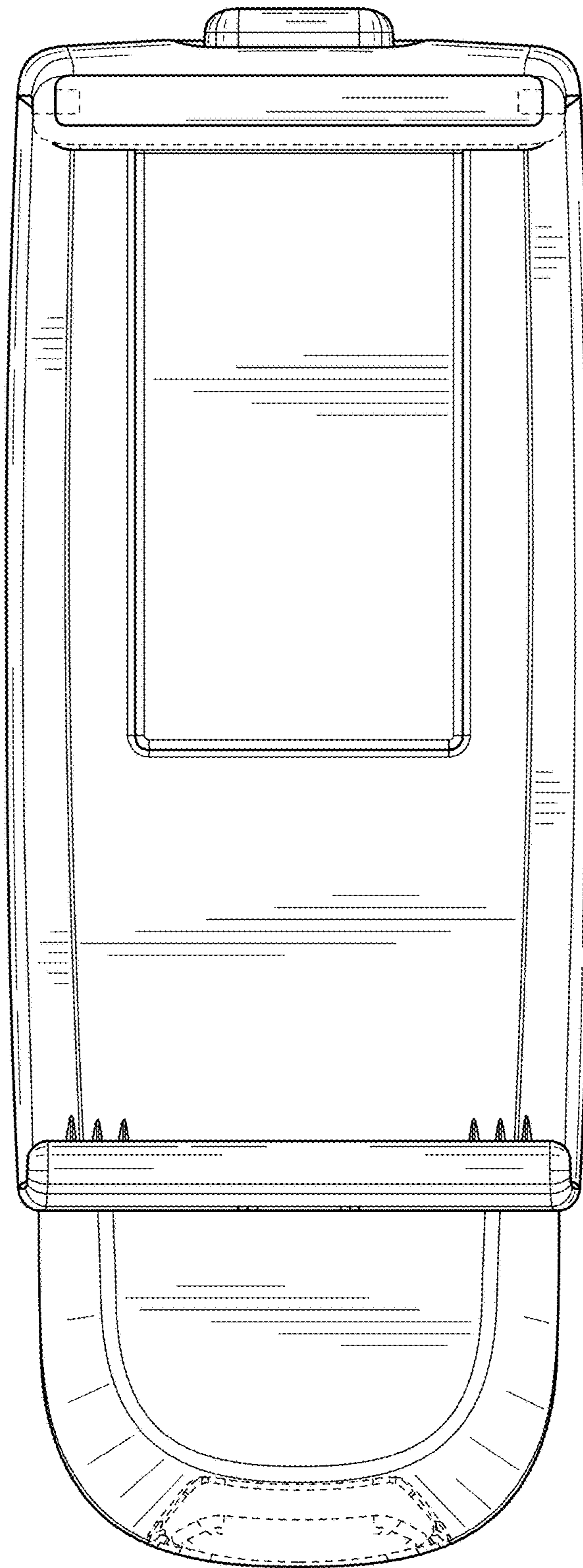
1.1



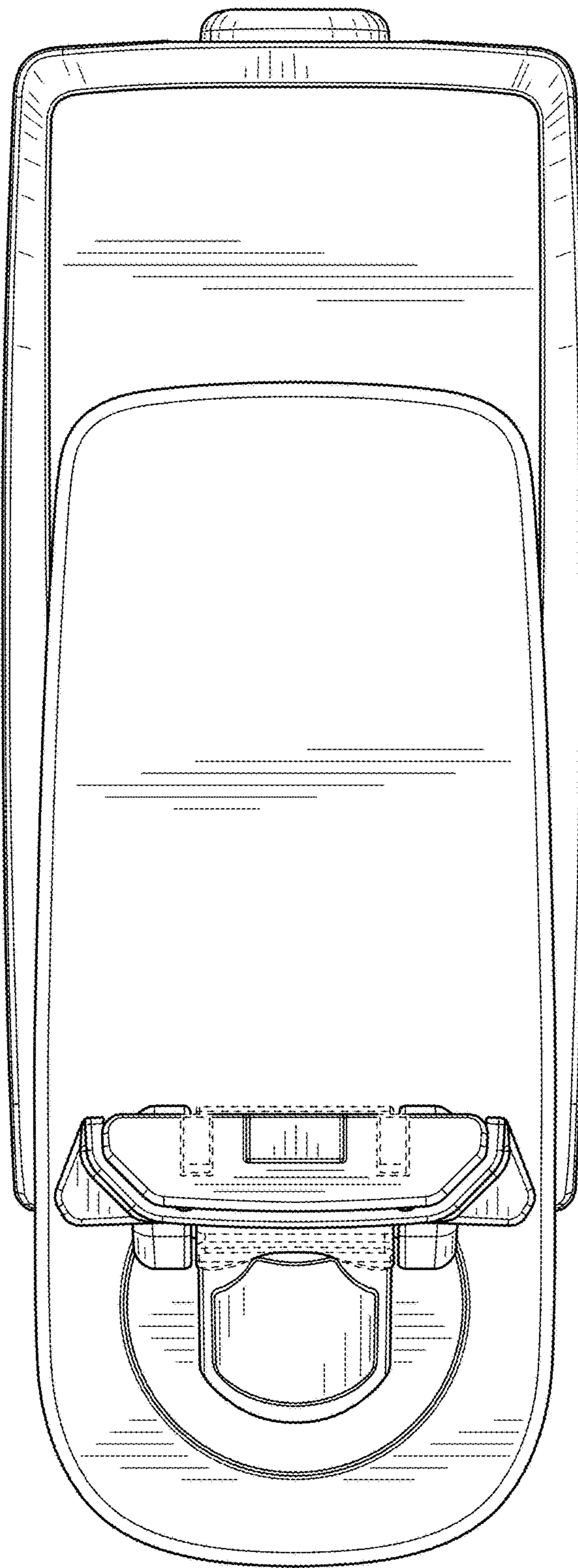
1.2



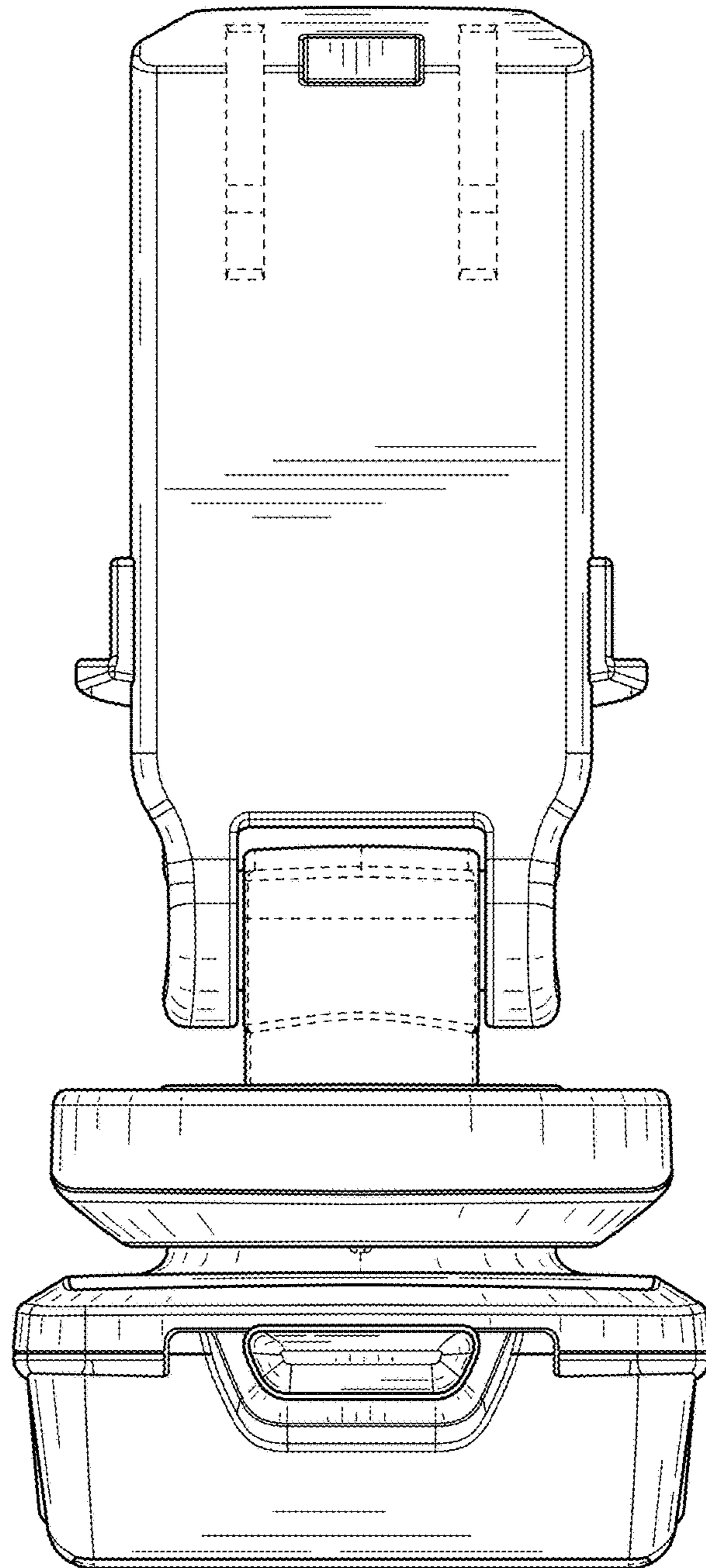
1.3



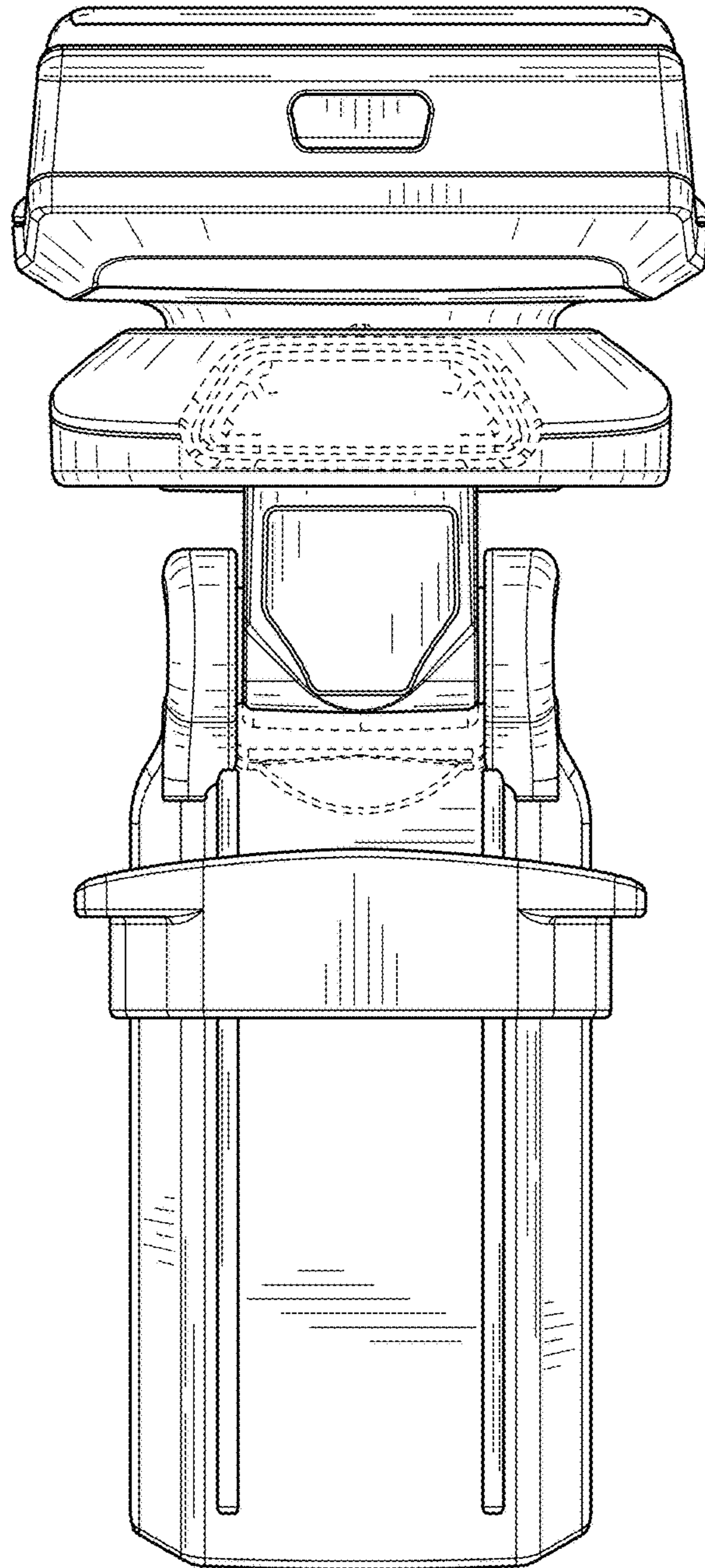
1.4



1.5



1.6



1.7