



US00D854530S

(12) **United States Design Patent**
Kim

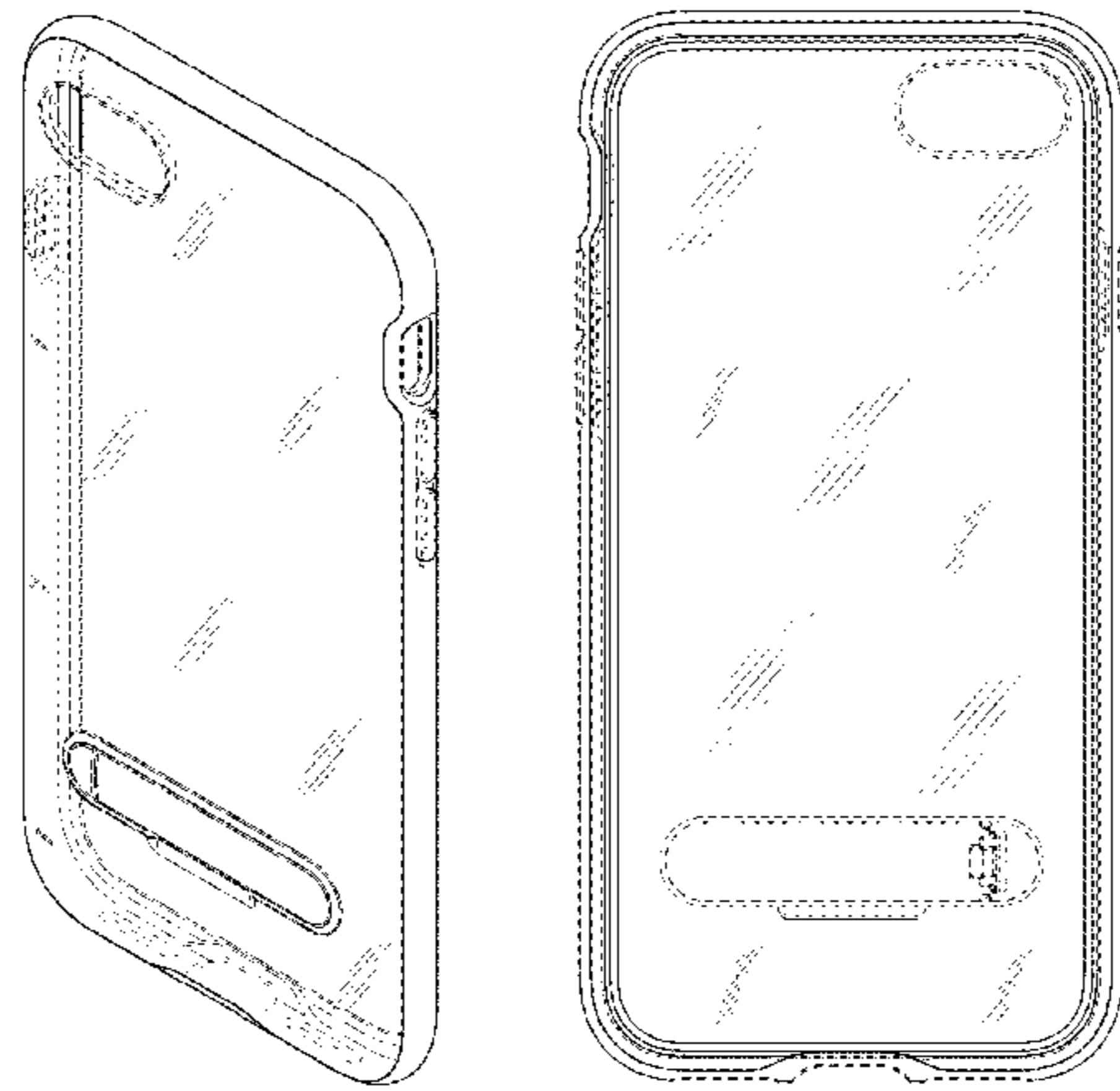
(10) **Patent No.:** **US D854,530 S**
(45) **Date of Patent:** **** Jul. 23, 2019**

- (54) **CASE FOR ELECTRONIC COMMUNICATIONS DEVICE**
- (71) Applicant: **SPIGEN KOREA CO., LTD.**, Seoul (KR)
- (72) Inventor: **Dae-Young Kim**, Seoul (KR)
- (73) Assignee: **SPIGEN KOREA CO., LTD.**, Seoul (KR)
- (**) Term: **15 Years**
- (21) Appl. No.: **29/576,516**
- (22) Filed: **Sep. 2, 2016**
- (51) **LOC (11) Cl.** **14-03**
- (52) **U.S. Cl.**
USPC **D14/250**
- (58) **Field of Classification Search**
USPC D14/248, 439, 203.3–203.7, 217, 240, D14/447, 251–253, 238.1, 440, 250; D3/201, 218, 247, 269, 273, 301, 303; D13/103, 107–108, 119
CPC H04B 1/3888; H04M 1/0283; H04M 1/0202; A45C 1/06; A45C 2011/002; A45C 11/00; A45C 13/02; A45F 2005/026; A45F 2200/0525; A45F 2200/0516
See application file for complete search history.

8,249,679	B2	8/2012	Cui	
D669,458	S	10/2012	Wilson	
D671,930	S *	12/2012	Akana	D14/250
D679,271	S	4/2013	Lin	
8,430,240	B2	4/2013	Kim	
8,457,701	B2	6/2013	Diebel	
D685,779	S *	7/2013	Schriefer	D14/250
D690,305	S	9/2013	Wen	
D706,254	S	6/2014	Chang	
D714,276	S *	9/2014	Hu	D14/250
8,879,245	B2 *	11/2014	Kim	H04B 1/3888 206/320
D718,755	S	12/2014	To	
D719,559	S	12/2014	Dukerschein	
D721,360	S *	1/2015	Laffon de Mazieres	D14/250
D723,531	S *	3/2015	Katzke	D14/250
9,004,275	B2	4/2015	Lee	
D732,543	S	6/2015	Westrup et al.	
D733,693	S	7/2015	Wang	
D743,389	S	11/2015	Akana	
9,185,813	B2	11/2015	Diebel	
D744,993	S	12/2015	Diebel	
D746,275	S	12/2015	Mohammad	
D747,708	S *	1/2016	Roberts	D14/250
9,237,211	B2	1/2016	Tabe	
D749,567	S	2/2016	Lee	
9,247,795	B2	2/2016	Kim	
9,295,174	B2	3/2016	Witter	
9,300,768	B1	3/2016	Dining	
9,301,414	B2	3/2016	Chao	
D754,652	S	4/2016	Roberts	
9,307,096	B2	4/2016	Hsu	
D761,239	S	7/2016	Kim	
D763,841	S *	8/2016	Kim	D14/250
9,432,074	B2	8/2016	Fathollahi	
D765,633	S	9/2016	Northrup	
D765,635	S	9/2016	Chang	
D765,644	S	9/2016	Witter	
9,451,066	B1 *	9/2016	Jia	H04M 1/0283
D772,854	S *	11/2016	Igarashi	D14/250
D775,614	S *	1/2017	Kim	D14/250
D776,104	S *	1/2017	Tien	D14/250
D776,647	S *	1/2017	Kim	D14/250
D781,835	S	3/2017	Kim et al.	
D781,836	S	3/2017	Kim et al.	
D781,839	S	3/2017	Kim et al.	
D781,840	S	3/2017	Kim et al.	
D782,456	S	3/2017	Park et al.	
D782,457	S	3/2017	Park et al.	
D783,585	S	4/2017	Park	
D783,602	S	4/2017	Akana et al.	
D784,310	S	4/2017	Lee et al.	
D784,324	S	4/2017	Akana et al.	

(56) **References Cited**
U.S. PATENT DOCUMENTS

7,301,759	B2	11/2007	Hslung	
D559,230	S	1/2008	Griffin	
D575,056	S *	8/2008	Tan	D3/201
D583,572	S	12/2008	Zhai	
D590,386	S	4/2009	Leith	
D619,361	S *	7/2010	Andre	D3/269
D622,716	S *	8/2010	Andre	D14/250
D634,741	S *	3/2011	Richardson	D14/250
D642,169	S	7/2011	Andre	
D662,923	S	7/2012	Piedra	
D663,263	S	7/2012	Gupta	
D663,294	S	7/2012	Buxton	
8,243,428	B2	8/2012	Fu	



D786,232 S *	5/2017	Kim	D14/250
D787,490 S	5/2017	Akana et al.	
9,641,212 B1	5/2017	Tien et al.	
9,660,683 B2	5/2017	Tien	
D789,346 S	6/2017	Akana et al.	
2011/0164358 A1	7/2011	Duan	
2012/0018325 A1 *	1/2012	Kim	A45C 11/00 206/320
2012/0168577 A1 *	7/2012	Cheng	F16M 11/105 248/176.3
2013/0077211 A1	3/2013	Wang	
2013/0257240 A1 *	10/2013	Hong	H04B 1/3888 312/223.1
2014/0110276 A1 *	4/2014	Stiehl	B29C 45/1676 206/37
2016/0142522 A1 *	5/2016	Kim	A45C 11/00 455/575.8

OTHER PUBLICATIONS

SpigenKickstand Crystal Hybrid Metal [Review], published on Oct. 17, 2016, URL:<https://www.youtube.com/watch?v=KzRGJiA1b0o>, retrieved from internet on Aug. 14, 2017.*

“iPhone 6s Case, Spigen [Neo Hybrid EX] Premium Bumper [Rose Gold] Clear TPU/PC Frame Slim Dual Layer Premium Case for iPhone 6 (2014)/6s (2015)—Rose Gold (SGP11725)”, <https://www.amazon.com/dp/B012PKV30S>, Earliest review date of Aug. 28, 2015, Downloaded on Dec. 18, 2018.

“Spigen Neo Hybrid Carbon Galaxy S6 Edge Plus Case with Carbon Fiber Design and Reinforced Hard Bumper Frame for Galaxy S6 Edge Plus 2015—Dante Red”, <https://www.amazon.com/dp/B010MWHZS0>, Earliest review date of Aug. 18, 2015, Downloaded on Dec. 18, 2018.

“Spigen Neo Hybrid Carbon iPhone 6s Case with Carbon Fiber Design and Reinforced Hard Bumper Frame for Apple iPhone 6s/iPhone 6 (2015)—Reventon Yellow”, <https://www.amazon.com/dp/B010MVJ5O8>, Earliest review date of Sep. 1, 2015, Downloaded on Dec. 18, 2018.

“Spigen Neo Hybrid CC Galaxy S6 Case with Flexible Inner Casing and Reinforced Hard Bumper Frame for Galaxy S6 2015—Satin Silver”, <https://www.amazon.com/dp/B00UMDOZLU>, Earliest review date of Mar. 25, 2015, Downloaded on Dec. 18, 2018.

“Spigen Neo Hybrid CC Galaxy S6 Edge Case with Flexible Inner Casing and Reinforced Hard Bumper Frame for Galaxy S6 Edge 2015—Blue Topaz”, <https://www.amazon.com/dp/B00USAPGKQ>, Earliest review date of Apr. 4, 2015, Downloaded on Dec. 18, 2018.

“Spigen Neo Hybrid Crystal Galaxy Note 5 Case with Flexible Inner Casing and Reinforced Hard Bumper Frame for Galaxy Note 5 2015—Champagne Gold”, <https://www.amazon.com/dp/B010MWIG1K>, Earliest review date of Aug. 22, 2015, Downloaded on Dec. 18, 2018.

“Spigen Neo Hybrid EX iPhone 6 Case with Flexible Inner Bumper and Reinforced Hard Frame for iPhone 6S/iPhone 6. EX Satin Silver”, <https://www.amazon.com/dp/B00LL6RZ3C>, Earliest review date of Sep. 6, 2014, Downloaded on Dec. 18, 2018.

“Spigen Neo Hybrid Galaxy S4 Case with Flexible Inner Protection and Reinforced Hard Bumper Frame for Galaxy S4 2013—Dante Red”, <https://www.amazon.com/dp/B00BYJXI1Y>, Earliest review date of May 9, 2013, Downloaded on Jan. 22, 2019.

“Spigen Neo Hybrid Galaxy S5 Case with Flexible Inner Protection and Reinforced Hard Bumper Frame for Samsung Galaxy S5 2014—Electric Blue”, <https://www.amazon.com/dp/B00I3UWJYJ>, Earliest review date of Apr. 12, 2014, Downloaded on Jan. 22, 2019.

“Spigen Neo Hybrid Galaxy S6 Case with Flexible Inner Protection and Reinforced Hard Bumper Frame for Galaxy S6 2015—Satin Silver” Earliest review date of Mar. 6, 2015, <https://www.amazon.com/dp/B00QU4Q31A>, Downloaded on Dec. 18, 2018.

“Spigen Neo Hybrid Galaxy S6 Edge Case with Flexible Inner Protection and Reinforced Hard Bumper Frame for Galaxy S6 Edge 2015—Gunmetal”, <https://www.amazon.com/dp/B00SV635BG>, Earliest review date of Mar. 19, 2015, Downloaded on Dec. 18, 2018.

“Spigen Neo Hybrid iPhone 6 Case with Flexible Inner Protection and Reinforced Hard Bumper Frame for iPhone 6S/iPhone

6—Gunmetal”, <https://www.amazon.com/dp/B00LL6ZPXY>, Earliest review date of Aug. 28, 2014, Downloaded on Dec. 18, 2018.

“Spigen Neo Hybrid iPhone 6S Case with Flexible Inner Protection and Reinforced Hard Bumper Frame for iPhone 6S 2015—Gunmetal”, <https://www.amazon.com/dp/B010MVIZTE>, Earliest review date of Sep. 1, 2015, Downloaded on Dec. 18, 2018.

“Spigen Neo Hybrid Nexus 6 Case with Flexible Inner Protection and Reinforced Hard Bumper Frame for Google Nexus 6 2014—Dante Red”, <https://www.amazon.com/dp/B00OH4HKGC>, Earliest review date of Nov. 16, 2014, Downloaded on Dec. 18, 2018.

* cited by examiner

Primary Examiner — Carla J Wright

(74) Attorney, Agent, or Firm — Heedong Chae; Lucem, PC

(57) CLAIM

The ornamental design for a case for electronic communications device, as shown and described.

DESCRIPTION

FIG. 1 is a front perspective view of a case for electronic communications device showing my new design;

FIG. 2 is a rear perspective view thereof;

FIG. 3 is a front elevational view thereof;

FIG. 4 is a rear elevational view thereof;

FIG. 5 is a left side elevational view thereof;

FIG. 6 is a right side elevational view thereof;

FIG. 7 is a top plan view thereof;

FIG. 8 is a bottom plan view thereof;

FIG. 9 is a rear perspective view thereof showing the support leg in an extended position;

FIG. 10 is an exploded front perspective view of the case for electronic communications device with the components of the case separated for clarity of disclosure;

FIG. 11 is an exploded rear perspective view of the case for electronic communications device with the components of the case separated for clarity of disclosure;

FIG. 12 is a front perspective view of the outer frame component of the case shown separately for clarity of disclosure;

FIG. 13 is a rear perspective view of the outer frame component of the case shown separately for clarity of disclosure;

FIG. 14 is a front perspective view of the transparent inner shell component of the case shown separately for clarity of disclosure;

FIG. 15 is a rear perspective view of the transparent inner shell component of the case shown separately for clarity of disclosure;

FIG. 16 is a front perspective view of the support leg component of the case shown separately for clarity of disclosure; and,

FIG. 17 is a rear perspective view of the support leg component of the case shown separately for clarity of disclosure.

The case for electronic communications device, in which the claimed design is embodied, consists of an opaque outer frame, transparent inner shell, and opaque support leg. The claim is directed to the ornamental appearance of the case for electronic communications device in its entirety and does not extend to the ornamental appearance of the individual components of the case for electronic communications device.

The broken lines throughout the drawing figures depict portions of the case for electronic communications device that form no part of the claimed design. The broken lines and regions bounded by broken lines form no part of the claimed design.

1 Claim, 17 Drawing Sheets

FIG. 1

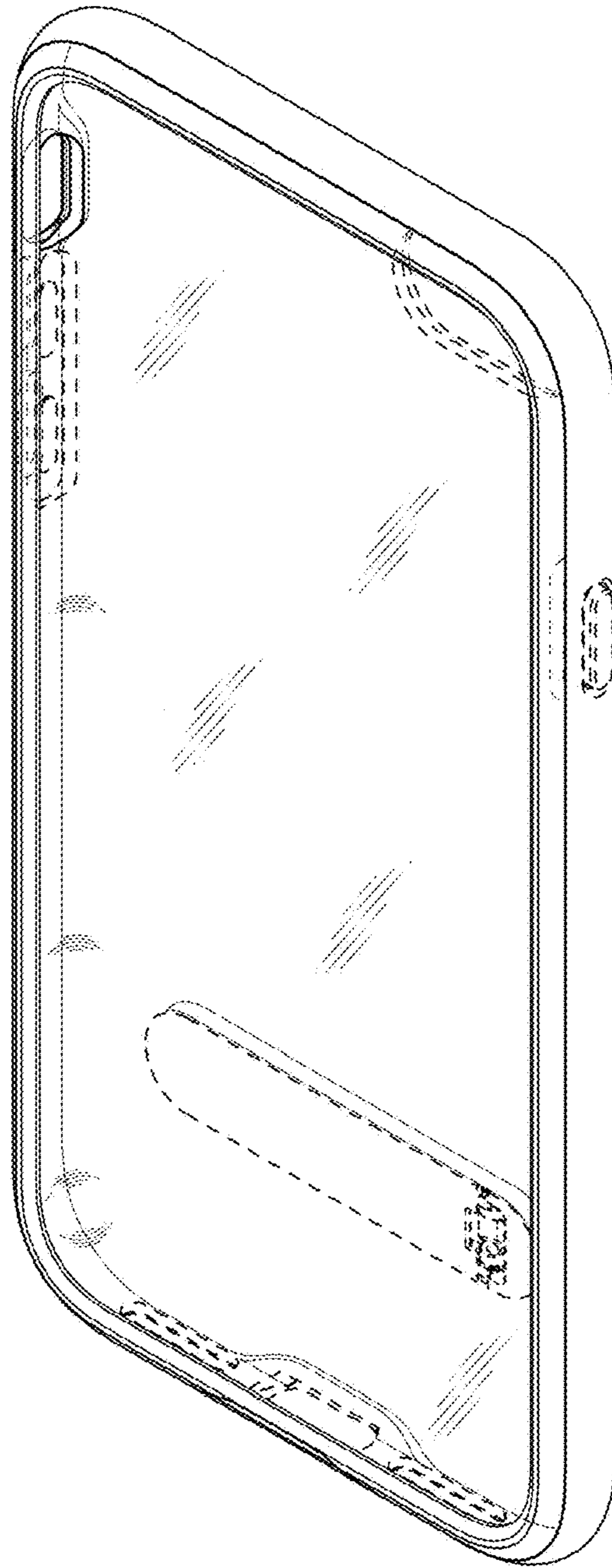


FIG. 2

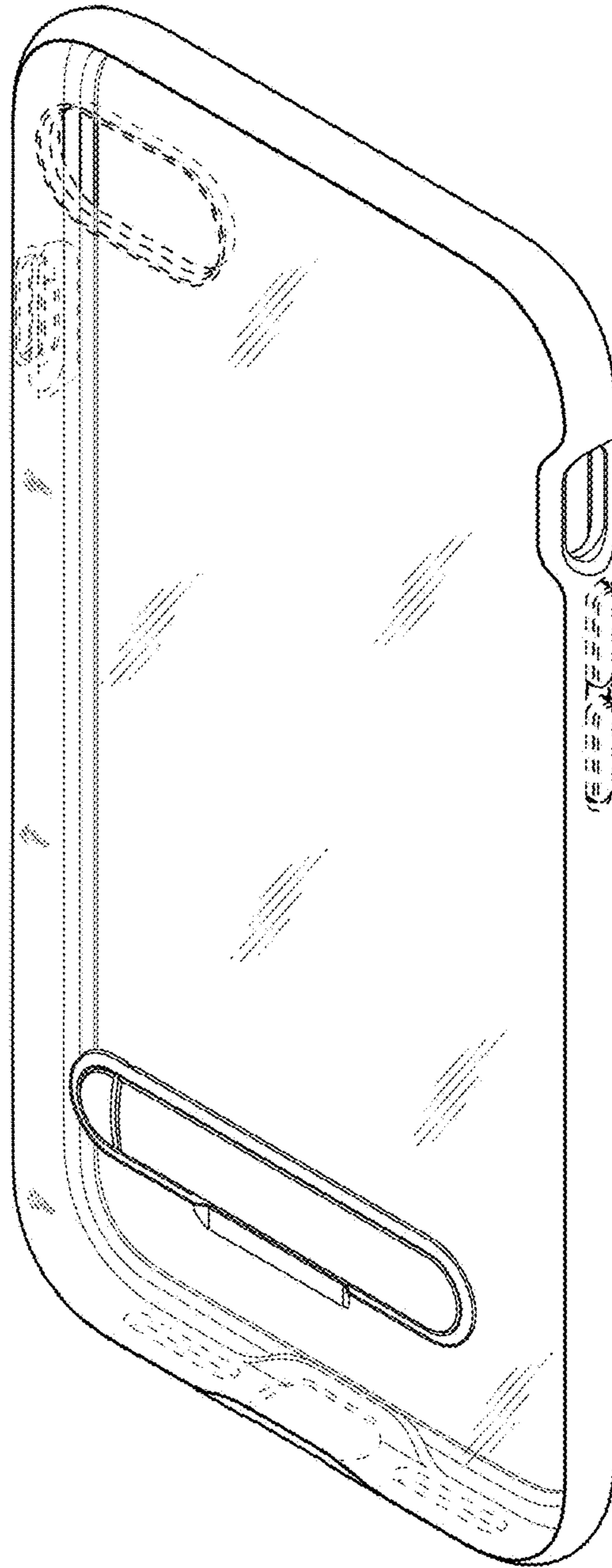


FIG. 3

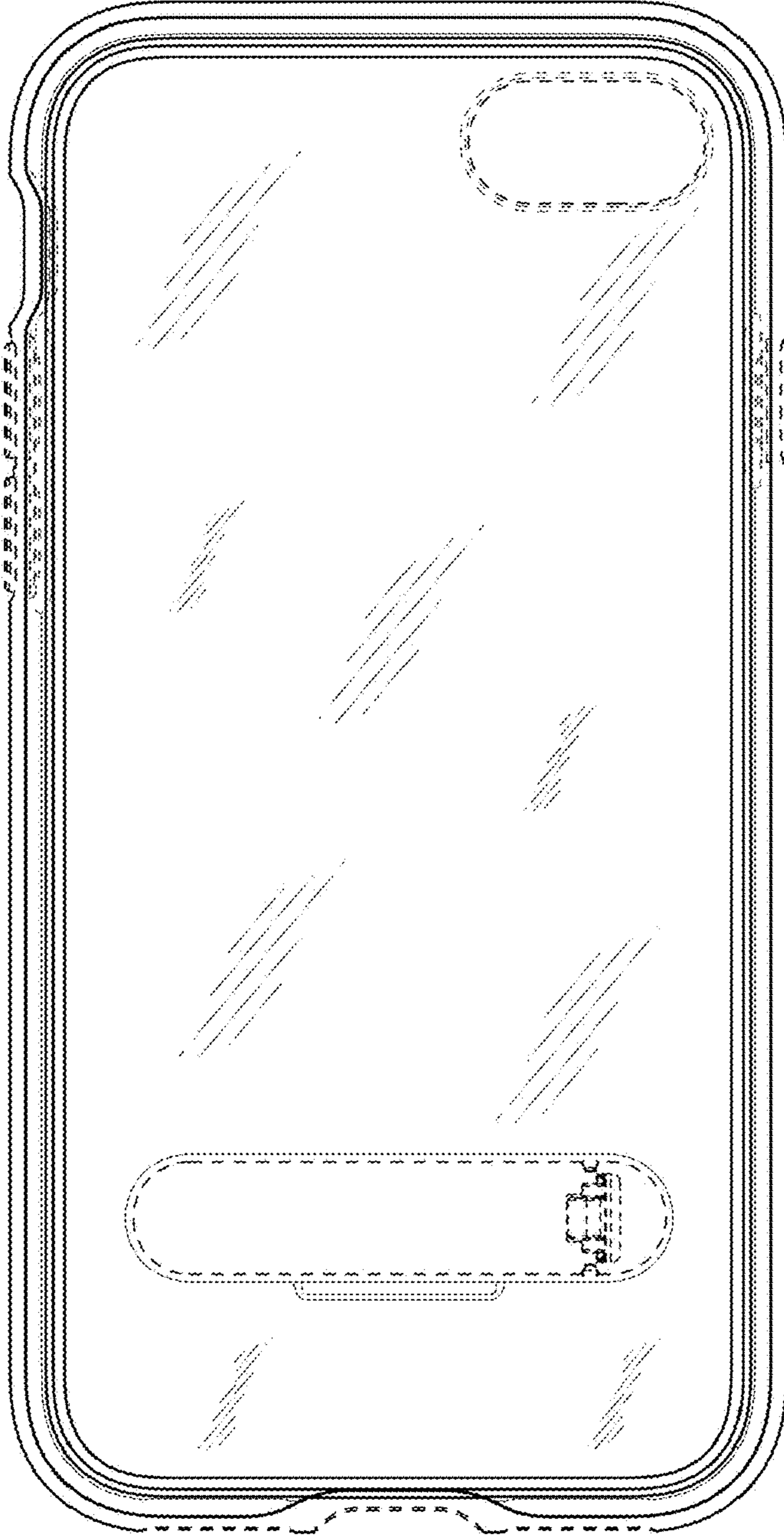


FIG. 5

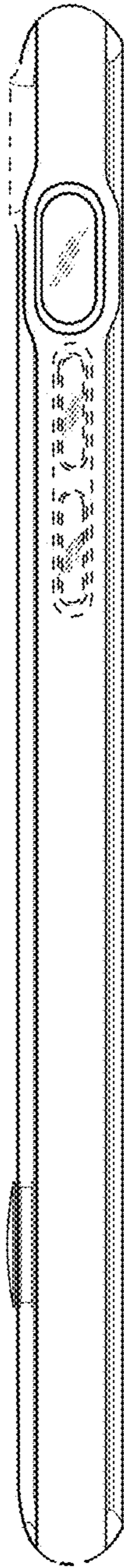


FIG. 6

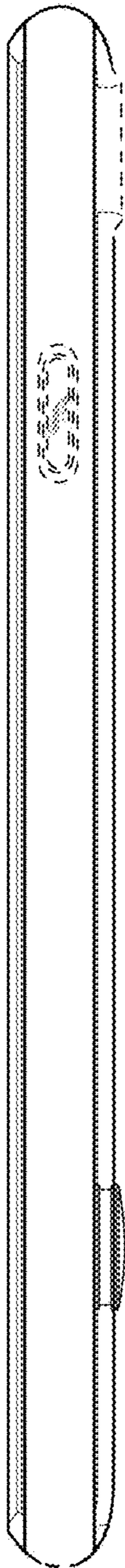


FIG. 7

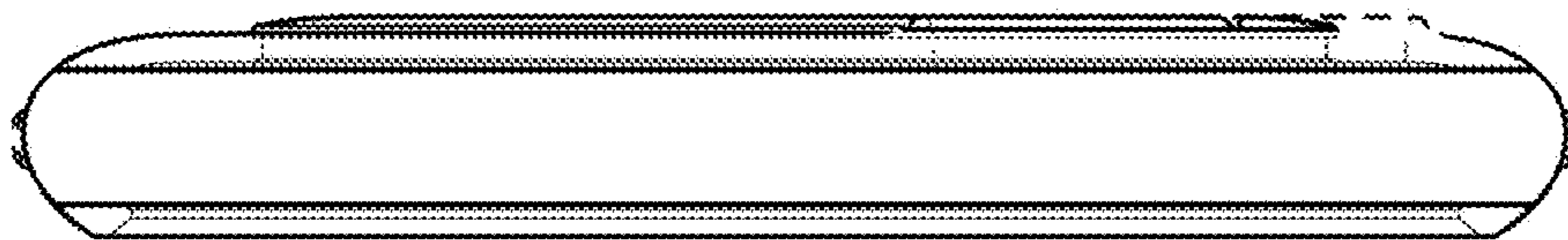


FIG. 8

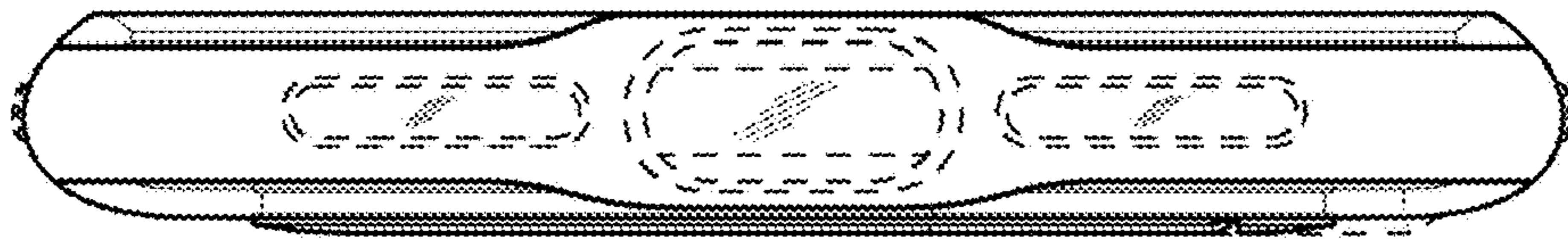


FIG. 9

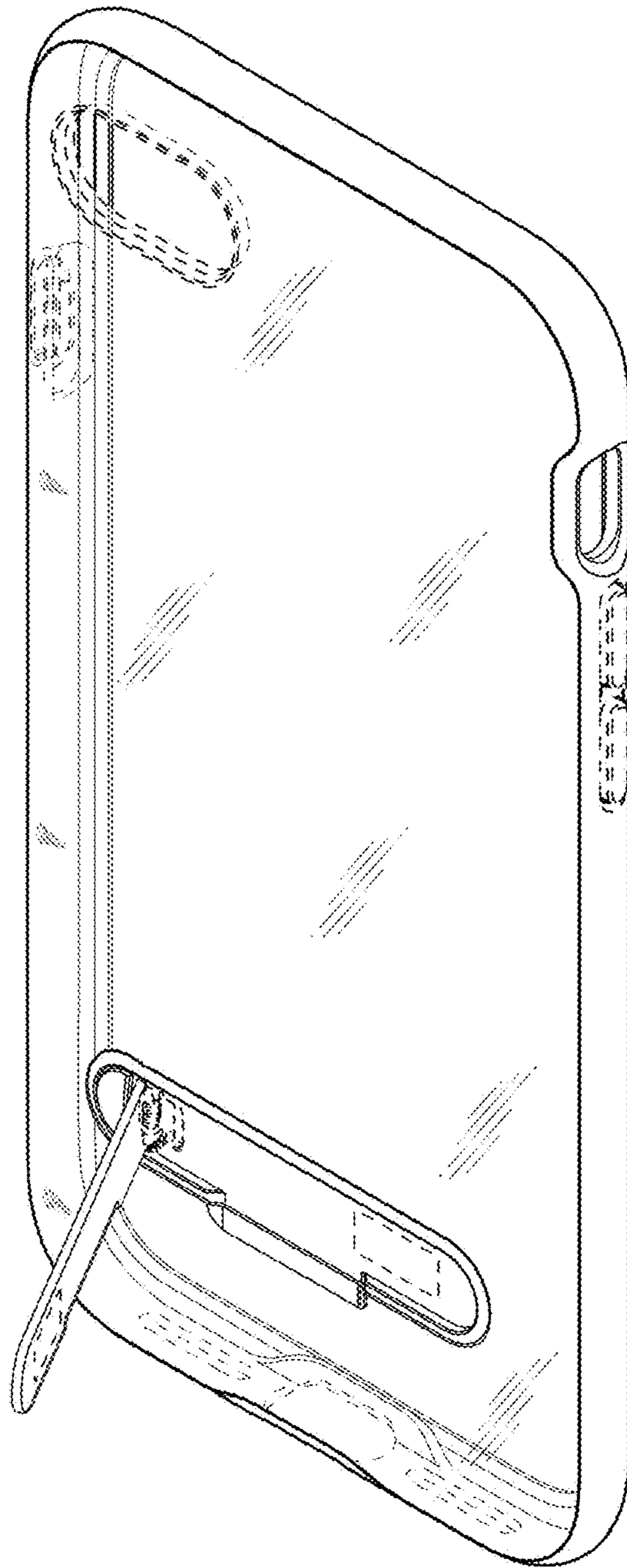


FIG. 10

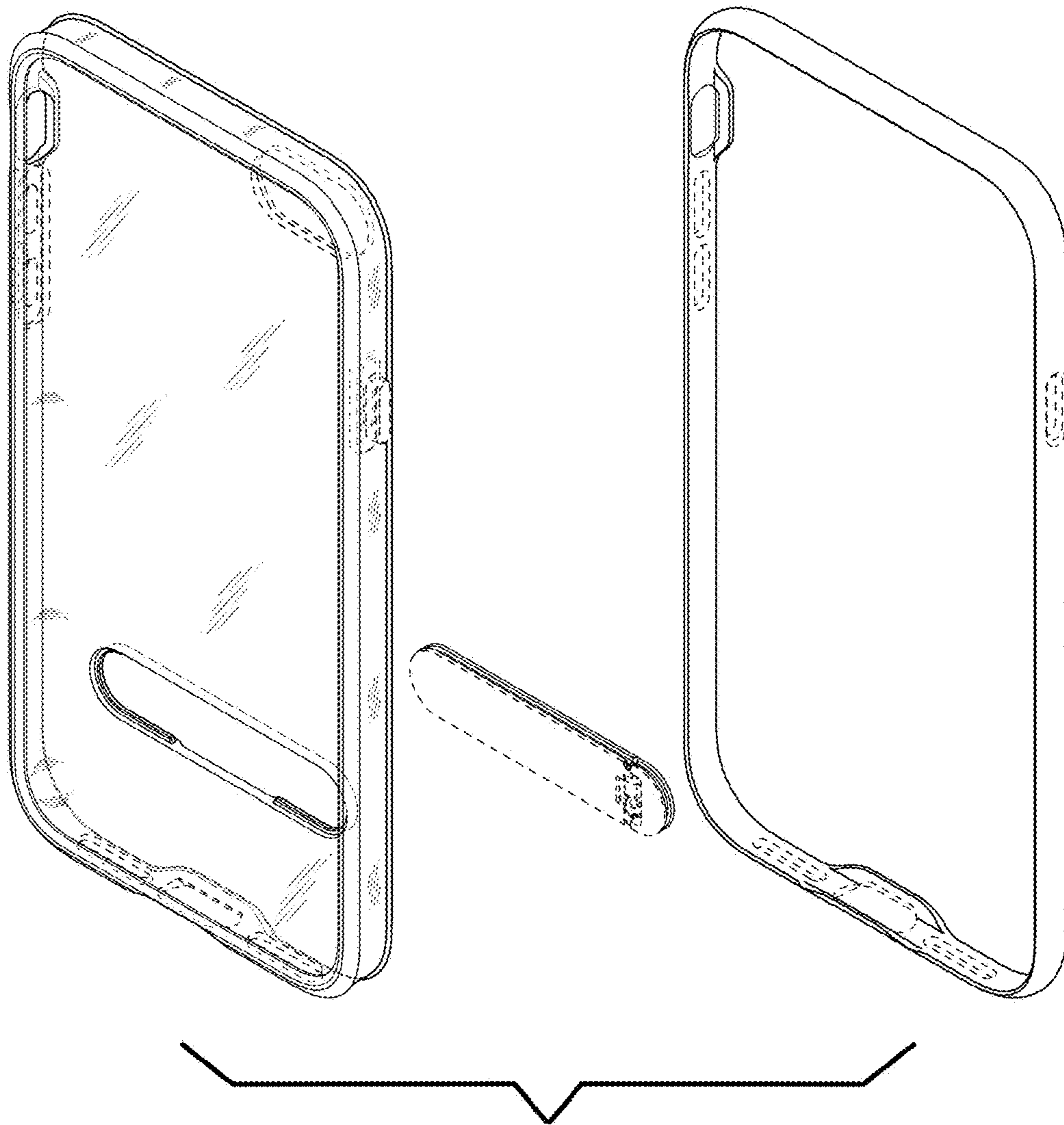


FIG. 11

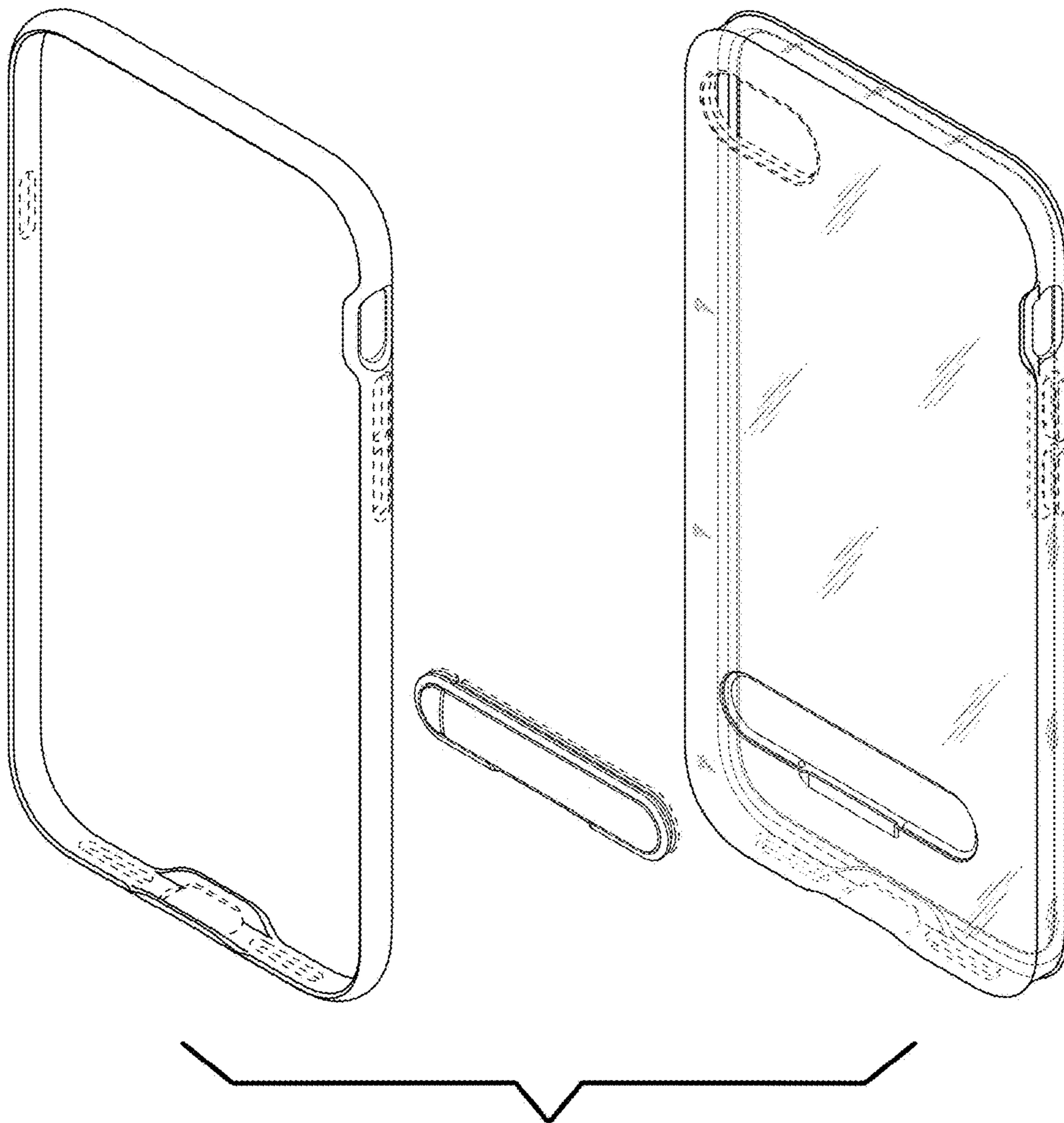


FIG. 12

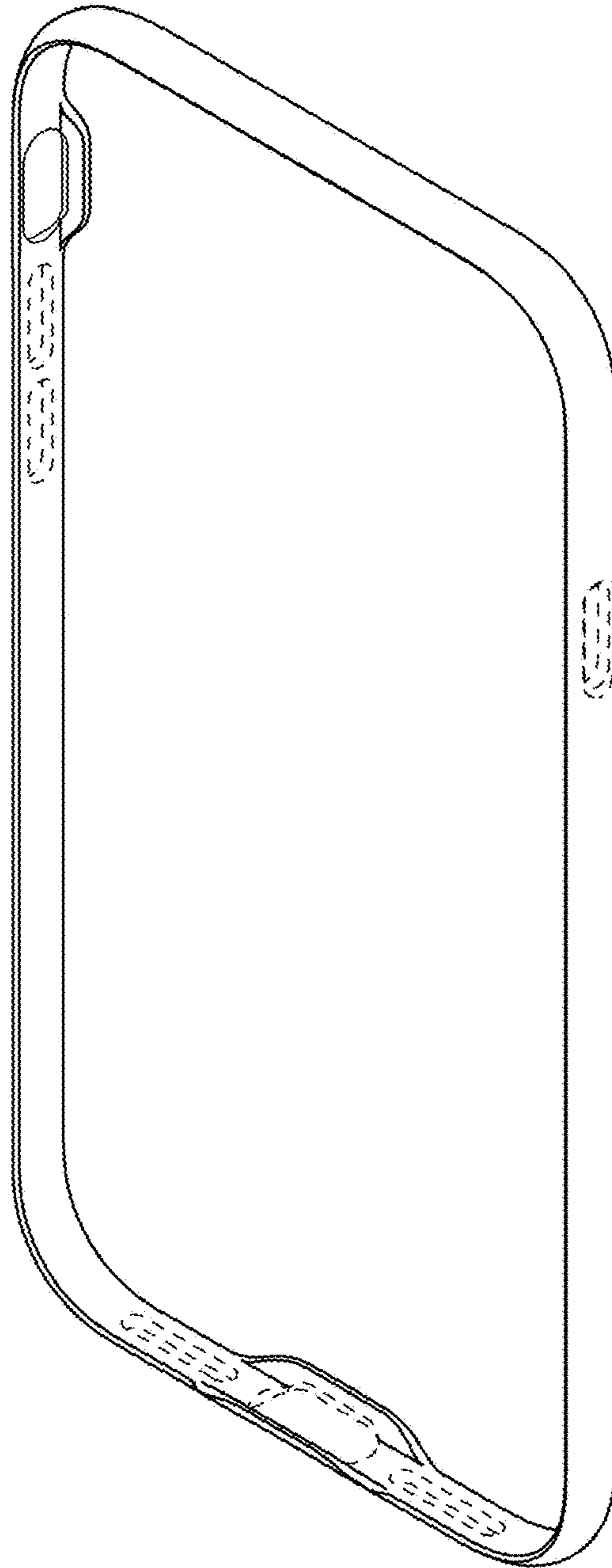


FIG. 13

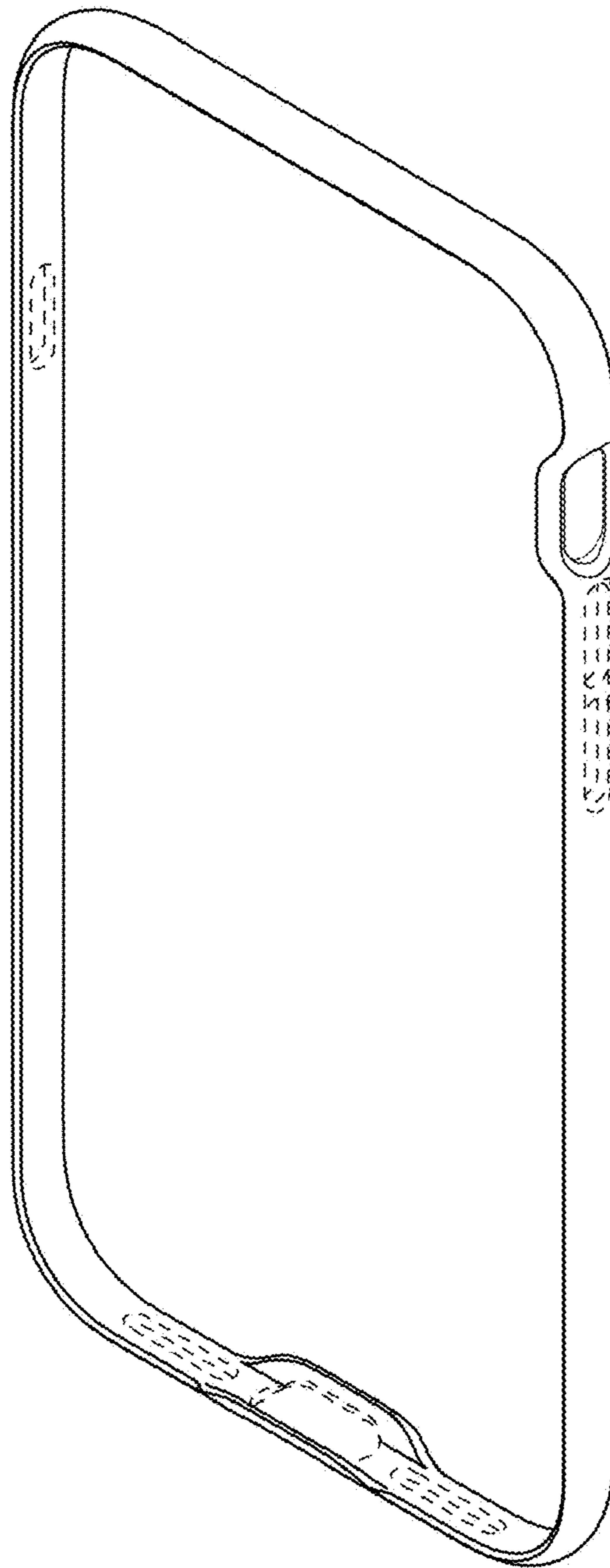


FIG. 14

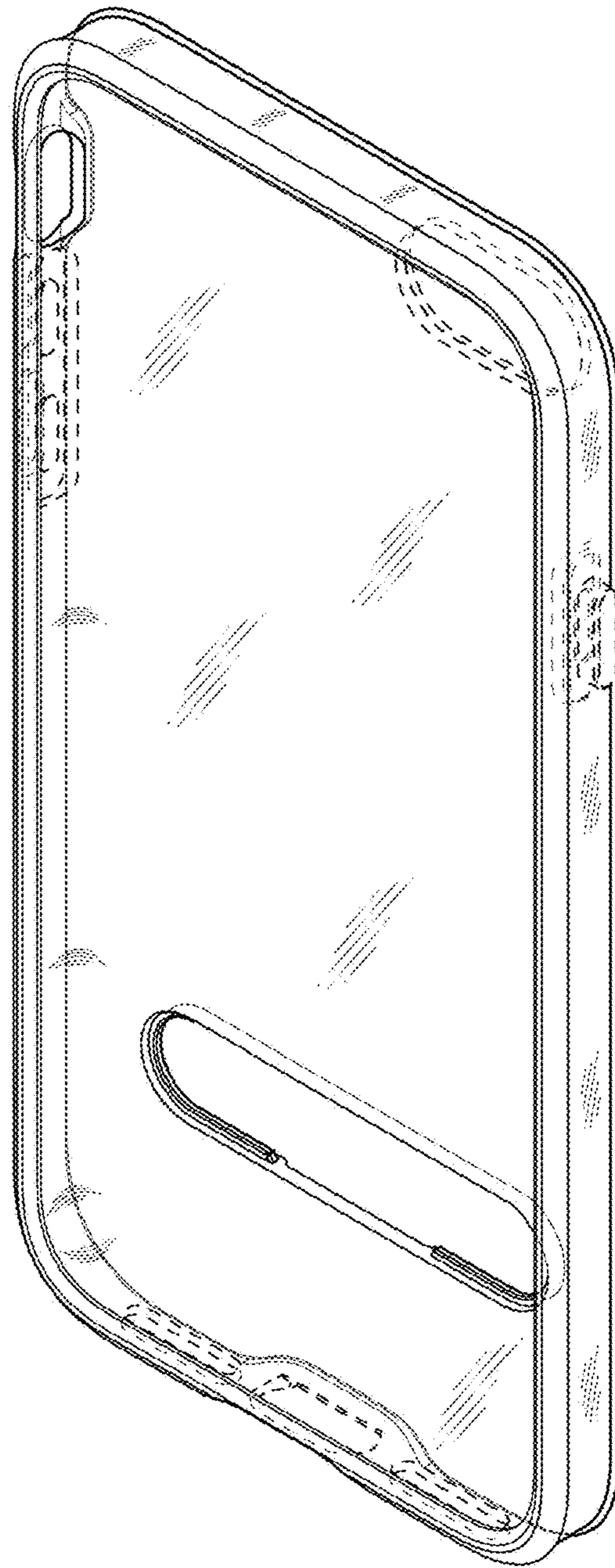


FIG. 15

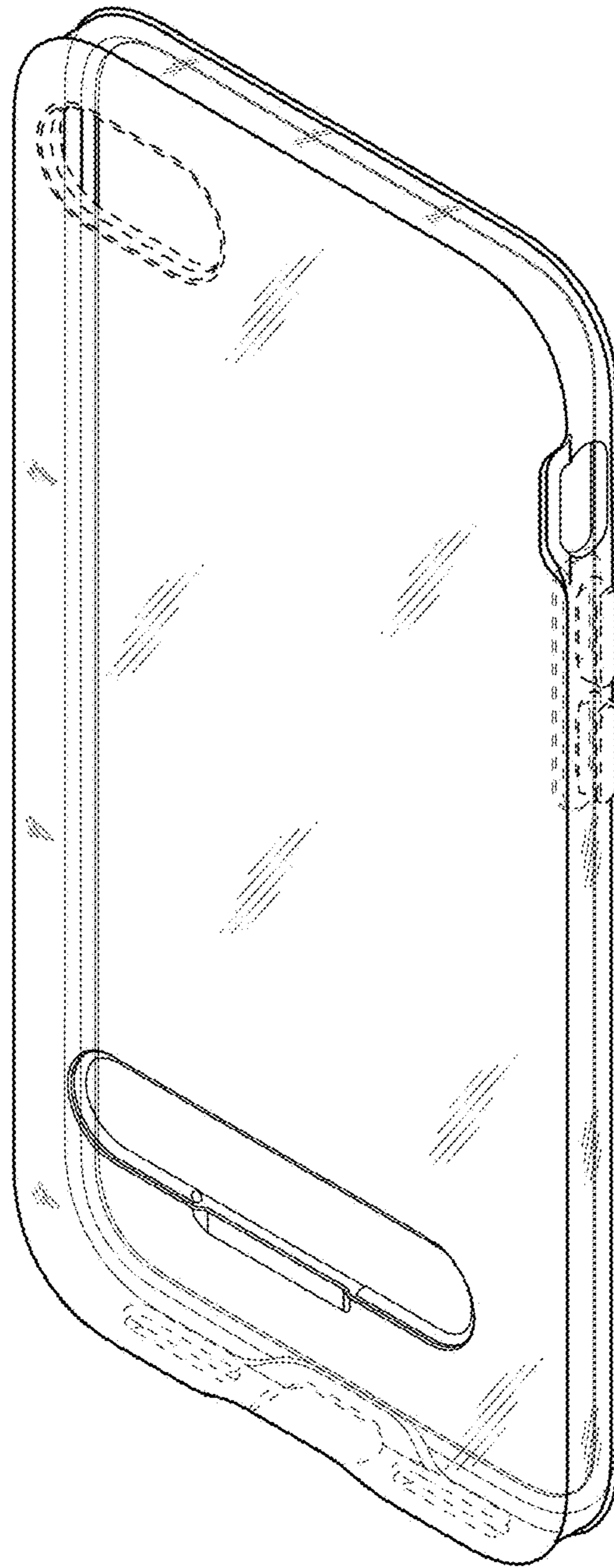


FIG. 16

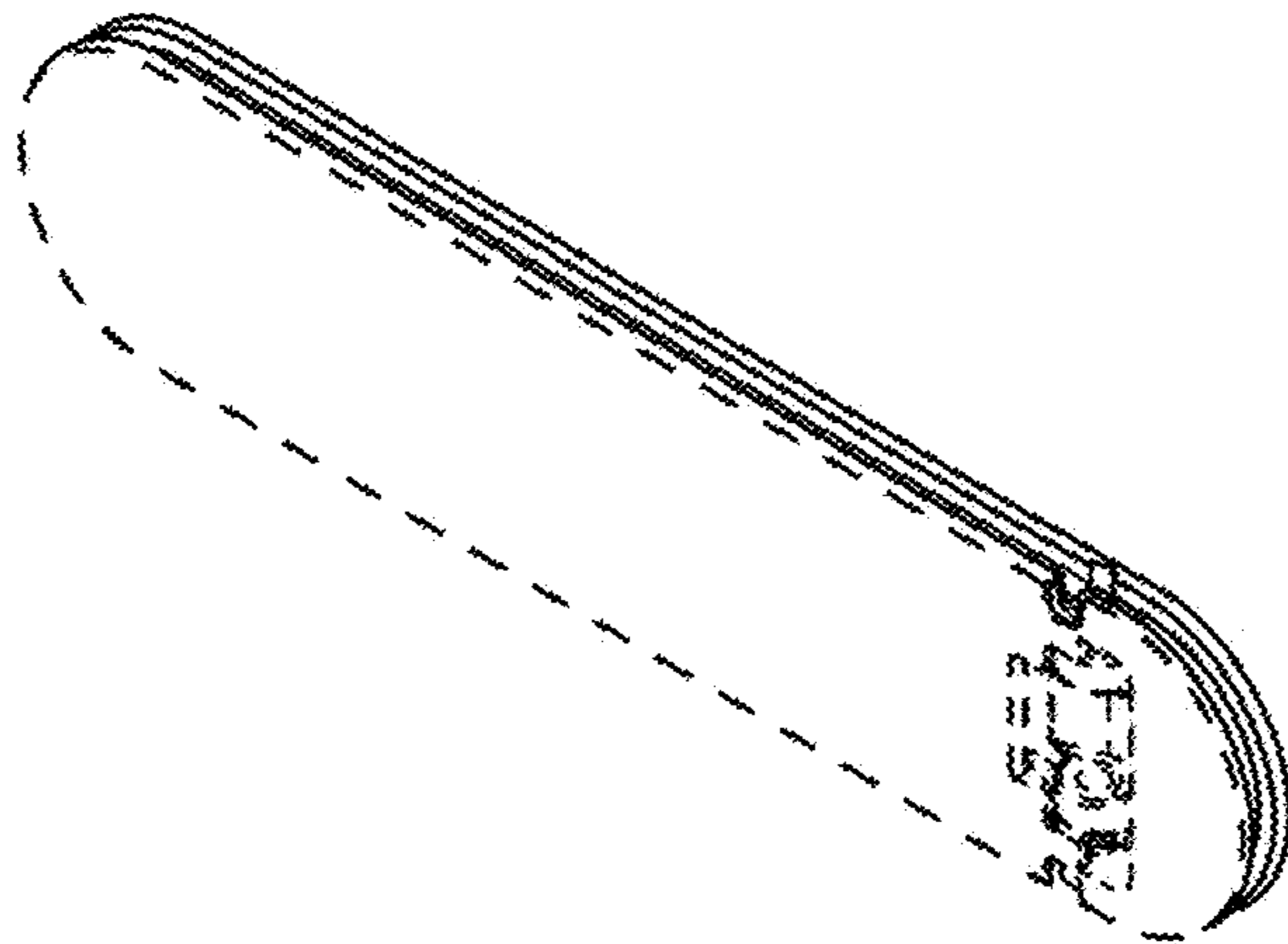


FIG. 17

