



US00D854522S

(12) **United States Design Patent**
Wild

(10) **Patent No.:** **US D854,522 S**
(45) **Date of Patent:** **** Jul. 23, 2019**

(54) **NETWORKING DEVICE**

D660,828 S * 5/2012 Petsch D14/240
D738,869 S * 9/2015 Groener D14/240
D764,408 S * 8/2016 Spiegel D13/110

(71) Applicant: **TRIDONIC GMBH & CO. KG,**
Dornbirn (AT)

FOREIGN PATENT DOCUMENTS

(72) Inventor: **Emanuel Wild,** Lustenau (AT)

JP D1545098 * 3/2016

(73) Assignee: **Tridonic GMBH & Co., KG,** Dornbirn (AT)

OTHER PUBLICATIONS

(**) Term: **15 Years**

LampShopOnline. <URL: <https://www.lampshoponline.com/tridonic-pca-2x26-32-42-tc-eco.html>> visited Nov. 7, 2017. Tridonic high frequency dimmable ballast.*

(21) Appl. No.: **29/577,272**

(22) Filed: **Sep. 12, 2016**

* cited by examiner

(30) **Foreign Application Priority Data**

Mar. 11, 2016 (EM) 003024181

Primary Examiner — Susan Bennett Hattan
Assistant Examiner — Lauren D McVey

(51) **LOC (11) Cl.** **14-03**

(74) *Attorney, Agent, or Firm* — Scully, Scott, Murphy & Presser, P.C.

(52) **U.S. Cl.**
USPC **D14/240**

(57) **CLAIM**

(58) **Field of Classification Search**
USPC D14/242, 240, 355, 357, 358, 125,
D14/140-140.9, 155, 137, 139, 243, 239,
D14/433, 314, 496, 188, 348, 351, 356
CPC H04L 12/00; H03K 17/00; H04W 88/00;
H04W 88/005; H04W 88/02; H04W
88/08; H04W 88/085; H04W 88/10;
H04W 88/12; H04W 88/14; H04B 1/38
See application file for complete search history.

The ornamental design for a networking device, as shown and described.

DESCRIPTION

(56) **References Cited**

U.S. PATENT DOCUMENTS

D281,493 S * 11/1985 Prager D13/162.1
D304,929 S * 12/1989 Bench D13/126
D346,378 S * 4/1994 Smylie D13/147
D355,196 S * 2/1995 Nakamura D13/184
D356,291 S * 3/1995 Kawamura D13/110
D356,994 S * 4/1995 Tamaki D13/110
D361,310 S * 8/1995 Kawamura D13/110
D362,839 S * 10/1995 Tamaki D13/110
D374,430 S * 10/1996 Loh D13/162
D604,241 S * 11/2009 Haberle D13/123

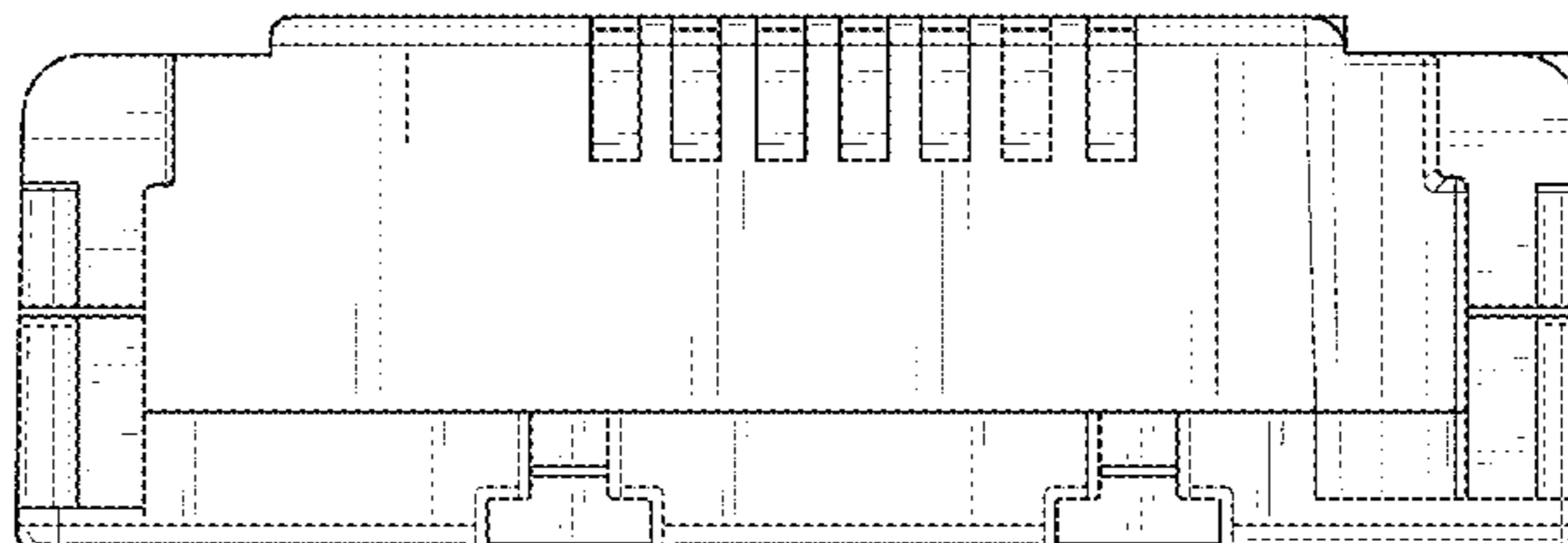
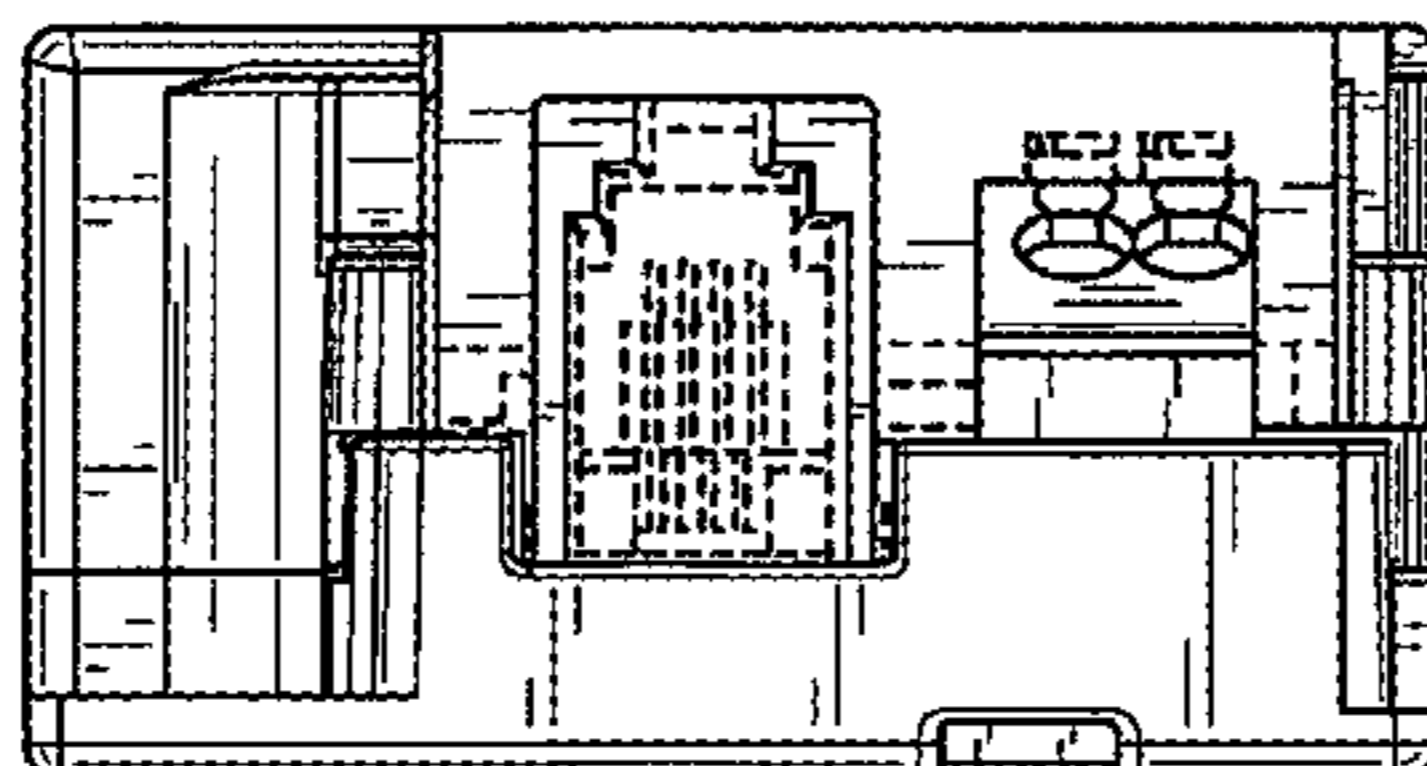
FIG. 1 is a rear perspective view of a networking device showing my new design;
FIG. 2 is a front perspective view thereof;
FIG. 3 is a front elevation view thereof;
FIG. 4 is a rear elevation view thereof;
FIG. 5 is a top plan view thereof;
FIG. 6 is a side elevation view thereof; and,
FIG. 7 is an opposite side elevation view thereof.

The wire frame lines shown throughout the views are intended to indicate surface contour.

The broken lines are included for the purpose of illustrating portions of the article that form no part of the claimed design.

The bottom side of the article forms no part of the claimed design.

1 Claim, 7 Drawing Sheets



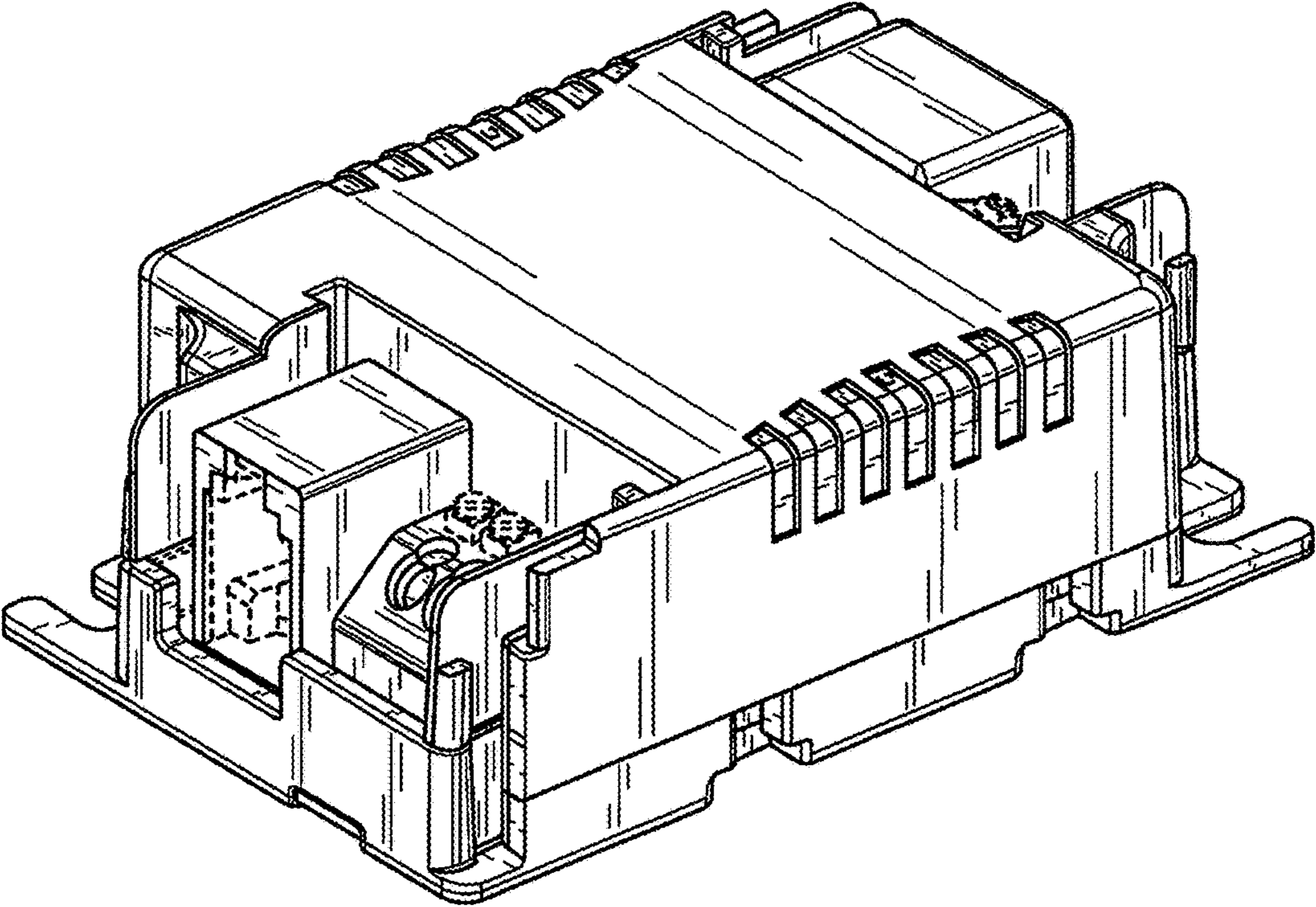


FIG. 1

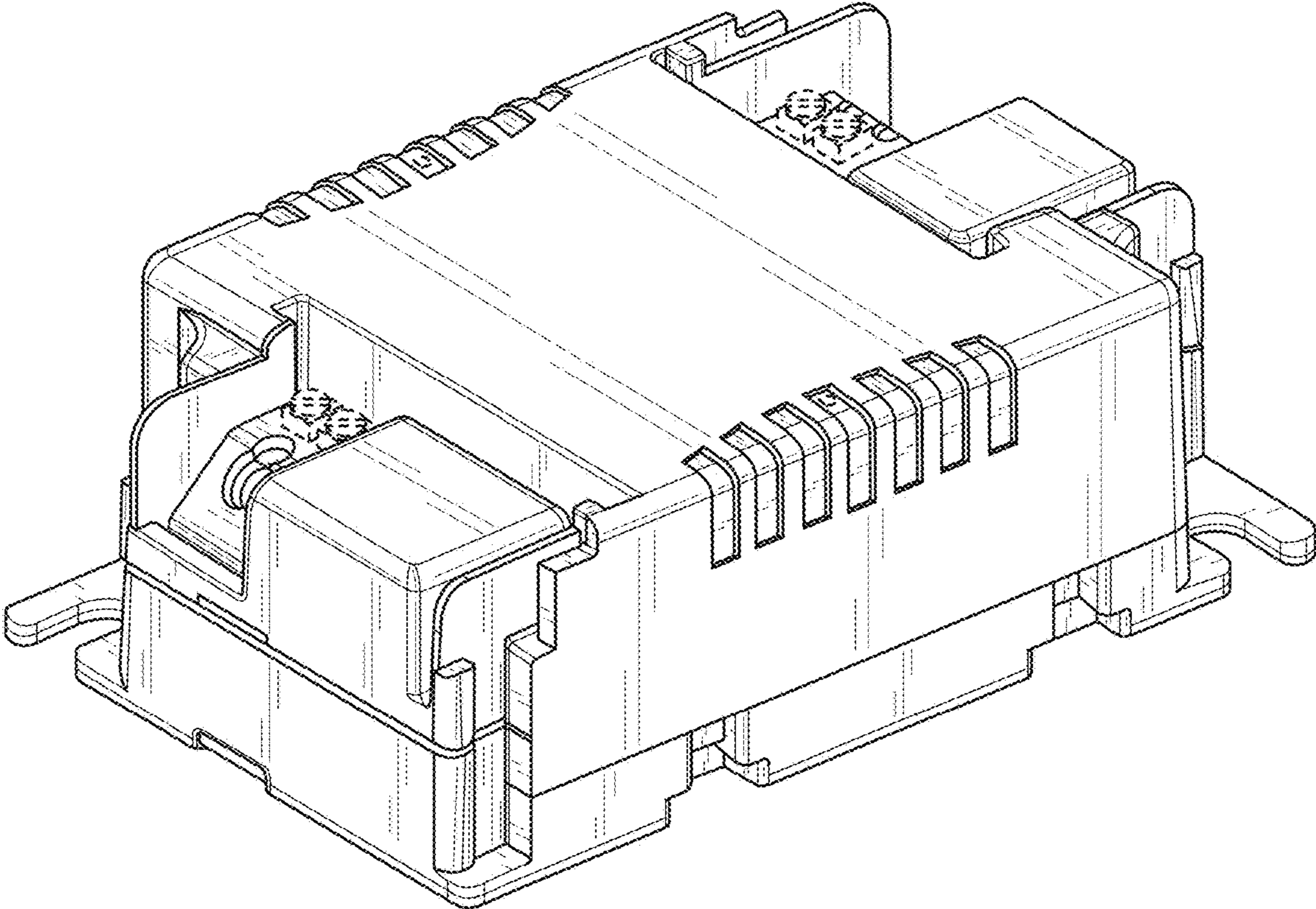


FIG. 2

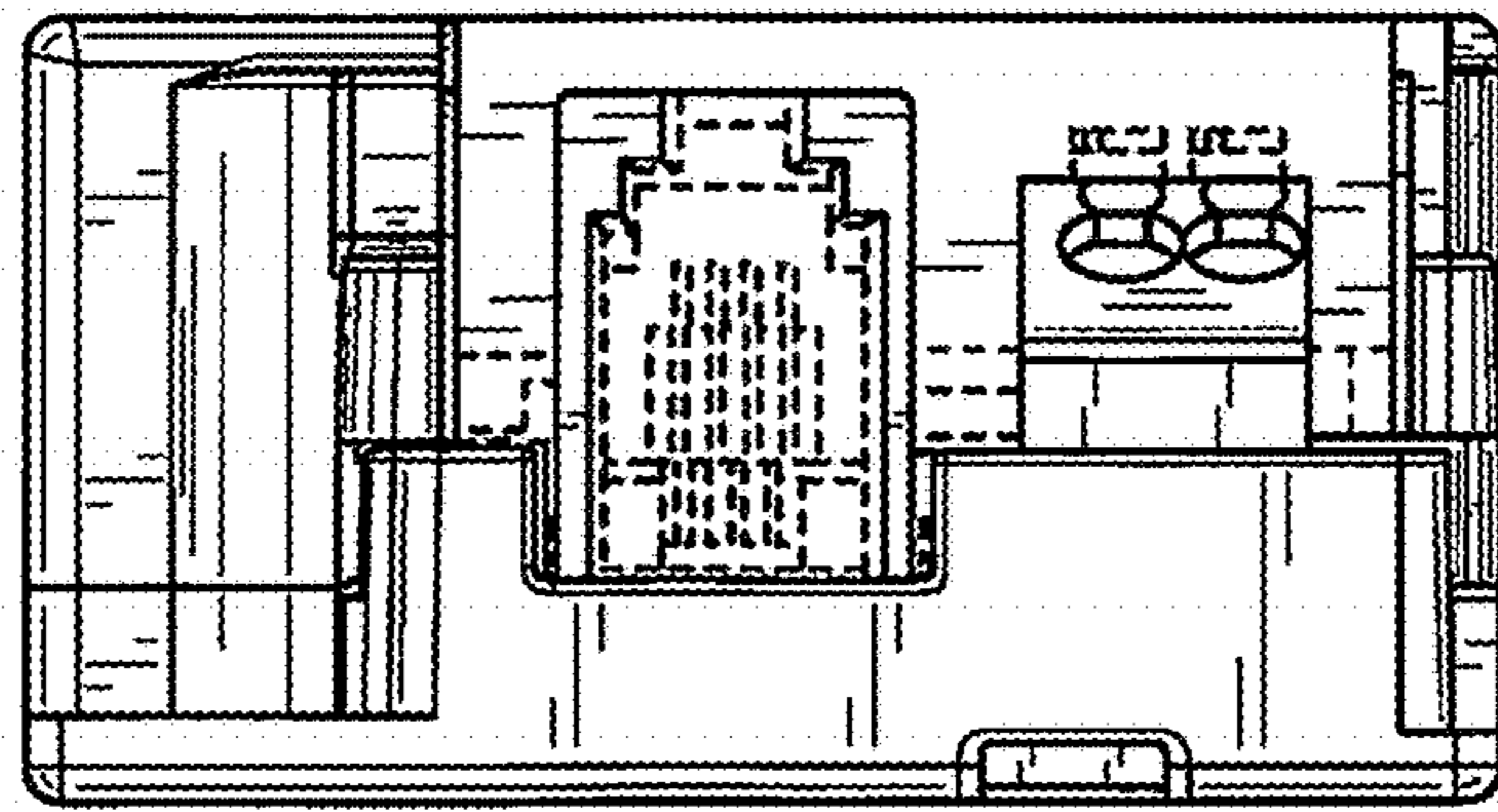


FIG. 3

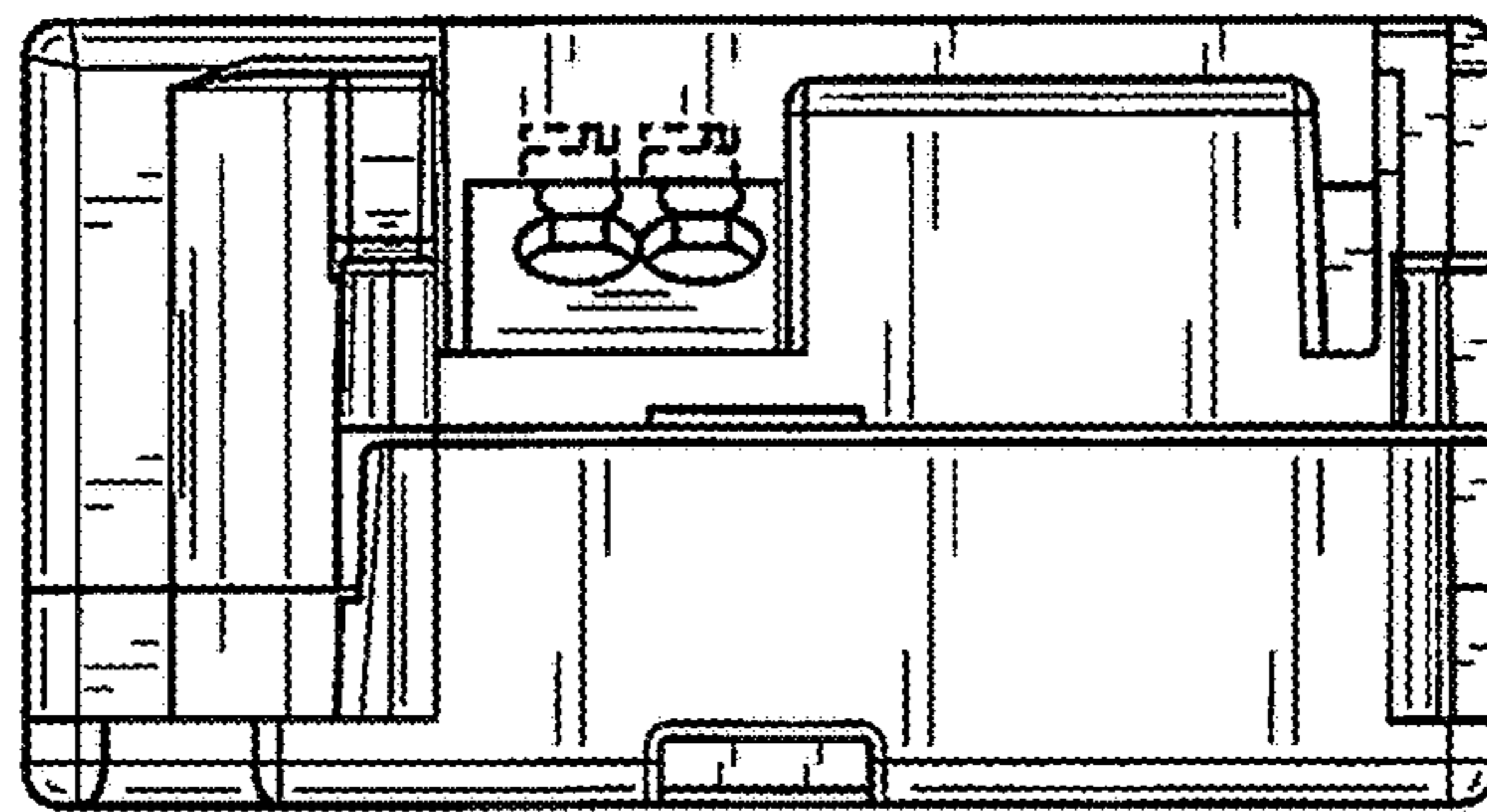


FIG. 4

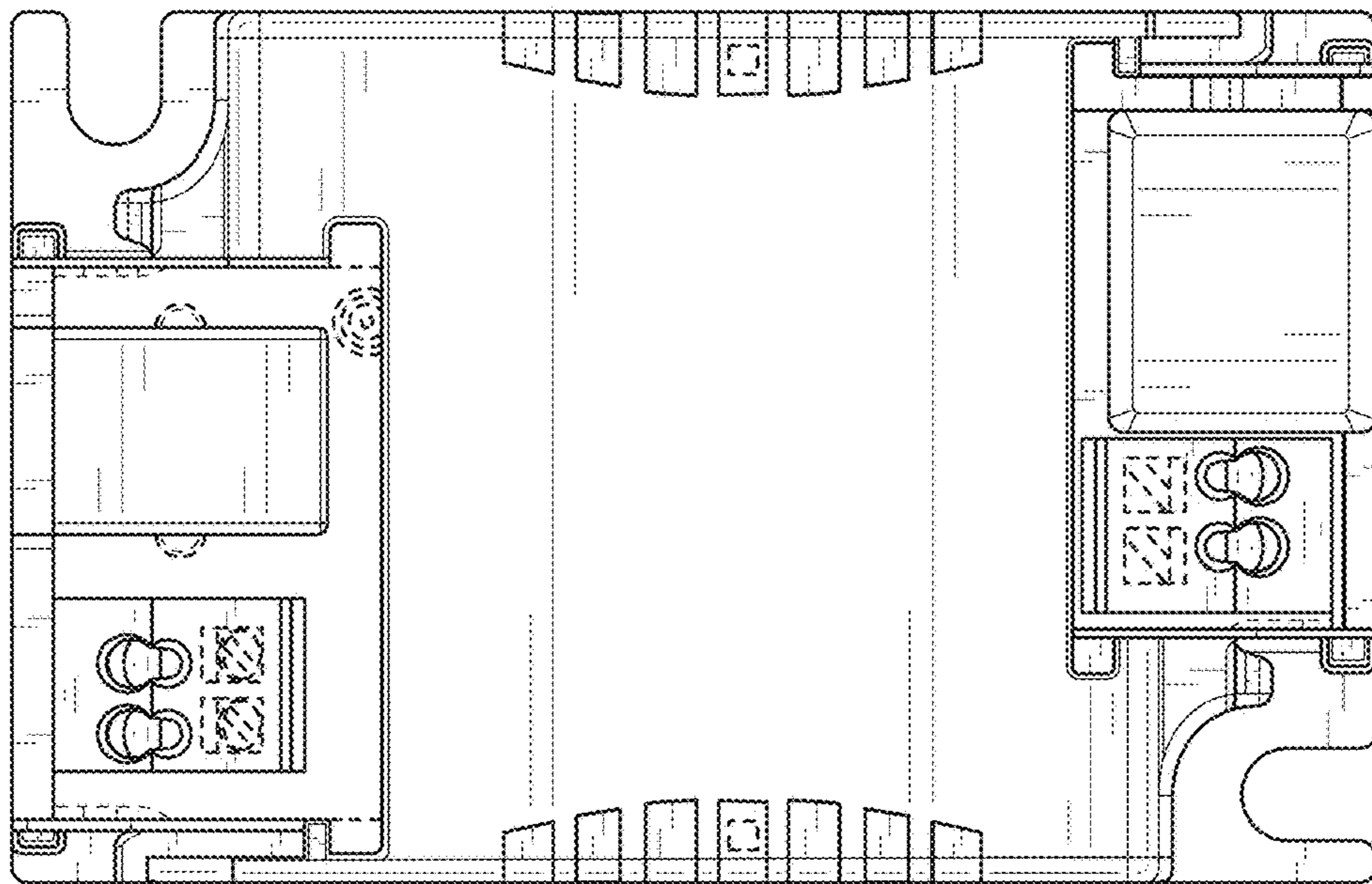


FIG. 5

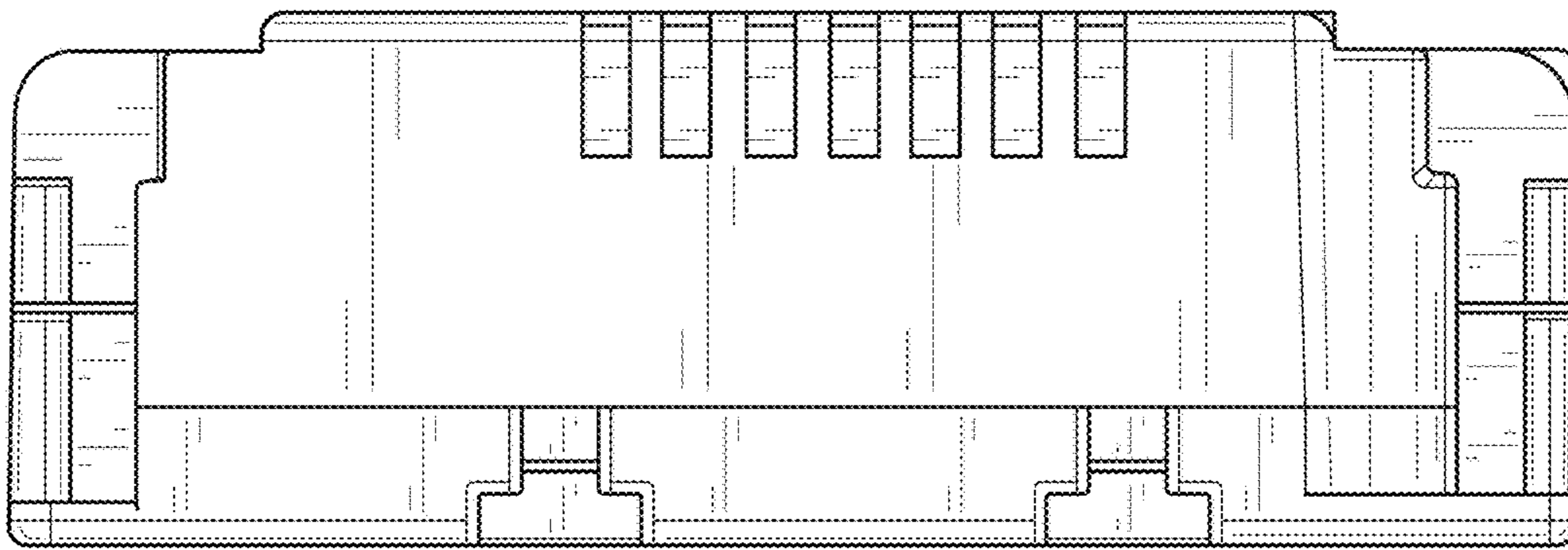


FIG. 6

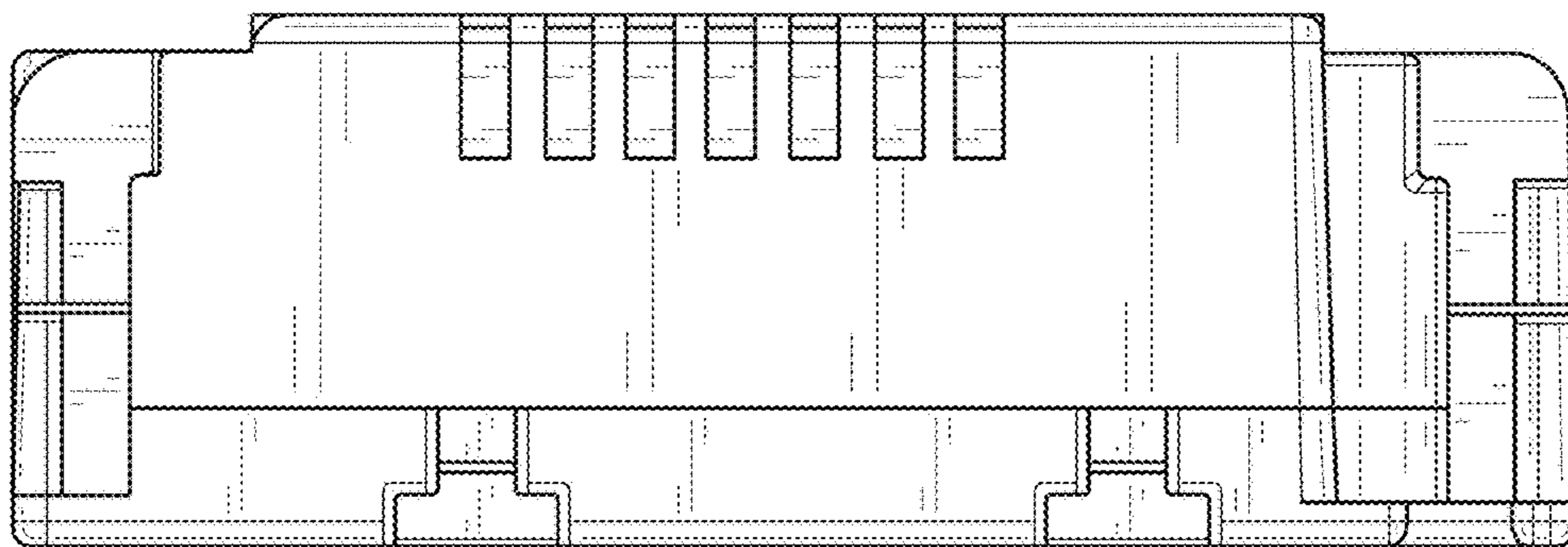


FIG. 7