



US00D854521S

(12) **United States Design Patent**  
**Sunwoo et al.**

(10) **Patent No.:** **US D854,521 S**  
(45) **Date of Patent:** **\*\* Jul. 23, 2019**

(54) **MICROPHONE MOUNT**

(71) Applicant: **Freedman Electronics Pty Limited,**  
Silverwater, NSW (AU)  
(72) Inventors: **Sun Kyung Sunwoo,** Silverwater (AU);  
**Samuel Dean Trewartha,** Silverwater  
(AU)

(73) Assignee: **FREEDMAN ELECTRONICS PTY LIMITED,** Silverwater, NSW (AU)

(\*\*) Term: **15 Years**

(21) Appl. No.: **29/581,952**

(22) Filed: **Oct. 24, 2016**

(30) **Foreign Application Priority Data**

Apr. 27, 2016 (AU) ..... 201612219

(51) **LOC (11) Cl.** ..... **14-01**

(52) **U.S. Cl.**  
USPC ..... **D14/227**

(58) **Field of Classification Search**  
USPC ..... D13/115, 123, 133; D14/225, 227, 229  
CPC ... H04R 1/08; H04R 9/04; H04R 9/08; H04R  
11/04  
See application file for complete search history.

(56) **References Cited**

**U.S. PATENT DOCUMENTS**

1,537,772 A \* 5/1925 Hitzler ..... H04M 1/04  
248/279.1  
2,858,093 A \* 10/1958 Knoll ..... E21B 17/1035  
174/136

D314,325 S \* 2/1991 Ziaylek, Jr. .... D8/373  
D367,999 S \* 3/1996 McCallum ..... D6/553  
D619,452 S \* 7/2010 Ollila ..... D8/396  
D772,205 S \* 11/2016 Sunwoo ..... D14/229  
D823,283 S \* 7/2018 Sunwoo ..... D14/229  
2009/0016558 A1\* 1/2009 Woolf ..... H04R 1/08  
381/368  
2016/0226435 A1\* 8/2016 Almy ..... H02S 20/30

\* cited by examiner

*Primary Examiner* — Daniel D Bui

(74) *Attorney, Agent, or Firm* — Chiesa Shahinian &  
Giantomasi PC

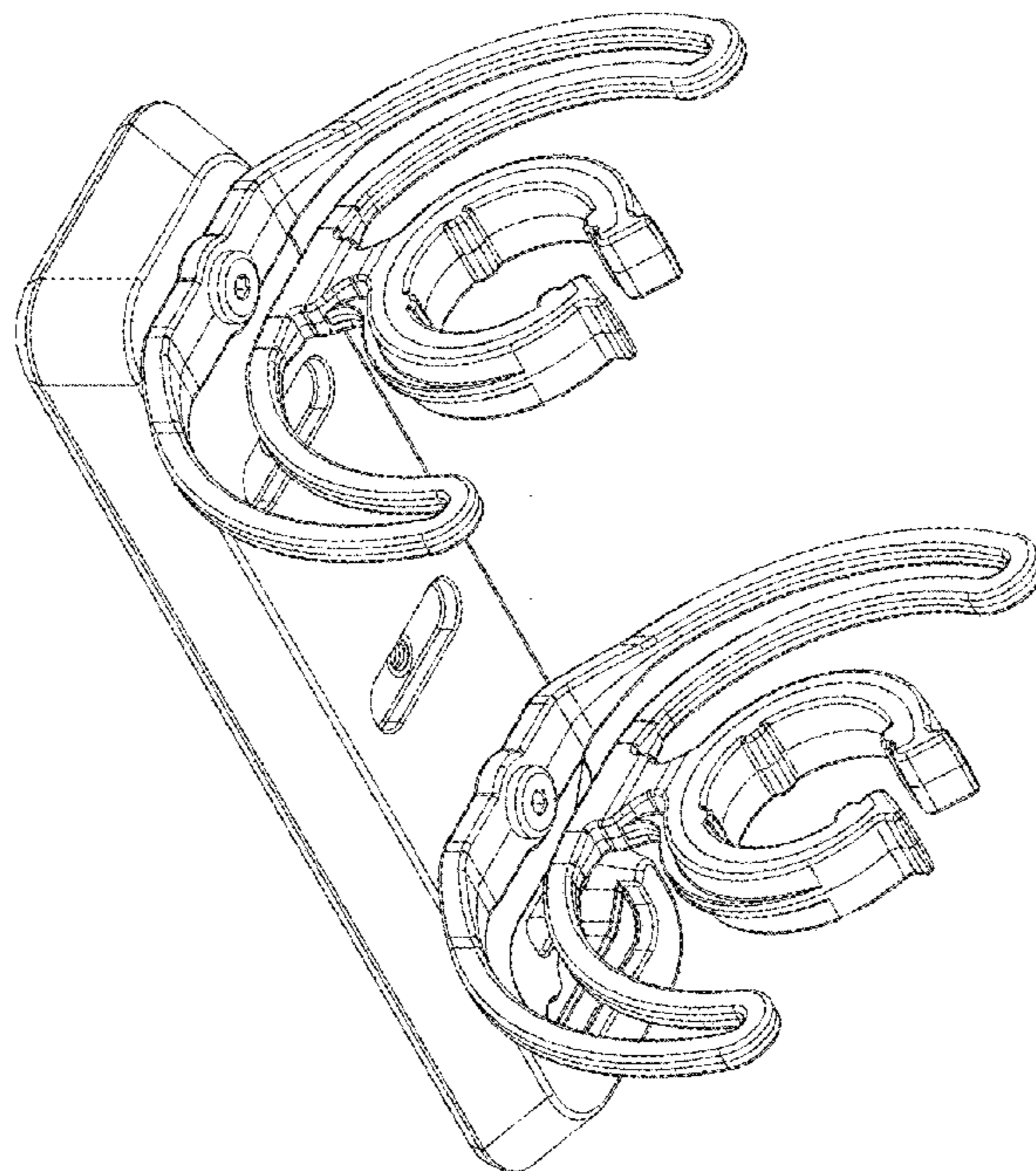
(57) **CLAIM**

The ornamental design for a microphone mount, as shown and described.

**DESCRIPTION**

FIG. 1 is a perspective view for a microphone mount showing our new design;  
FIG. 2 is a front elevation view thereof;  
FIG. 3 is a rear elevation view thereof;  
FIG. 4 is a top plan view thereof;  
FIG. 5 is a bottom plan view thereof;  
FIG. 6 is a left elevation side view thereof; and,  
FIG. 7 is a right elevation side view thereof.  
The broken line shown in the drawing views represents unclaimed environmental only and forms no part of the claimed design.

**1 Claim, 7 Drawing Sheets**



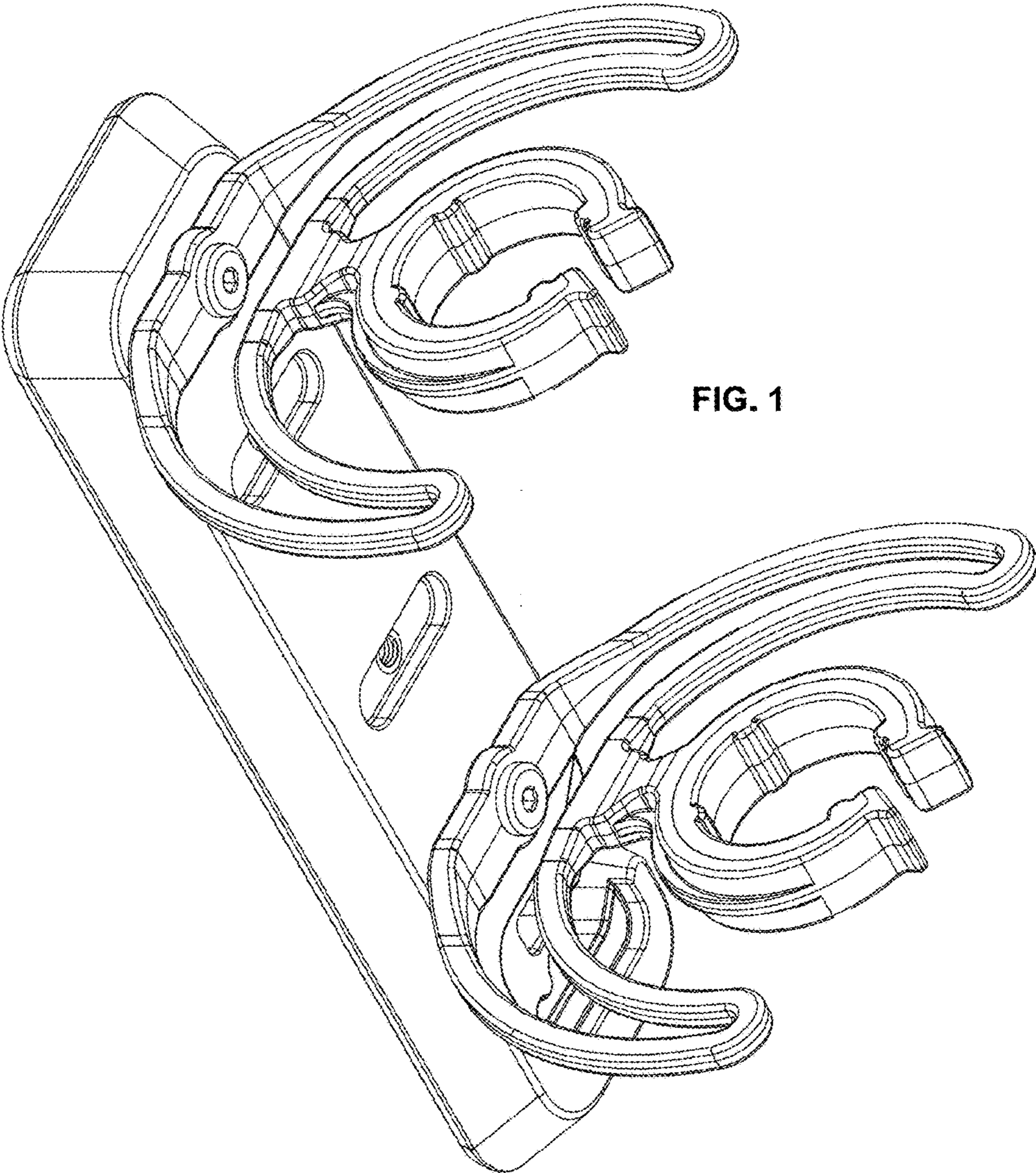


FIG. 2

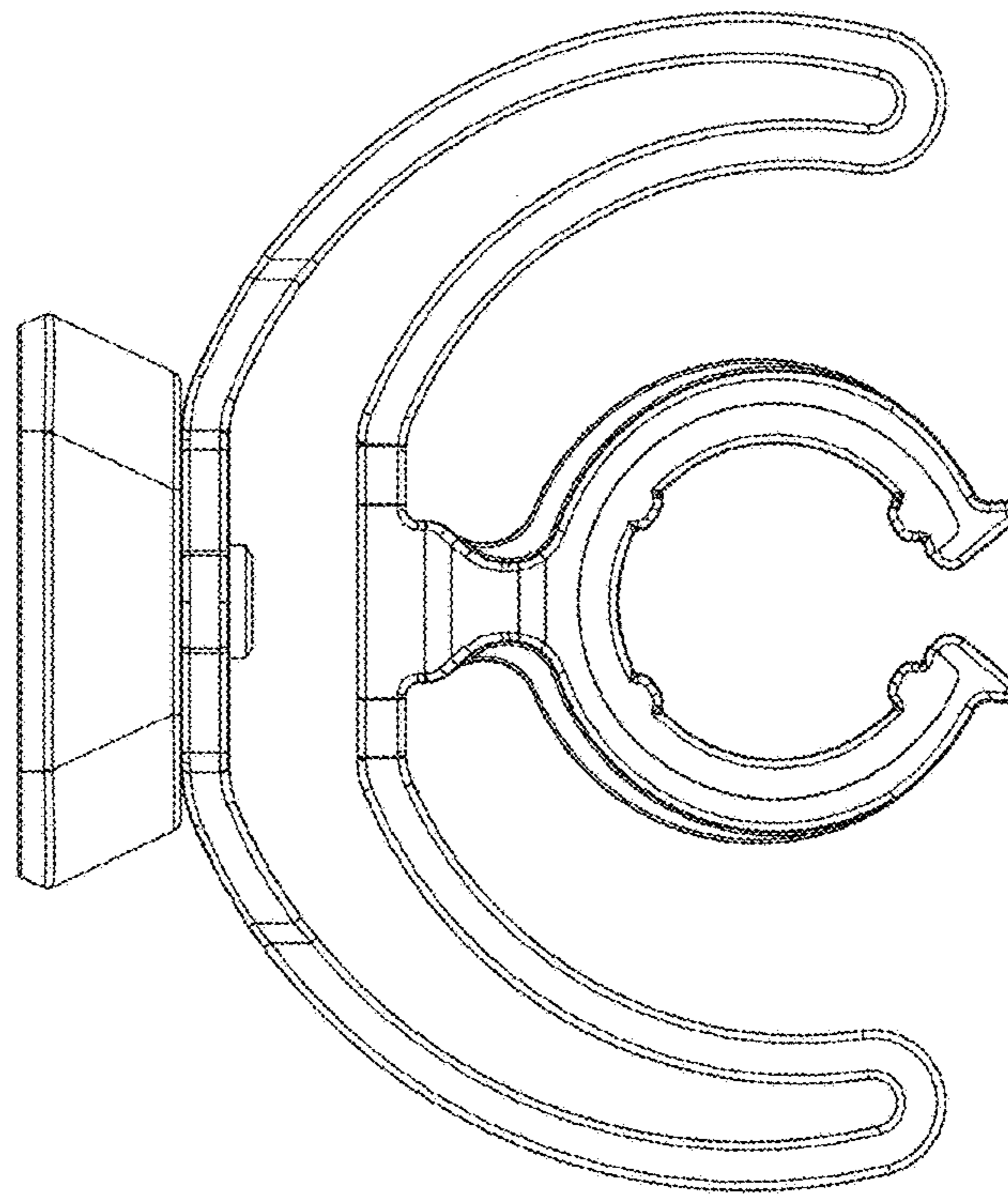
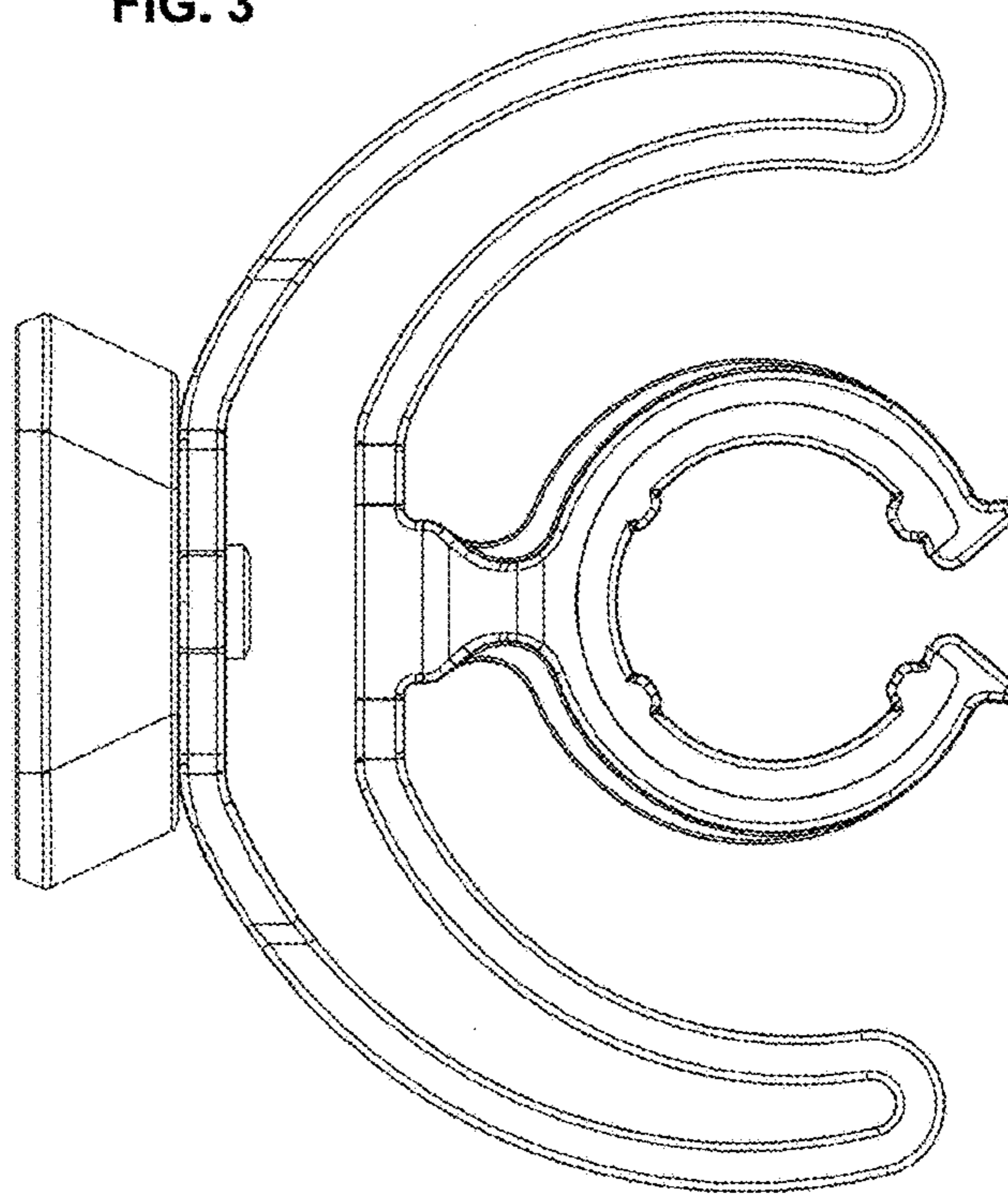
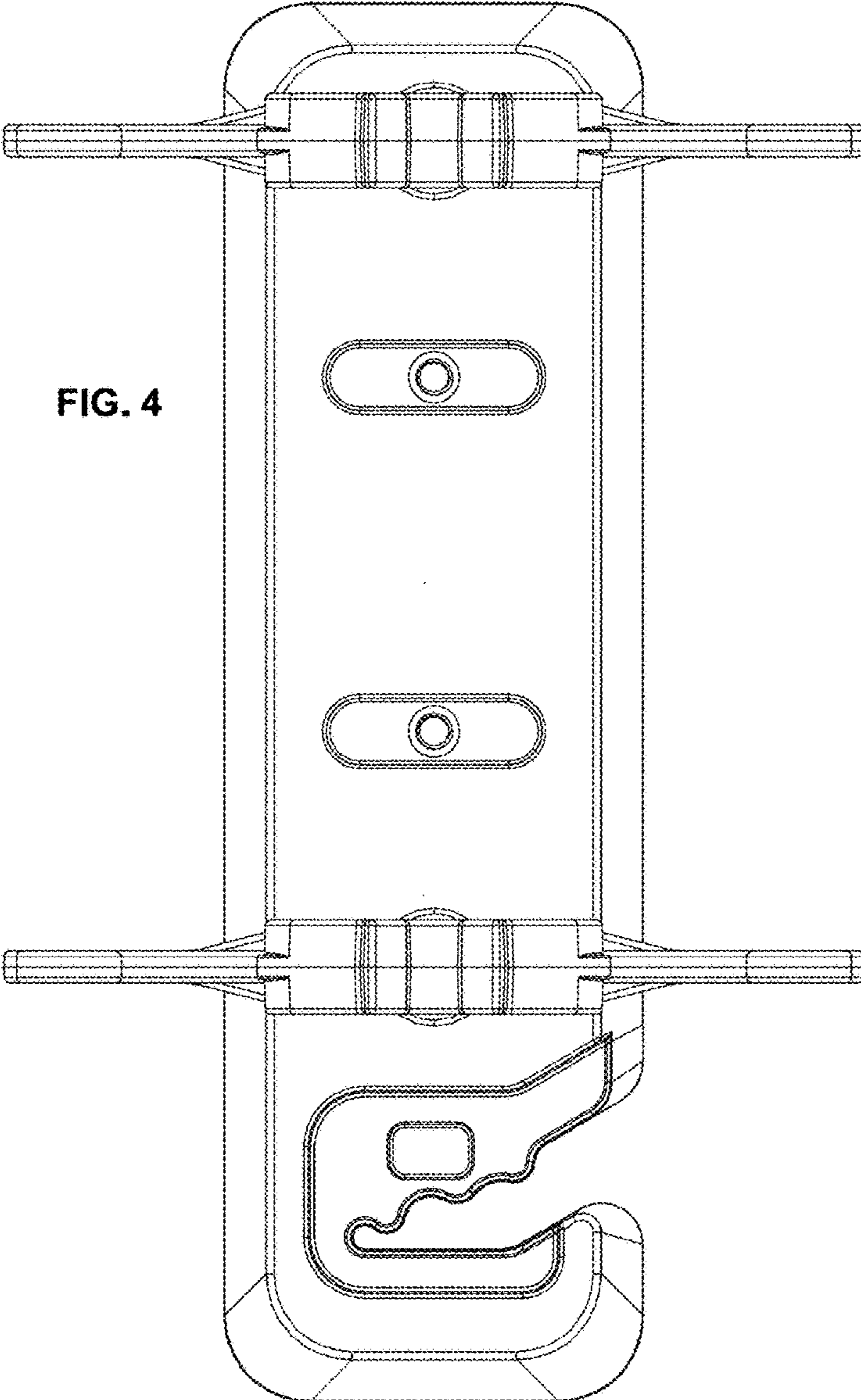


FIG. 3





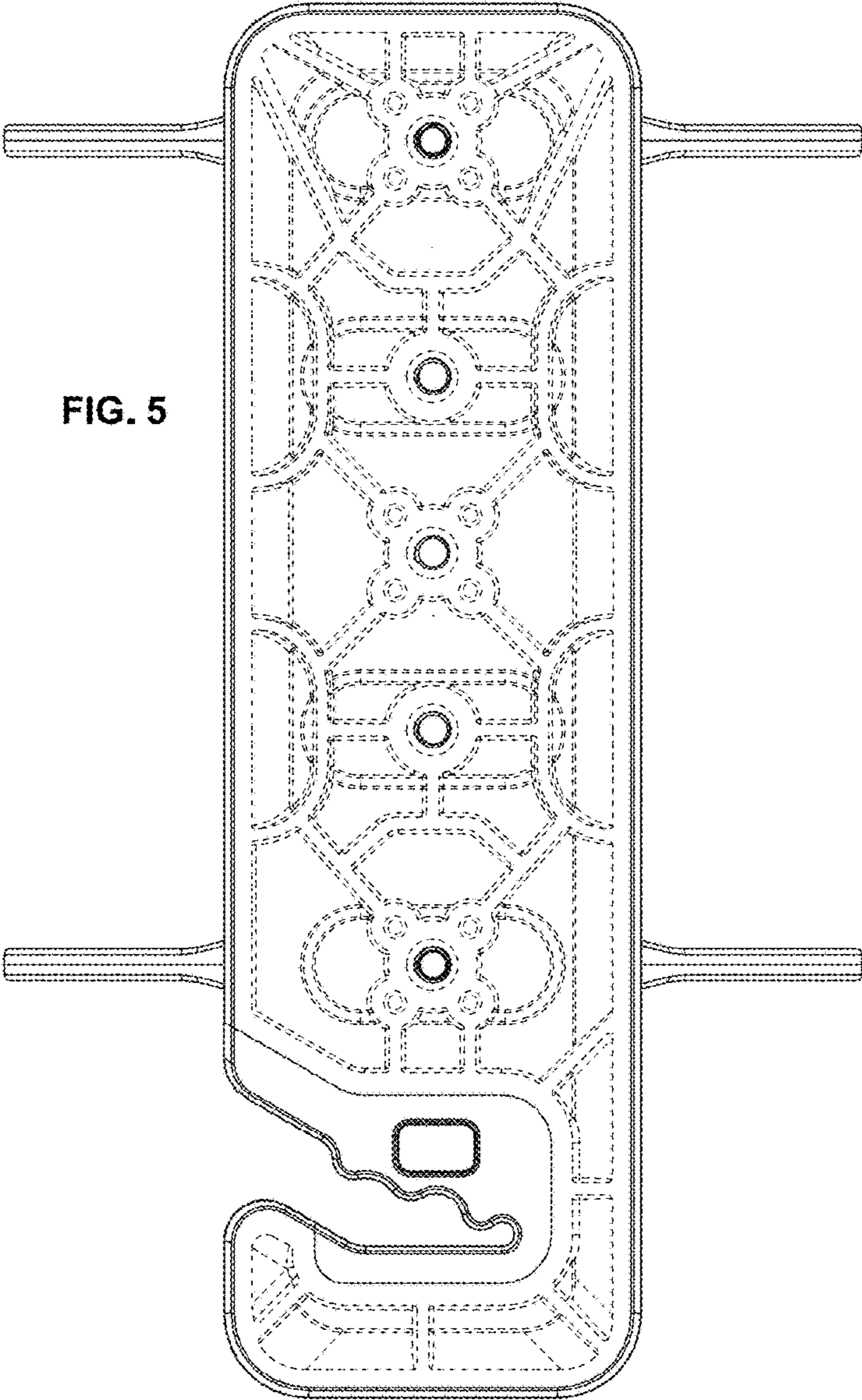
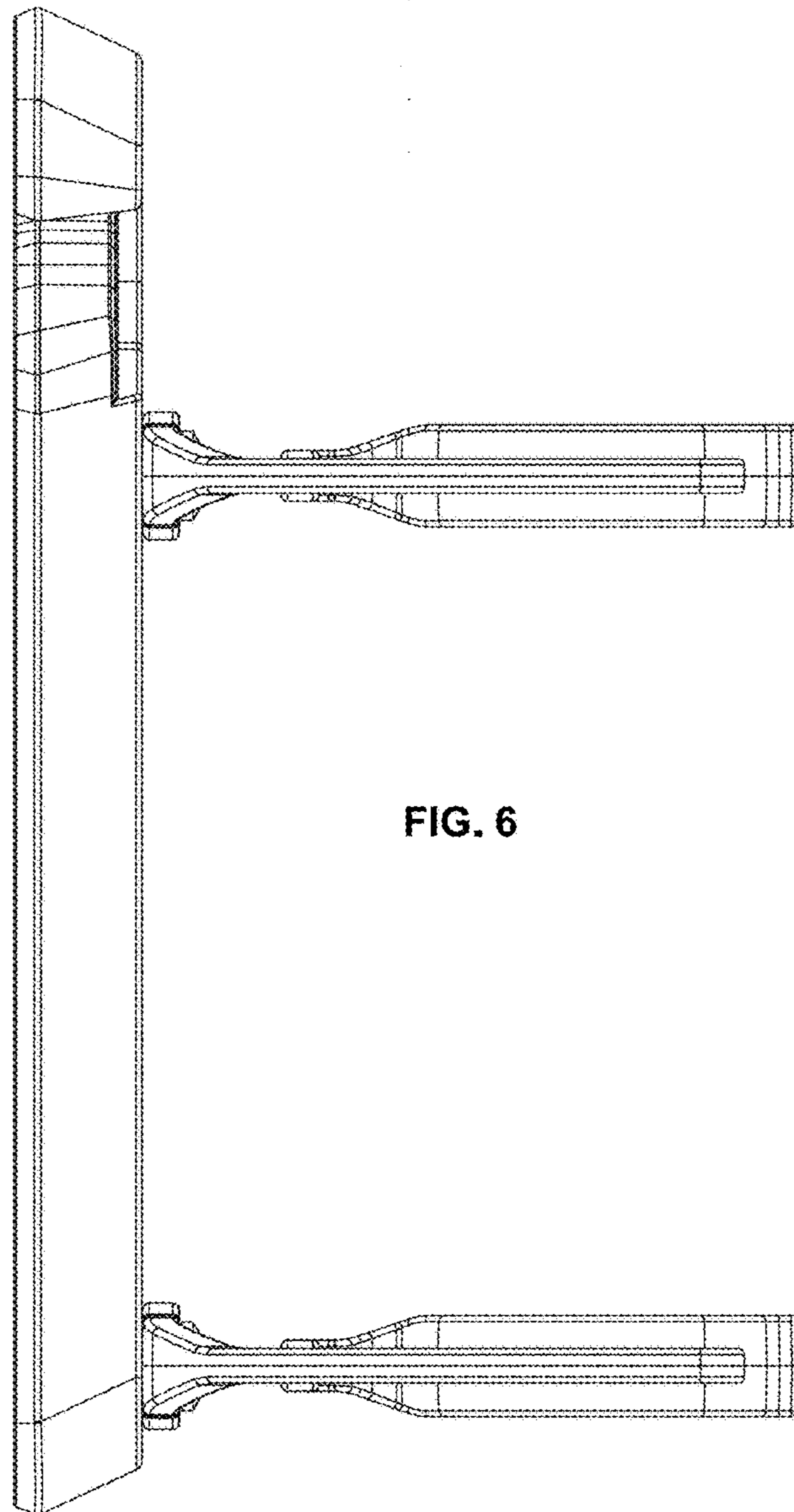


FIG. 5



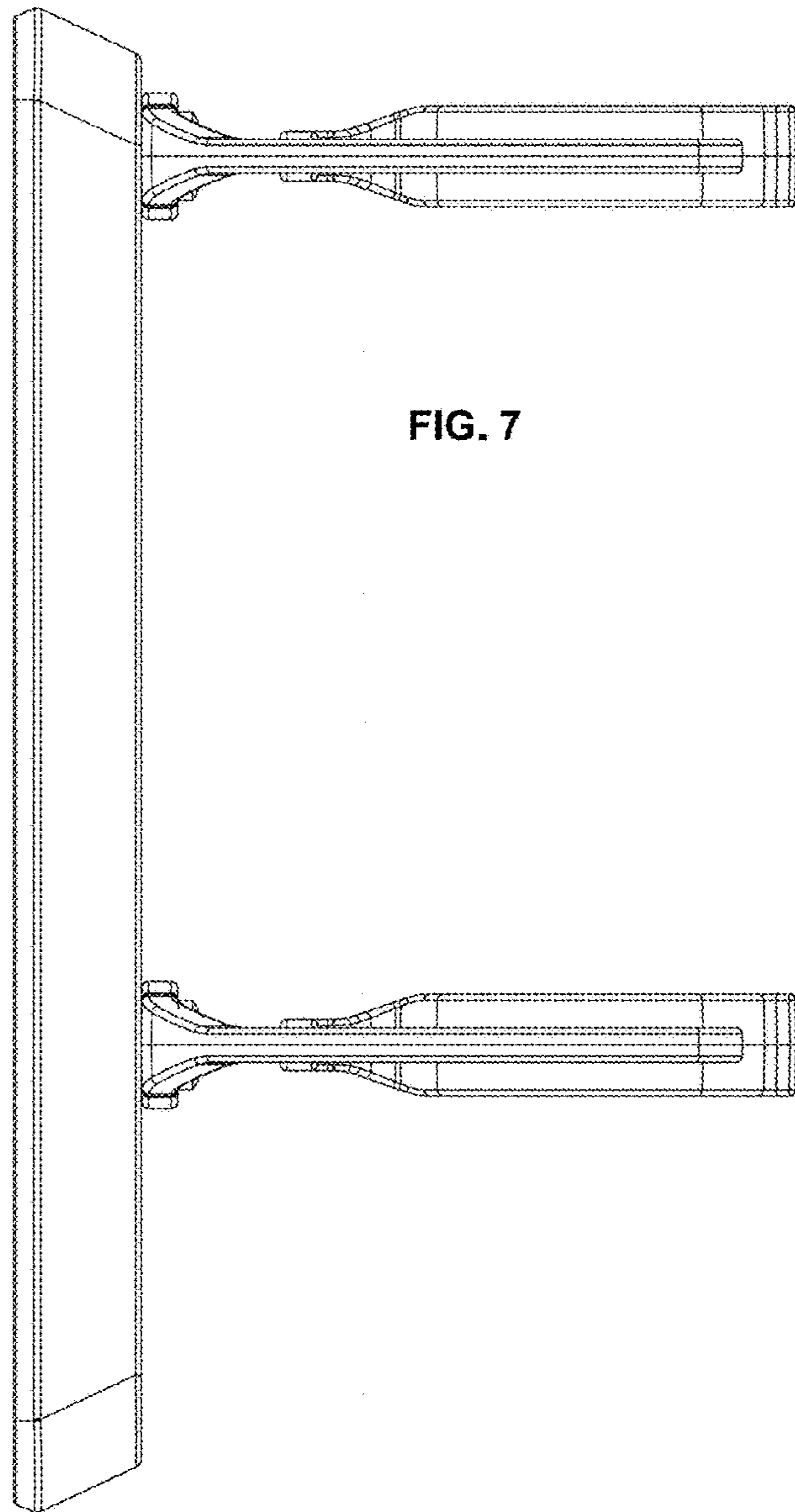


FIG. 7