



US00D854520S

(12) **United States Design Patent** (10) **Patent No.:** **US D854,520 S**
Tong (45) **Date of Patent:** **** Jul. 23, 2019**

(54) **HEADPHONES STAND AND BASE STATION**
(71) Applicant: **RAZER (ASIA-PACIFIC) PTE. LTD.,**
Singapore (SG)
(72) Inventor: **Ien Yu Tong, Johor (MY)**
(73) Assignee: **RAZER (ASIA-PACIFIC) PTE. LTD.,**
Singapore (SG)
(**) Term: **15 Years**

D642,121 S * 7/2011 Lee D13/108
D669,888 S * 10/2012 Gougherty D14/223
D673,571 S * 1/2013 Akana D14/447
D673,952 S * 1/2013 Toda D14/383
D690,137 S * 9/2013 Kikkert D6/672
D690,138 S * 9/2013 Kikkert D6/672
D692,420 S * 10/2013 McManigal D14/341
D723,572 S * 3/2015 Akana D14/447
D731,470 S * 6/2015 Terasawa D14/240
D765,623 S * 9/2016 Yang D14/224
D784,351 S * 4/2017 Akana D14/447

* cited by examiner

(21) Appl. No.: **29/669,701**
(22) Filed: **Nov. 9, 2018**

Primary Examiner — Katie Jane Stofko
(74) *Attorney, Agent, or Firm* — Polsinelli PC

Related U.S. Application Data

(62) Division of application No. 29/606,060, filed on Jun. 1, 2017.
(51) **LOC (11) Cl.** **14-01**
(52) **U.S. Cl.**
USPC **D14/224**
(58) **Field of Classification Search**
USPC D14/224–229; D16/244; D17/99;
D6/672, 681, 682; 248/125.1, 166, 185.1;
381/355, 359, 361–363, 365, 366, 369,
381/375; 379/428.01, 428.04, 431,
379/433.03
CPC . H04R 25/00; H04R 1/02; H04R 5/02; H04R
9/08; F16M 11/38; F16M 13/00; F16M
11/00
See application file for complete search history.

(57) **CLAIM**

I claim the ornamental design for a headphones stand and base station, as shown and described.

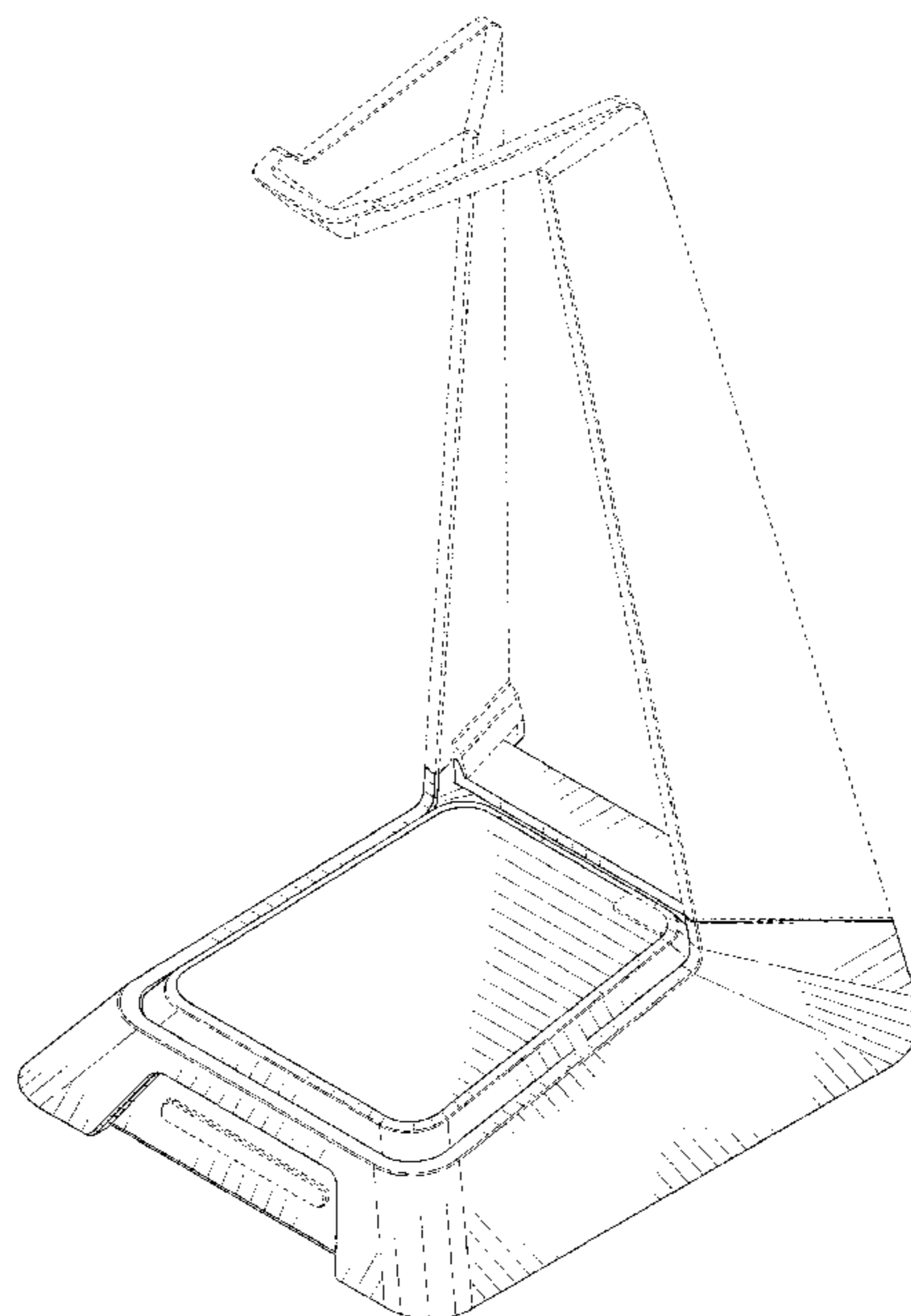
DESCRIPTION

FIG. 1 is a perspective view of a headphones stand and base station, showing my new design;
FIG. 2 is a front elevational view thereof;
FIG. 3 is a rear elevational view thereof;
FIG. 4 is a left side elevational view thereof;
FIG. 5 is a right side elevational view thereof;
FIG. 6 is a top plan view thereof; and,
FIG. 7 is a bottom plan view thereof.
The broken lines in FIGS. 1-7 illustrate portions of the headphones stand and base station that form no part of the claimed design.

(56) **References Cited**
U.S. PATENT DOCUMENTS

D489,323 S * 5/2004 Yoshida D13/108
D607,879 S * 1/2010 Ferber D13/108

1 Claim, 7 Drawing Sheets



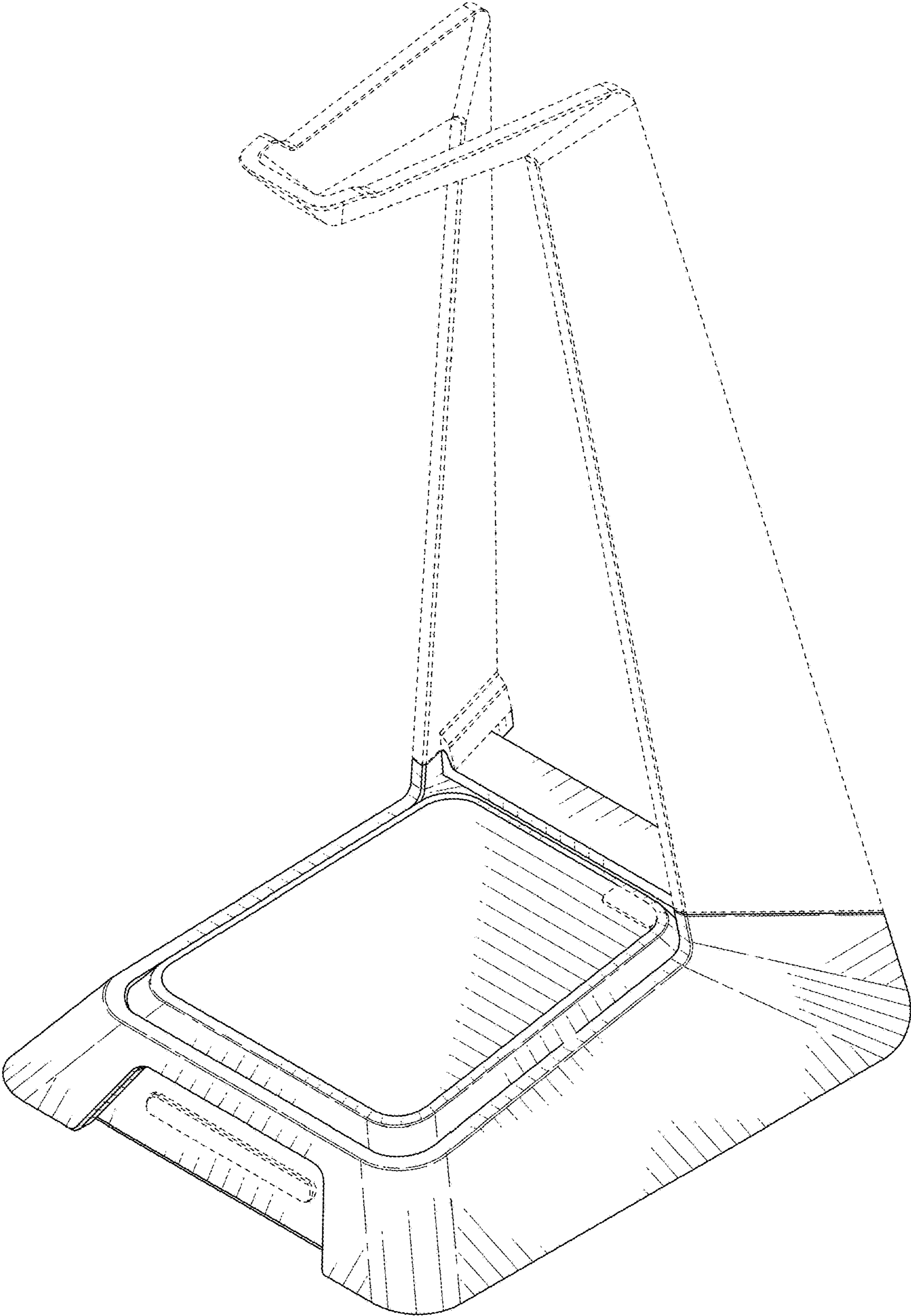


FIG. 1

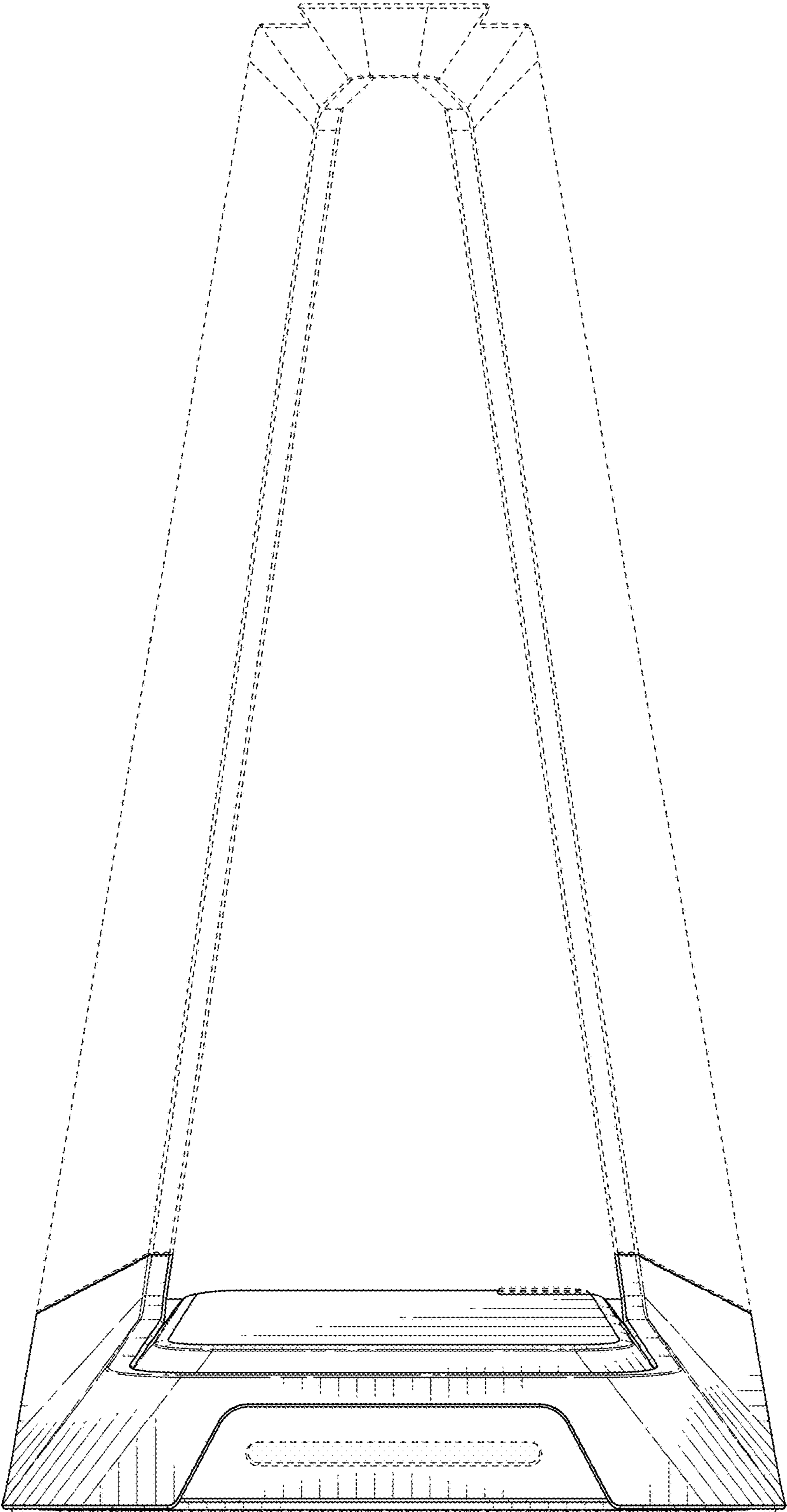


FIG. 2

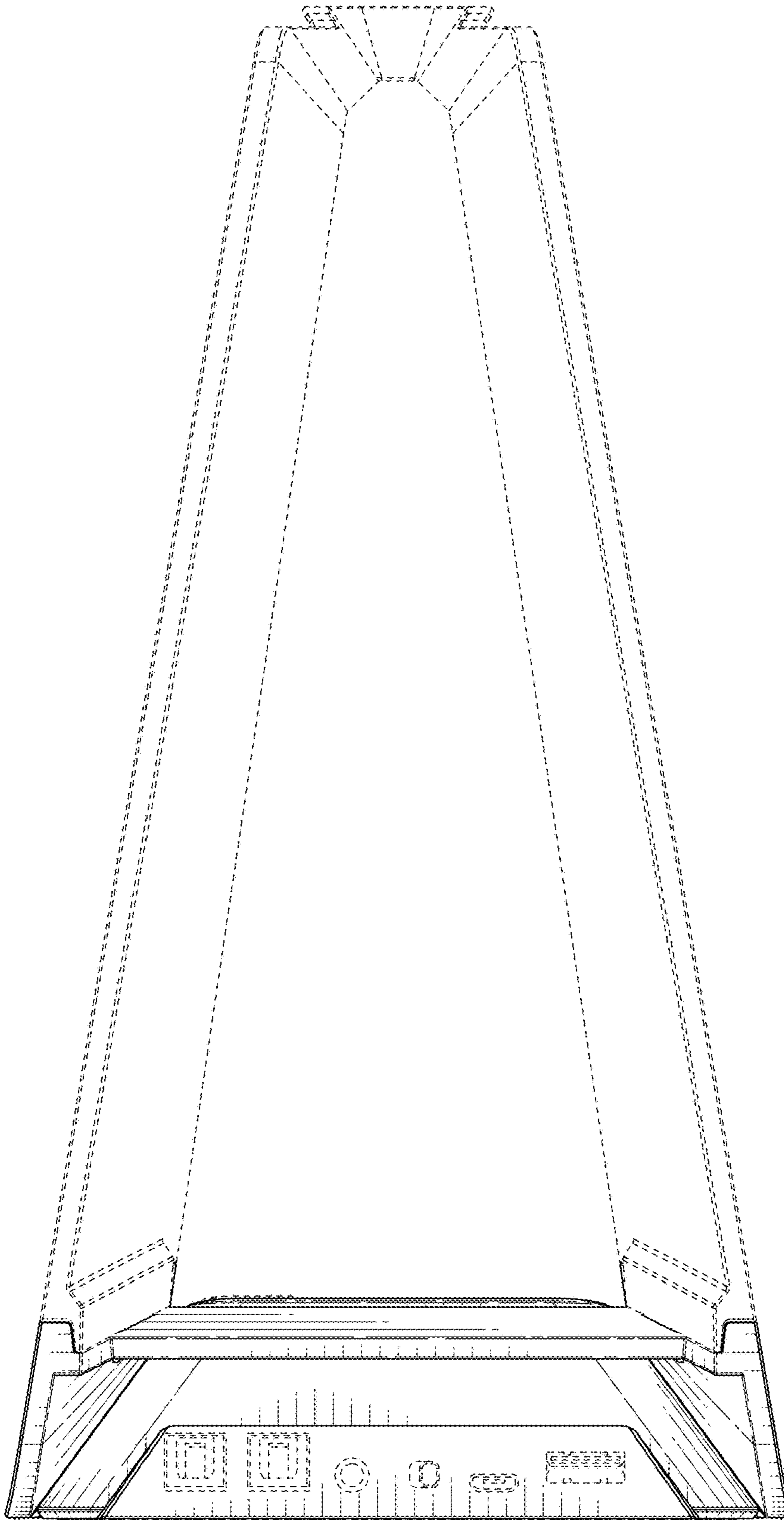


FIG. 3

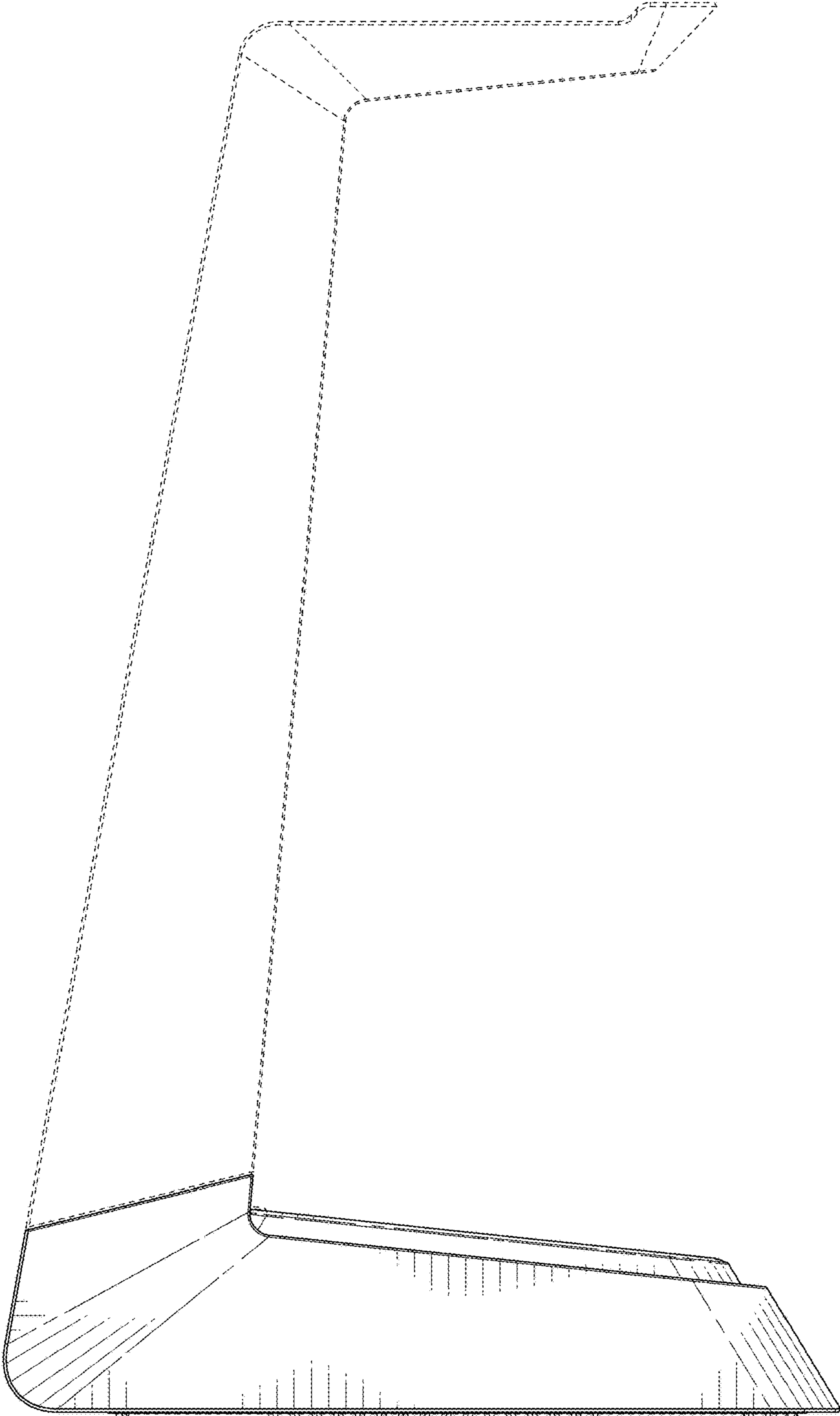


FIG. 4

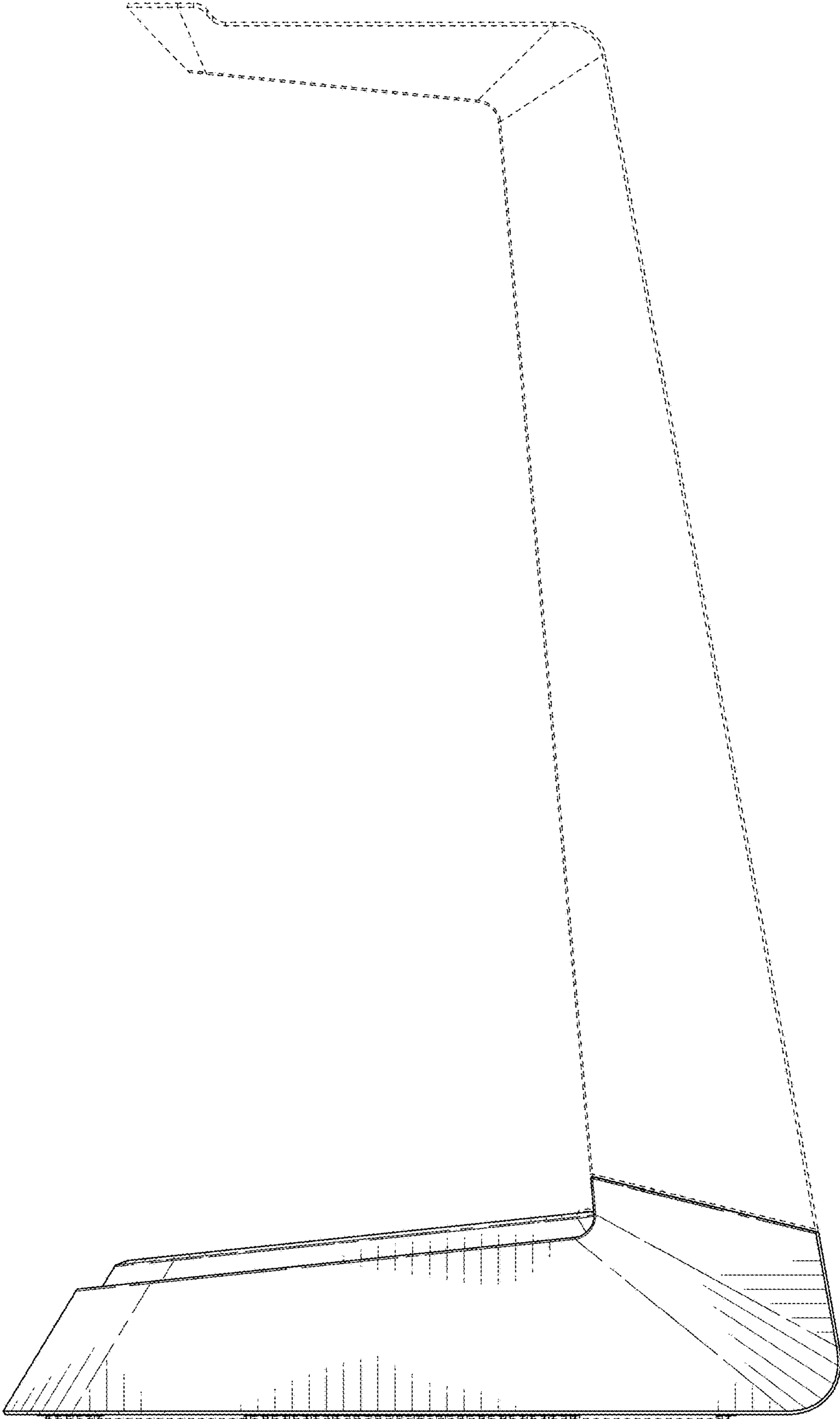


FIG. 5

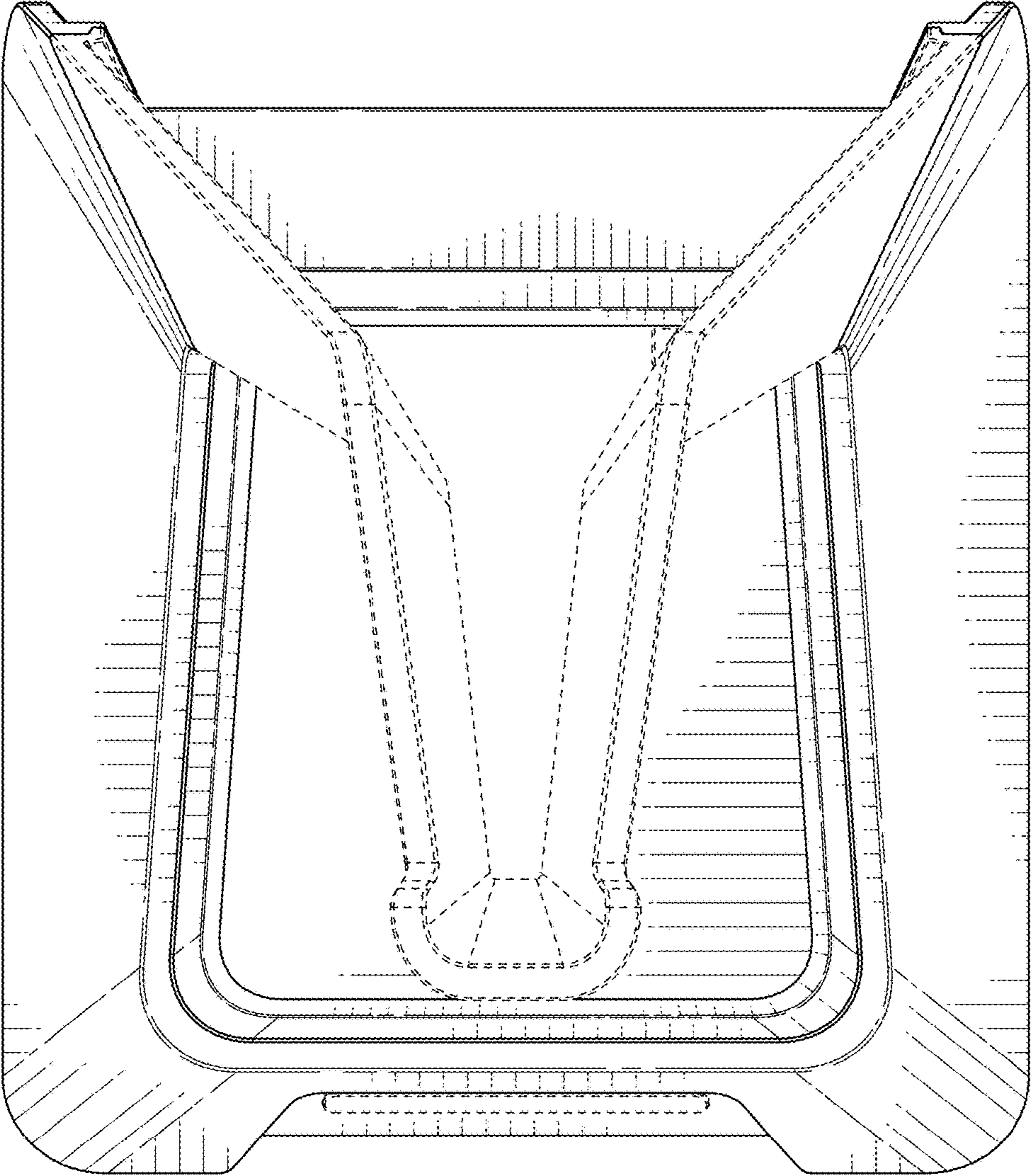


FIG. 6

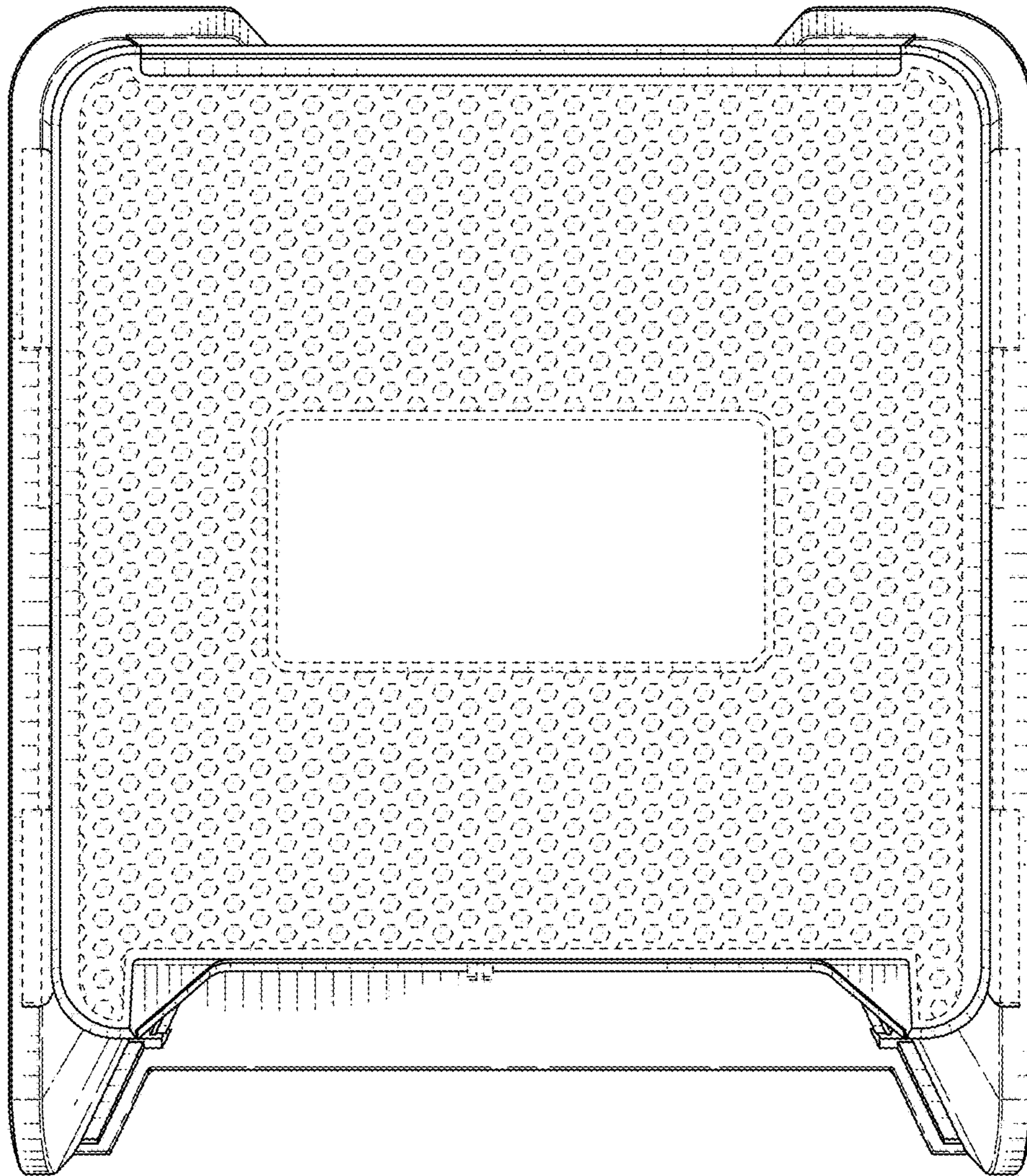


FIG. 7