



US00D854519S

(12) **United States Design Patent** (10) **Patent No.:** **US D854,519 S**  
**Bidwell et al.** (45) **Date of Patent:** **\*\* Jul. 23, 2019**

(54) **HEADSET**

FOREIGN PATENT DOCUMENTS

(71) Applicant: **Hand Held Products, Inc.**, Fort Mill, SC (US)

EM 1456537 A1 4/2017  
EM 1456552 A1 4/2017

(Continued)

(72) Inventors: **Dean J. Bidwell**, Renton, WA (US); **John S. Bandringa**, Everett, WA (US); **Roger Jackson**, Lake Forest Park, WA (US); **Tim Zurmoehle**, Seattle, WA (US); **William Herweh, III**, Seattle, WA (US); **Churu Yun**, Seattle, WA (US); **Mark Oberpriller**, Peachtree Corners, GA (US); **Matthew McElvogue**, Seattle, WA (US); **Rajat Shail**, Chicago, IL (US); **Brian Moy**, Arden Hills, MN (US)

OTHER PUBLICATIONS

Bidwell et al. "Printer", Design U.S. Appl. No. 29/572,909, filed Aug. 1, 2016, 51 pages, [Not yet published/granted].

(Continued)

*Primary Examiner* — Barbara Fox

*Assistant Examiner* — Messina L Smith

(74) *Attorney, Agent, or Firm* — Additon, Higgins & Pendleton, P.A.

(73) Assignee: **Hand Held Products, Inc.**, Fort Mills, SC (US)

(\*\*) Term: **15 Years**

(57) **CLAIM**

(21) Appl. No.: **29/642,714**

The ornamental design for a headset, as shown and described.

(22) Filed: **Apr. 2, 2018**

**Related U.S. Application Data**

**DESCRIPTION**

(63) Continuation of application No. 29/572,887, filed on Aug. 1, 2016, now Pat. No. Des. 815,066.

(51) **LOC (11) Cl.** ..... **14-01**

(52) **U.S. Cl.**  
USPC ..... **D14/223**

(58) **Field of Classification Search**  
USPC ..... D14/205–206, 223, 225, 372, 433;  
D29/112; D24/173–174

(Continued)

FIG. 1 is a front, left perspective view of a headset, showing the new design.

FIG. 2 is a front, right perspective view of the headset of FIG. 1.

FIG. 3 is a front elevation view of the headset of FIG. 1.

FIG. 4 is a rear elevation view of the headset of FIG. 1.

FIG. 5 is a left elevation view of the headset of FIG. 1.

FIG. 6 is a right elevation view of the headset of FIG. 1.

FIG. 7 is a top plan view of the headset of FIG. 1; and,

FIG. 8 is a bottom plan view of the headset of FIG. 1.

The evenly-spaced broken lines in the drawings depict portions of the headset. The short-long broken lines in the drawings depict bounds of the claimed design. The evenly-spaced broken lines and the short-long broken lines form no part of the claimed design.

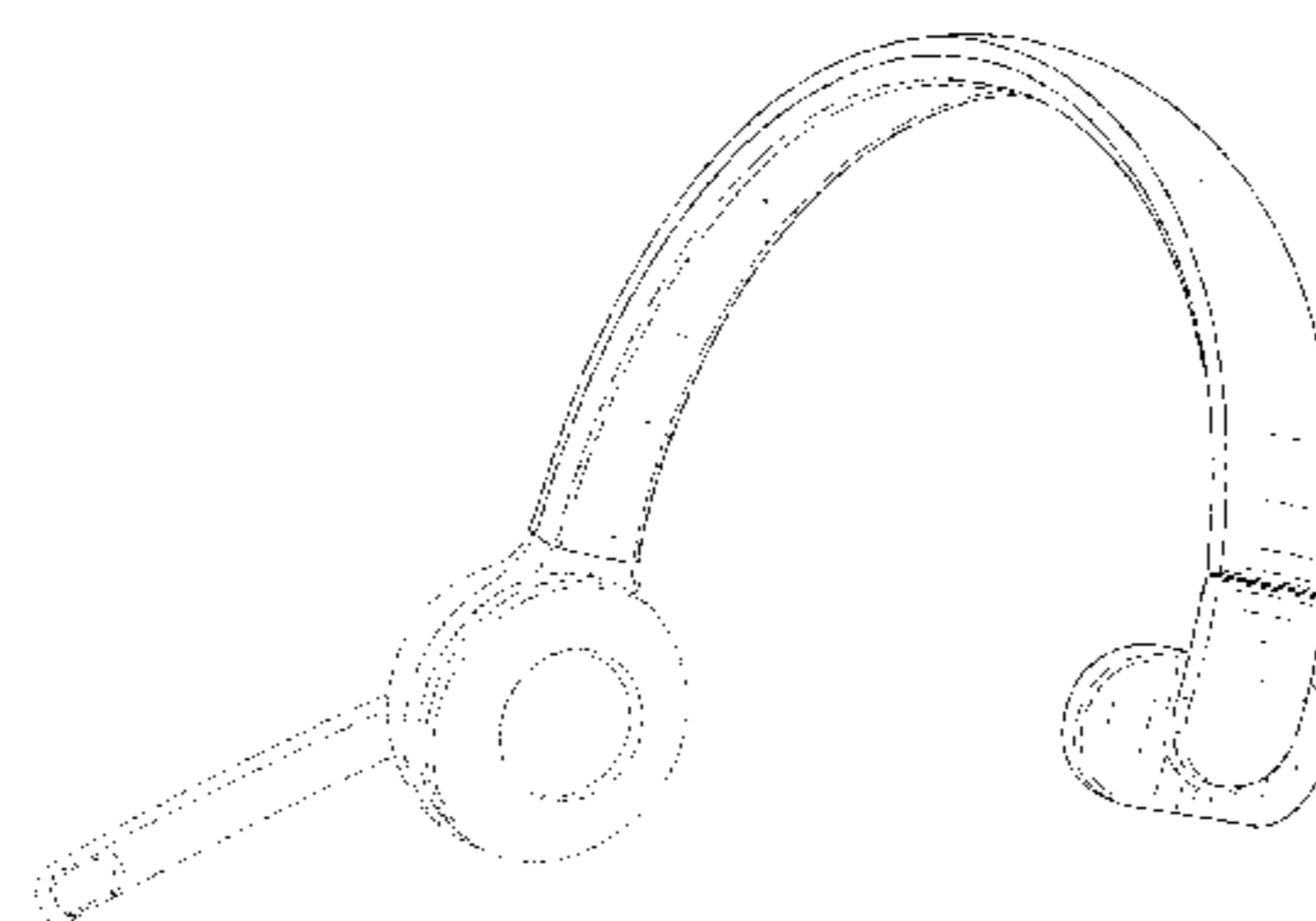
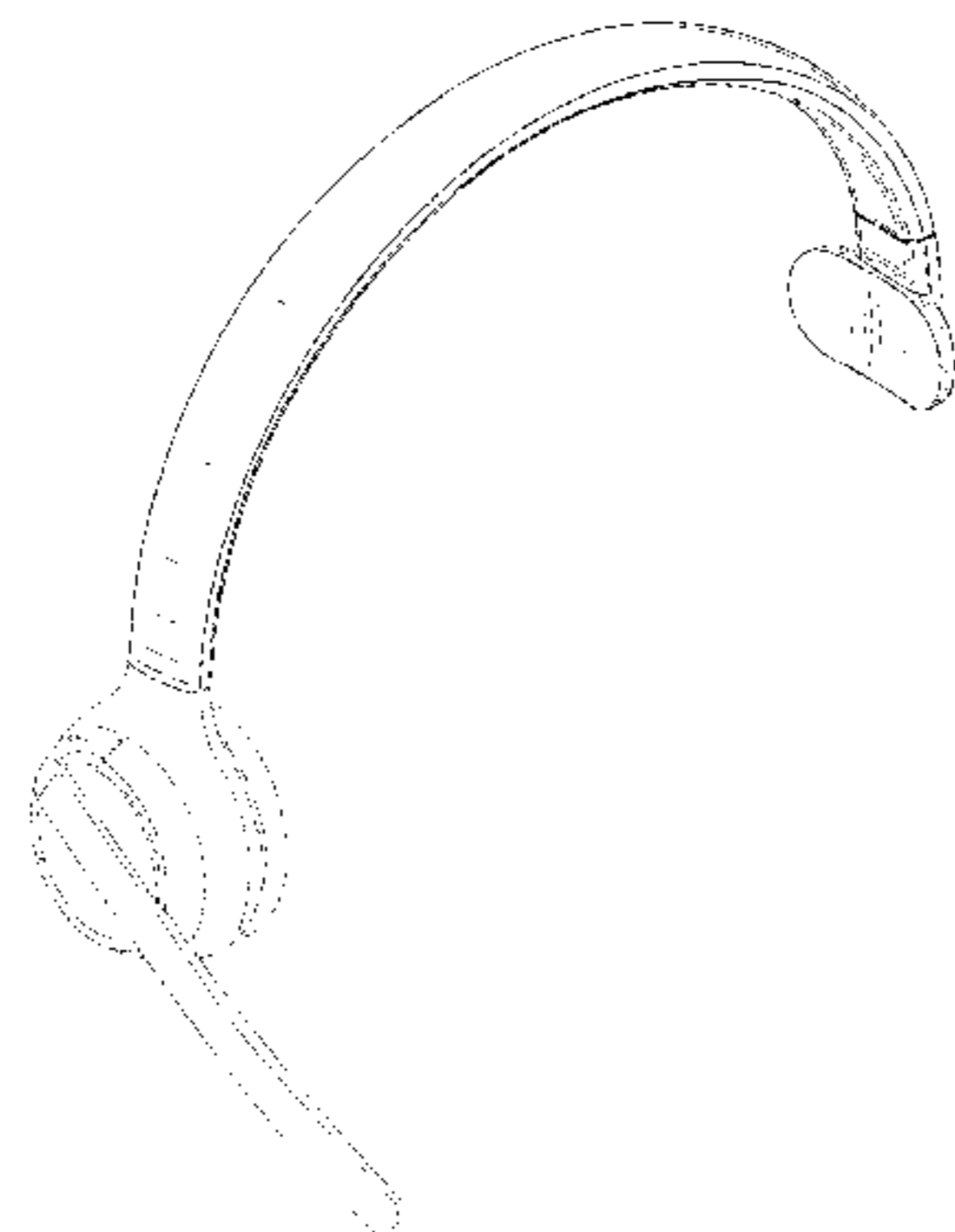
(56) **References Cited**

U.S. PATENT DOCUMENTS

6,952,481 B2 \* 10/2005 Larsen ..... H04M 1/05  
379/430  
7,190,330 B2 \* 3/2007 Travers ..... G02B 27/0176  
345/7

(Continued)

**1 Claim, 8 Drawing Sheets**



(58) **Field of Classification Search**

CPC ..... H04R 1/10; H04R 1/1016; H04R 1/1066;  
H04R 1/105; H04R 1/1033; H04R 1/08;  
H04R 5/033; H04R 5/0335; H04R 25/00

See application file for complete search history.

2011/0275323 A1 11/2011 Goldman et al.  
2011/0306393 A1 12/2011 Goldman et al.  
2012/0163616 A1 6/2012 Birch  
2018/0047410 A1\* 2/2018 Von Bulow ..... G10L 21/0232

(56) **References Cited**

U.S. PATENT DOCUMENTS

D603,371 S 11/2009 Boateng  
D638,000 S 5/2011 Hoggarth  
D641,337 S 7/2011 Brandis  
D648,330 S 11/2011 Fischer  
D684,145 S 6/2013 Rath  
D716,258 S 10/2014 Awiszus et al.  
D716,259 S 10/2014 Awiszus et al.  
D716,760 S 11/2014 Brunner  
D716,762 S 11/2014 Greve  
D717,767 S 11/2014 Mistry  
D719,135 S 12/2014 Kelley  
D722,041 S 2/2015 Sparks  
D732,002 S 6/2015 Goransson  
9,608,356 B2 3/2017 Kann  
9,706,281 B2 7/2017 Hernandez  
9,729,958 B2\* 8/2017 Jaques ..... H04R 1/1041  
9,749,728 B2\* 8/2017 Wolf ..... H04R 1/10  
9,813,799 B2\* 11/2017 Gecawicz ..... H04R 1/083  
D806,676 S\* 1/2018 Fuglsang ..... D14/206  
D815,066 S 4/2018 Bidwell et al.  
9,936,278 B1\* 4/2018 McGary ..... H04R 1/1041  
D818,458 S\* 5/2018 Lee ..... D14/223  
D820,812 S\* 6/2018 Bidwell ..... D14/206  
D822,638 S\* 7/2018 Liu ..... D14/206  
10,074,355 B2\* 9/2018 Goldman ..... H04R 1/1041  
D830,339 S\* 10/2018 Yan ..... D14/206  
2001/0039136 A1 11/2001 Vicamini et al.  
2011/0085693 A1 4/2011 Jensen  
2011/0228925 A1 9/2011 Birch

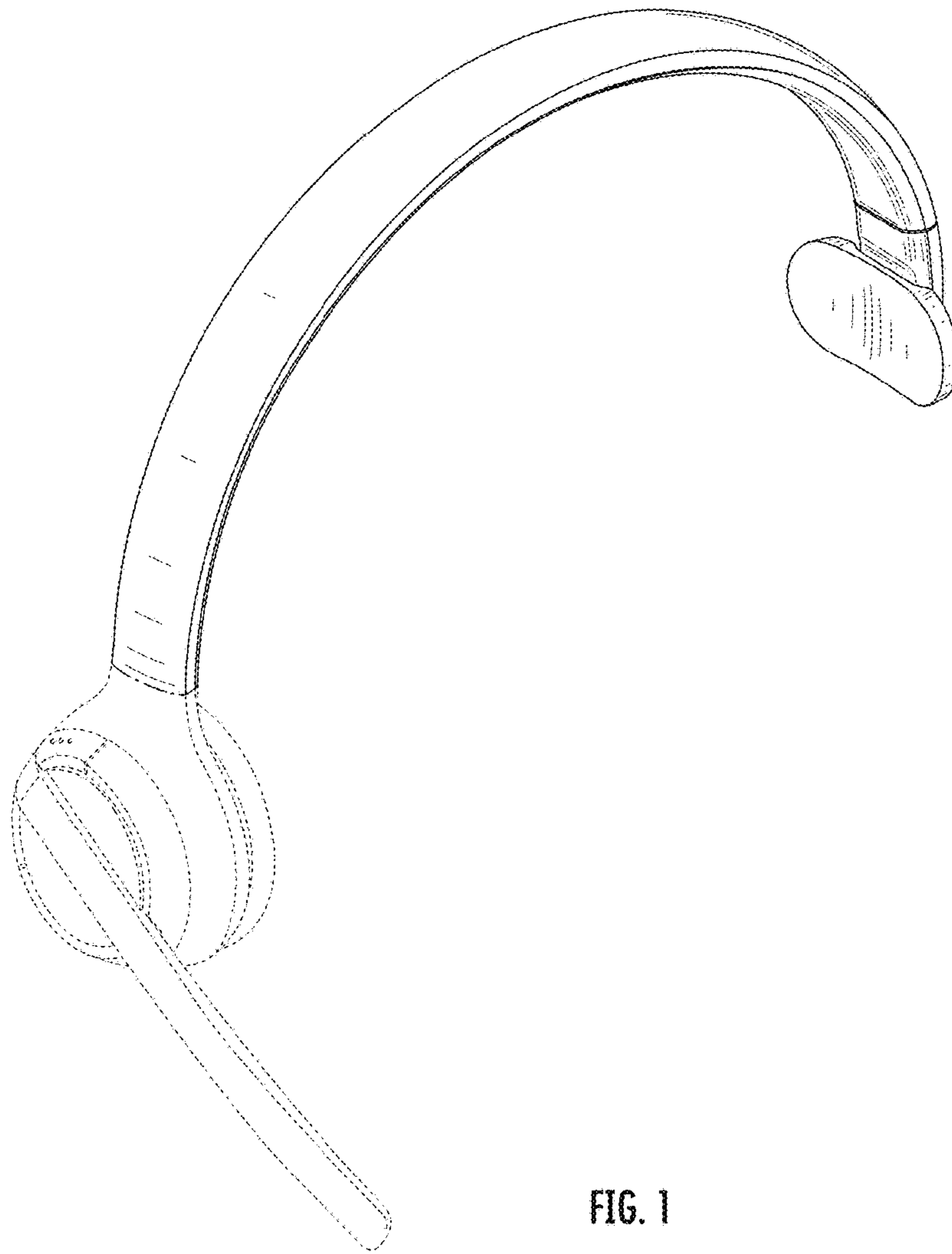
FOREIGN PATENT DOCUMENTS

EM 1456560 A1 4/2017  
EM 1456578 A1 4/2017  
EM 1456586 A1 4/2017  
EM 1456628 A1 5/2017  
EP 2178275 A1\* 4/2010 ..... H04R 1/083  
EP 2178275 A1 4/2010

OTHER PUBLICATIONS

Bidwell et al., "Headset", Design U.S. Appl. No. 29/572,890, filed Aug. 1, 2016, 65 pages, [Not yet published/granted].  
Memke et al. "Optical Scanner", Design U.S. Appl. No. 29/572,896, filed Aug. 1, 2016, 57 pages, [Not yet published/granted].  
Memke et al. "Optical Scanner", Design U.S. Appl. No. 29/572,898, filed Aug. 1, 2016, 57 pages, [Not yet published/granted].  
Memke et al. "Optical Scanner and Base", Design U.S. Appl. No. 29/572,902, filed Aug. 1, 2016, 57 pages, [Not yet published/granted].  
Bidwell et al. "Optical Scanner", Design U.S. Appl. No. 29/572,904, filed Aug. 1, 2016, 84 pages, [Not yet published/granted].  
Bidwell et al. "Optical Scanner and Handle", Design U.S. Appl. No. 29/572,907, filed Aug. 1, 2016, 130 pages, [Not yet published/granted].  
Plantronics Voyager Focus UC B825—headset—UC Standard version, posted at CDW.com, copyright 2007-2017.  
Plantronics EncorePro HW520 Over-the-Head stereo Headset with Microphone, Black, posted at Staples.com on Jan. 28, 2016.  
Plantronics M214C Headset for Cordless Telephones, posted at Staples.com, on Jan. 18, 2011.

\* cited by examiner



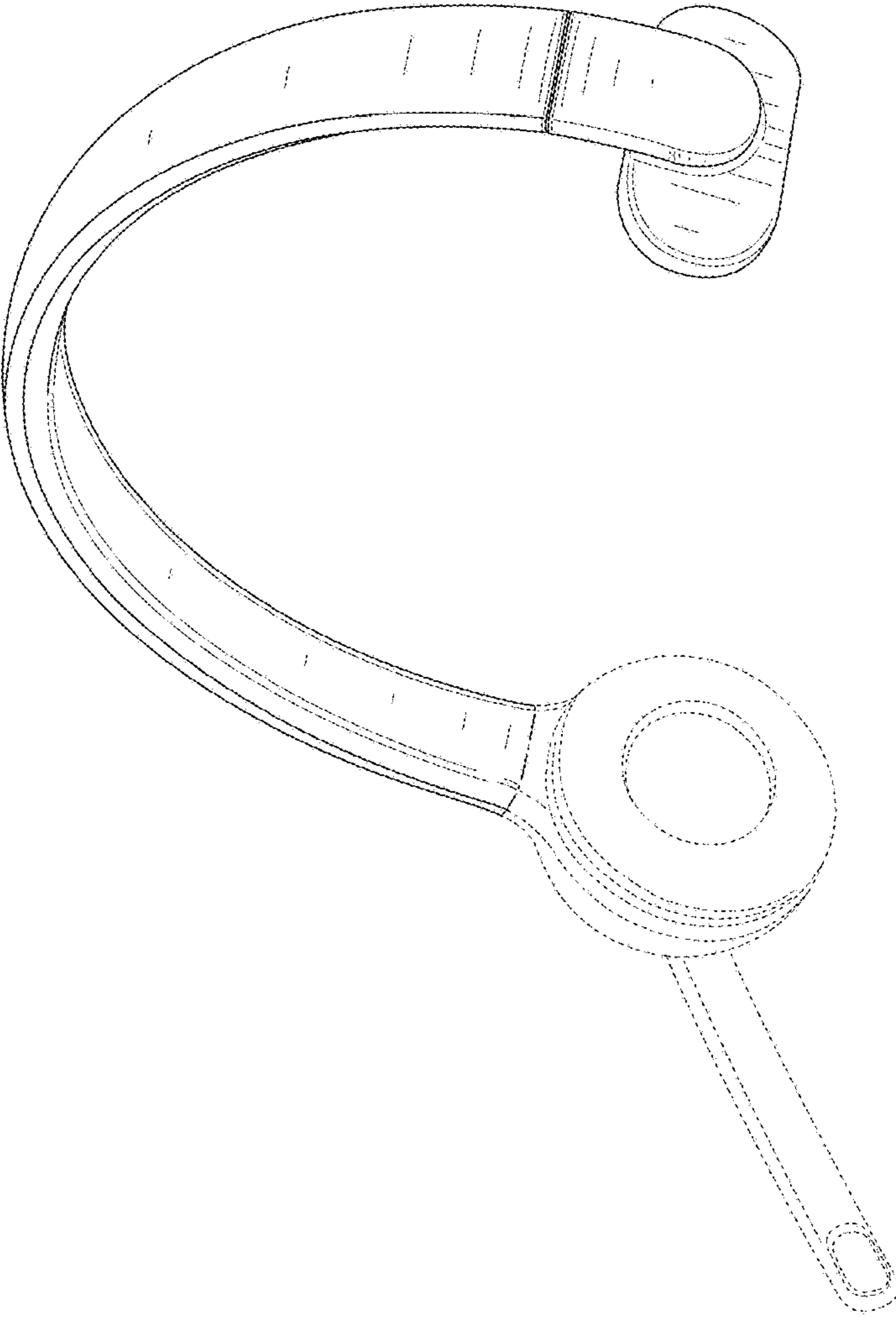


FIG. 2

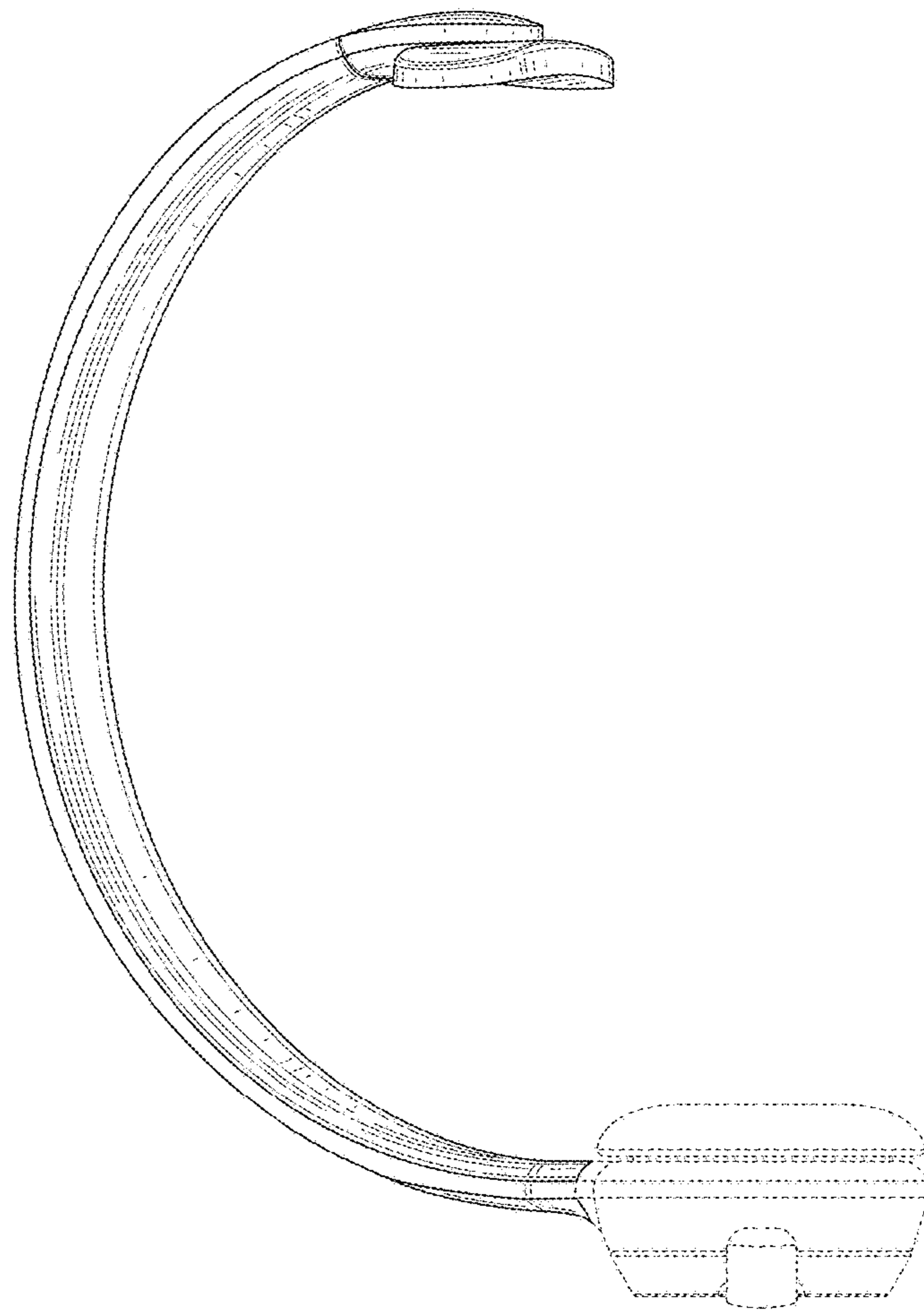


FIG. 3

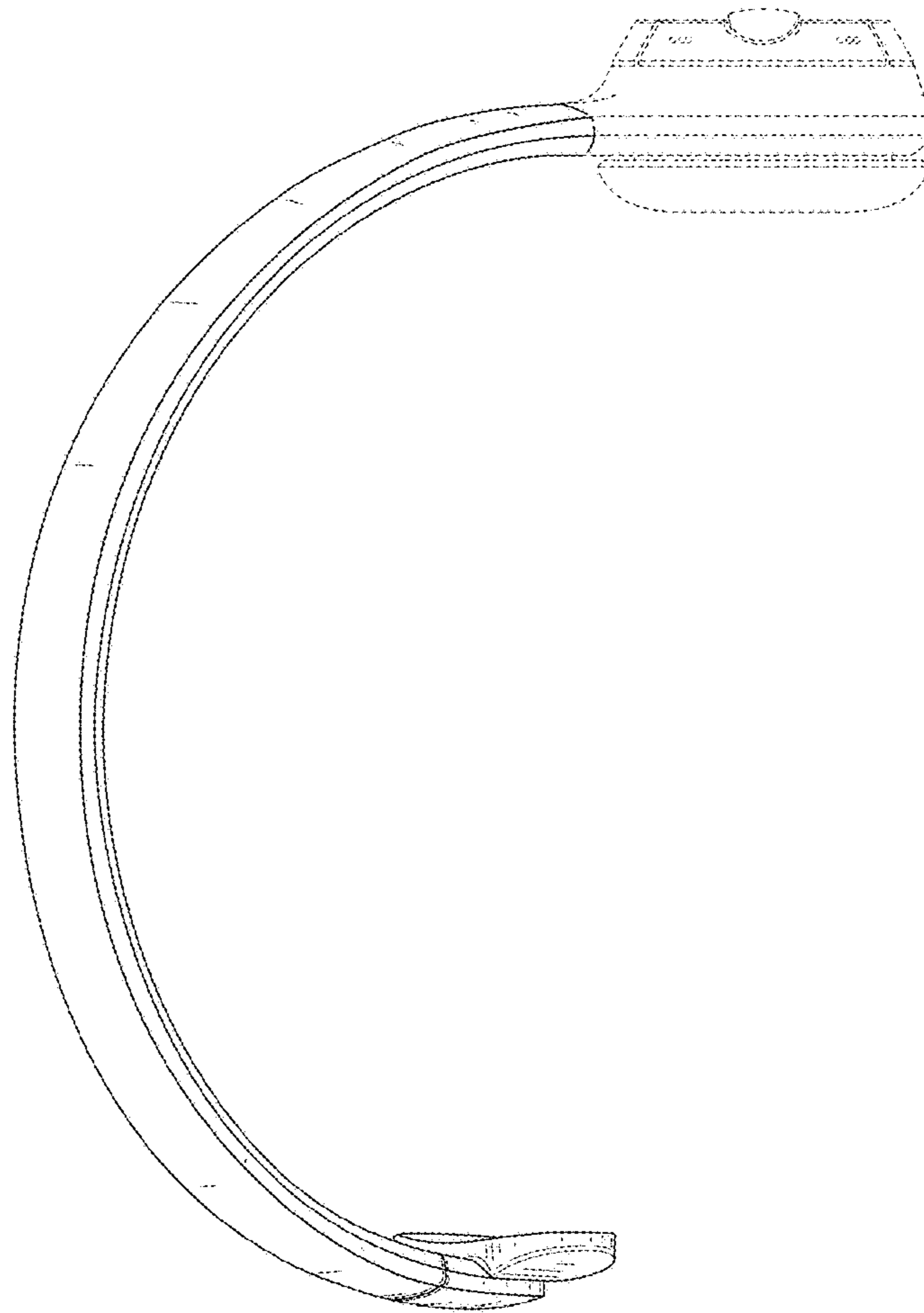


FIG. 4

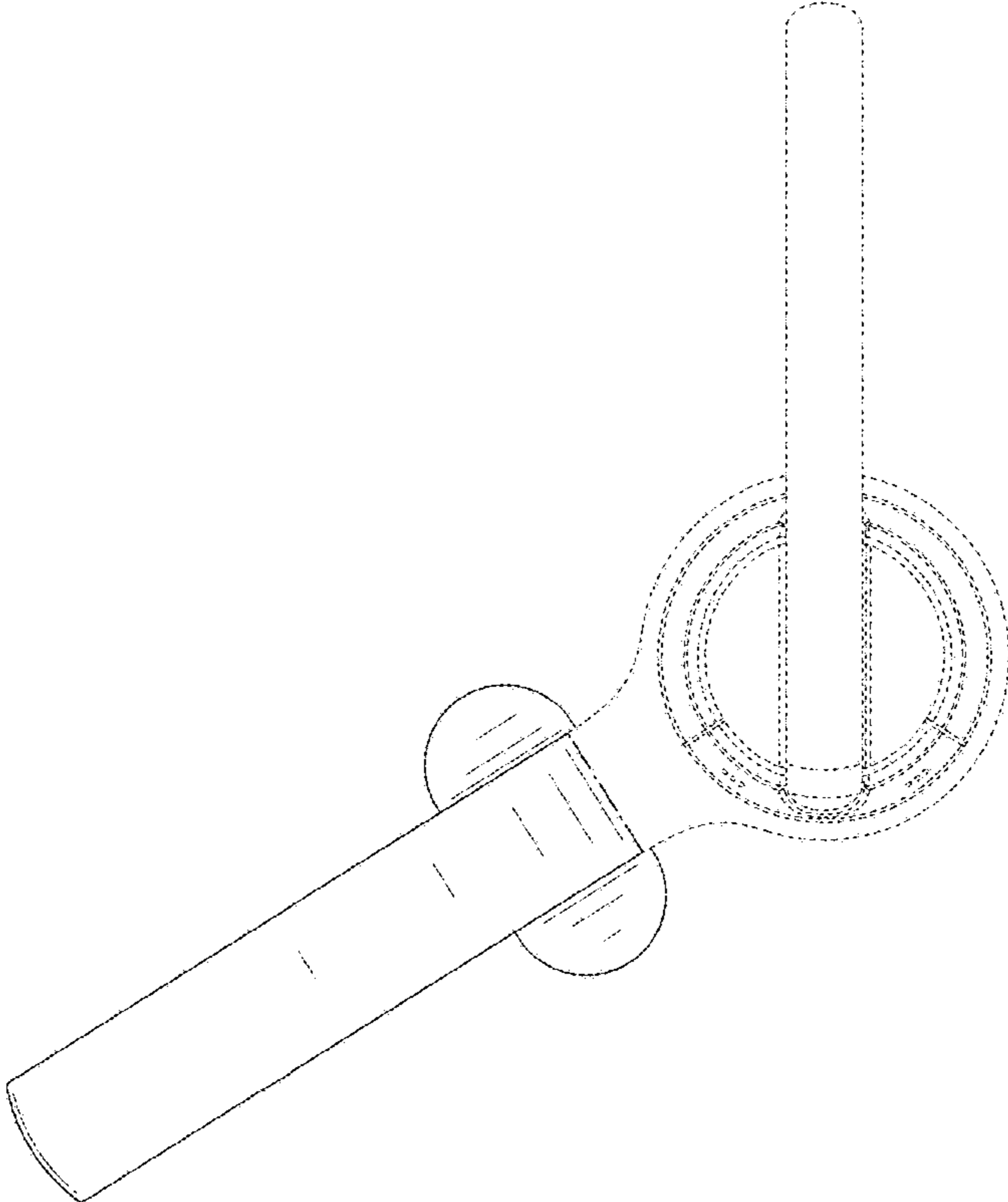


FIG. 5

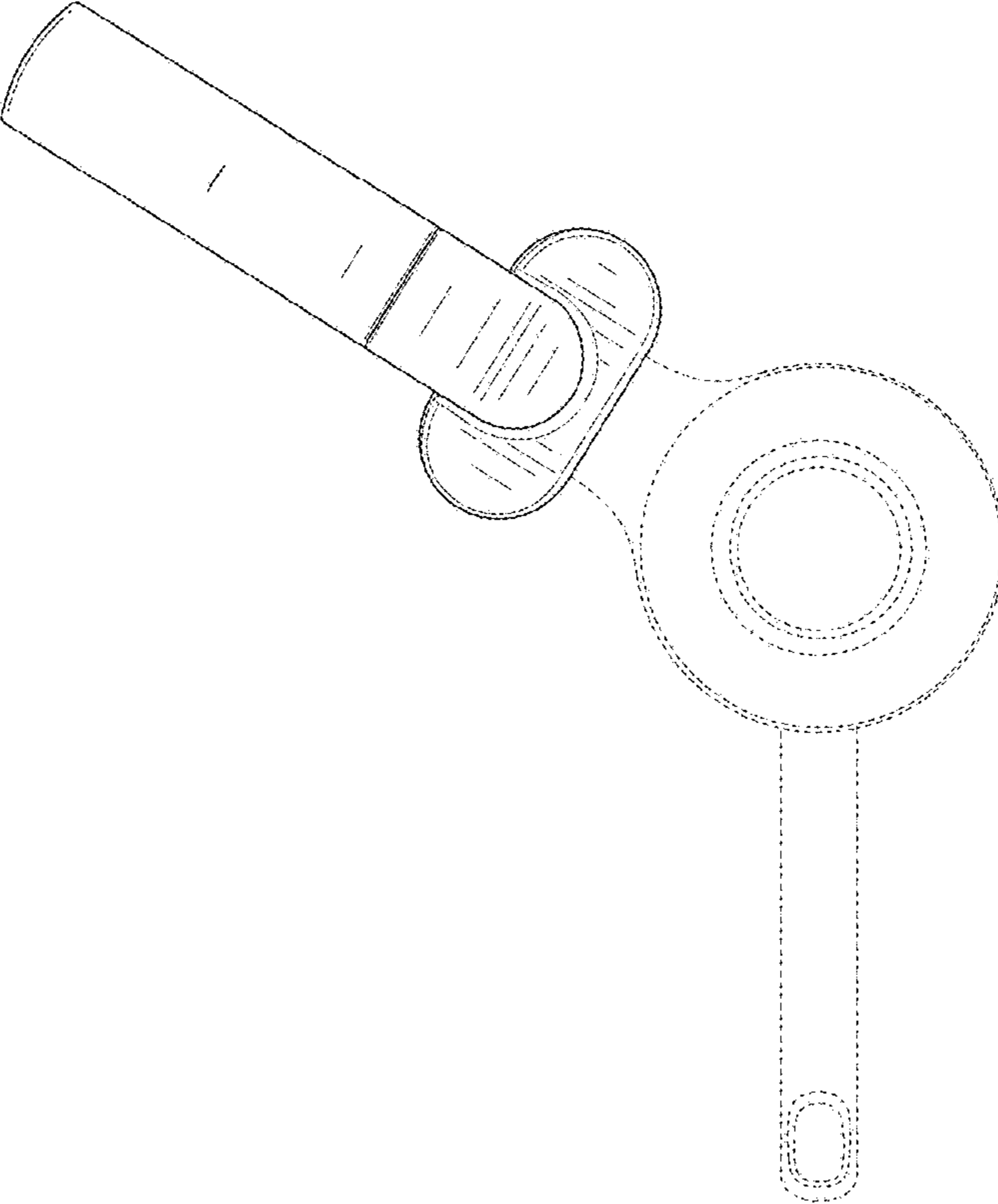


FIG. 6



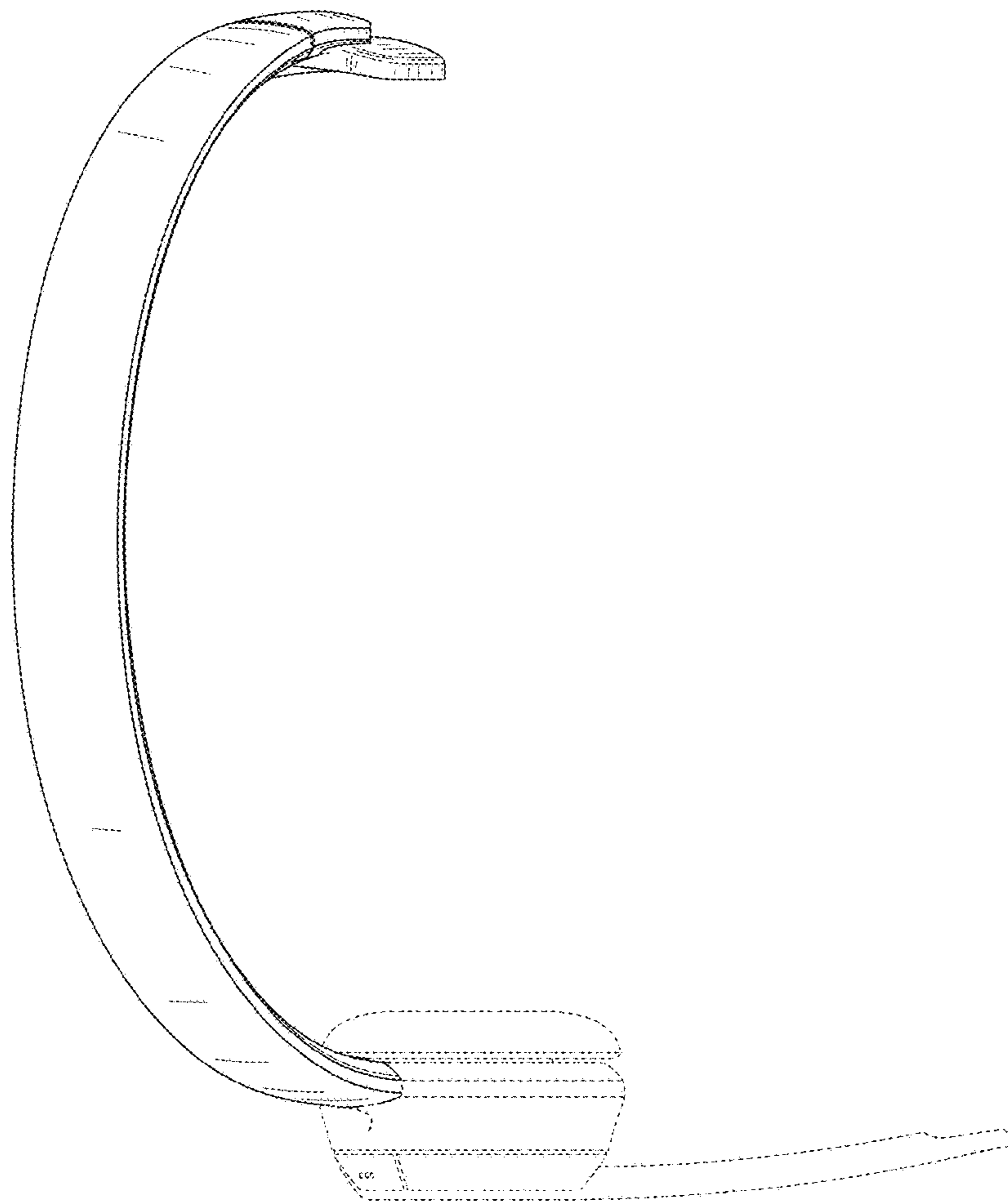


FIG. 7

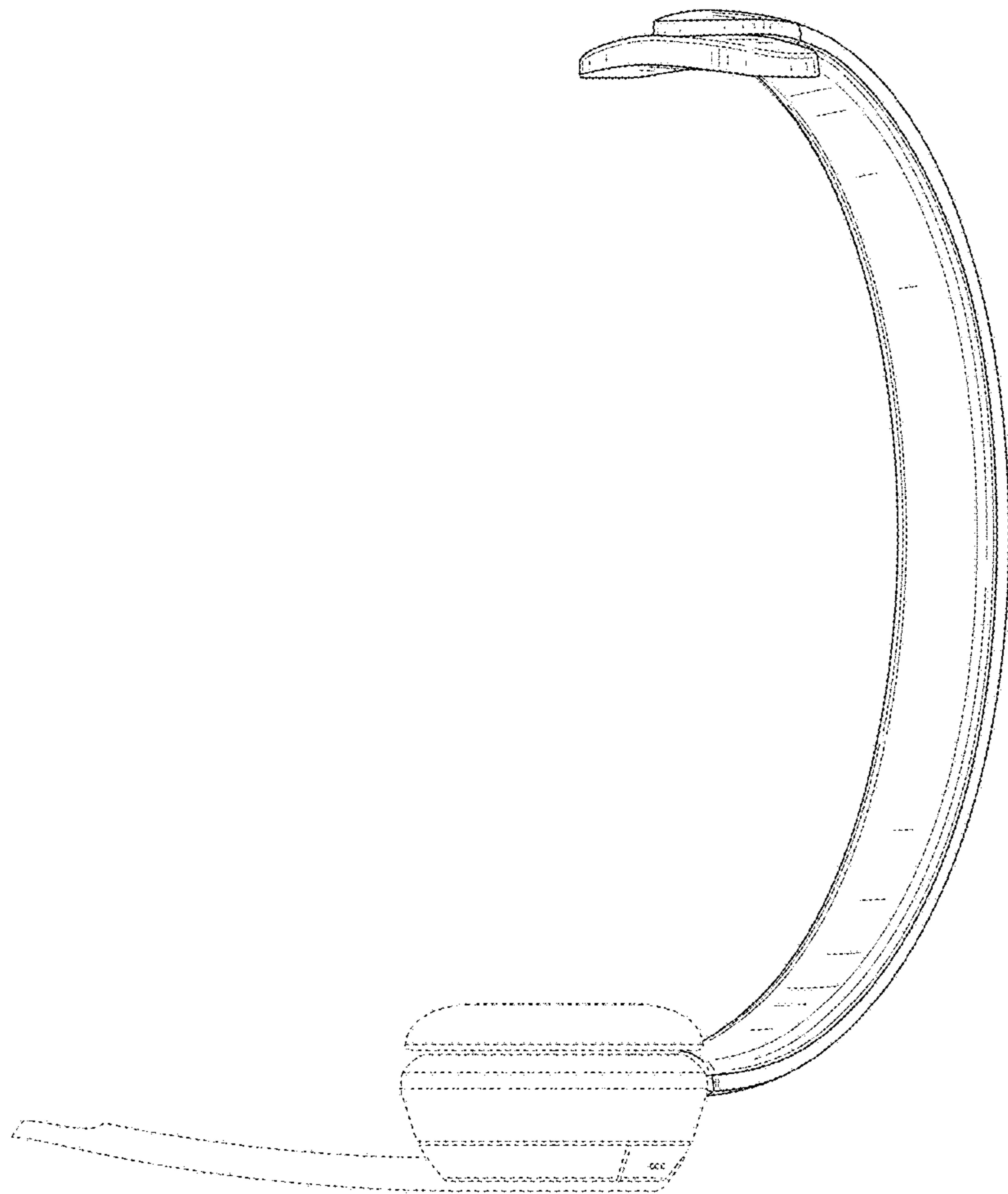


FIG. 8